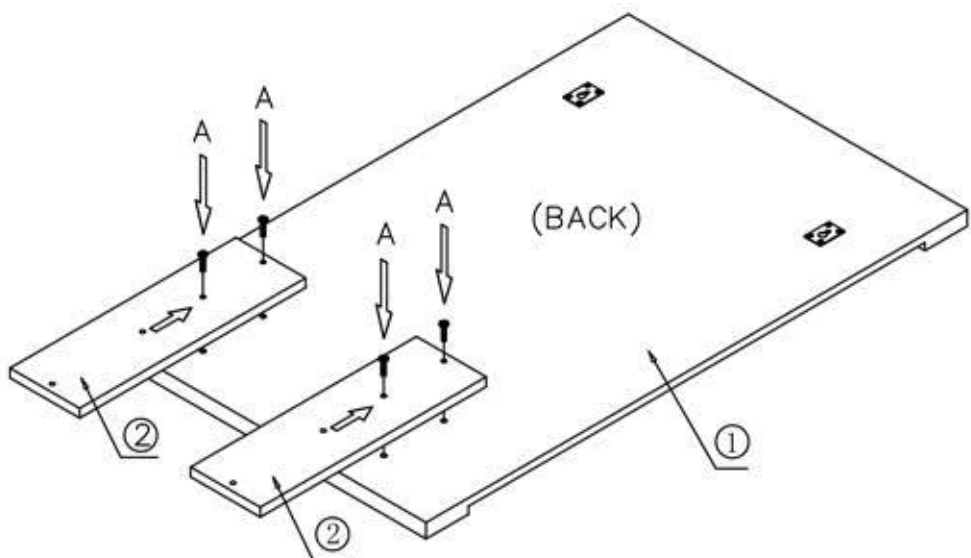



STEP1

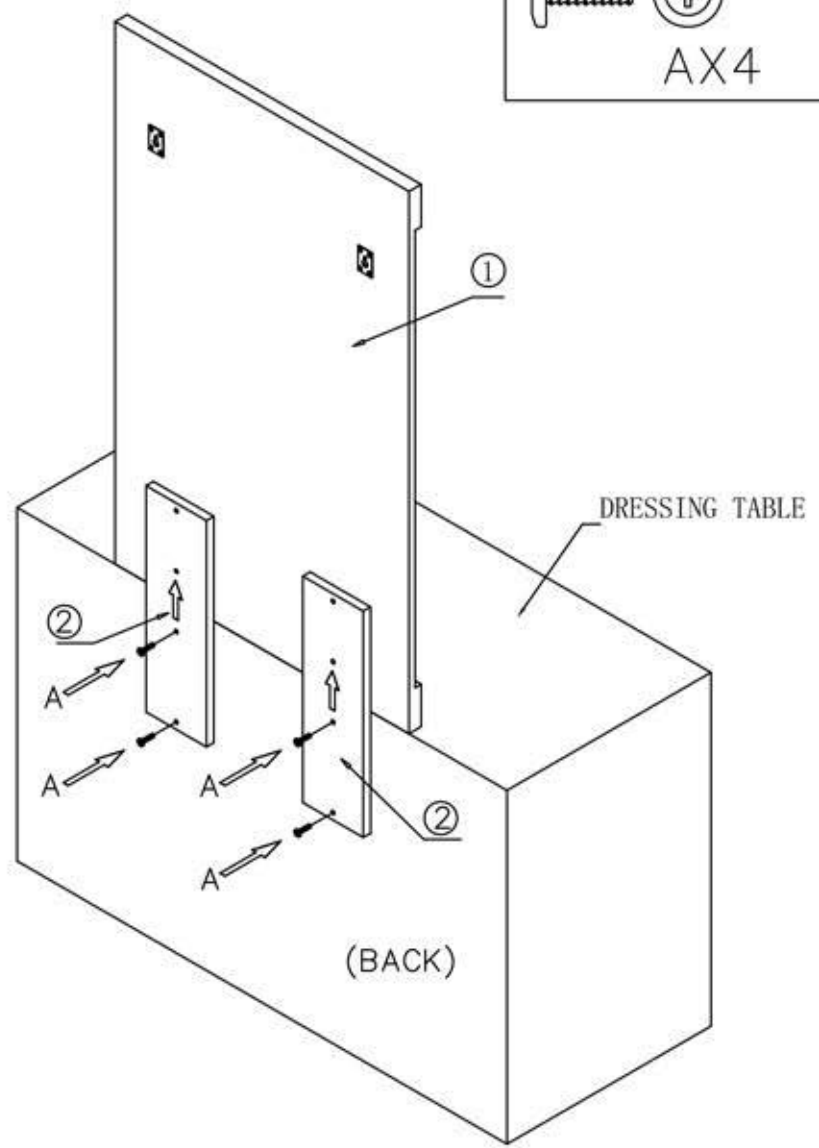


(METHOD 1)

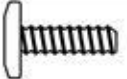



 Please use a soft mat to avoid damaging during assembly

STEP2

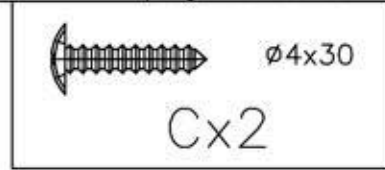
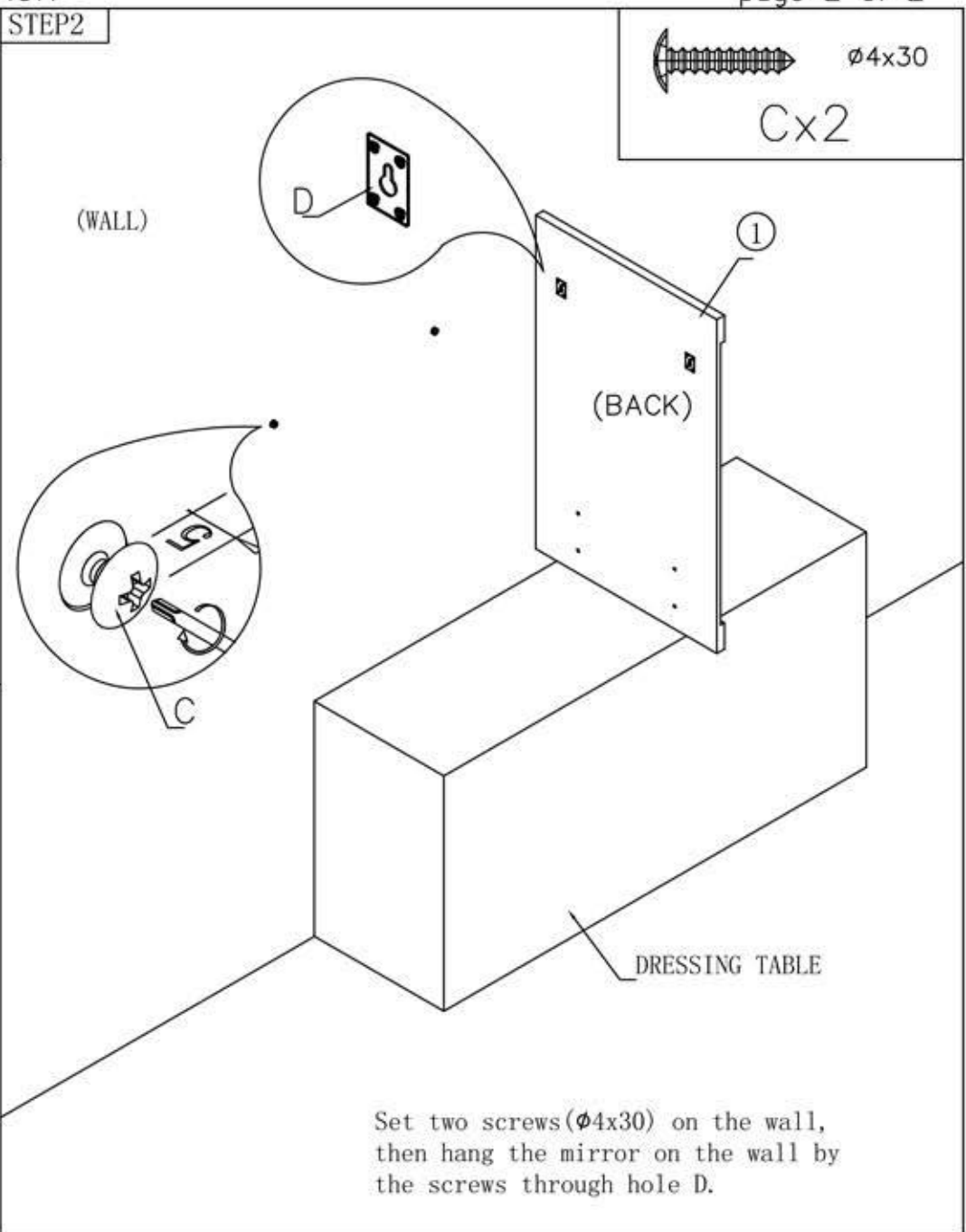
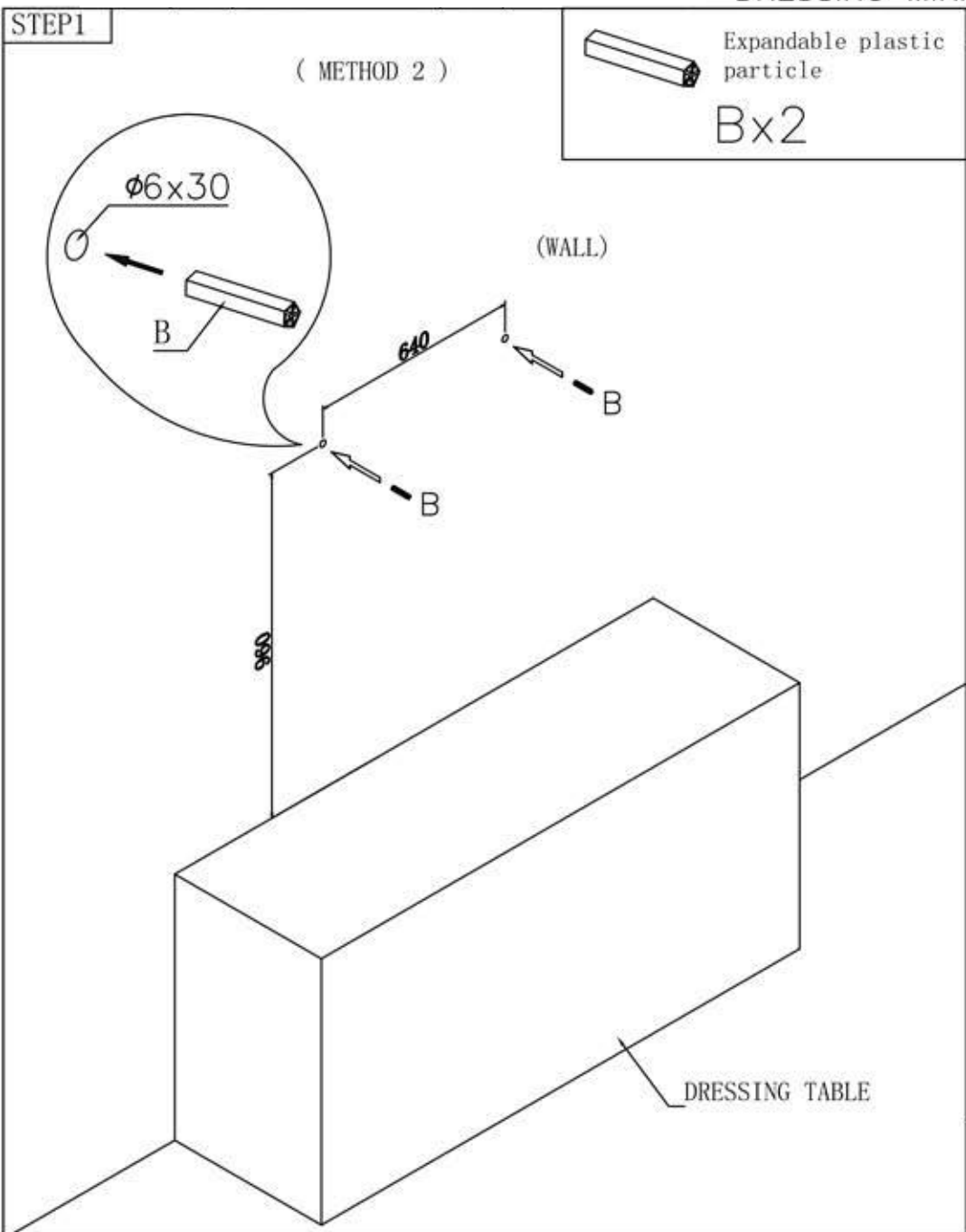




No	Part	Qty
1	Dressing Mirror	1
2	Supporting Board	2



No	Part	Qty
A	  Screw M6X30	8


 10min
 

DRESSING MIRROR



No	Part	Qty	No	Part	Qty	No	Part	Qty
1	Mirror Panel	1	B	 Expandable plastic particle	2	C	 Screw φ4x30	2



10min
