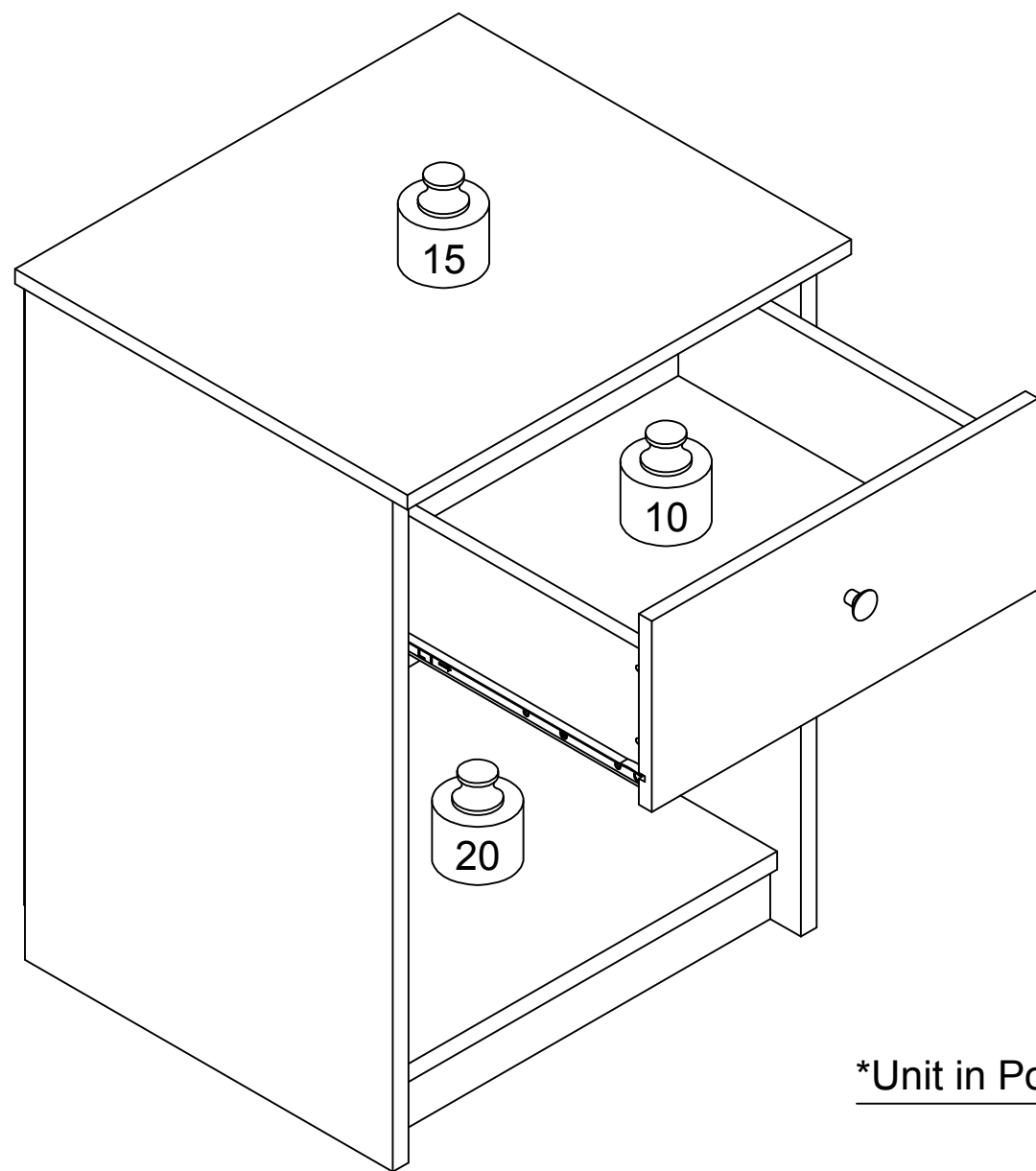


Recommended Maximum Weight



*Unit in Pound(lbs.)

WARNING:

>This unit has been designed to support the maximum loads shown. Exceeding these load limits could cause sagging, instability, product collapse, and/or serious injury.

>DO NOT allow children to climb on unit.

> Put heavier items on lower shelves.



Assembly Instruction

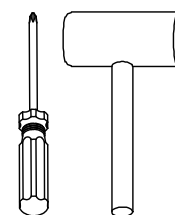
Nightstand With One Drawer

00:30

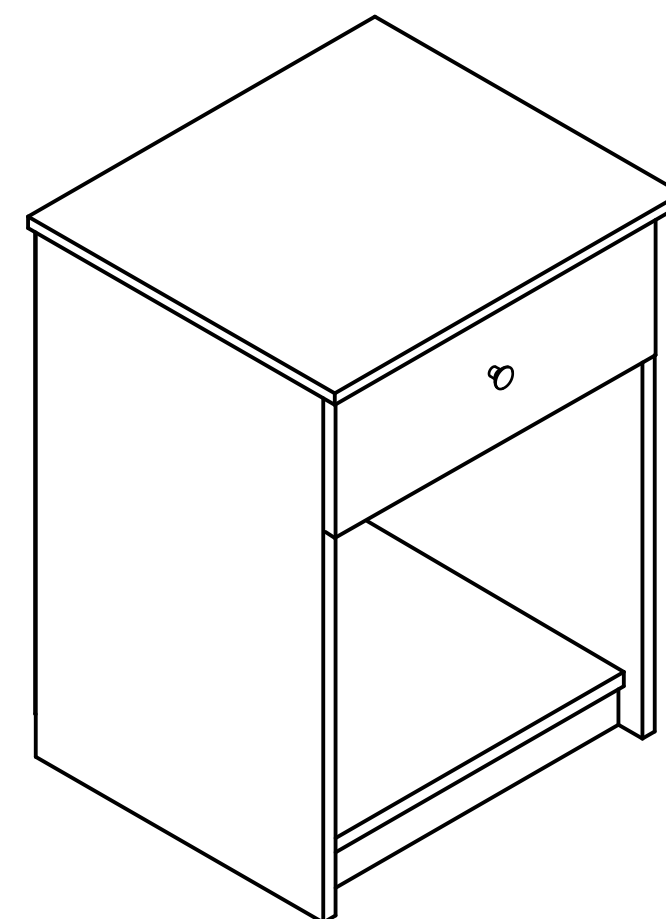
Approx. 30 minutes



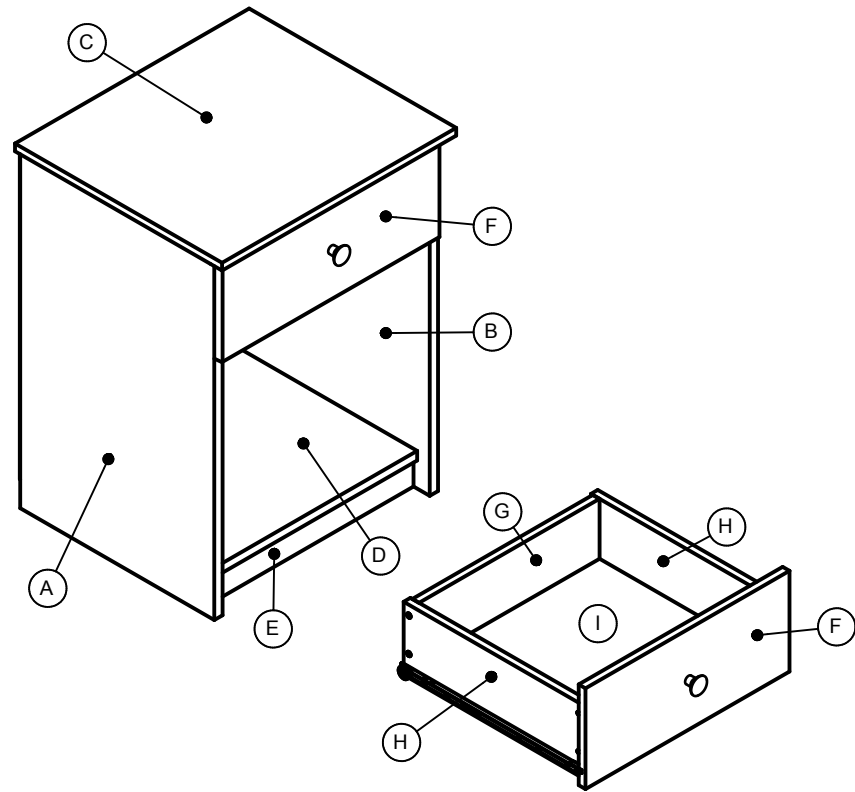
Recomm. 1 Person



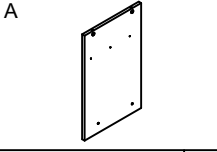
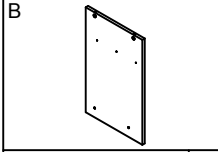
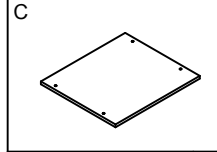
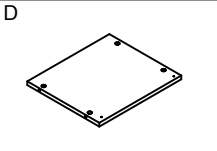
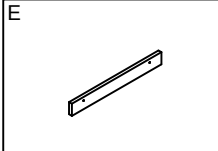
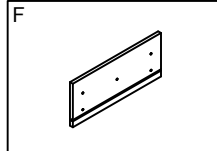
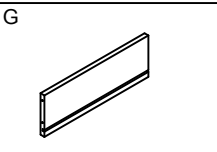
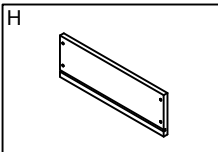
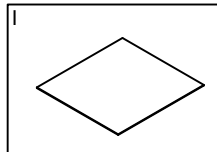
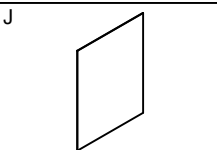
Tool Required



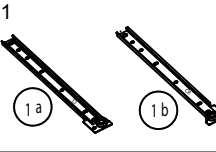
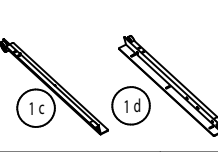
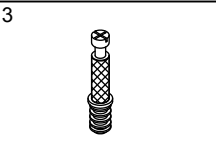
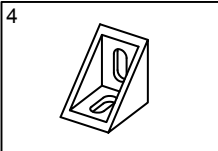
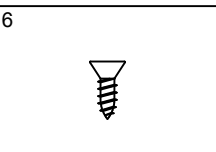
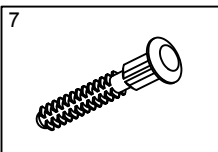
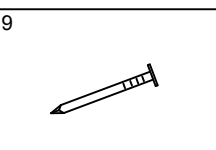
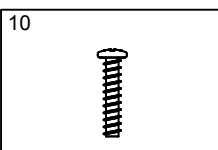
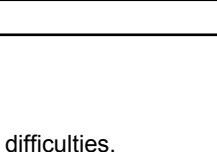

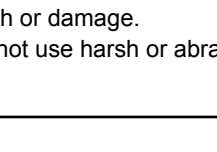
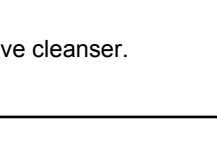


EXPLODED VIEW



PARTS LIST

 LEFT PANEL 1 PC	 RIGHT PANEL 1 PC	 TOP PANEL 1 PC
 BOTTOM PANEL 1 PC	 KICK PANEL 1 PC	 DRAWER FRONT 1 PC
 DRAWER BACK 1 PC	 DRAWER SIDE 2 PCS	 DRAWER BOTTOM 1 PC
 BACK PANEL 1 PC		

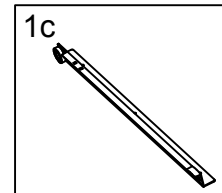
HARDWARE LIST

 DRAWER SLIDE 1 SET	 CAM LOCK 8 PCS
 DRAWER SLIDE 1 SET	 CAM BOLT 8 PCS
 DRAWER SLIDE 1 PC	 L BRACKET 2 PCS
 DRAWER SLIDE 1 PC	 PAN HEAD SCREW 12 PCS
 FLAT HEAD SCREW 12 PCS	 DRIVE FASTENER 4 PCS
 POWER PIN 20 PCS	 DRAWER BRACKET 2 PCS
 HANDLE SCREW 1 PC	 HANDLE KNOB 1 PC

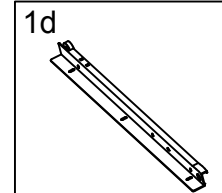
USEFUL HINTS BEFORE YOU START:

1. Read each step carefully before starting.
2. It is important that each step is performed in correct order to avoid difficulties.
3. Identify, soft and count the parts before assembly.
4. Assemble your furniture on packaging cardboard to prevent scratch or damage.
5. Clean the product with mild cleanser using soft damped cloth. Do not use harsh or abrasive cleanser.
6. Using incompatible hardware might cause damage to product.

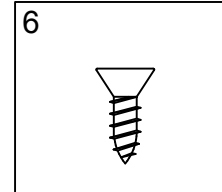
STEP 9



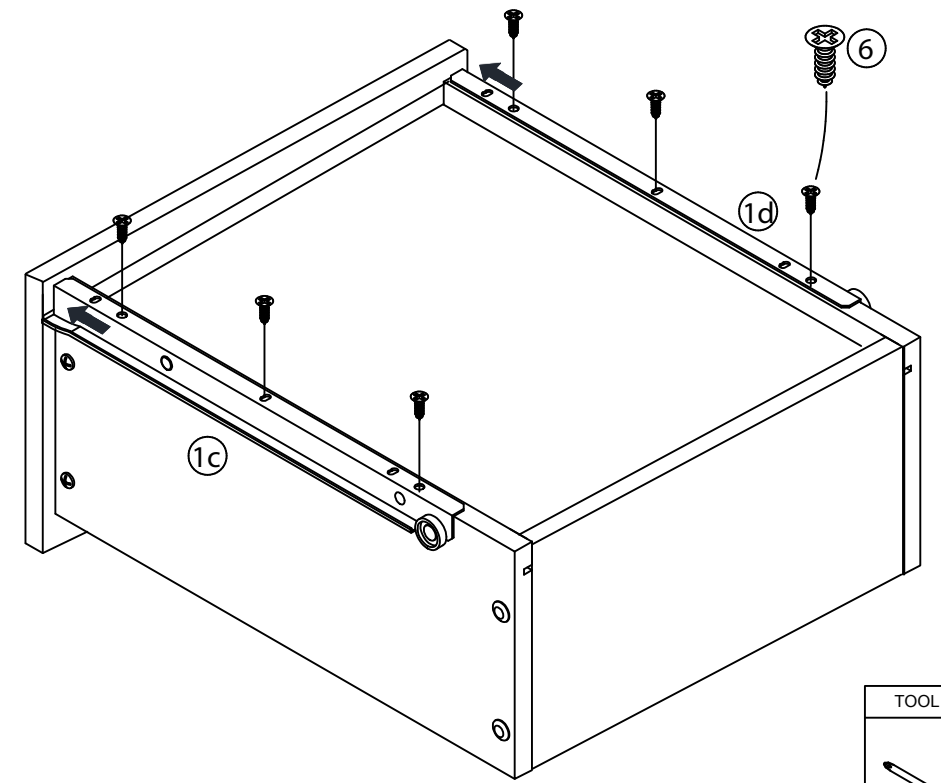
DRAWER SLIDE | 1 PC



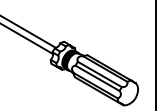
DRAWER SLIDE | 1 PC



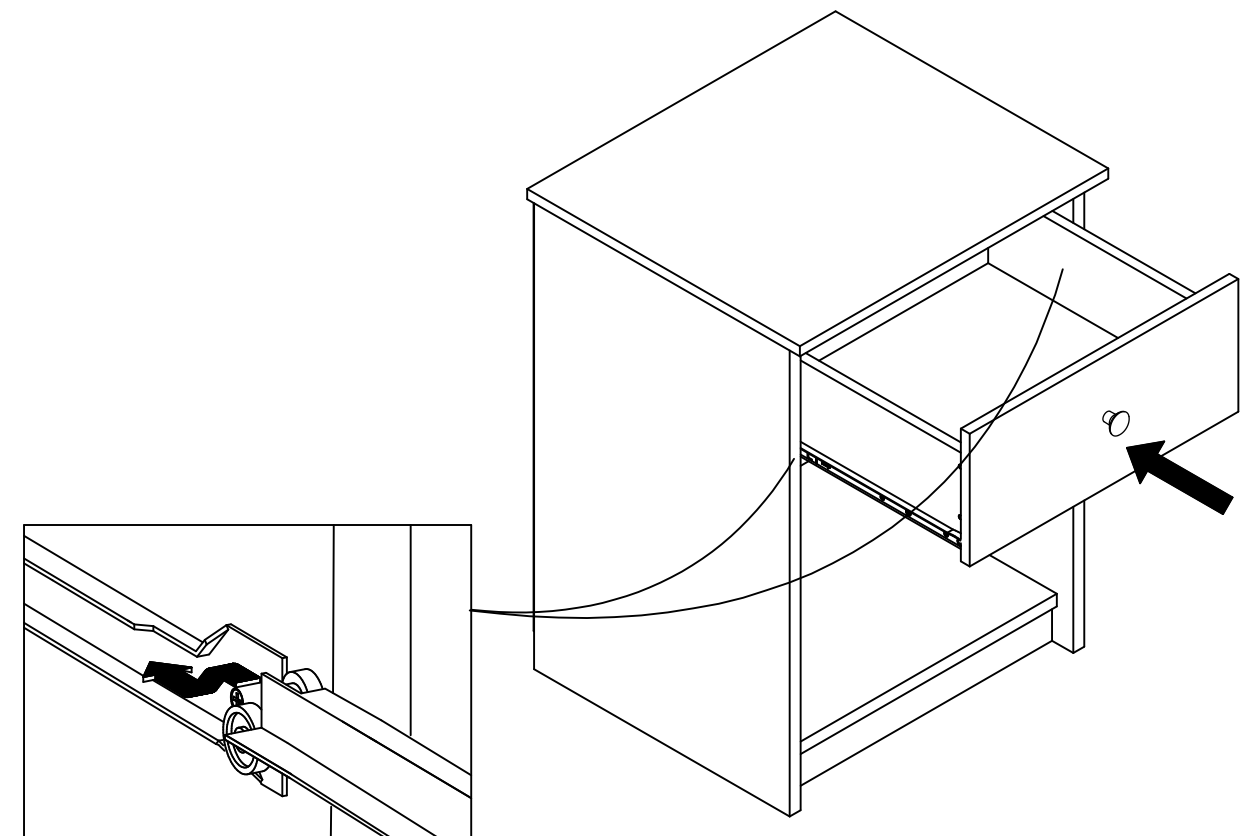
FLAT HEAD SCREW | 6 PCS



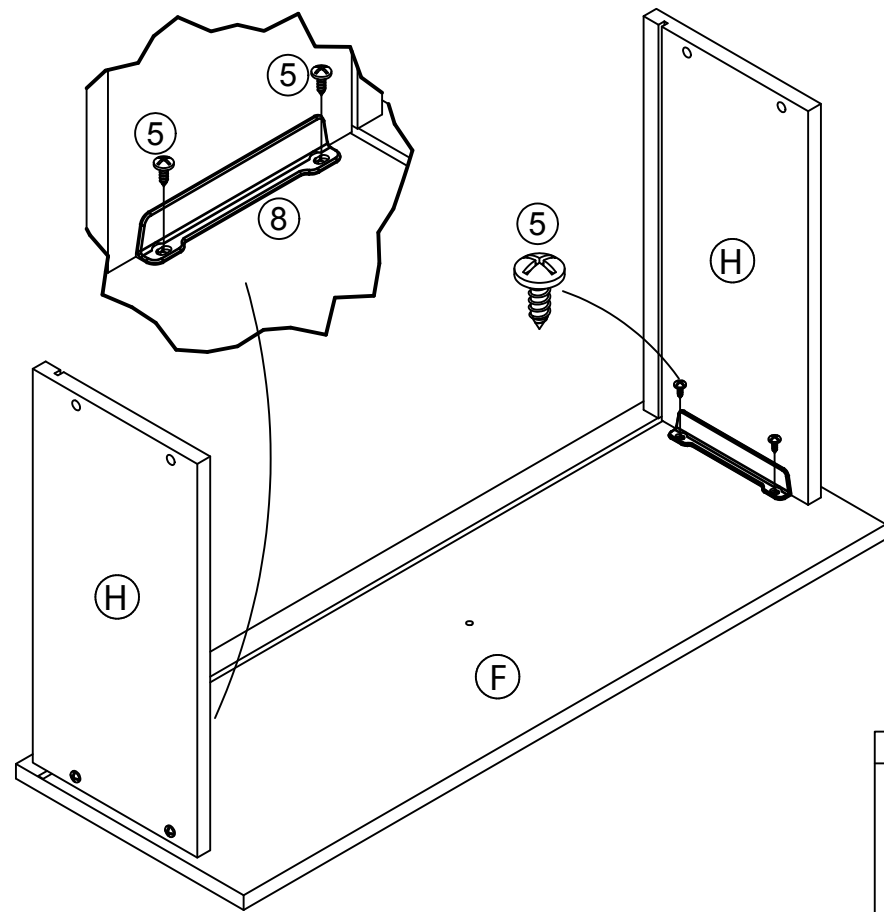
TOOL REQUIRED



STEP 10



STEP 7

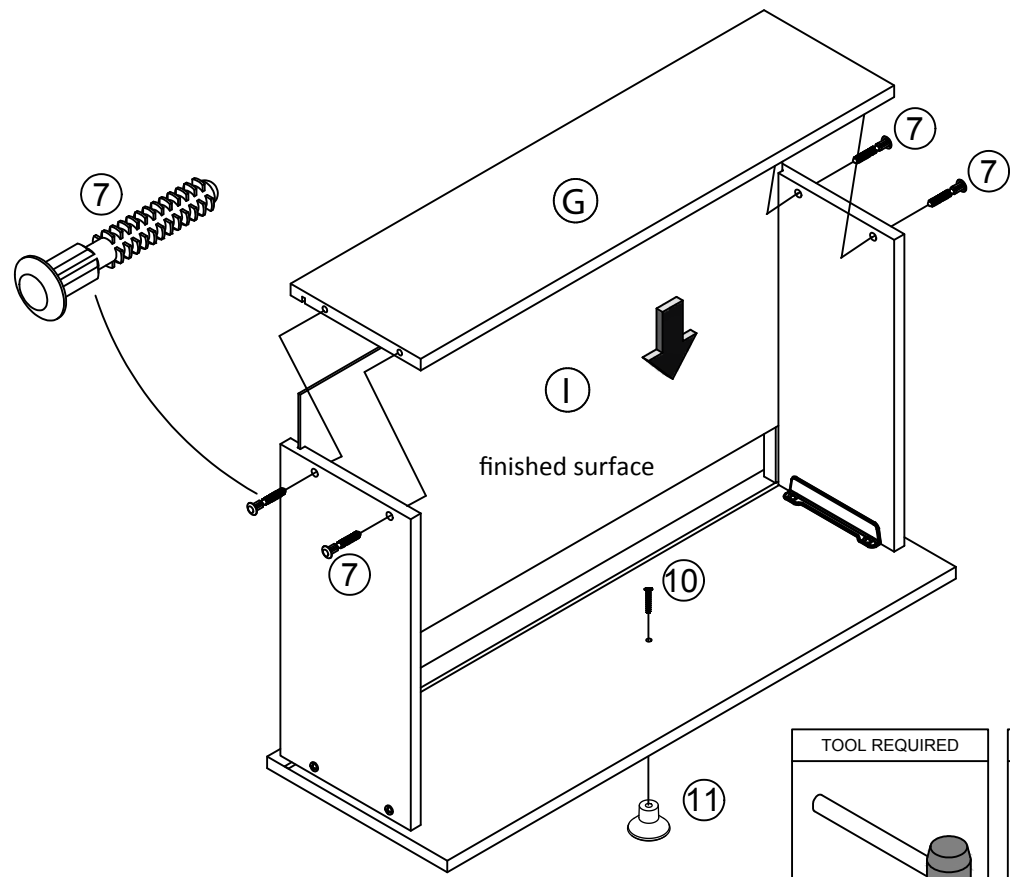


5

PAN HEAD SCREW 4 PCS

TOOL REQUIRED

STEP 8



10

HANDLE SCREW 1 PC

11

HANDLE KNOB 1 PC

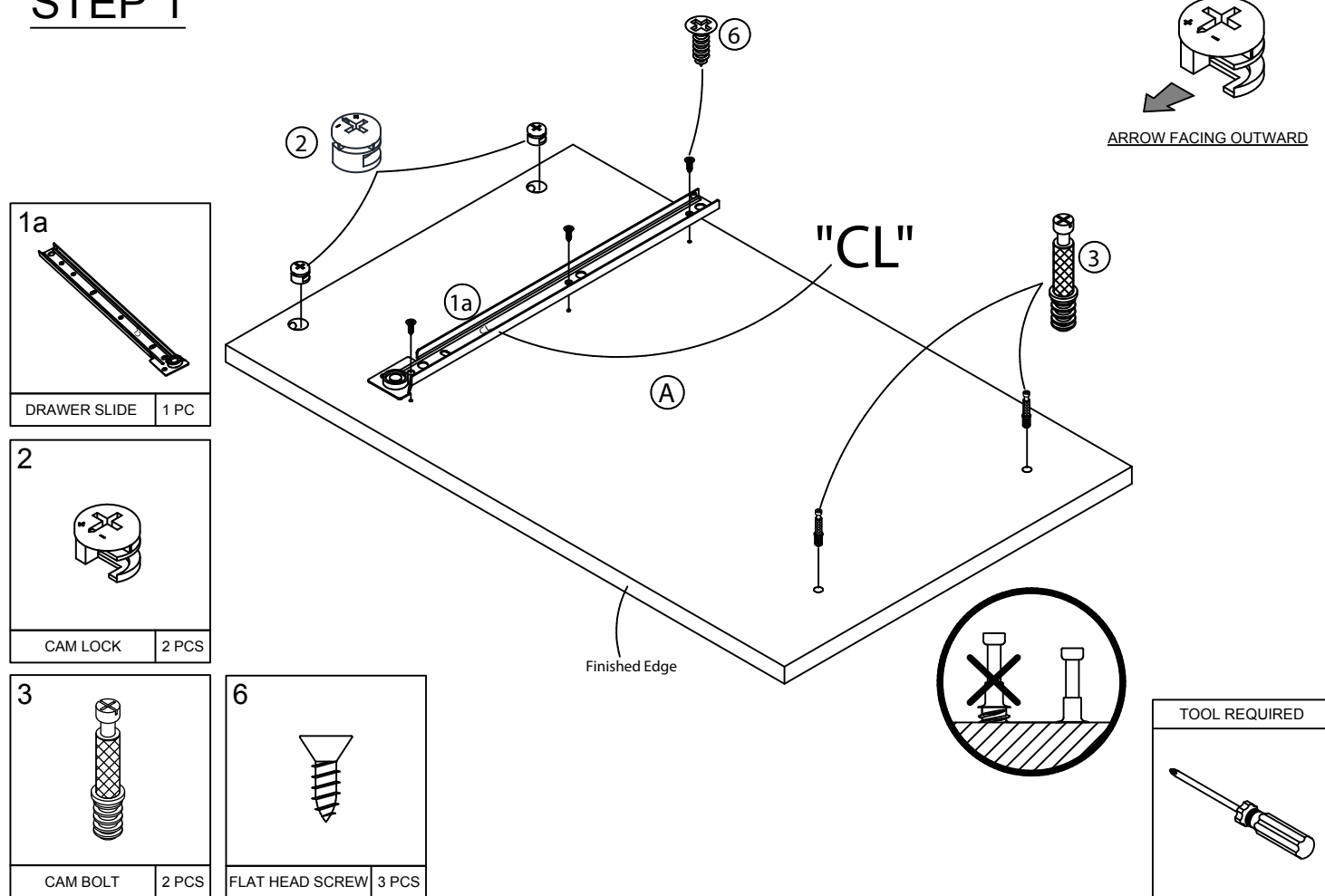
7

DRIVER FASTENER 4 PCS

TOOL REQUIRED

TOOL REQUIRED

STEP 1



1a

DRAWER SLIDE 1 PC

2

CAM LOCK 2 PCS

3

CAM BOLT 2 PCS

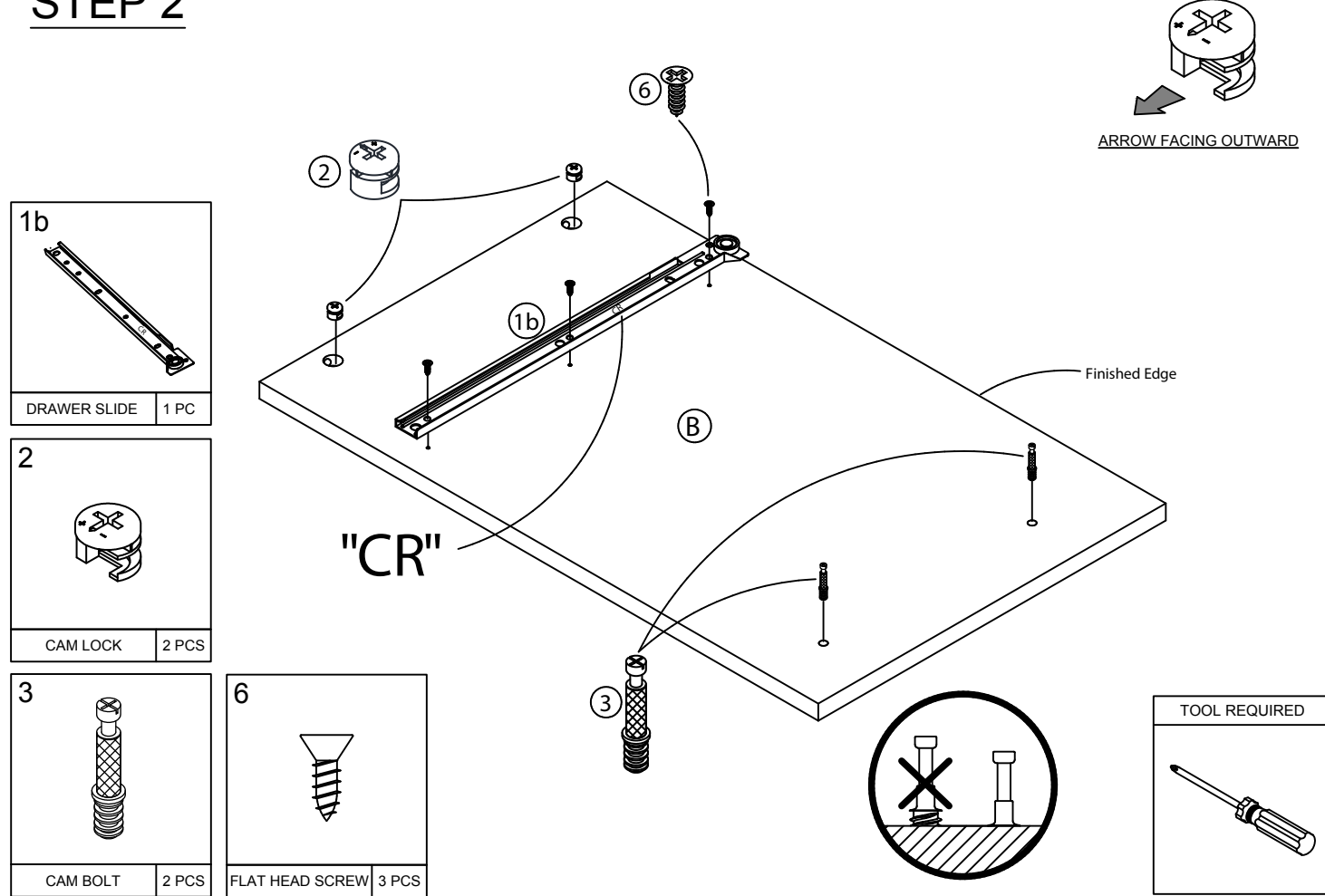
6

FLAT HEAD SCREW 3 PCS

ARROW FACING OUTWARD

TOOL REQUIRED

STEP 2



1b

DRAWER SLIDE 1 PC

2

CAM LOCK 2 PCS

3

CAM BOLT 2 PCS

6

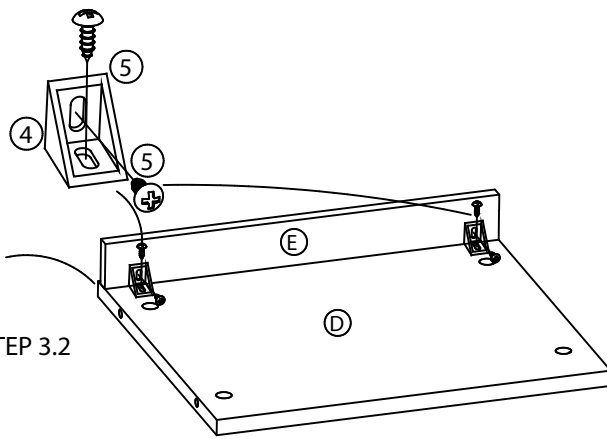
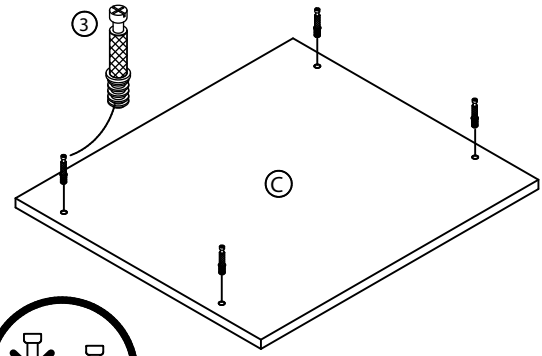
FLAT HEAD SCREW 3 PCS

ARROW FACING OUTWARD

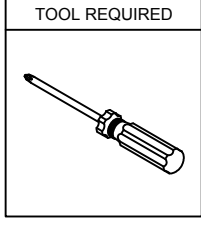
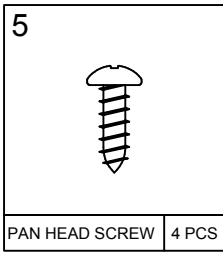
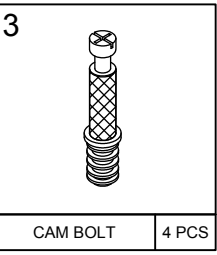
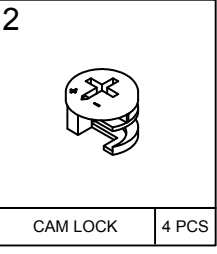
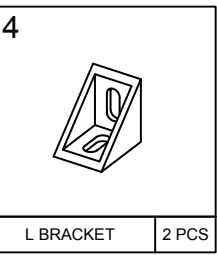
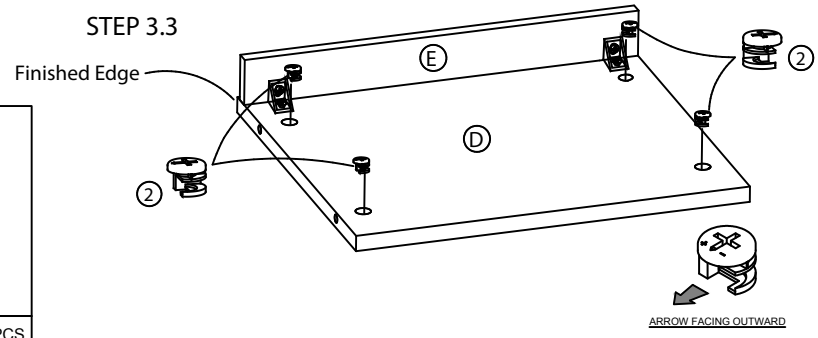
TOOL REQUIRED

STEP 3

STEP 3.1



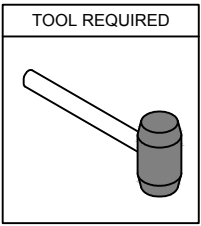
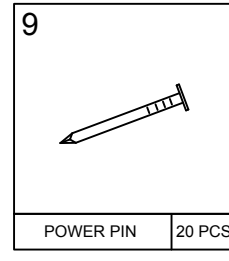
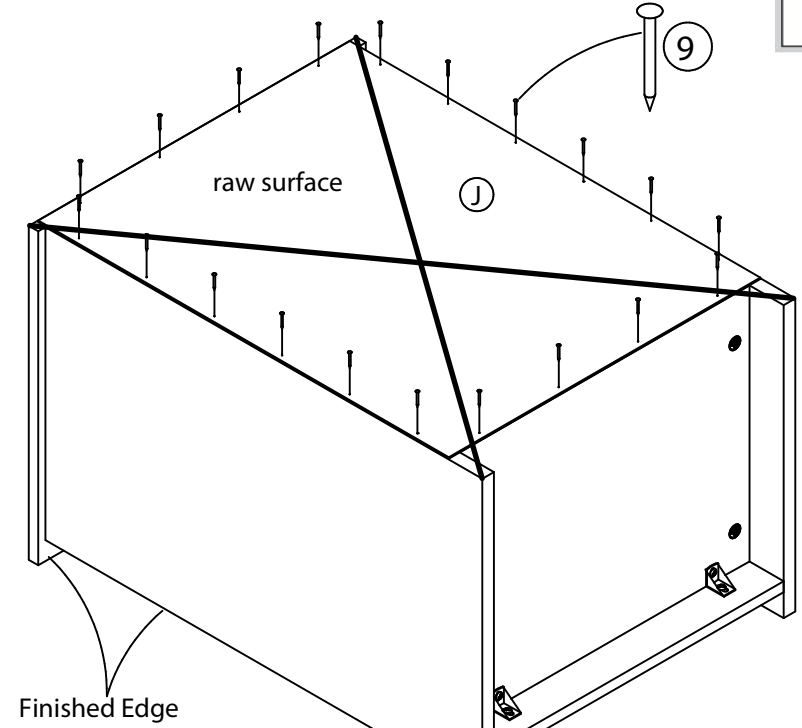
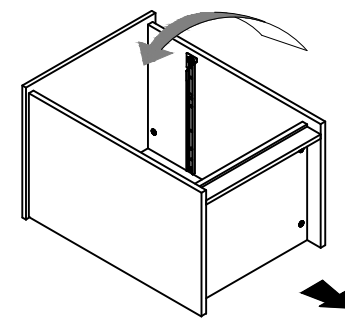
STEP 3.3



WARNING
WATCH YOUR HANDS AND FINGERS

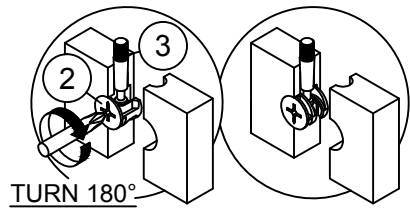
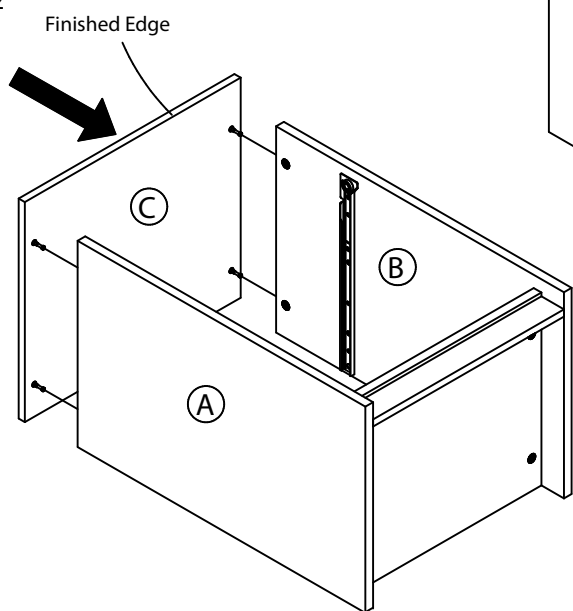
STEP 5

TURN 180°

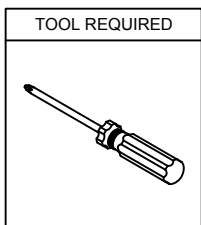
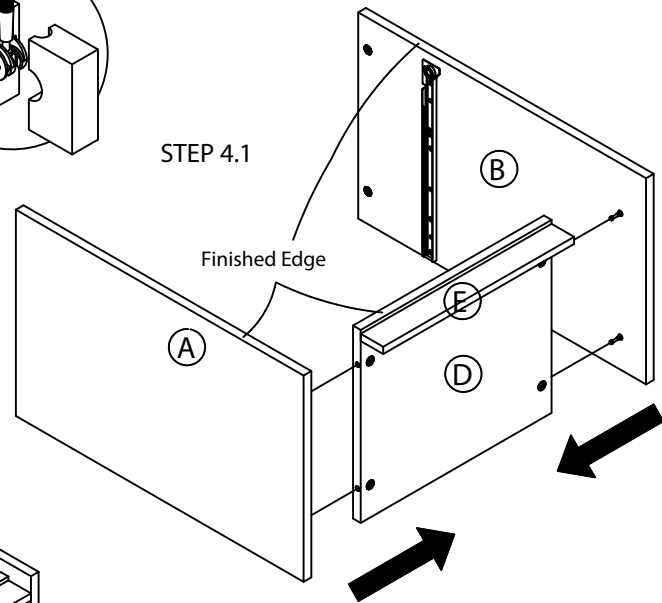


STEP 4

STEP 4.2



STEP 4.1



STEP 6

