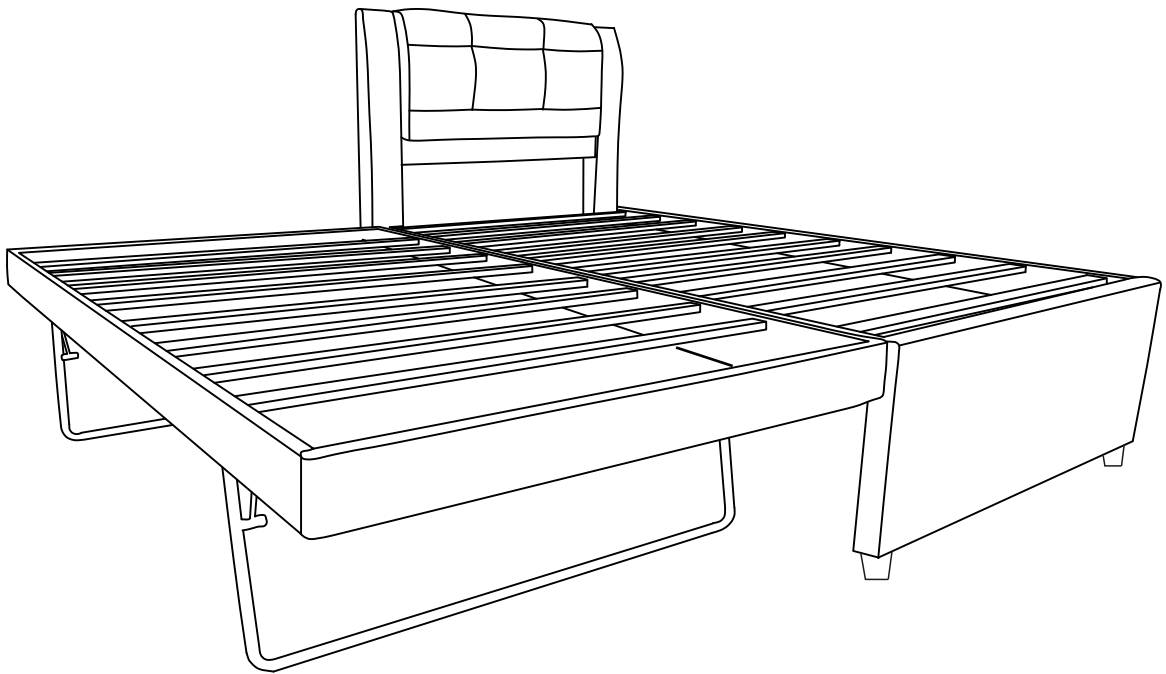
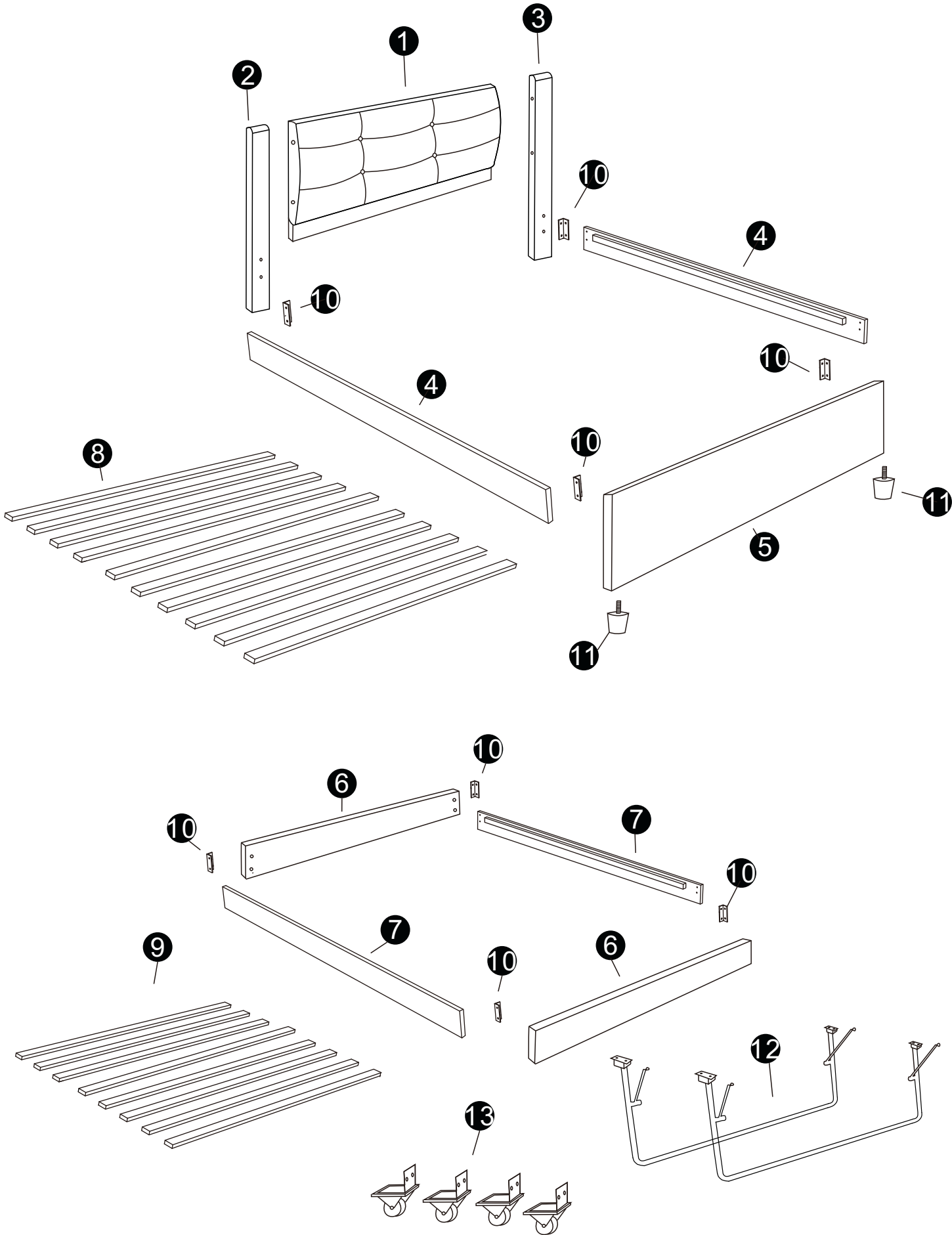


# ASSEMBLY INSTRUCTIONS

FULL BED

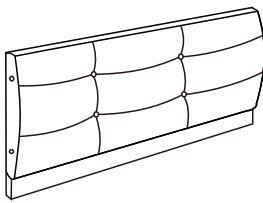


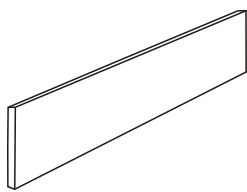
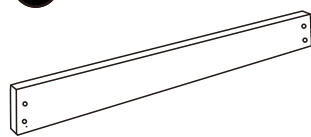




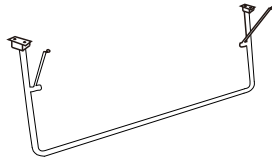
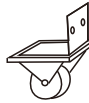

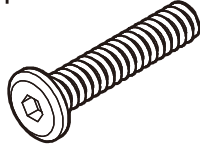
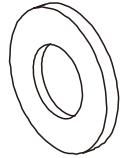

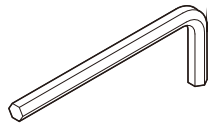
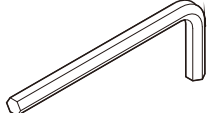
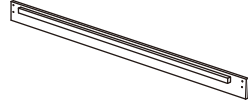
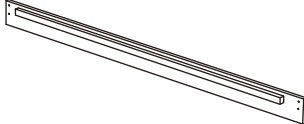


# ASSEMBLY INSTRUCTIONS



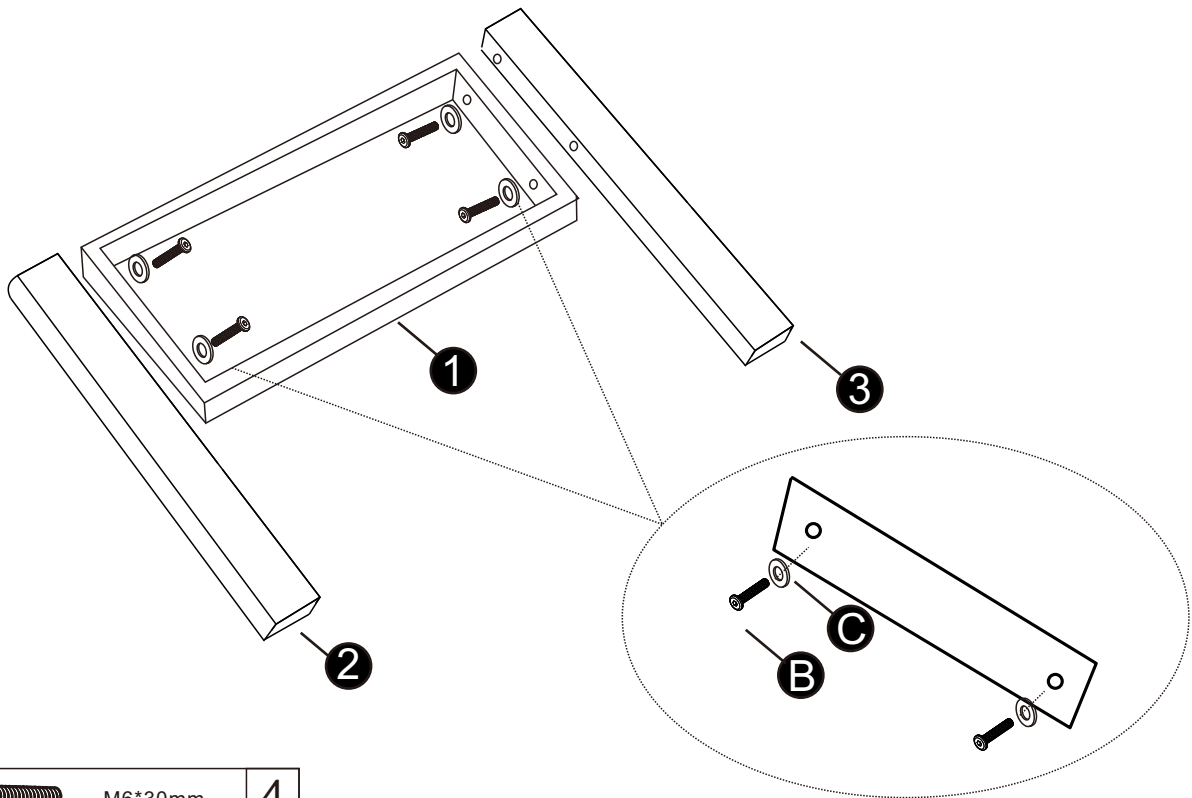
# ASSEMBLY INSTRUCTIONS



## PARTS LIST

<b>1</b> x1 	<b>2</b> x1 	<b>3</b> x1 	<b>5</b> x1 
<b>6</b> x2 	<b>8</b> x10 	<b>9</b> x8 	<b>10</b> x8 
<b>11</b> x2 	<b>12</b> x2 	<b>13</b> x4 	A: x32  M6*20mm
B: x24  M6*30mm	C: x4  M8	D: x36  M5*40mm	E: x 1  Allen Key M5
F: x1  Allen Key M6			
<b>4</b> x2 	<b>7</b> x2 		

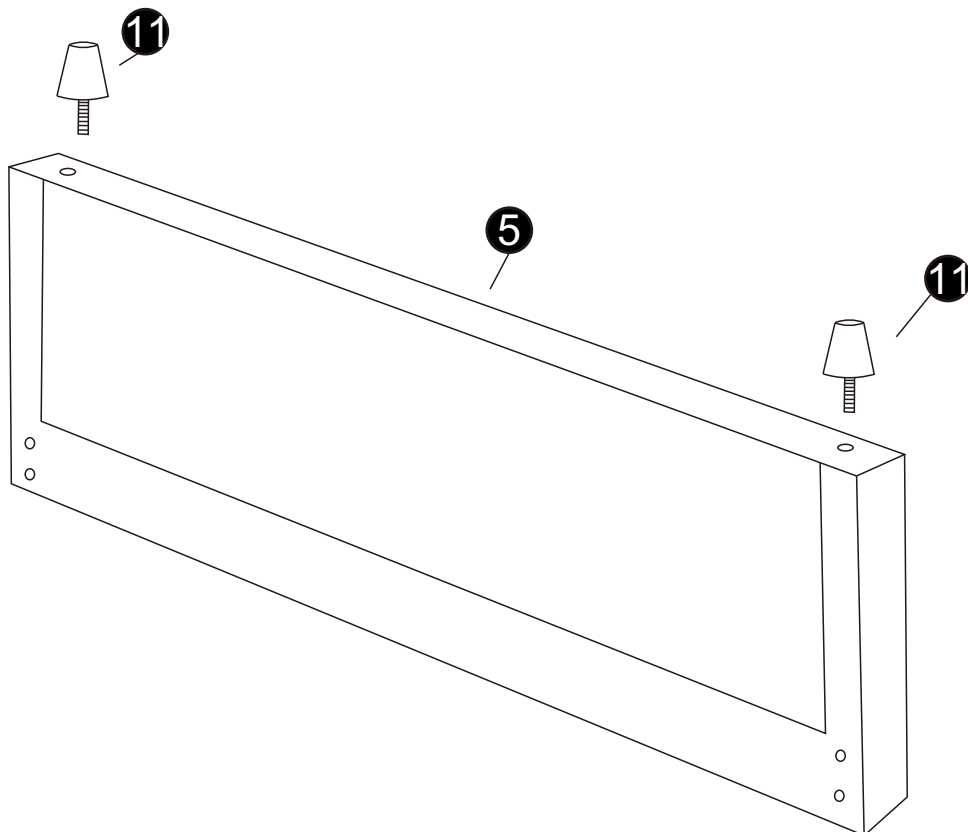
# ASSEMBLY INSTRUCTIONS

## STPE 1



B		M6*30mm	4
C		M8	4

## STPE 2

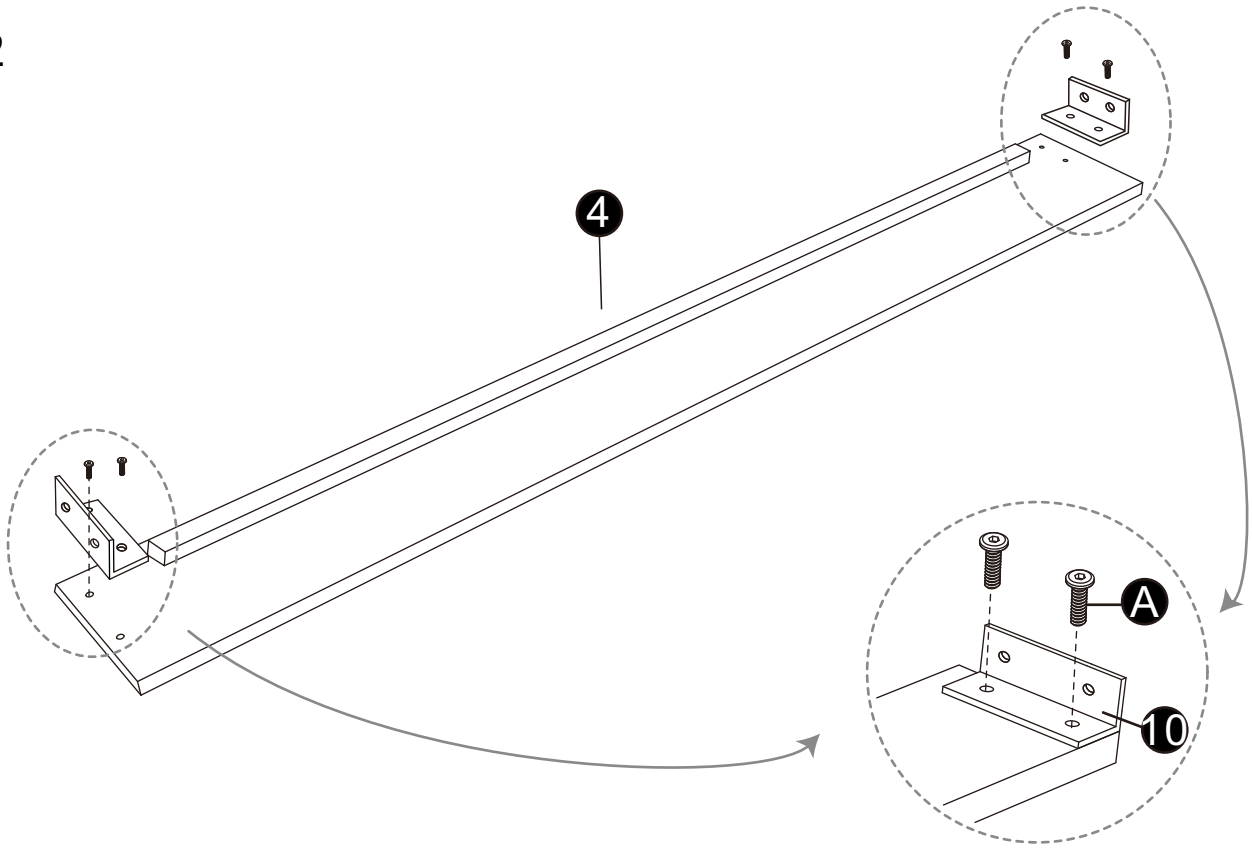


11			2
----	---	--	---

# ASSEMBLY INSTRUCTIONS

## STPE 3

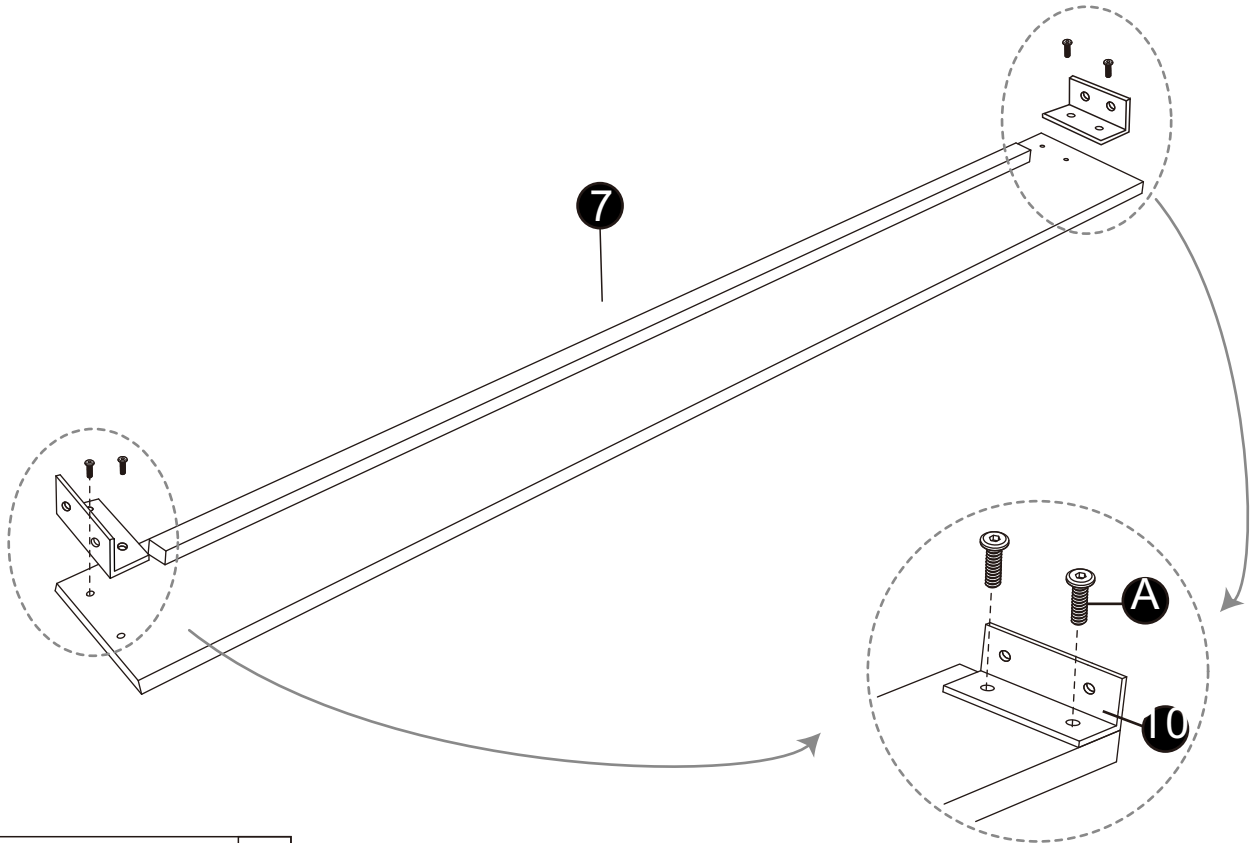
X2



A  M6\*20mm 8

## STPE 4

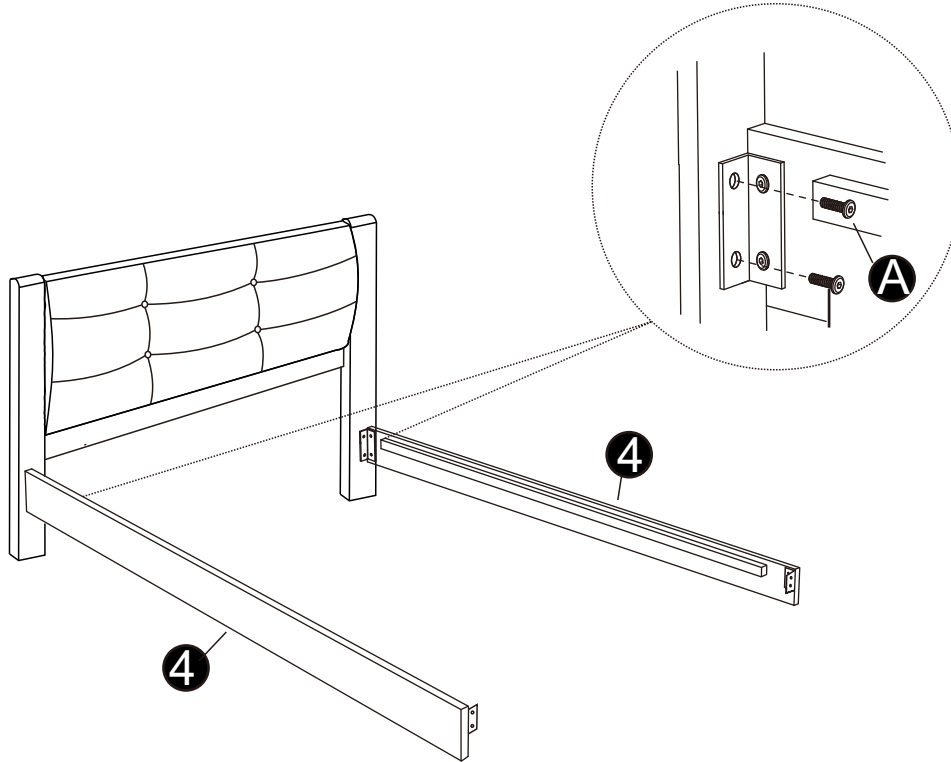
X2




A  M6\*20mm 8

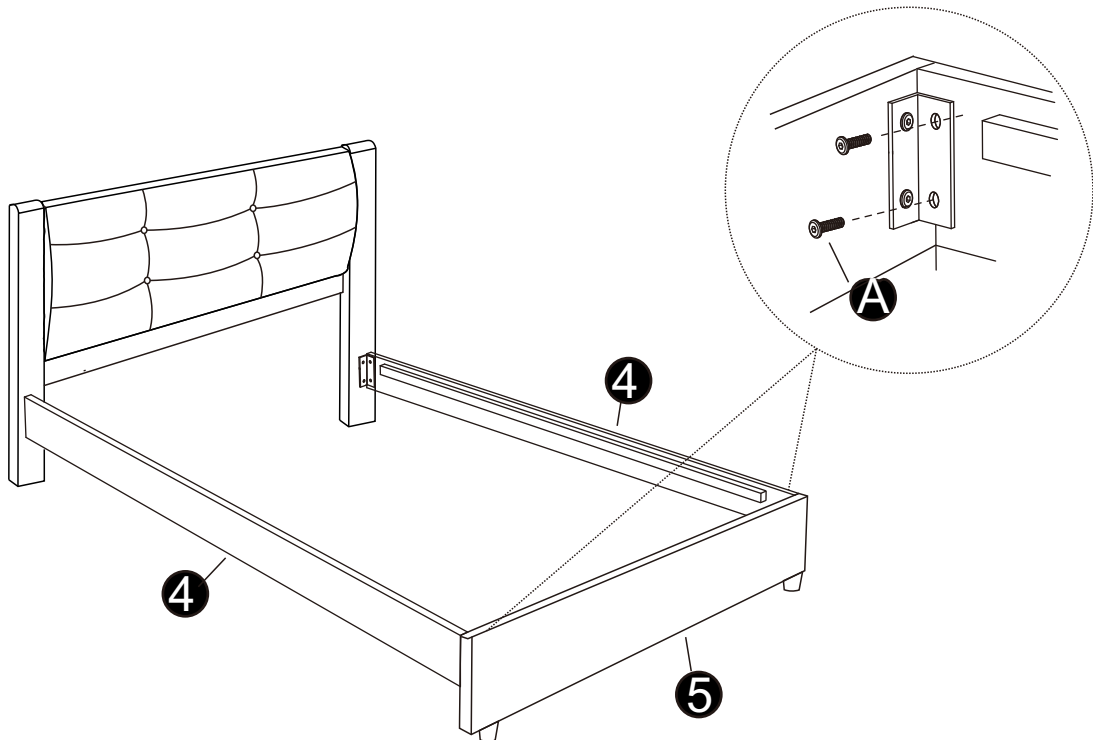
# ASSEMBLY INSTRUCTIONS


## STPE 5



A		M6*20mm	4
---	---	---------	---

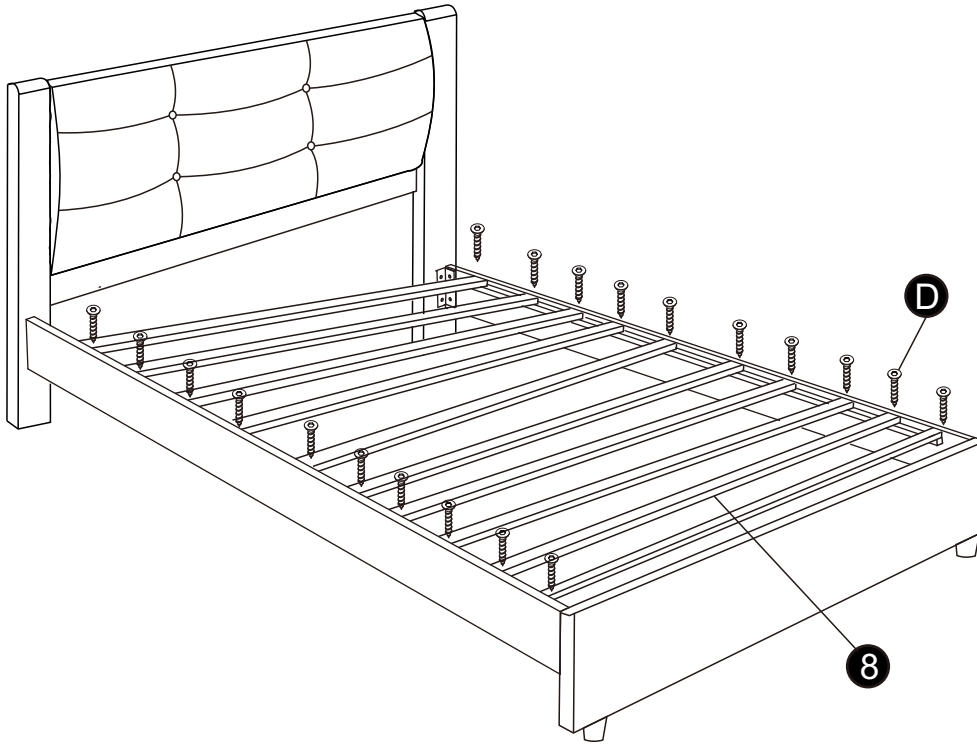
## STPE 6



A		M6*20mm	4
---	---	---------	---

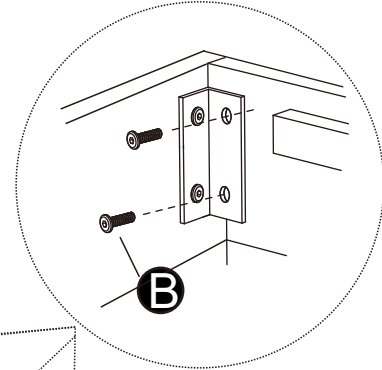
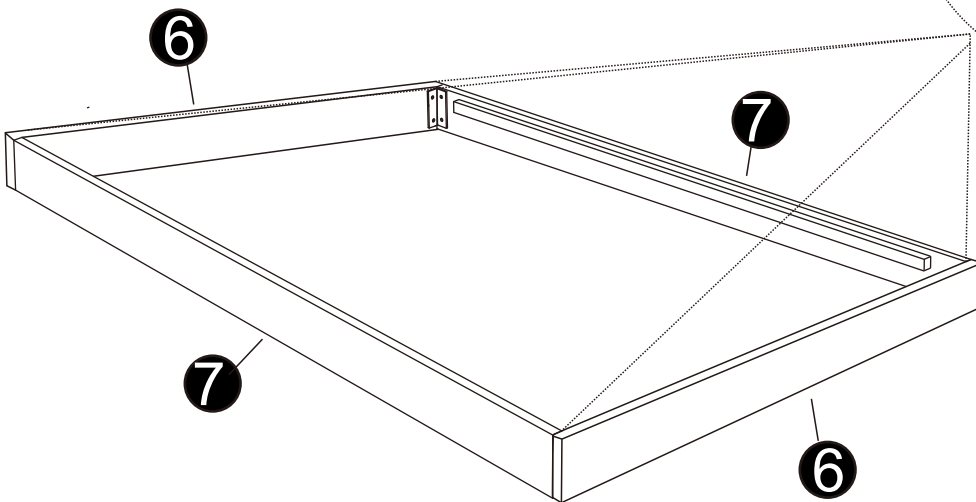
# ASSEMBLY INSTRUCTIONS

## STPE 7



D		M5*40mm	20
---	---	---------	----

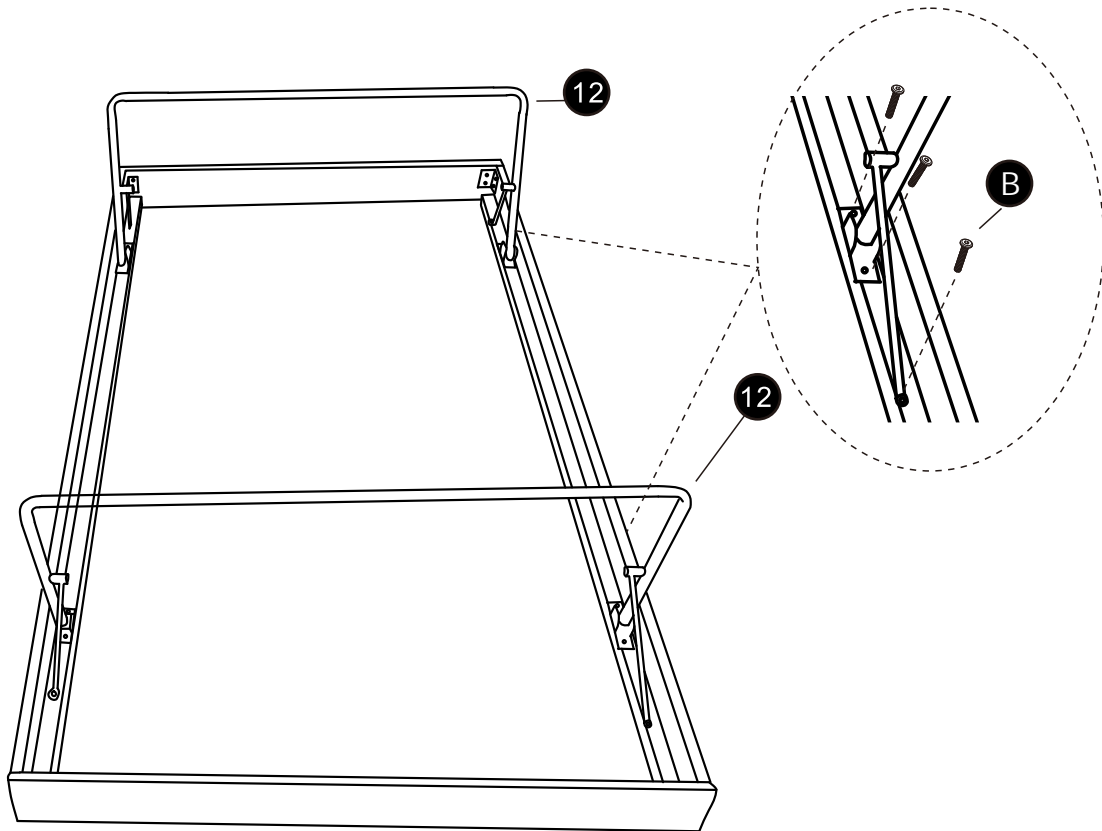
## STPE 8



B		M6*30mm	8
---	---	---------	---

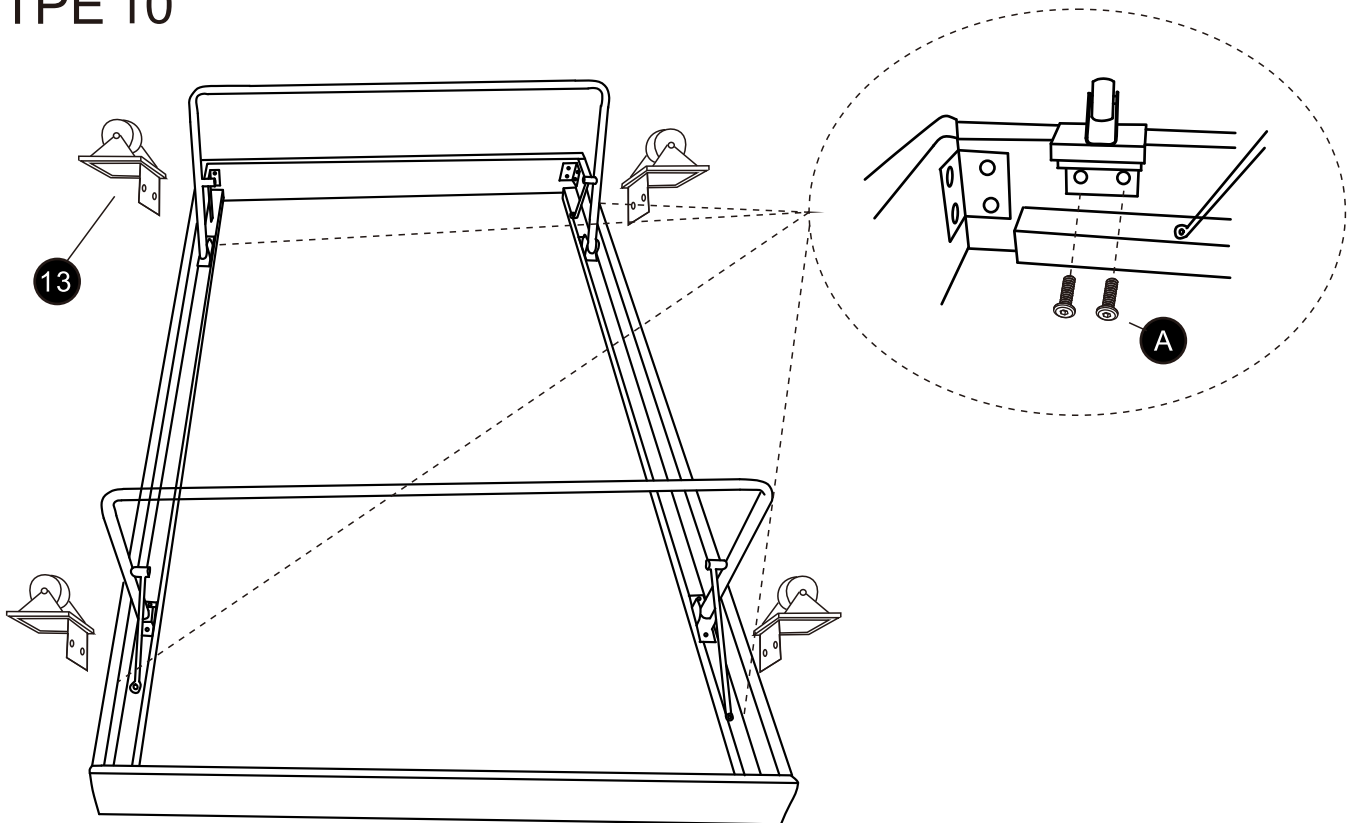
# ASSEMBLY INSTRUCTIONS

## STPE 9



B		M6*30mm	12
---	---	---------	----

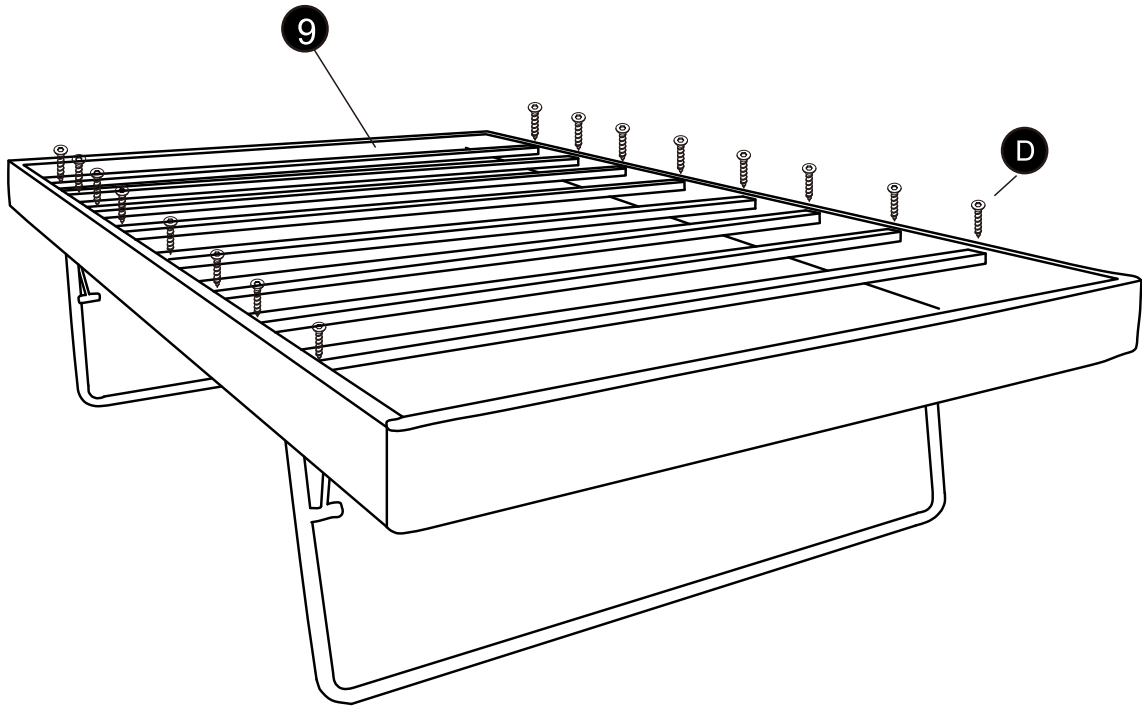
## STPE 10



A		M6*20mm	8
---	---	---------	---

# ASSEMBLY INSTRUCTIONS

## STPE 11



D		M5*40mm	16
---	---	---------	----

## STPE 12

