







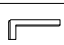
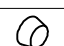
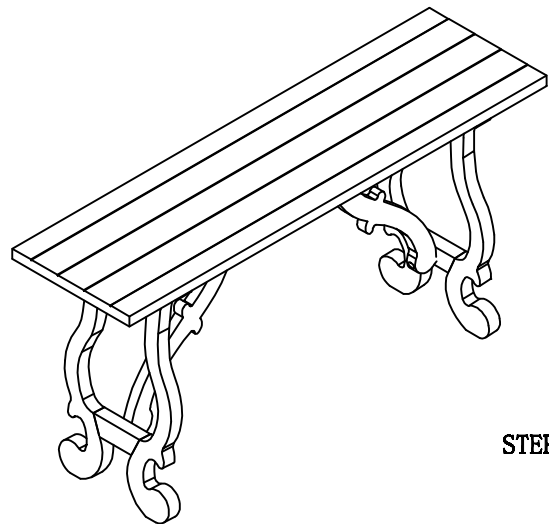
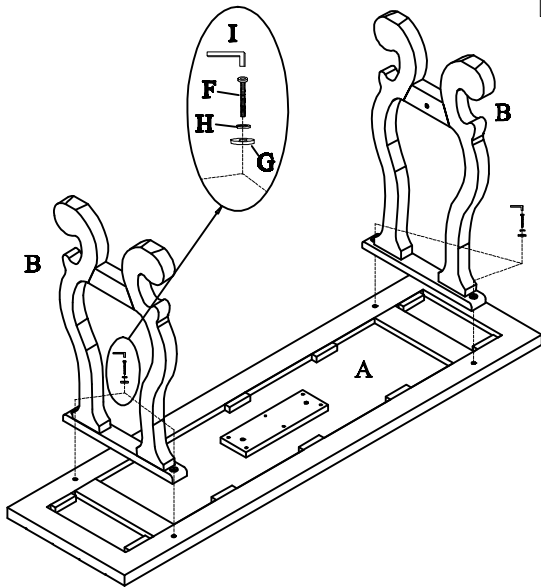


Assembly Instructions

Thank you for purchasing this quality product. Be sure to check all packing material carefully for small parts that may have come loose inside the carton during shipment. (Note: Loosely thread all screws/bolts first. Once the item is assembled then completely tighten.)

TOOLS REQUIRED				HARDWARE LIST:				
PARTS LIST:				No.	Sketch	Description	Size	Quantity
No.	Description	Sketch	Quantity	D		Bolt	ø5/16" * 2"	2
A	Top Shelf		1	E		Bolt	ø5/16" * 3"	2
B	Leg Frame		2	F		Bolt	ø5/16" * 1-1/2"	4
C	Draw Bar		2	G		Flat Washer	ø5/16" * 3/4"	8
				H		Lock Washer	ø5/16"	8
				I		Allen Wrench	M5	1
				J		Cork	ø24*12*21mm	2

STEP 1



STEP 3

STEP 2

