

NOTICE

- * Please make sure that you have all parts indicated and they are in good condition before you begin assembly of this item. Refer to part list and hardware list below for guidance.
- * This item should be assembled on a soft surface to prevent scratching the finish during assembly.
- * This item may require periodic tightening.
- * If you are having difficulty, our friendly Customer Care team is always here to help. Please email customersupport@safavieh.com

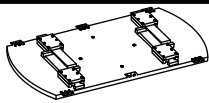

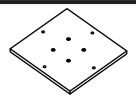

PREPARATION

- * Before beginning assembly of product, make sure all parts are present. Compare parts with part contents list and hardware contents list.
- * If any part is missing or damaged, do not attempt to assemble the product.
- * Estimated Assembly Time: 15 minutes.
- * Tools Required for Assembly (included) : Allen Key .

CARE AND MAINTENANCE

* Adhesive felt pads should always be applied to areas of furniture which make direct contact with flooring, said application will prevent damage to the furniture and or surfaces on which the furniture lies. Objects placed on articles of furniture should rest on non abrasive material as to prevent damage to the wood finish. Objects whose composition consists of plastic and rubber are known to discolor and damage the wood surfaces on which they rest. Wipe up spills immediately and avoid common hazards such as hot dishes, harsh solvents and abrasives. Cleaning should be done with a soft lint free cotton cloth dampened with water or furniture polish. On highly used surfaces we recommend applying a quality paste wax which should be used on a regular basis to provide additional protection from scratches and spills. How often you apply the wax depends on how much wear the furniture receives.

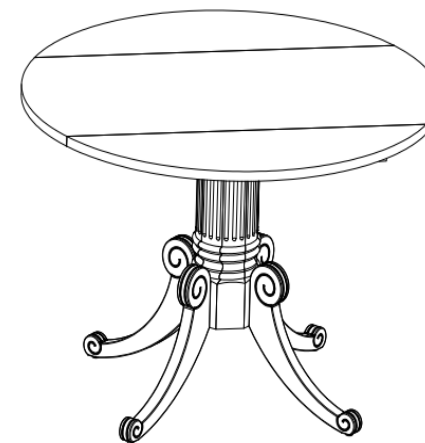
Part List and Hardware List

PIECE	DESCRIPTION	PICTURE	QUANTITY
A	Table Top		1X
B	Drop Leaf Panel		2X
C	Mounting Plate		1X
D	Pedestal		1X



Model #: DTB1000

Product Dimensions: 43.3" W x 43.3" D x 30.7"H

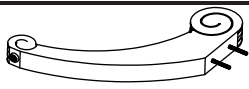







WARNING




Weight capacity: 40 LBS

Warning: Do not stand on Table

Warning: Do not over torque bolts

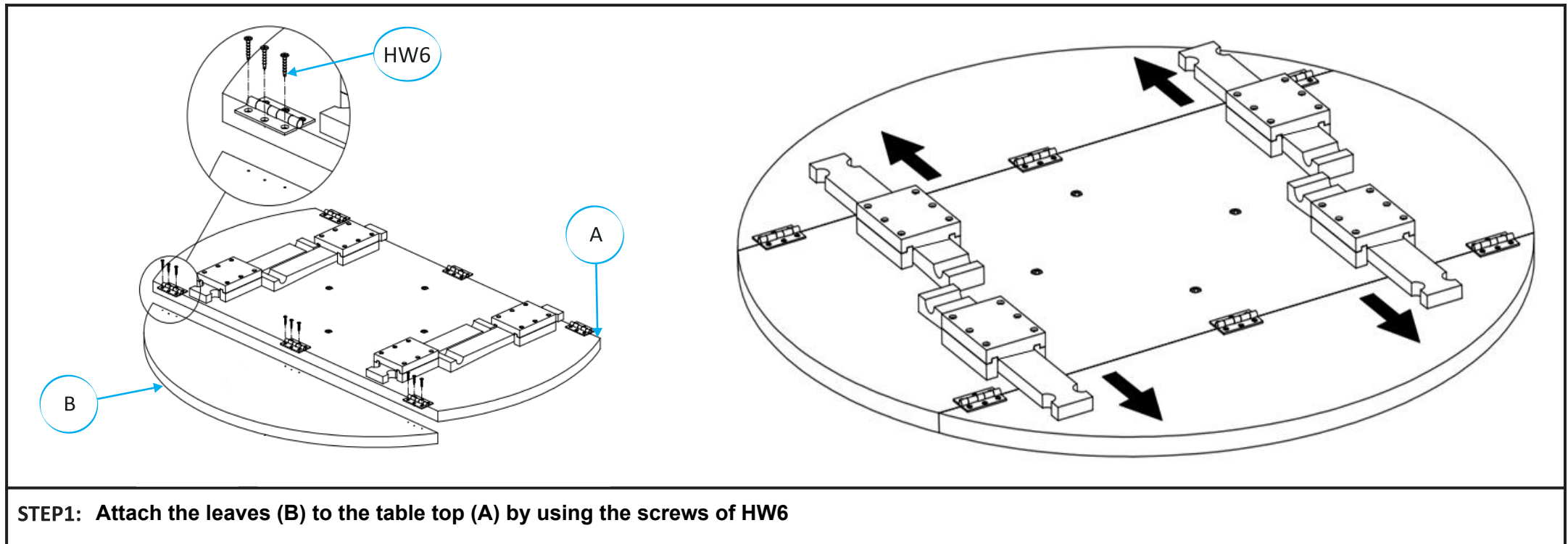
E	Legs		4X
HW1	Socket bolts M6x1.0x30mm		4X
HW2	Socket bolts M8x1.25x30mm		4X

PIECE	DESCRIPTION	PICTURE	QUANTITY
HW3	Split Lock Washer 8mm		8X
HW4	Flat Washer 8mm		8X
HW5	Hex 8mm		8X

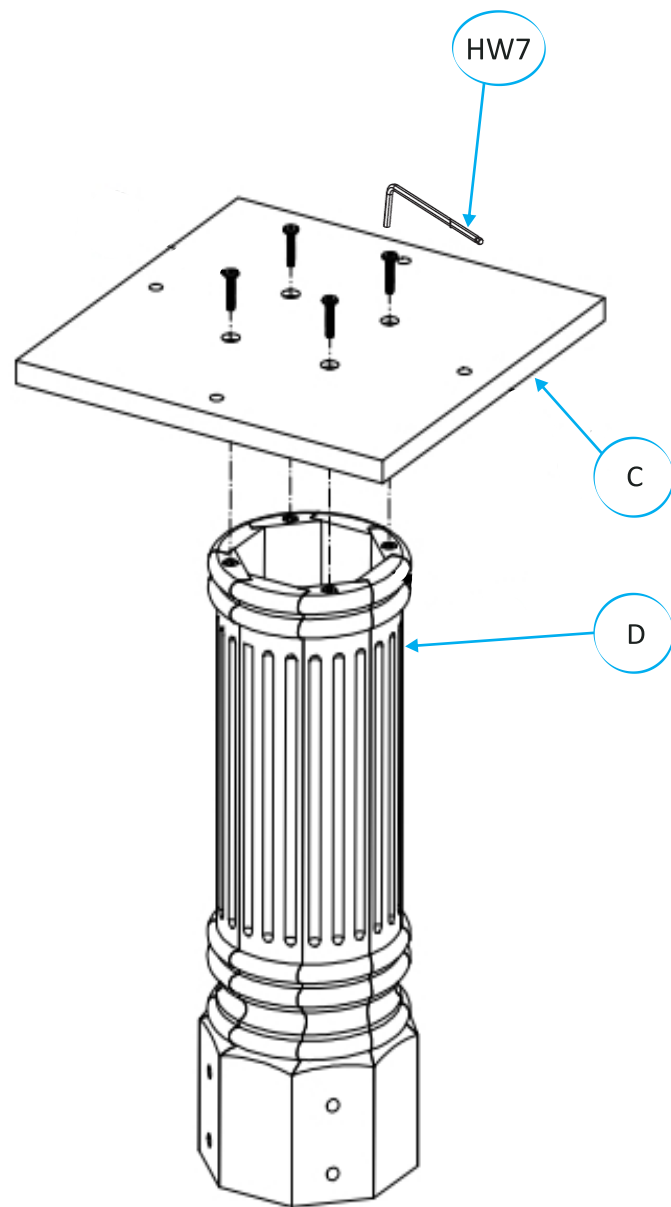
PIECE	DESCRIPTION	PICTURE	QUANTITY
HW6	Phillips Screws 3.5x20mm		18X
HW7	Allen Key		1X
HW8	Spanner		1X

PREPARATION

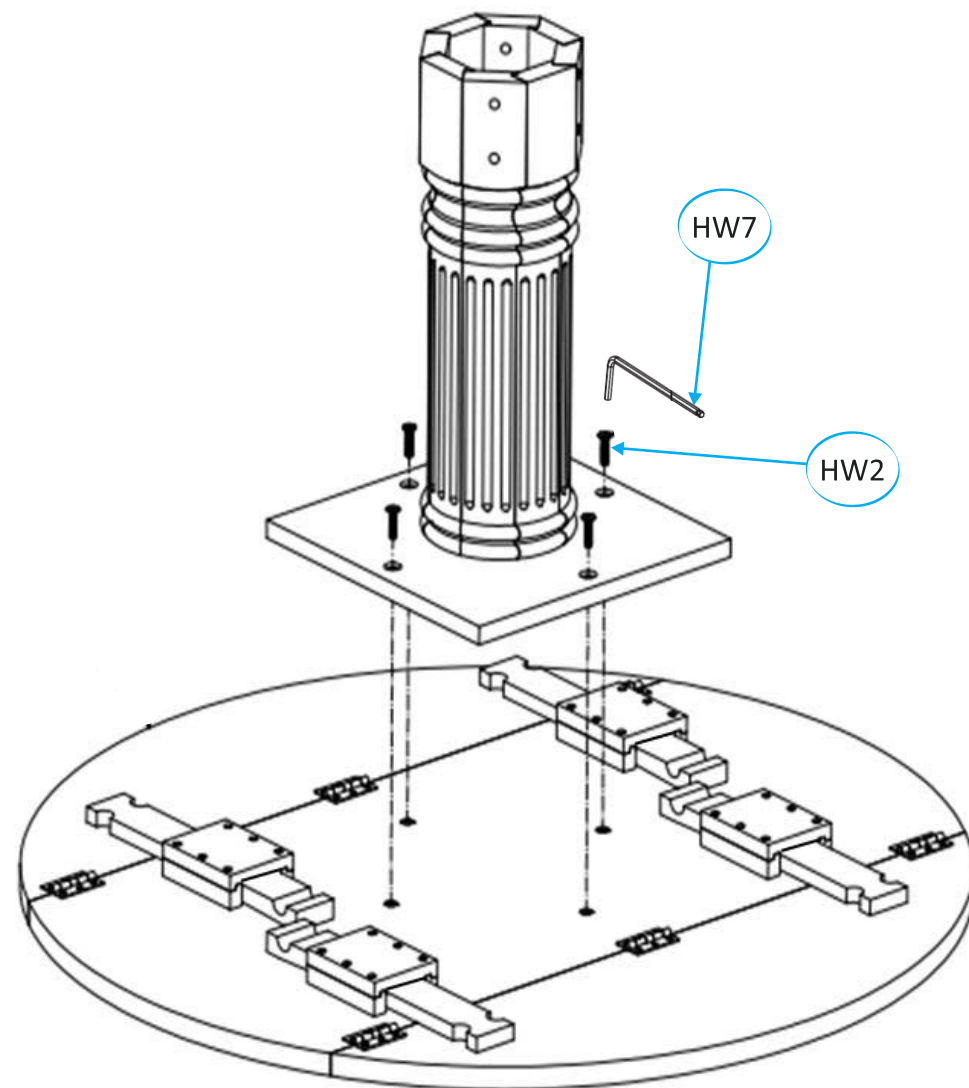
- * Before beginning assembly of product, make sure all parts are present. Compare parts with part contents list and hardware contents list.
- * If any part is missing or damaged, do not attempt to assemble the product.
- * Estimated Assembly Time: 15 minutes.
- * Tools Required for Assembly (included) : Allen Key.
- * If you are having difficulty, our friendly Customer Care team is always here to help. Please email customersupport@safavieh.com



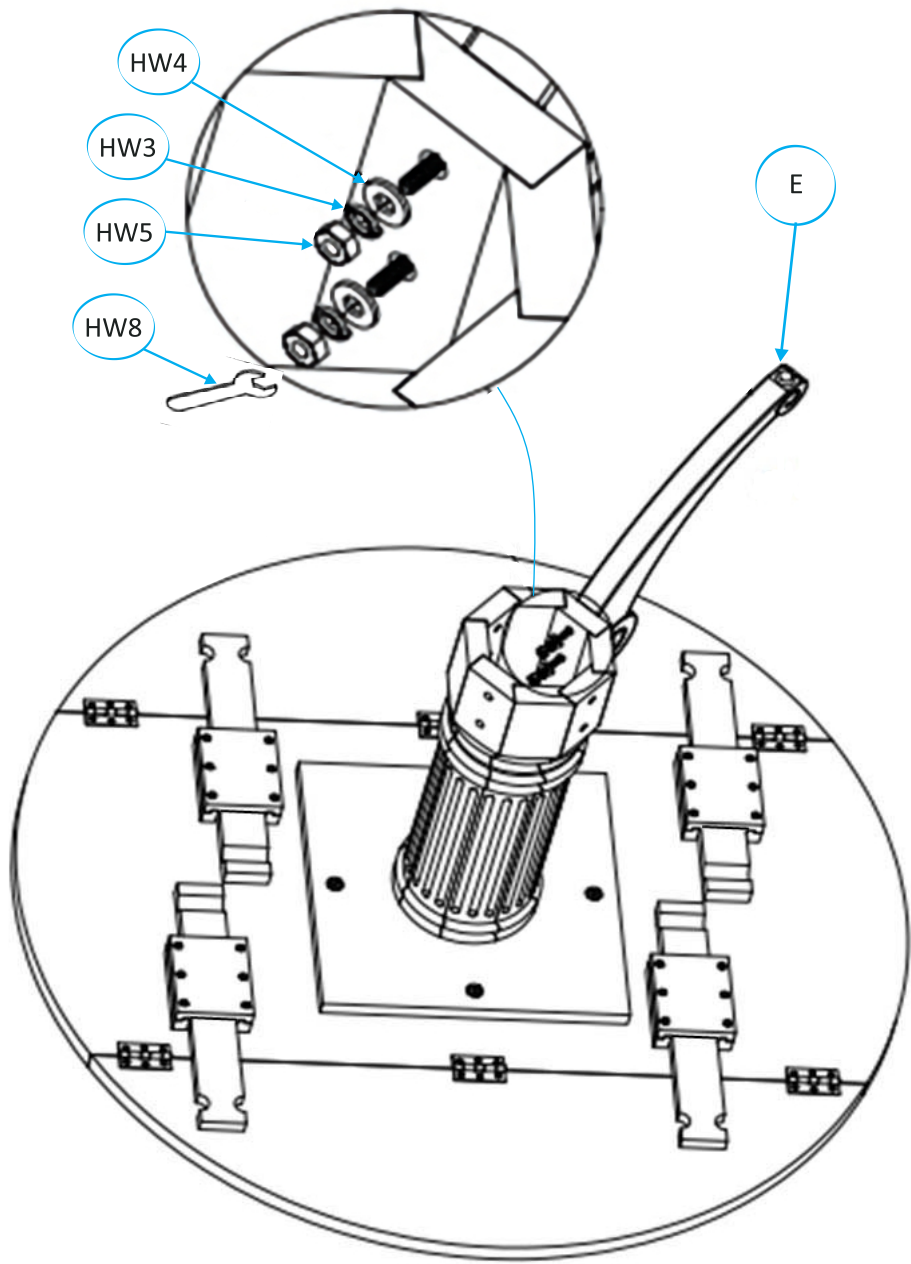
STEP1: Attach the leaves (B) to the table top (A) by using the screws of HW6



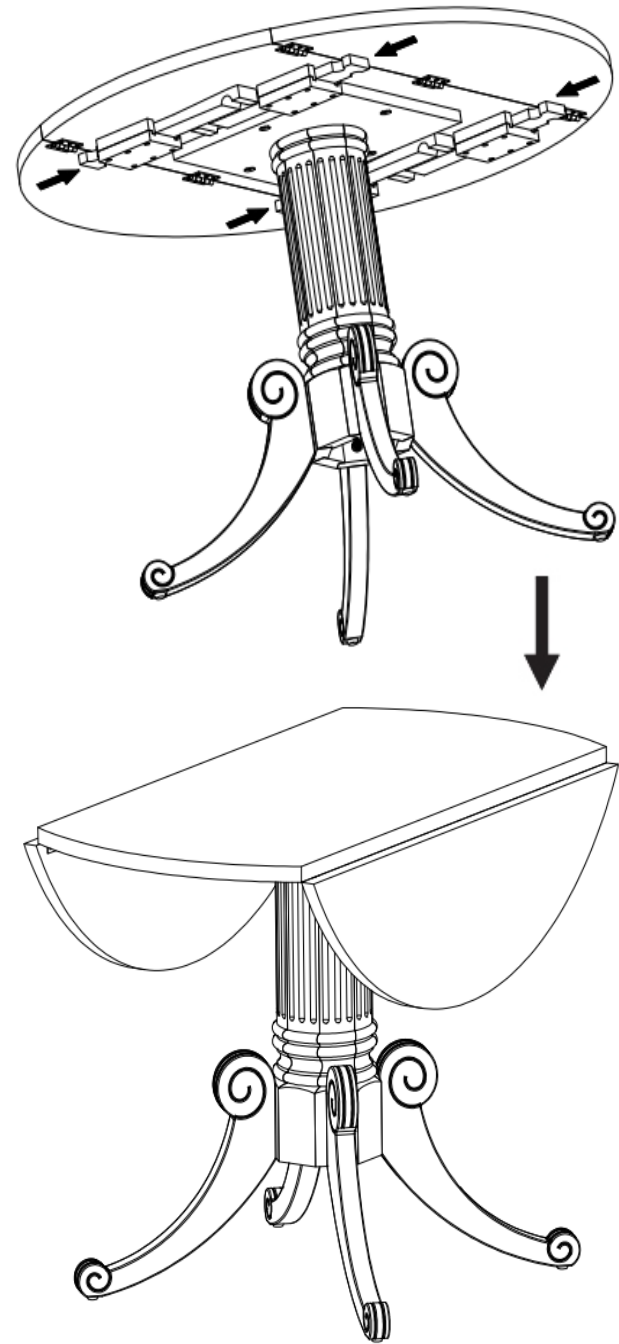
**STEP2: Attach the mounting plate (C) to the pedestal (D) by the bolts (HW1)
The Allen Key (HW7)**



**STEP3: Attach the pedestal base to the table top by using the bolts (HW2).
The Allen Key (HW7)**



STEP4: Attach the legs (E) to the pedestal base with HW3, HW4 as illustrated in the picture HW5 and HW8



STEP5: Tighten all the screws, bolts to finish. Leaves can be dropped by 2 sides when wanted