

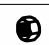








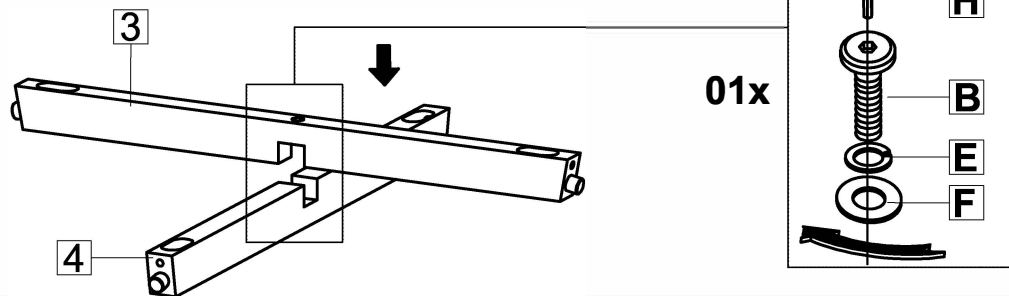
# ASSEMBLY INSTRUCTIONS & PARTS IDENTIFICATION COUNTER HEIGHT EXTENSION TABLE

Thank you for purchasing this quality product. Be sure to check all packing material carefully for small parts that may have come loose inside the carton during shipment.

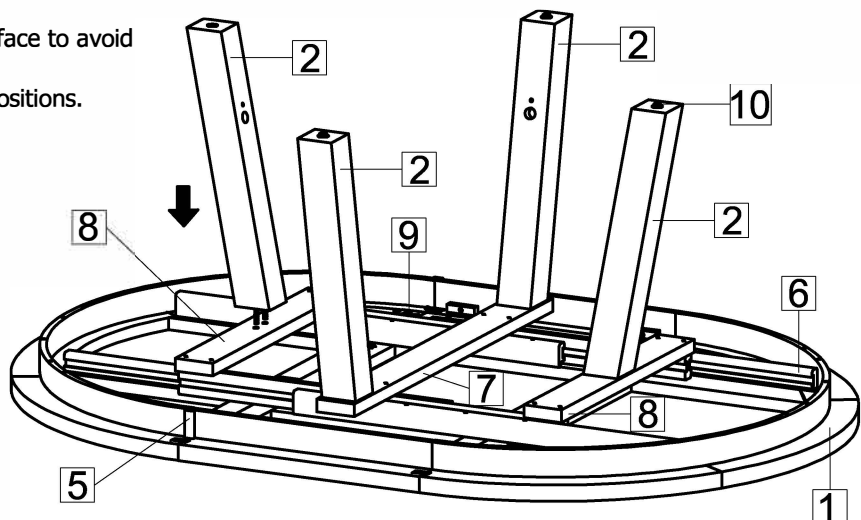
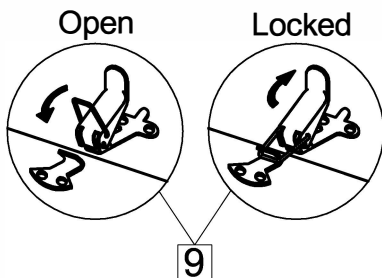
Parts key				Hardware Kit			
No	Code	Qty	Description	No	Description		Qty
1	TT01	1 pc	Table Top	A		Bolt Ø7.8 x 50	4 pcs
2	HC04	4 pcs	Leg - Counter Height	B		Bolt Ø7.8 x 40	1 pc
3	P11L	1 pc	Lower Stretcher- Counter Height	C		Hex Nut Ø8	8 pcs
4	P11U	1 pc	Upper Stretcher- Counter Height	D		Semi lunar washer Ø8 x 30	4 pcs
5	P01A	4 pcs	Apron Spacer	E		Lock washer Ø8	13 pcs
6	TP13	2 pcs	Extension Mechanism	F		Small Flatasher Ø8 x 18	1 pc
7	P29L	1 pc	Mounting board - Long	G		Small Flat washer Ø10 x 22	8 pcs
8	P29S	2 pcs	Mounting board - Short	H		Allen Key K4	1 pc
9	P13L	4 pcs	Extension Lock	I		Wrench 12	1 pc
10	P01L	4 pcs	Leveler				

**PLEASE NOTE:** Assembly requires two people. Follow directions step by step.  
Do not use power tools to assemble

**Step:01** - Put the 2 stretchers (3 & 4) together using the small flat washer (F), lock washer (E) and short bolt (B) as shown.



**Step:02**  
- Carefully place the top on smooth flat surface to avoid scratches.  
- Attach the table legs to the appropriate positions.

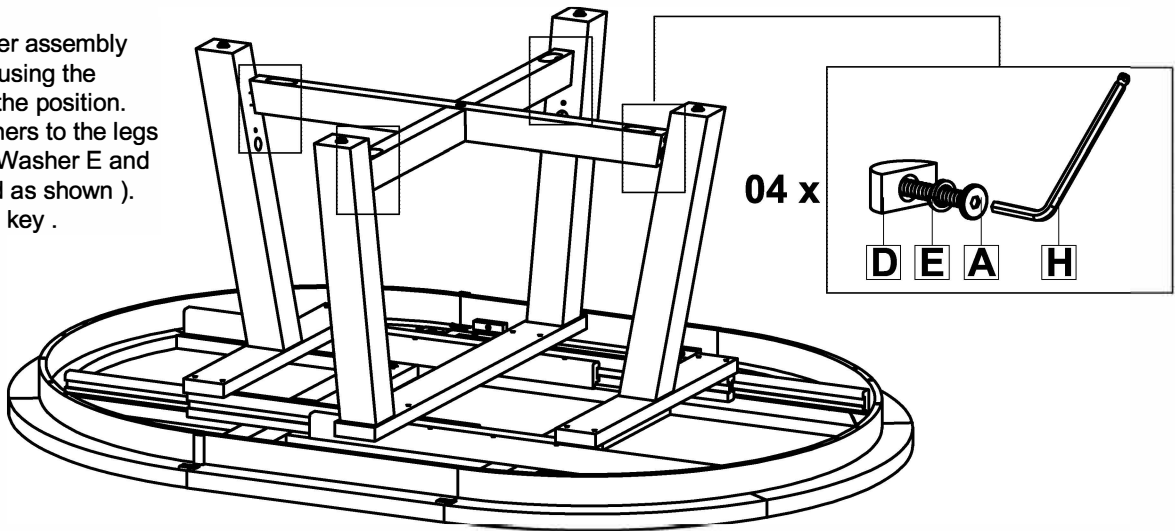


# ASSEMBLY INSTRUCTIONS & PARTS IDENTIFICATION

## COUNTER HEIGHT EXTENSION TABLE

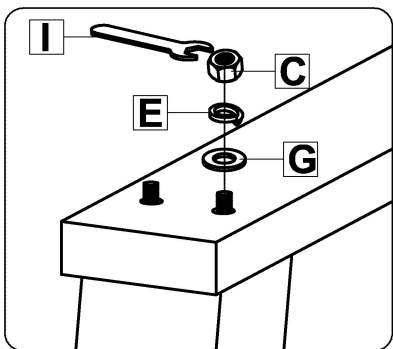
**Step:03**

-Insert the stretcher assembly between the legs using the dowels to line up the position.  
-Attach the stretchers to the legs with Bolt B, Lock Washer E and washer D ( placed as shown ).  
Tighten with Allen key .



**Step:04**

- Attach the legs to the mounting boards with a Flat Washer G, Lock Washer E and Nut C using the wrench provided.  
- Before turning the table over for use, make sure that the legs are tight and the table extension locks holding the leaf are locked.



x 08

