

# E26 Indoor Luminaires

## Wall Mount - Vanity

### 120VAC / 60Hz

### Safety Precautions

- Read all safety precautions and installation instructions carefully before installing or servicing this fixture. Failure to comply with these instructions could result in potentially fatal electric shock and/or property damage.
- It is recommended that a qualified electrician perform all wiring. This fixture must be wired in accordance with all national and local electrical codes.
- Do not handle any energized fixture or attempt to energize any fixture with wet hands or while standing on a wet or damp surface or in water.
- This fixture is designed for use in a 120VAC, 50/60Hz circuit.
- Make sure that the power source conforms to the requirements of the fixture. (See labels on the fixture housing).
- To reduce the risk of electrical shock, and to assure proper operation, this fixture must be adequately grounded. To accomplish proper grounding, there must be a separate ground wire (green) contact between this fixture and the ground connection of your main power supply panel.
- This fixture is intended to be used for general indoor lighting in dry or damp locations.

### Assembly Instructions

#### Step 1 – Preparing for installation

- A. **Disconnect electrical power** at fuse or circuit breaker box before installing or servicing any part of this fixture.
- B. Carefully remove the fixture from the carton, remove components from hardware kit.
- C. Remove mounting bracket (1) from the fixture (3) by removing four screws (4).
- D. Install mounting bracket (1) to the junction box (not included) using two screws (2) to secure it.

#### Wiring – All wiring must take place inside junction box (not included)

**Caution:** Make sure power is off at fuse or circuit breaker box. Check power wires for damage or scrapes. Use wire suitable for at least 90°C (194°F). **Note:** Most dwellings built before 1985 have supply wire rated to 60°C. Consult a qualified electrician to ensure correct branch circuit conductor before installing.

#### Step 2 – Wiring fixture

- A. Make all wire connections to appropriate wire. Secure with wire nuts (provided).
- B. Connect the green wire from the fixture to the supply power source ground wire.
- C. Connect the white wire from the fixture to the white (N) wire from supply power source.
- D. Connect the black wire from the fixture to the black (L) wire from supply power source.
- E. **Do not mix wires.** Pull on each wire lead to make sure connections are secure. Make certain no bare wires are exposed outside of wire connectors. Tuck all connections neatly into the junction box.

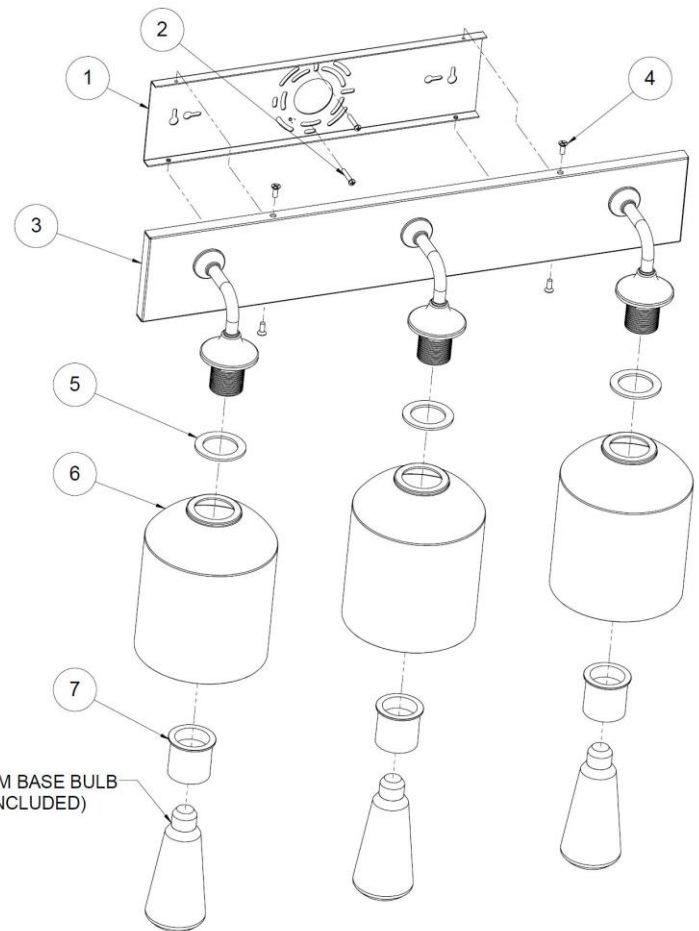
#### Step 3 – Mounting

- A. Install fixture (3) by aligning both top and bottom holes over the mounting bracket (1) then using four screws (4) to secure it.
- B. Install rubber gasket (5) and glass shade (6) over the socket then using socket nut (7) to secure it. Repeat until all glass shades are installed.

#### Step 4 – Lamping (not included)

- A. Install A19 (E26) base type lamp, 60W max rated into socket and twist clockwise rotation until securely snug. Repeat until all lamps are installed.

#### Step 5 – Restore power at fuse or circuit breaker box



View shown for reference only. Individual models may vary.

#### Limited Factory Warranty

We hereby warrant that this fixture is free from defects in materials and workmanship when installed and used under normal operating conditions for a period of 5 years from date of purchase. This warranty covers all component parts and extends only to replacement of defective fixture or components; it does not cover failure due to improper installation, misuse, mishandling or damage incurred in transit.