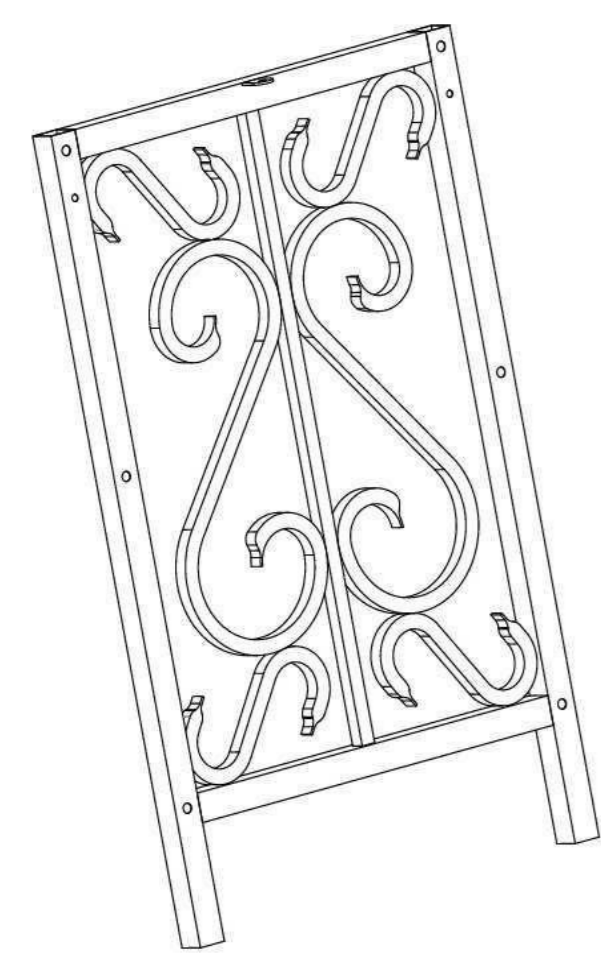


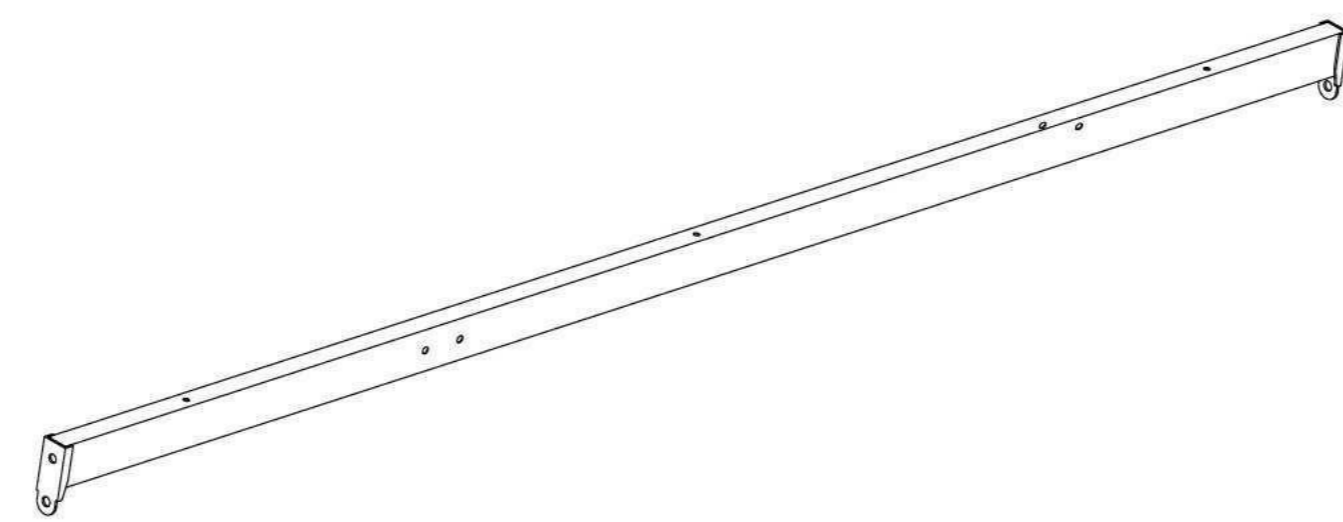
# ASSEMBLY INSTRUCTION

## TV STAND/SOFA TBL (3A)

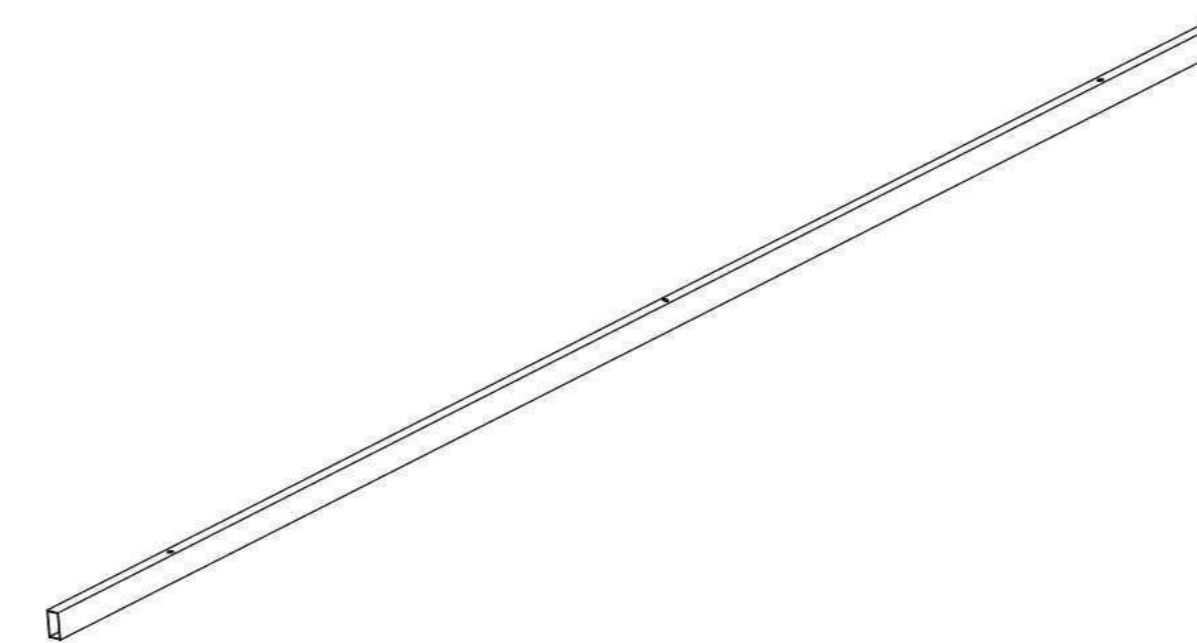
### PART LIST:



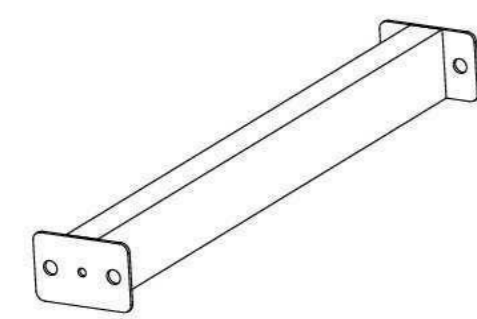
A:Side Frame  
2PCS



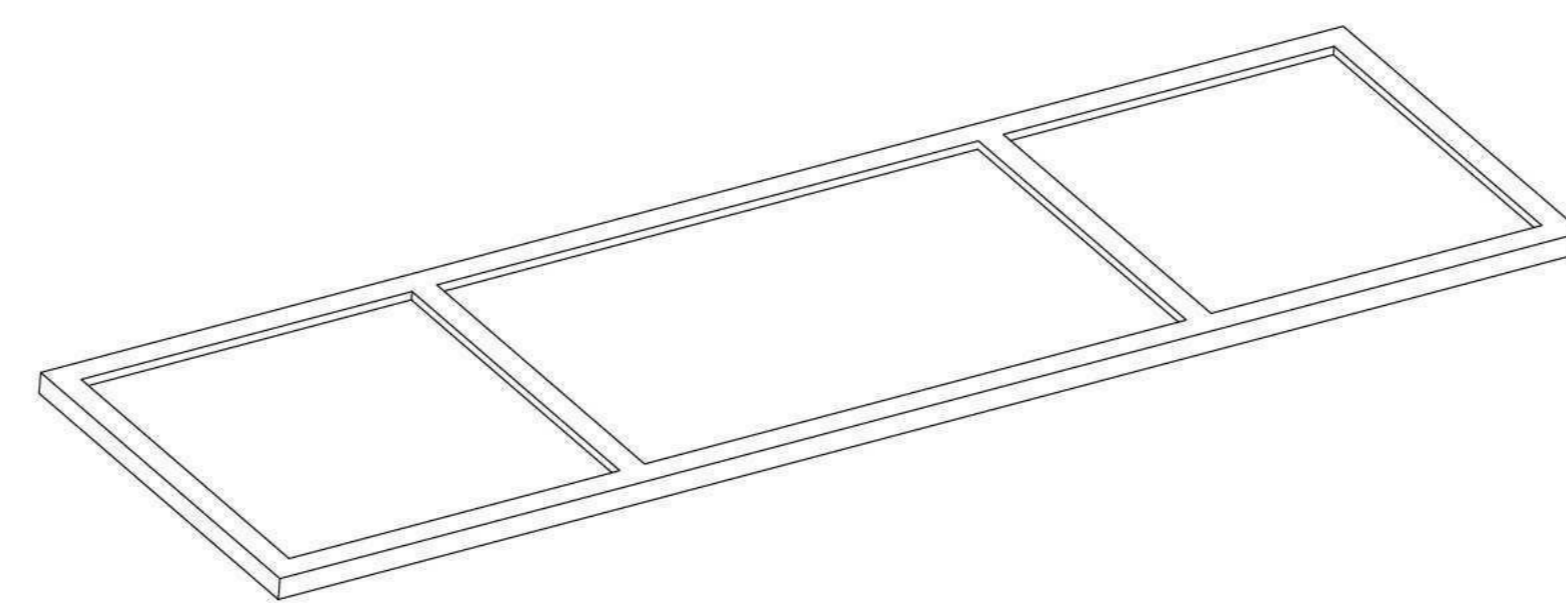
B:Table Top Cross Bar  
2PCS



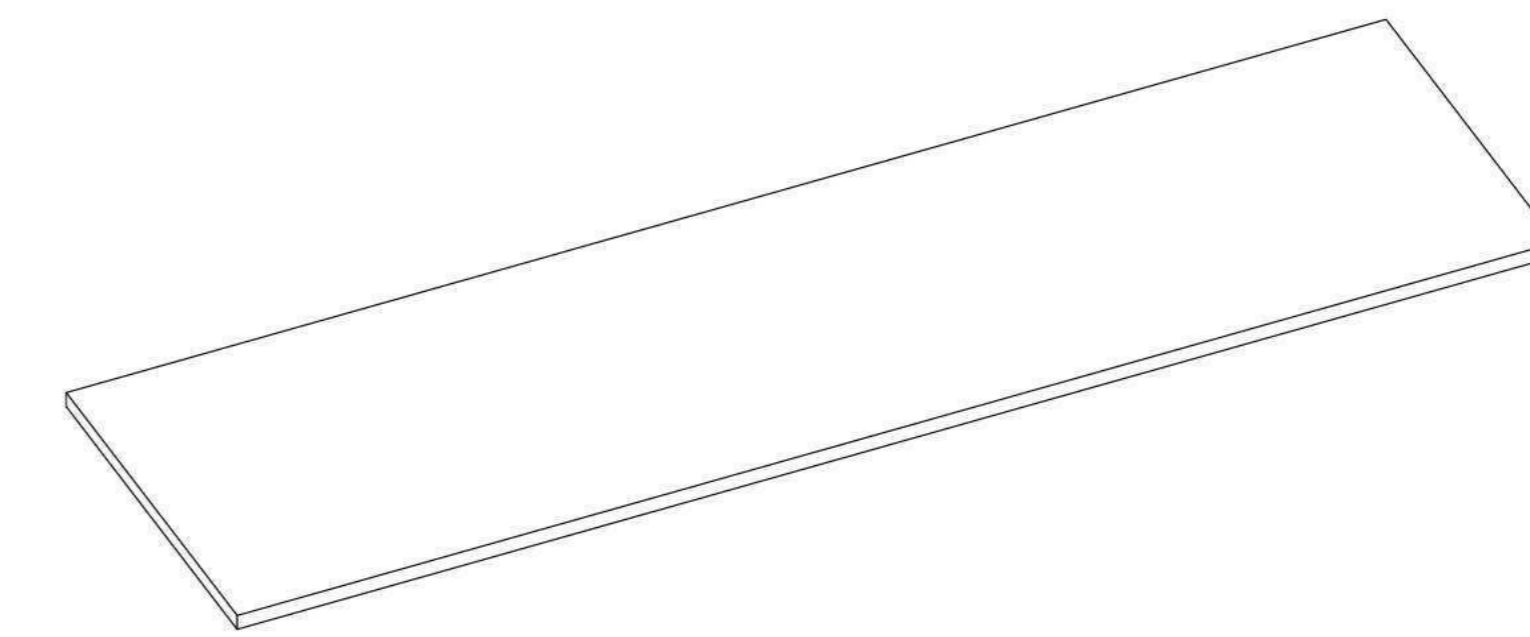
C:Shelf Cross Bar  
4PCS



D:Table Top Center Suppo  
2PCS

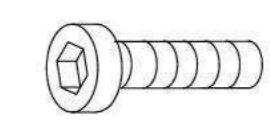
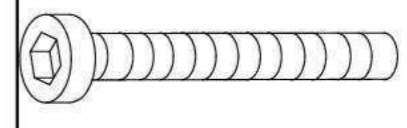
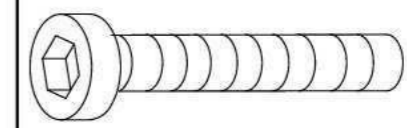
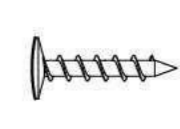
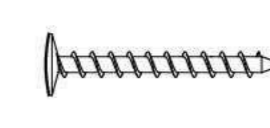




E:Table Top  
1PC



F:Shelf  
2PCS

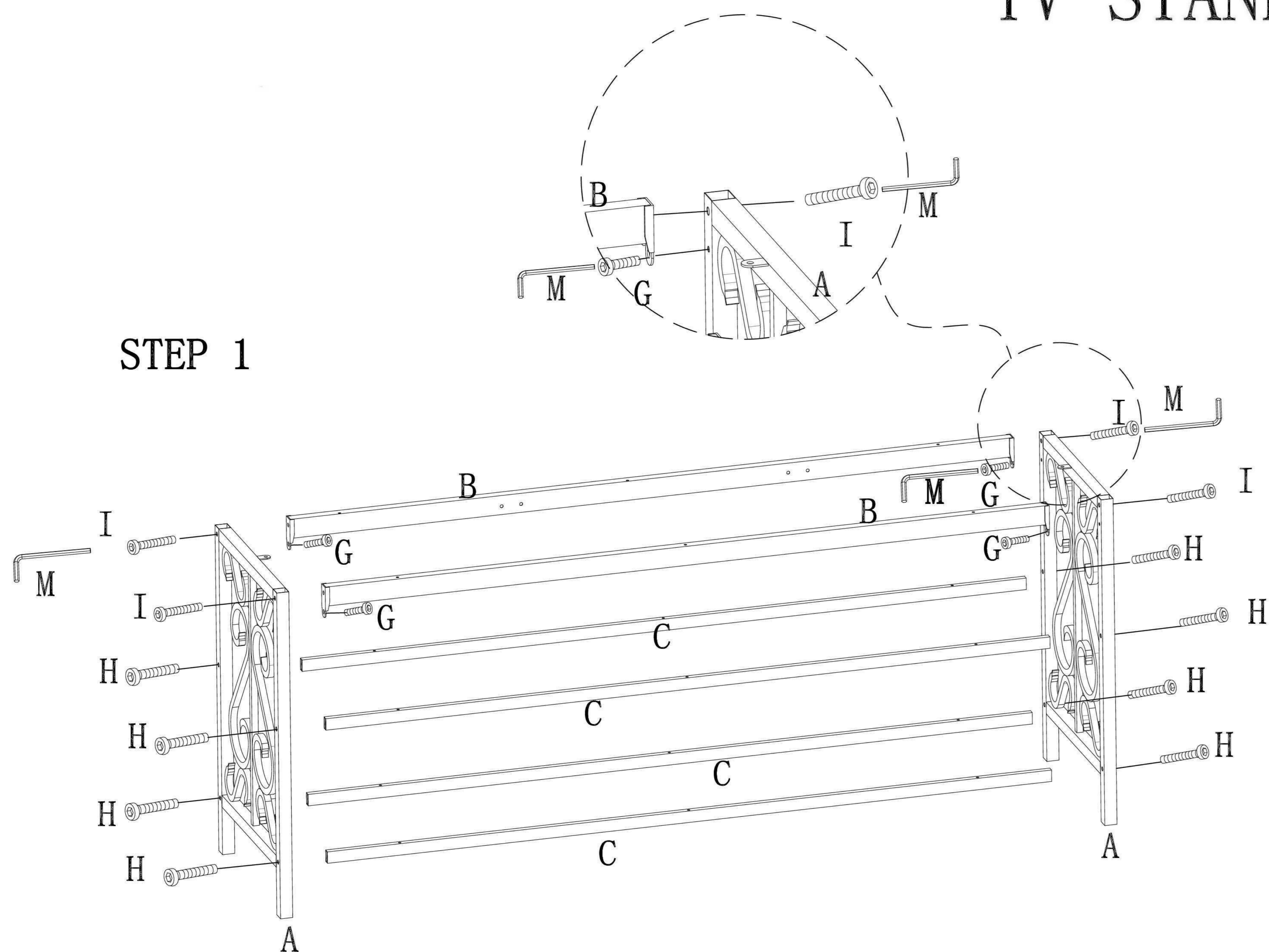
### HARDWARE LIST

G		Bolt	1/4"*16mm	12pcs
H		Bolt	1/4"*43mm	8pcs
I		Bolt	5/16"*43mm	4pcs
J		Screw	M5*16mm	2pcs
K		Screw	M5*38mm	12pcs
L		Screw	M5*58mm	6pcs
M		L-Allen Key	4mm	1pc

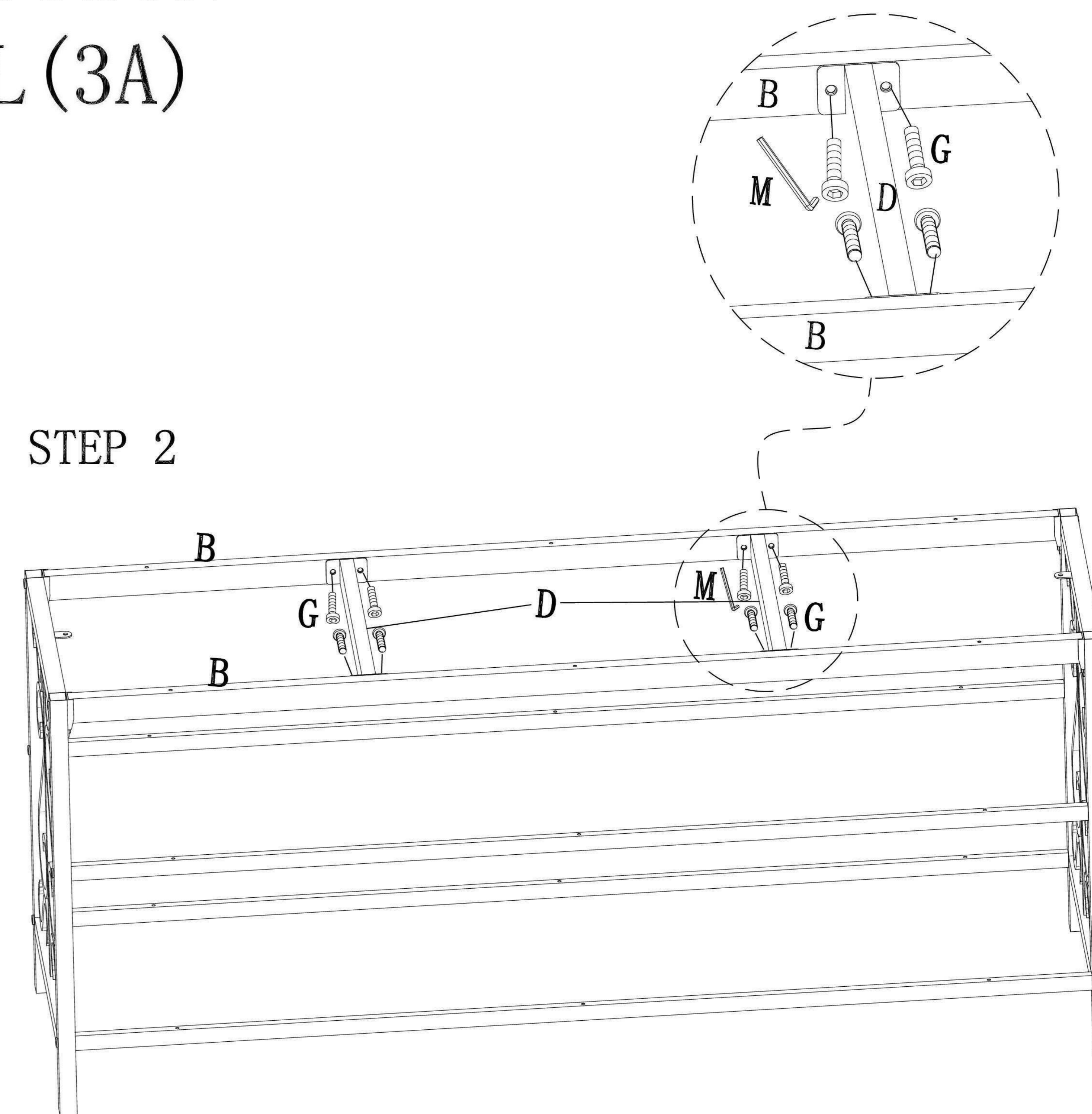
# ASSEMBLY INSTRUCTION

## TV STAND/SOFA TBL (3A)

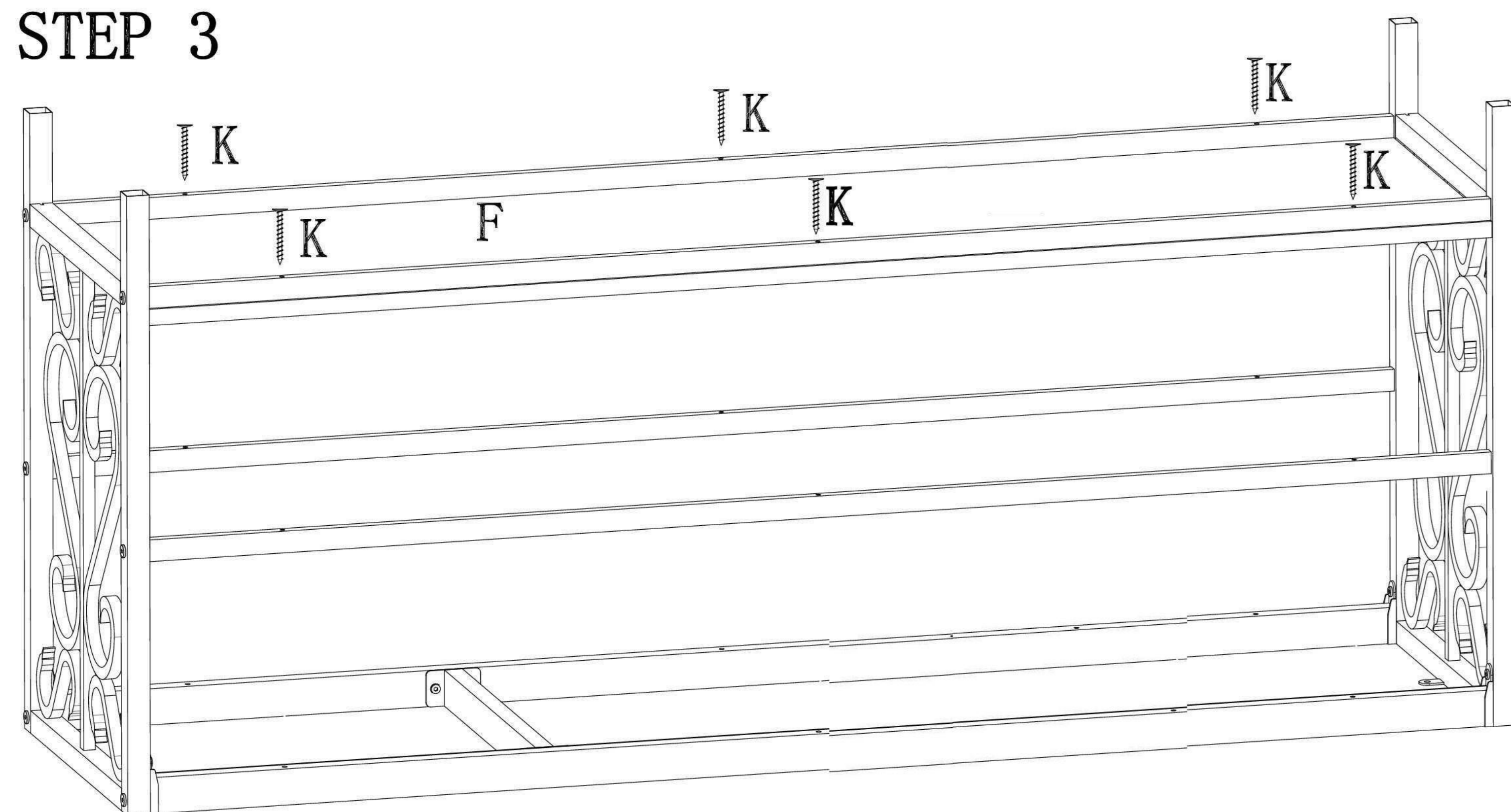
STEP 1



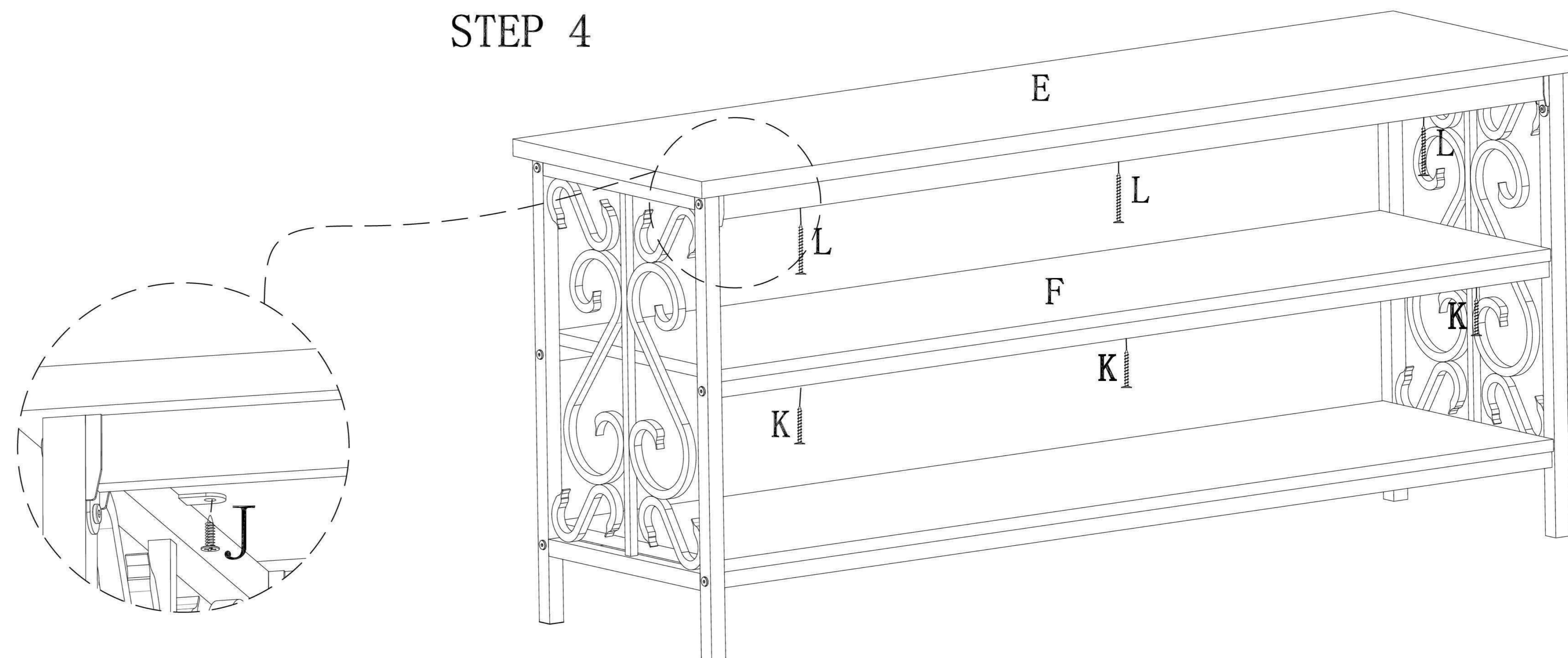
STEP 2




STEP 3



STEP 4



 For items use on wooden floor, stone surfaces or carpets, it is recommended to Install protective pads under all legs and supports to avoid/prevent rom damages/scratches and discoloration.