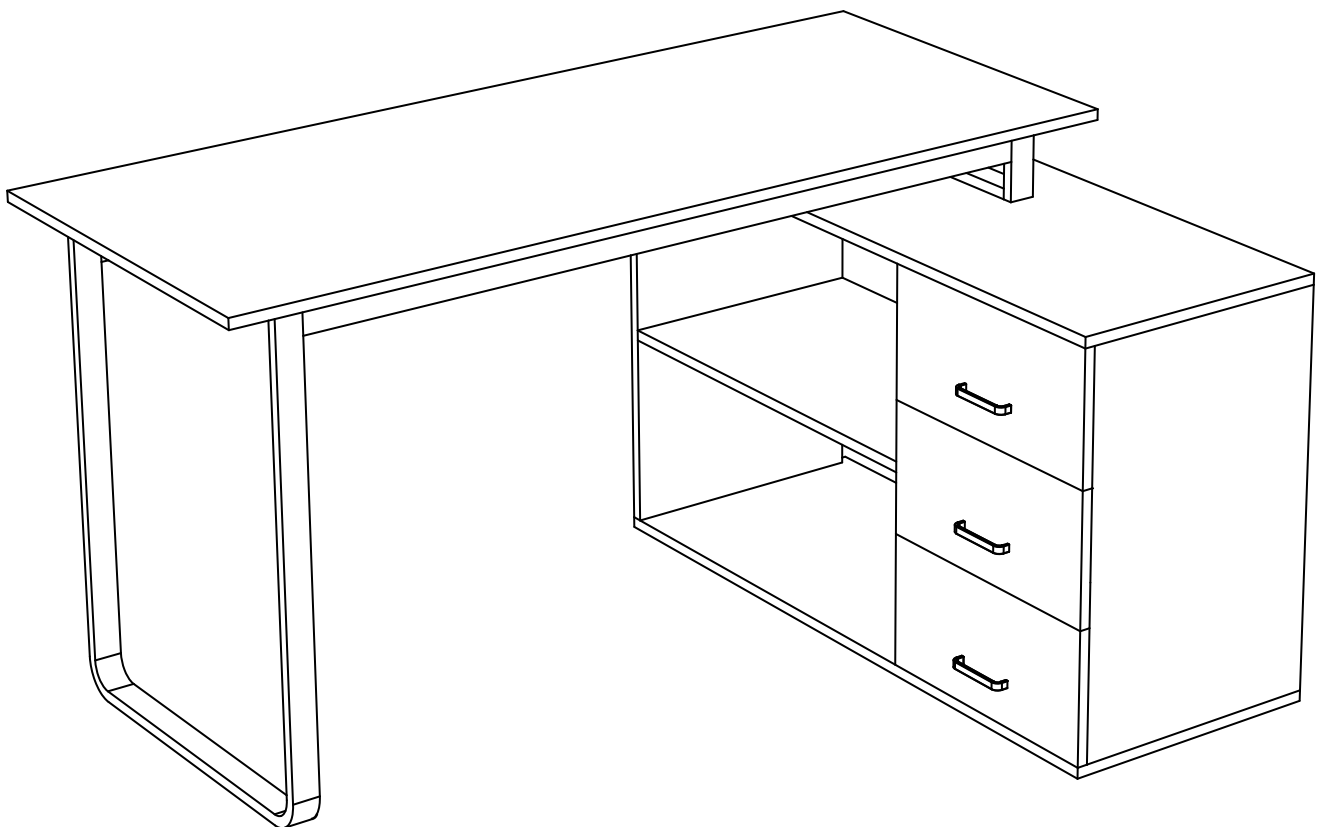
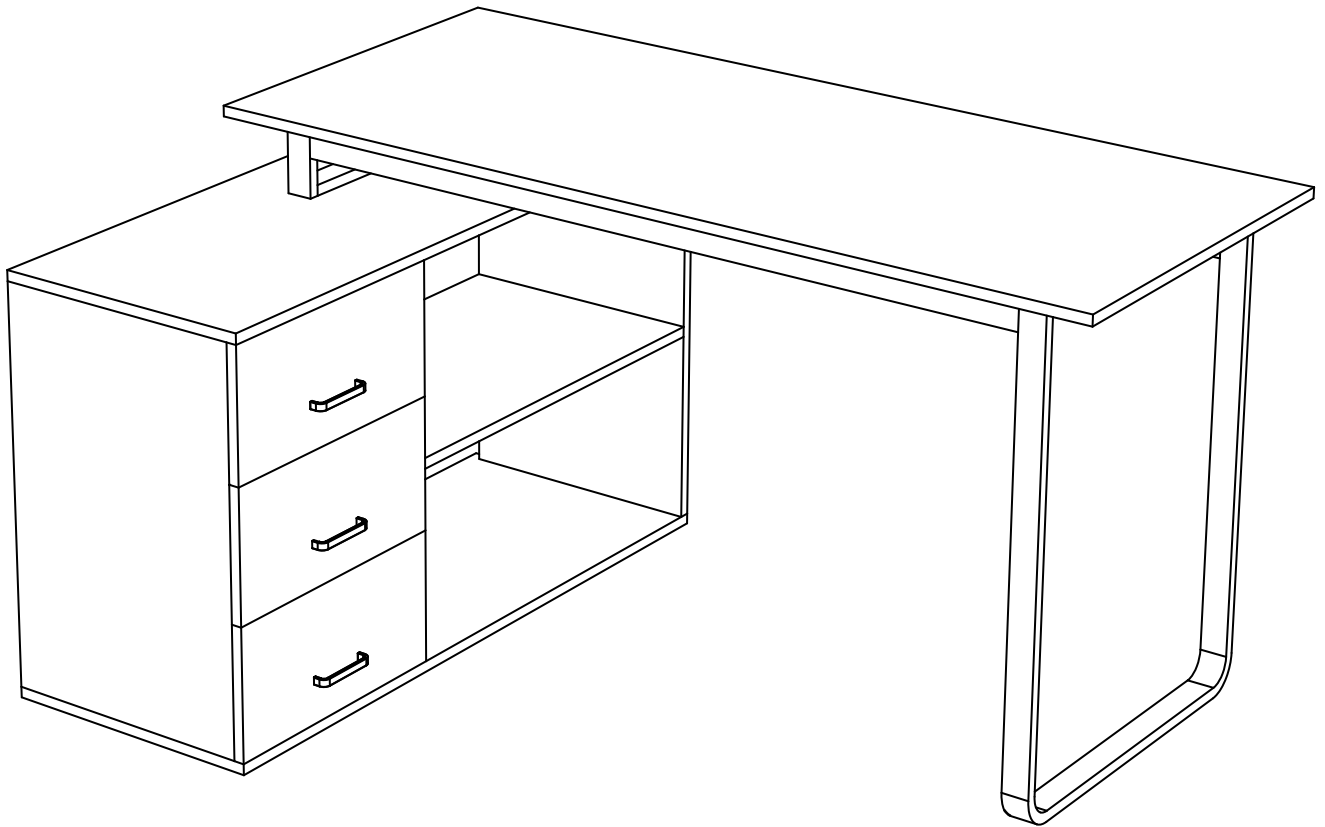



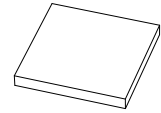

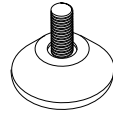

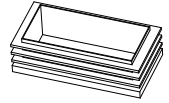
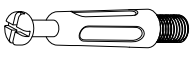
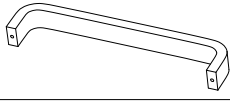
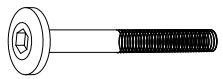
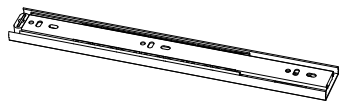


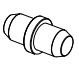
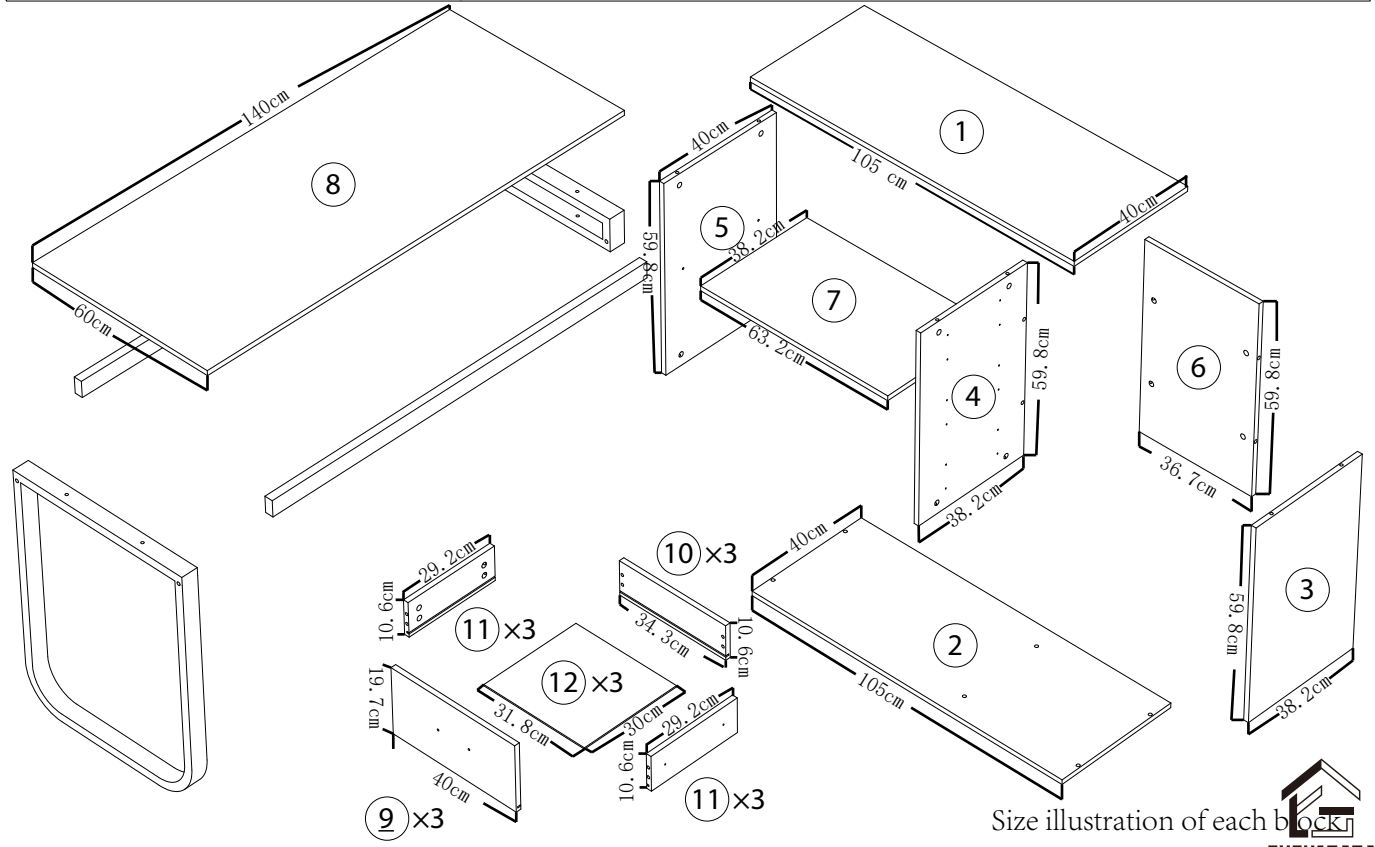






ASSEMBLY INSTRUCTIONS

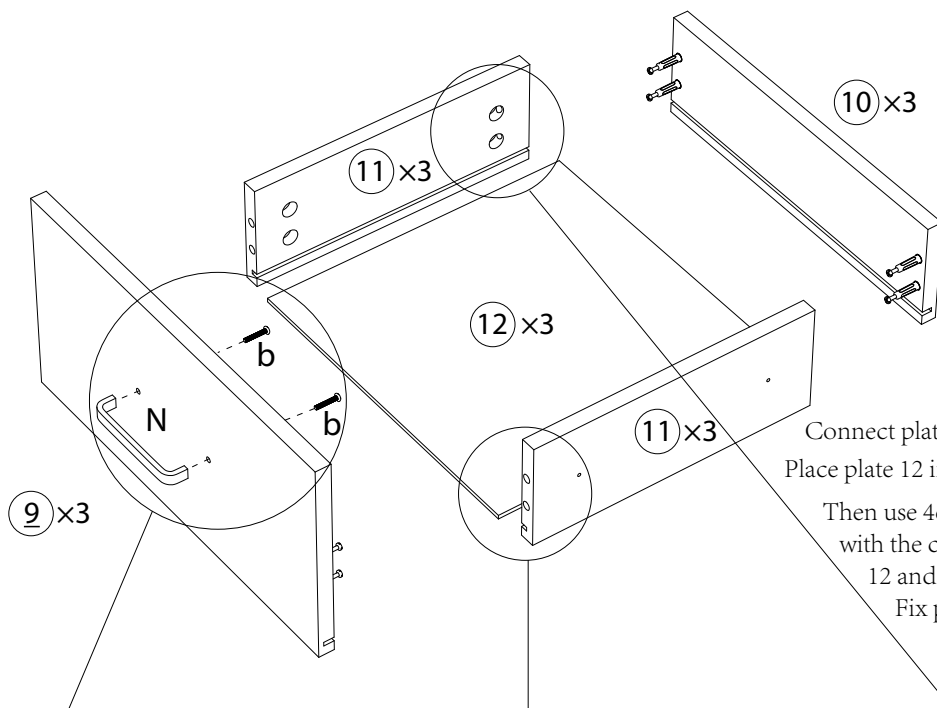


LETTER	DRAW	NUMBER	LETTER	DRAW	NUMBER
a		x12	i		x6
b		x6	J		x2
c		x2	K		x2
d		x2	L		x2
e		x48	M		x3
f		x4	N		x6
g		x48	P		x1
h		x5			

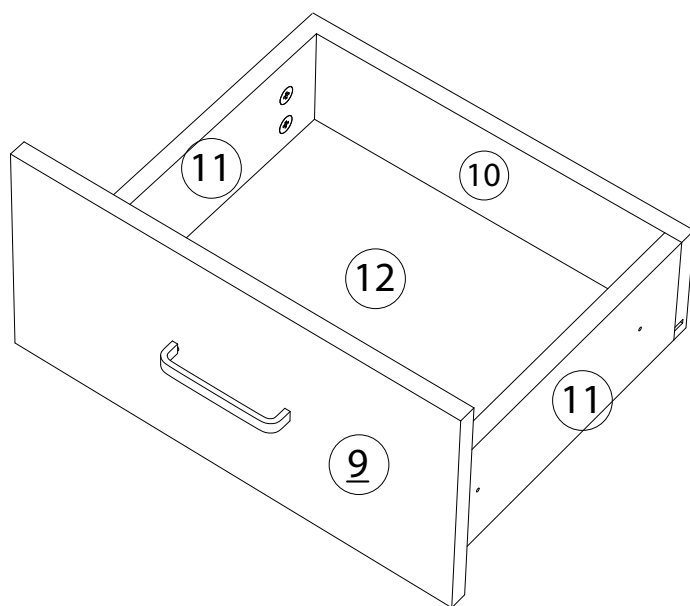
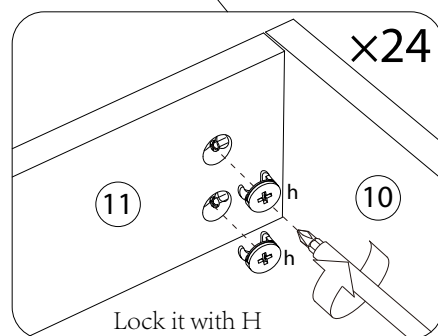
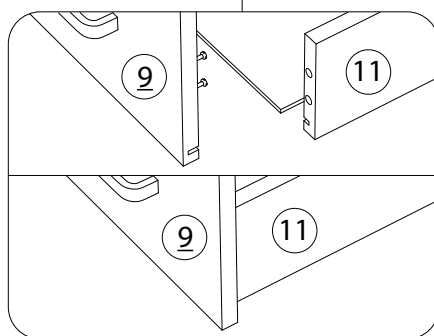
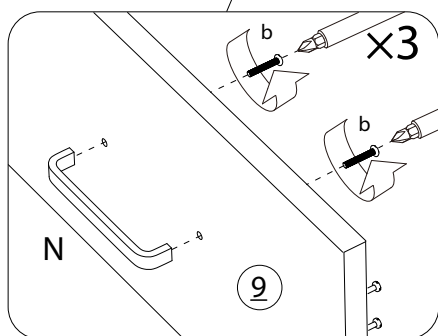


Step1

			
b × 6	e × 24	g × 24	M × 3



Connect plates 11, 13 with 4cm nuts
 Place plate 12 into the slot of two plate 11
 Then use 4cm nut to connect plate 9
 with the connected plate 11,
 12 and 13
 Fix plate 9 and N with B



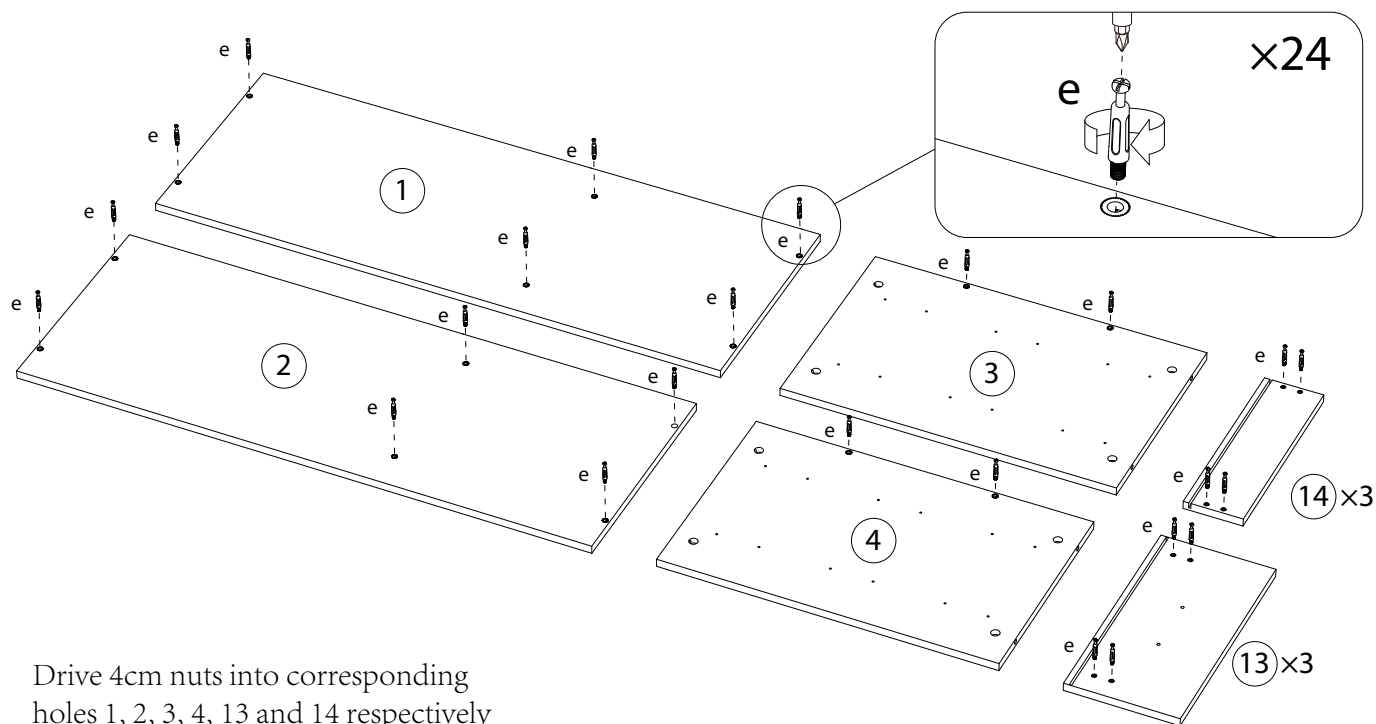
× 3

Drawer installation completed

Step2



e × 24

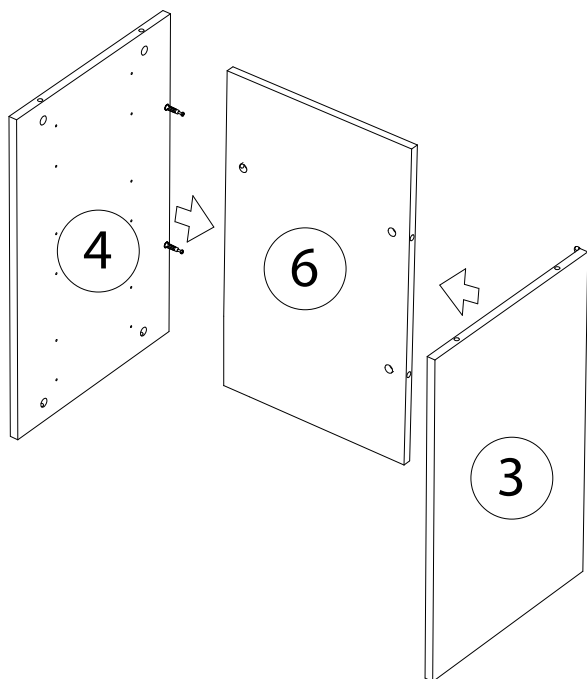


Drive 4cm nuts into corresponding holes 1, 2, 3, 4, 13 and 14 respectively

Step3

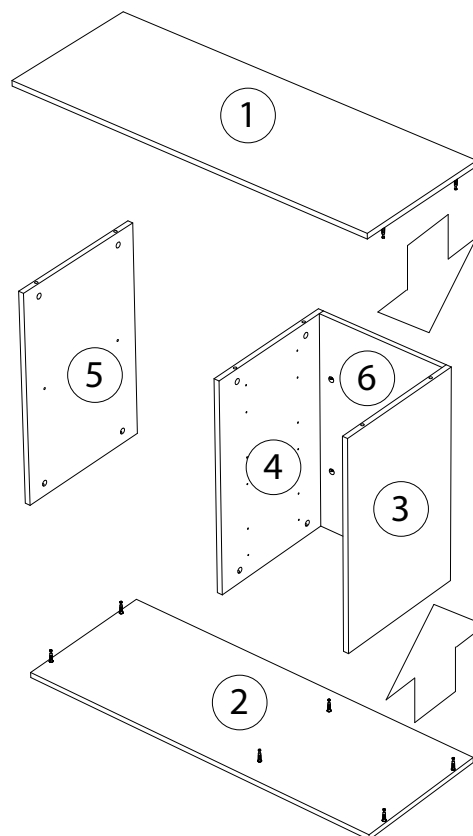


g × 4



Connect plate 6 with plates 3 and 4 with nuts installed before



Step4

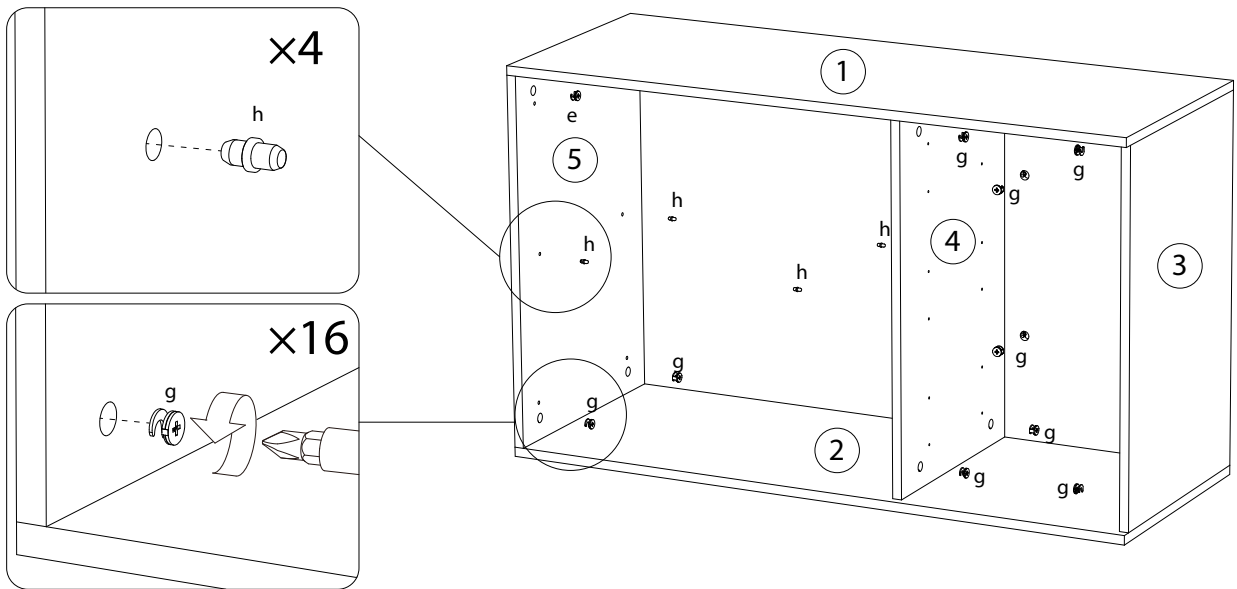


Place No. 1, 2, 3, 4, 5 and 6 plates into corresponding holes

Step5

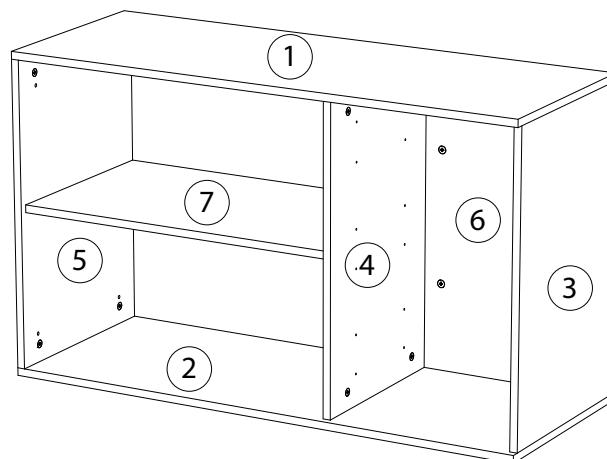
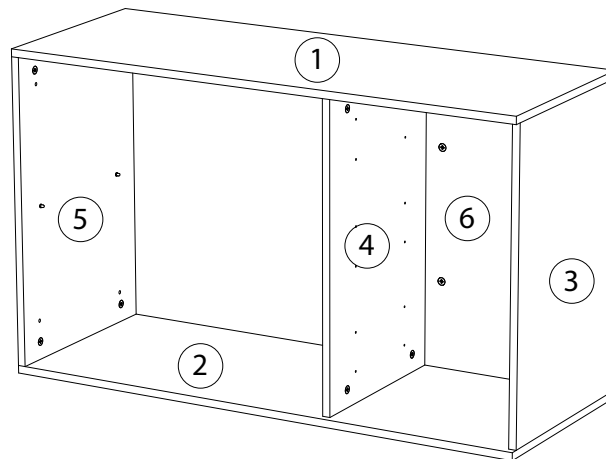
Put I into the corresponding hole

	
g x16	h x4



Use h to lock the hole
where the nut is just placed

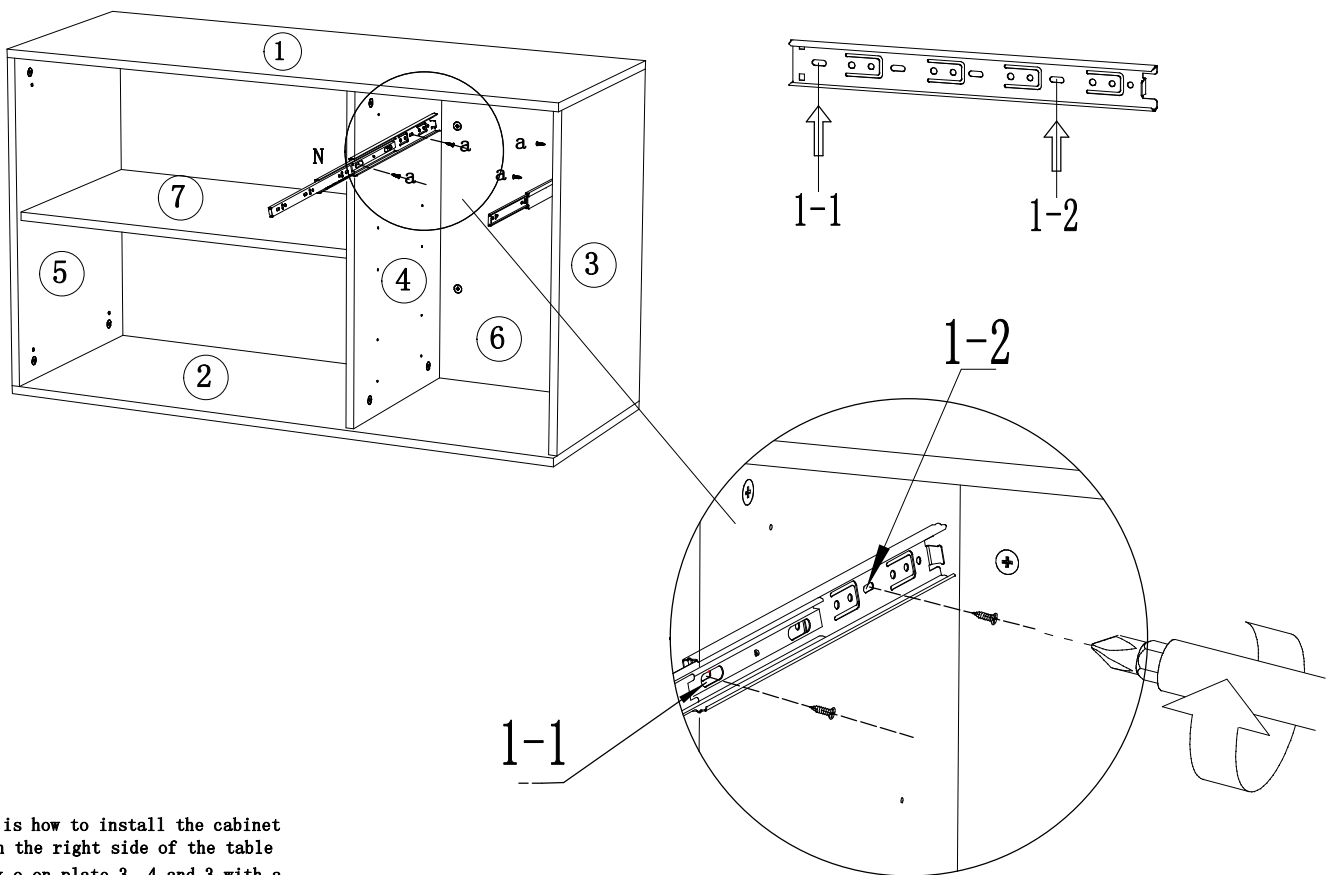
Step6



Position plate 7 in the position I just inserted

Step7

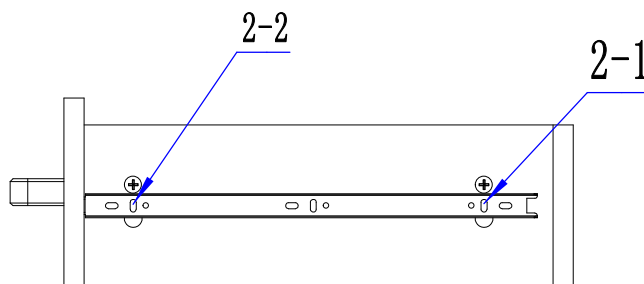
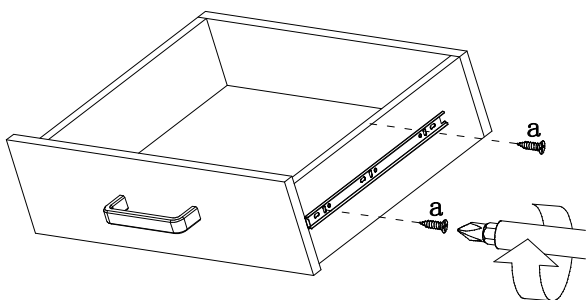
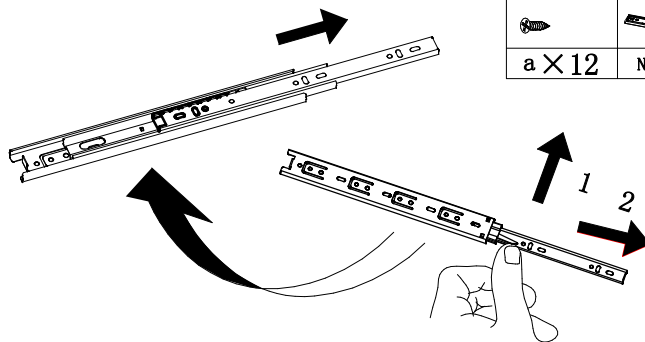
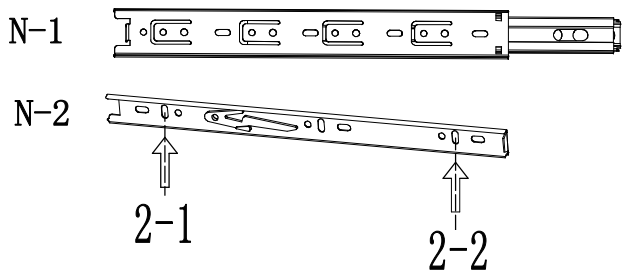
a × 12	N × 6



This is how to install the cabinet
on the right side of the table
Fix o on plate 3, 4 and 3 with a

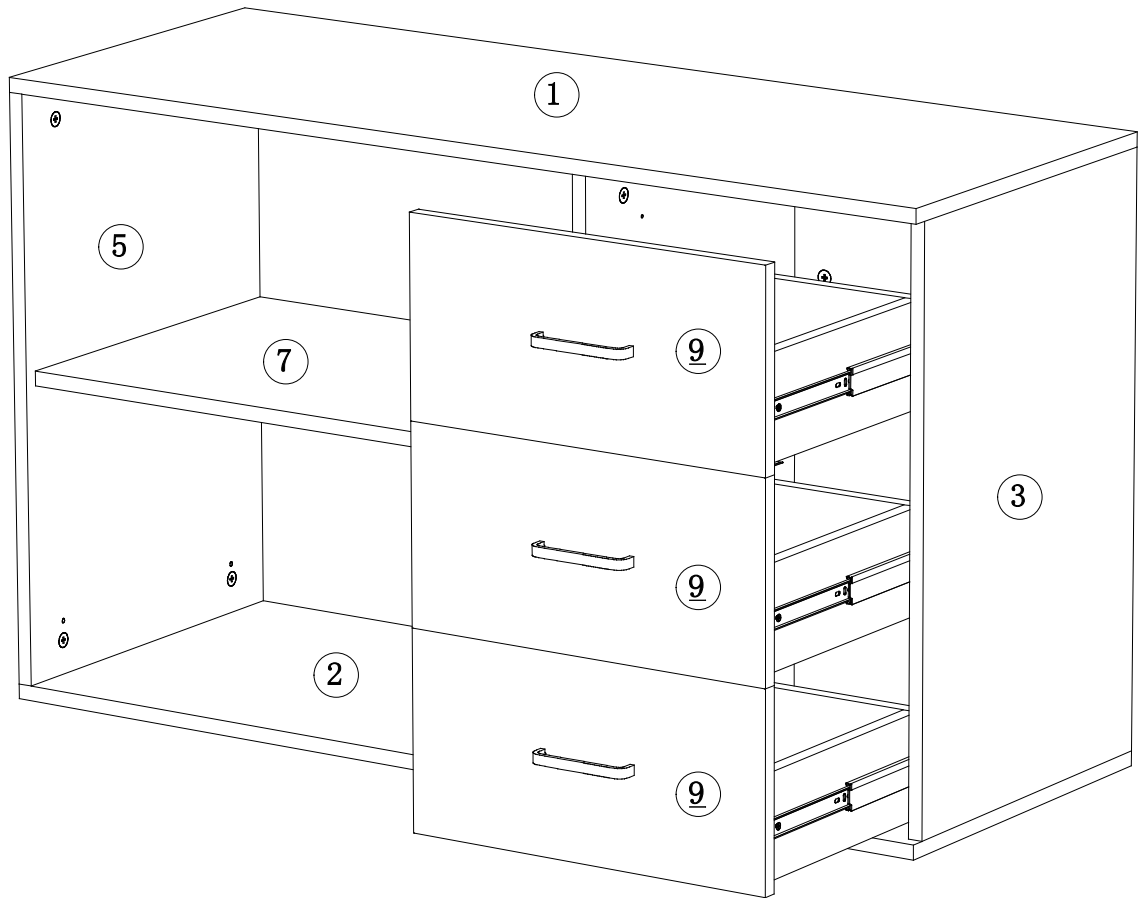
Step8

a × 12	N





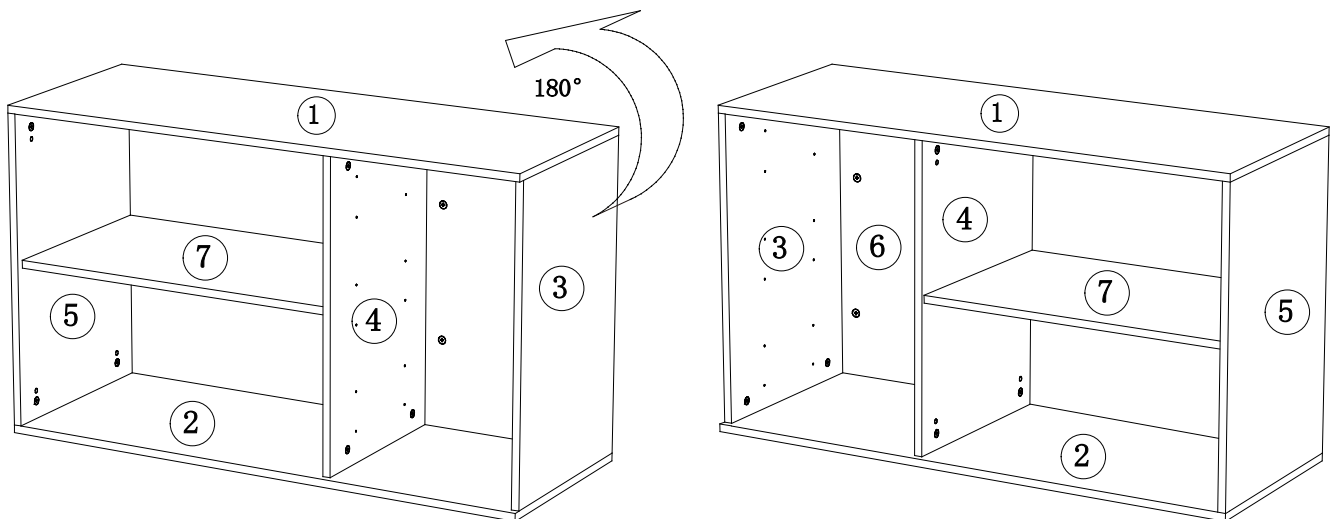
Step9



Install the drawer on the slide rail

Step10

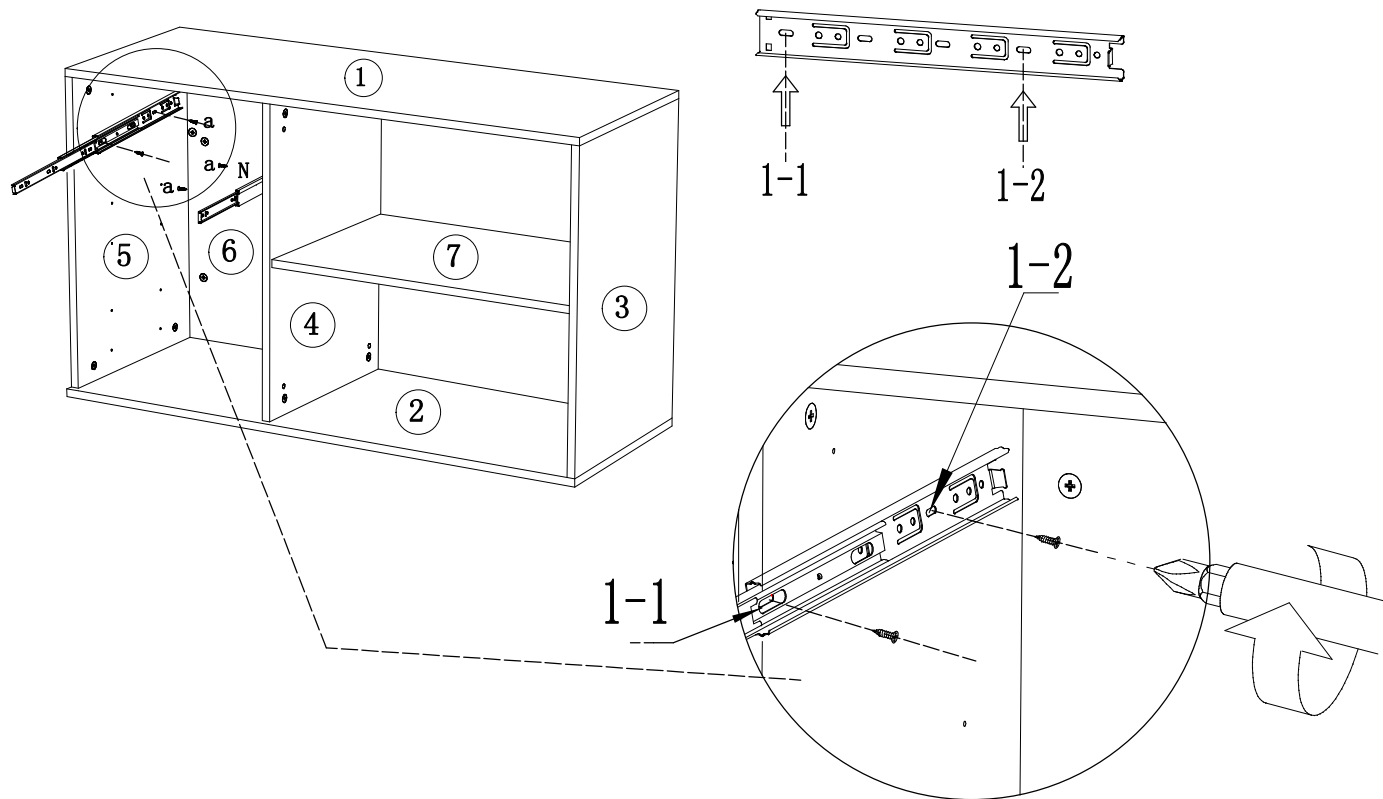
This is how to install the cabinet on the left side of the table



Turn the cabinet 180°

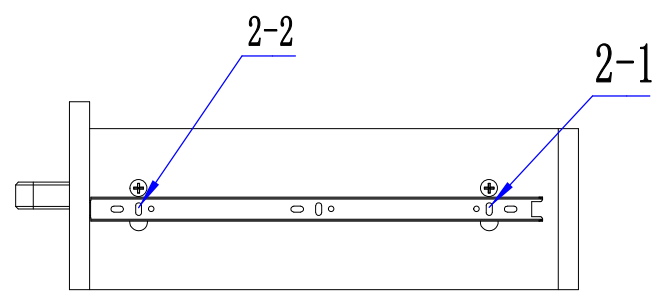
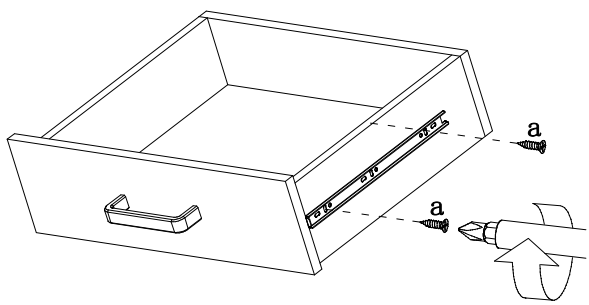
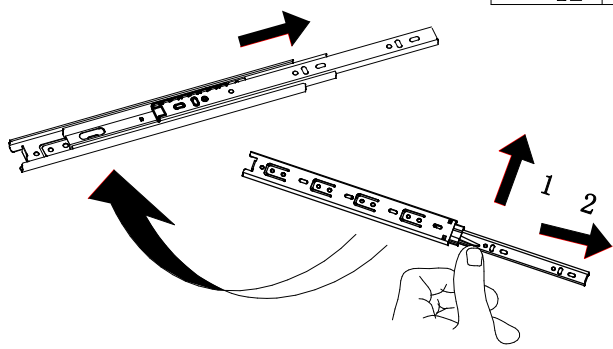
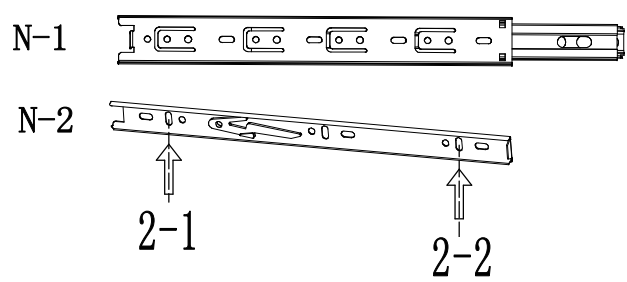
Step11

a × 12	N × 6



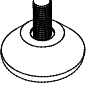

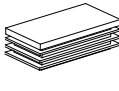
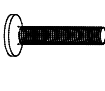
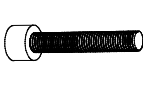
Step12

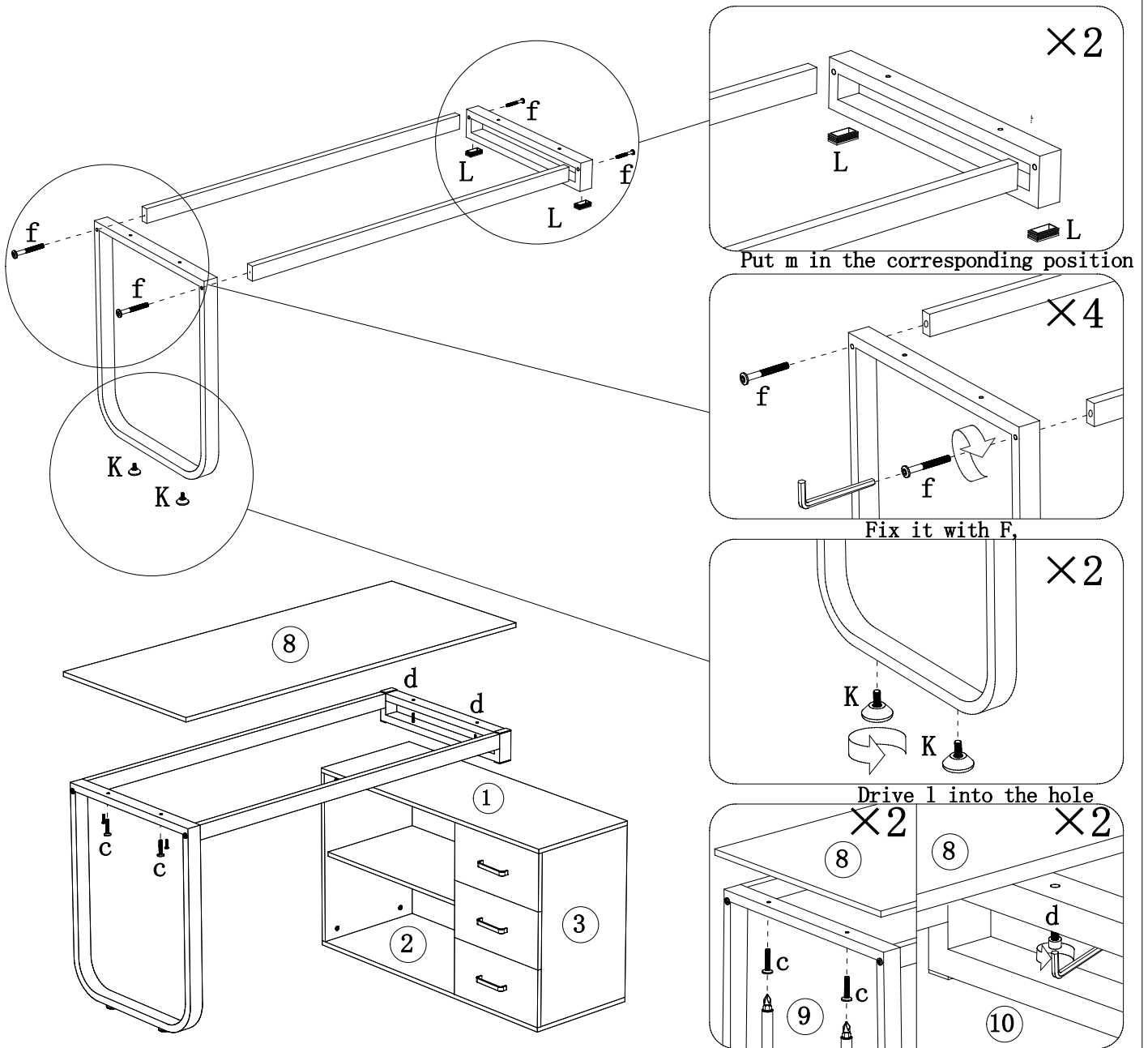
a × 12	N



The cabinet is on the left side of the table and the drawer is on the left side of the cabinet

Step13

				
K ×2	f ×4	L ×2	c ×2	d ×2

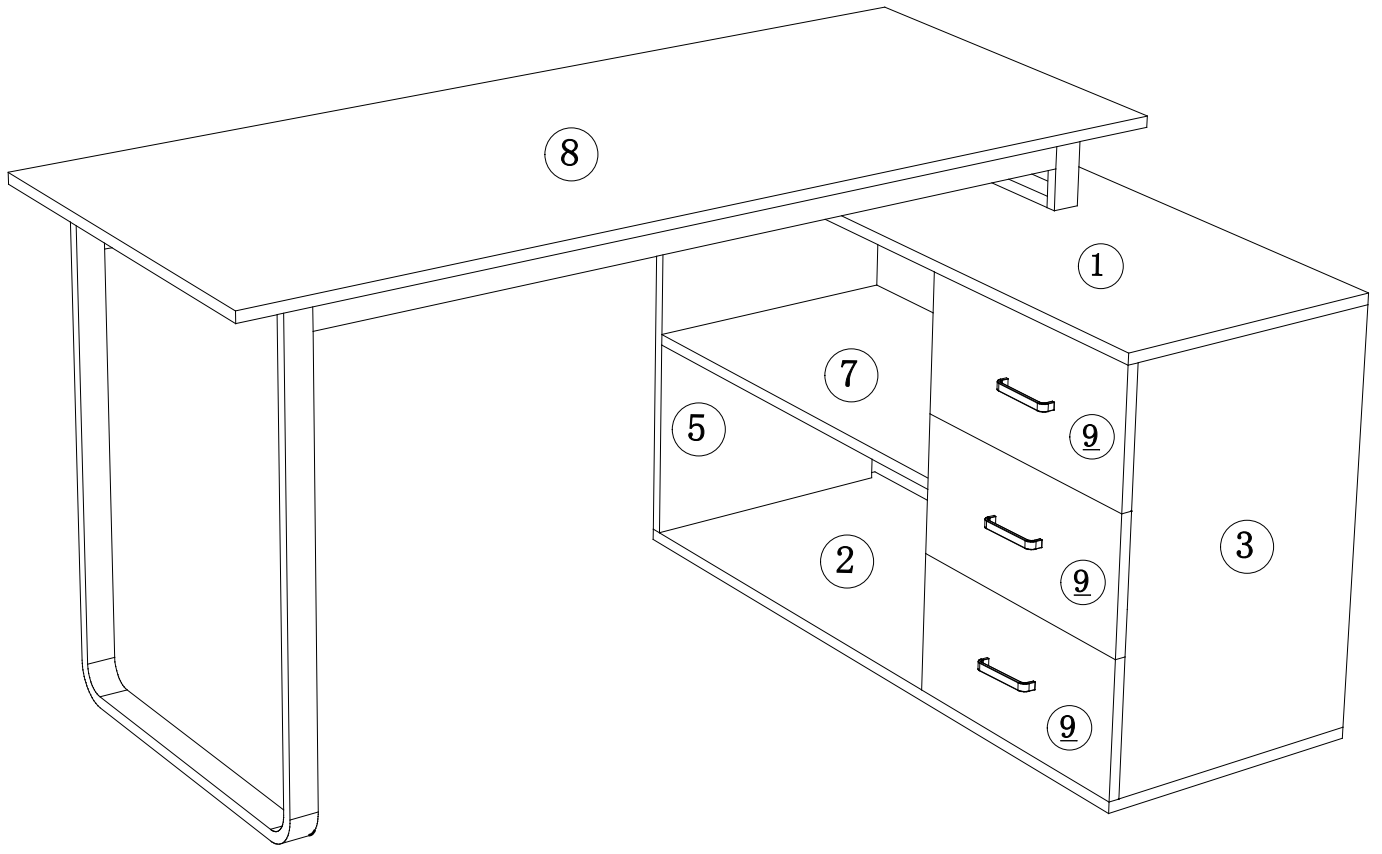


Put m in the corresponding position

Fix it with F,

Drive l into the hole

Use C and D to fix the accessories and No.8 plate



Installation is complete



*If you have any questions about the product,
please do not hesitate to contact customer service.*

5 star rating



Visit your local retailer's website, rate your purchased product and leave us some feedback!

We would like to extend a big "Thank You" to all of our customers for taking the time to assemble this FAFU&GAGA product, and to give us your valuable feedback.

