

UK
CA CE

MANUAL INSTRUCTIONS

Index

1、 Specifications and types.....	2
2、 Notice	3
3、 Installation procedure.....	4
4、 Remote control using.....	5
5、 Appendix	6
6、 Direction for use.....	7
7、 Cleaning and maintenance.....	8

Instructions

* Thank you for choosing the product of our company. Please read the "Manual instruction" carefully to ensure that you can fully understand the installation and use of this product. After reading you can save it for further use. Main function: Indoor illumination (living room, bedroom etc.)

Specifications and models

Product name	Ceiling light
Model	1
Power	60W
Power supply	AC175-265V 50/60Hz
Color temperature	3000K-6500K
Light source	LED
Size of the light	78*60*13cm

Safety guidance and notice

Incorrect installation and use can cause necessary damage and harm. Please read the "Manual instruction" carefully before use for your safety and better use of this product .



Warning: Follow the instruction to install and use to prevent personal safety accidents, such as lamp damage, falling down, electric shock, fire, etc.. Do not dismantle the lamp or replace any parts.

- * Do not use power beyond the rated range (nominal voltage 220/10%, frequency 50 Hz). (Using power beyond the rated voltage range for a long period of time may cause damage to the lamp.)
- * Do not install the lamp above the objects in hot or humid areas.(Do not install the lamp above an oven, gas or exhaust pipes to avoid damage.)
- * The wiring of the power should not be connected in series with other appliances and parallel counters should not be used.
- * Please find a professional electrician to check and repair the lamp.(Unprofessional repair and replacement of parts can be life-threatening .)
- * If there is anything abnormal about the lamp, cut off the power and report to a professional.



Warning



Before installation of the light,
cut off the power to avoid
electric shock.

Installation procedures



● Please find a professional to install this product for your safely use.

Screw fitting

x 10



x 10



x 4



x 4



x 4



x 1



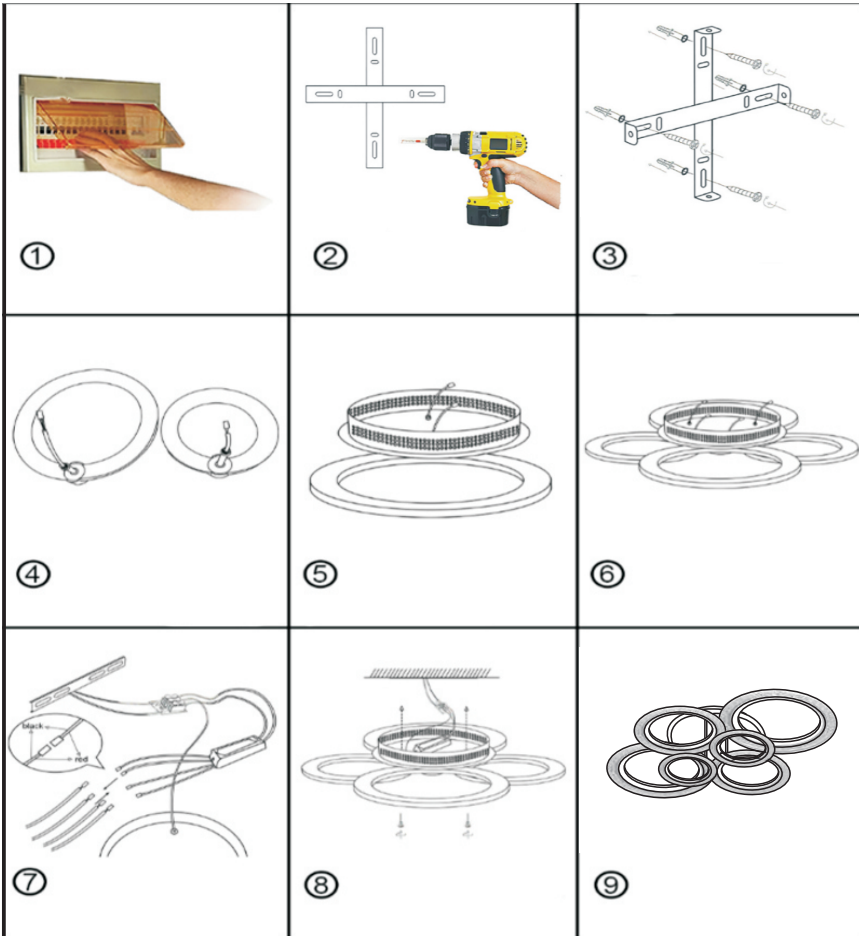
5cm x4
8cm x4
11cm x2

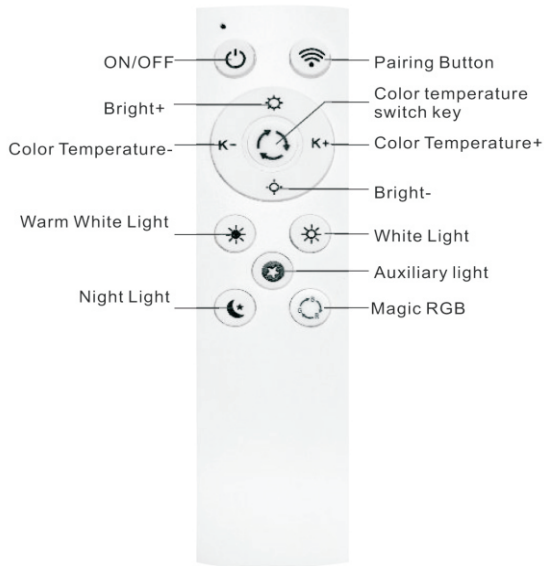


x 1



Installation steps:





ON/OFF



Press this button once in 10 seconds after the lamp has been powered on

CODING MODE

After the lamp is electrified, press the SETUP key (code key) on the remote control quickly in 10 seconds. The light flashes indicate the code is successful, (here is, turn off the total power supply of the lamp, and then repeat this step until the light flashes and the alignment is successful).



Long press or click this button, brightness will increase



Long press or click this button, brightness will decrease



Long press this button, the color temperature increases and the light is solar white.



Long press this button, the color temperature decreases, and the light is warm white.

In RGB mode, press K+ to speed up and K- to slow down

Color temperature switch key



Press this button, the lamp turns into warm light (3000K)



Press this button, the lamp turns into white light (5700K)



Press this button, the lamp becomes full light



Press this button, the lamp becomes auxiliary light



Magic RGB

Press this key, there are 14 modes, each press will present a different light color effect



MemoryIC: turn on the light next time and remember the state before turning off the light last time



Environmental precautions



Information on Disposal for Users of WEEE

The wheelie bin symbol on the product (s) and/or accompanying documents means that used electrical and electronic equipment (WEEE) should not be mixed with general household waste.

For proper treatment, recovery and recycling, please take this product (s) to designated collection points where it will be accepted free of charge.

Alternatively, in some countries, you may be able to return your products to your local retailer upon purchase of an equivalent new product.

Disposing of this product correctly will help save valuable resources and prevent any potential negative effects on human health and the environment, which could otherwise arise from inappropriate waste handling.

Please contact your local authority for further details of your nearest designated collection point.

Please refer to the installation instructions for details:

1. Please turn off the main power supply
2. Drill the mounting holes for mounting plate on the ceiling.
3. Fix the mounting plate by corresponding screws.
4. Put the smaller frame on one side into the corresponding hole of the base and fix it with screws.
5. Lock the corresponding connection tubes and screws
6. Put the larger frame into the corresponding hole of the base and fix it with screws.
7. Connect the wire on power adapter to the wire on the frame.
Tips: Red wire to red, then black wire to black.
8. After the lamp is installed, connect the wire on the power adapter to the wire on the wall, test whether the lamp is normally lit, turn off the power after the normal lighting, and then fix the lamp body on the mounting plate and fix it with screws.
9. After the installation check whether it's all fixed. Then turn on the power to light.

Special attention: The interface must be of the same color before power on



- Please wear gloves during installation. If there are stains or sweat on the hardware, remove them in time.
- The lamp must be firmly installed when installing a fixed lamp. Ensure that the installation medium can bear the weight of the lamp body. After installation, the lamp body should be checked whether it's fixed on the ceiling to make sure that the lamp will not fall.

Direction for use

- Don't touch or scratch the surface of the light with hard object.
- Don't hang things on the lamp or dry the clothes with the lamp

Cleaning (please clean and check the lamps once every 6 months)

- Regular cleaning and inspection(every 6 months) should be taken for the safe and effective use of this product. When cleaning the lamp, cut off the power.(During the repair process, the appropriate product model must be provided and the contents of the light displayed must be viewed.) Use soft cloth to wipe it clean. Do not use to clean, otherwise loss of color and damage to the lamp will occur.
- When cleaning the lamp body, gently wipe it with a soft dry cotton cloth. Don't use wet cloth or other volatile liquid.
- When cleaning the lampshade, please use a clean feather duster to tenderly swipe the surface to avoid fouling the lampshade or causing deformation.



Warning



Cut off the power and wait until it's fully cool down before cleaning and other operation.