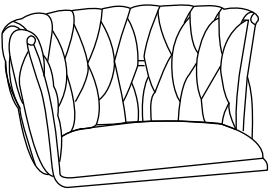
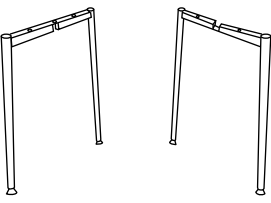
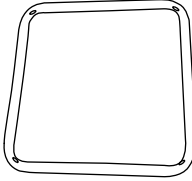
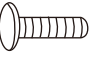
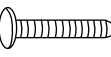



# ASSEMBLY INSTRUCTION

|  |  |  |
|--|--|--|
| Ax1<br> | Bx2<br> | Cx1<br> |
| Dx5<br> | Ex4<br> | Fx1<br> |

