

ASSEMBLY INSTRUCTIONS



DINING TABLE

PAGE 1 OF 6

ASSEMBLY INSTRUCTIONS

ASSEMBLY TIPS:

1. Remove hardware from box and sort by size.
2. Please check to see that all hardware and parts are present prior to start of assembly.
3. Please follow attached instructions in the same sequence as numbered to assure fast & easy assembly.



WARNING!

1. Don't attempt to repair or modify parts that are broken or defective. Please contact the store immediately.
2. This product is for home use only and not intended for commercial establishments.

ASSEMBLY TIME 30 MINUTES

PARTS IDENTIFICATION

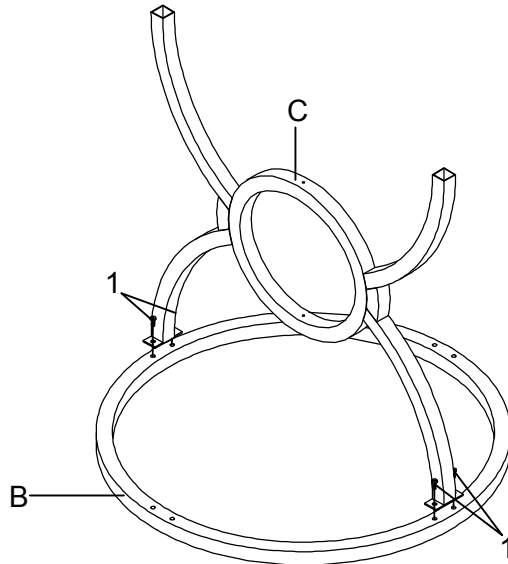
A	GLASS *GLASS SOLD SEPARATELY.*		1PC
B	TOP FRAME		1PC
C	LARGE FRAME		1PC
D	LEFT FRAME		1PC
E	RIGHT FRAME		1PC

HARDWARE IDENTIFICATION

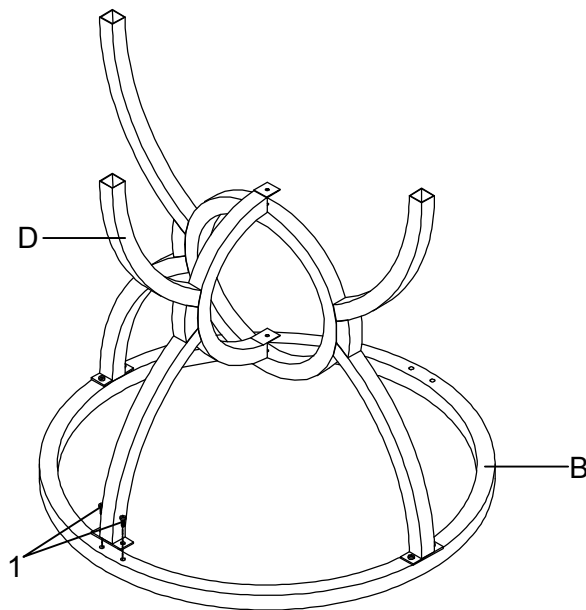
1	SHORT BOLT (1/4" x 15mm BLK)		10PCS	3	LEVELER (5/16" x 15mm BLK)		4PCS
2	SUCTION CUP (20 x 5mm)		4PCS	4	ALLEN WRENCH (4mm)		1PC

ASSEMBLY INSTRUCTIONS

STEP 1 Do not tighten until each step is completed or instructed.

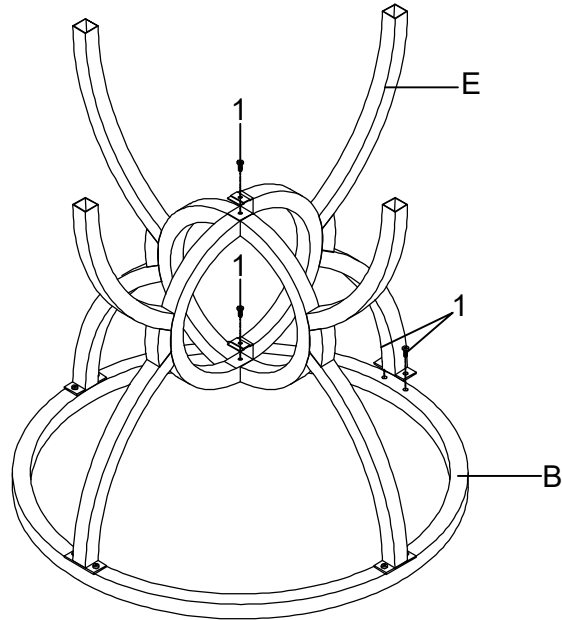


STEP 2

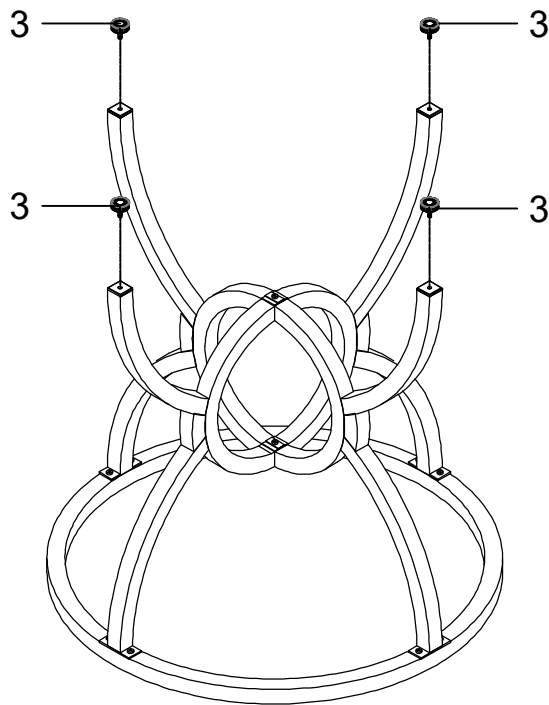


ASSEMBLY INSTRUCTIONS

STEP 3

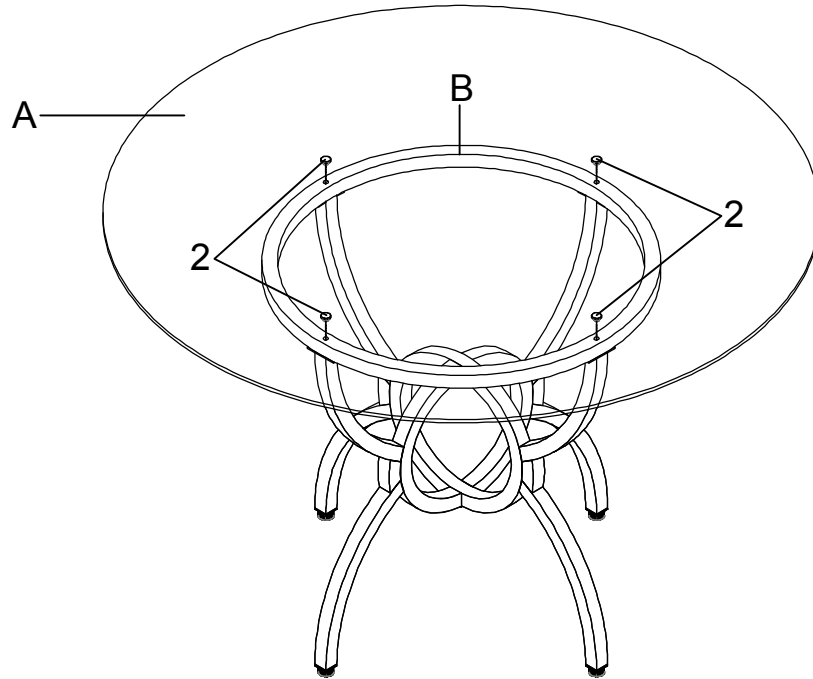


STEP 4

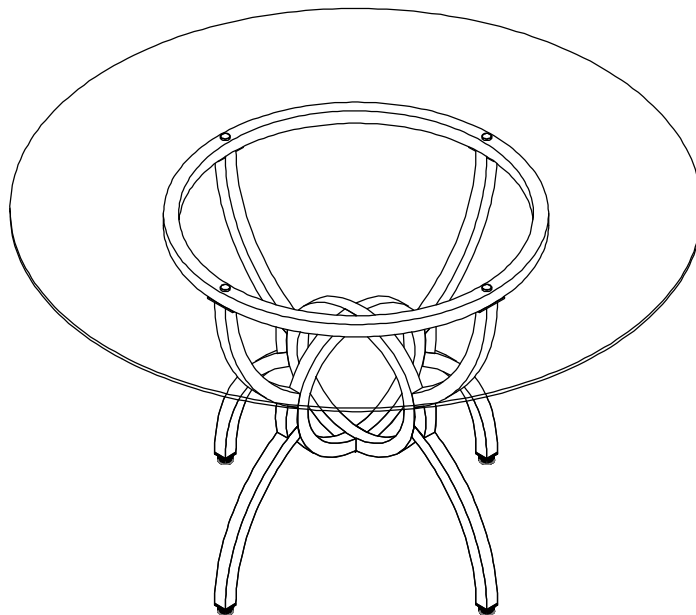


ASSEMBLY INSTRUCTIONS

STEP 5 *GLASS (PART#A) SOLD SEPARATELY.*

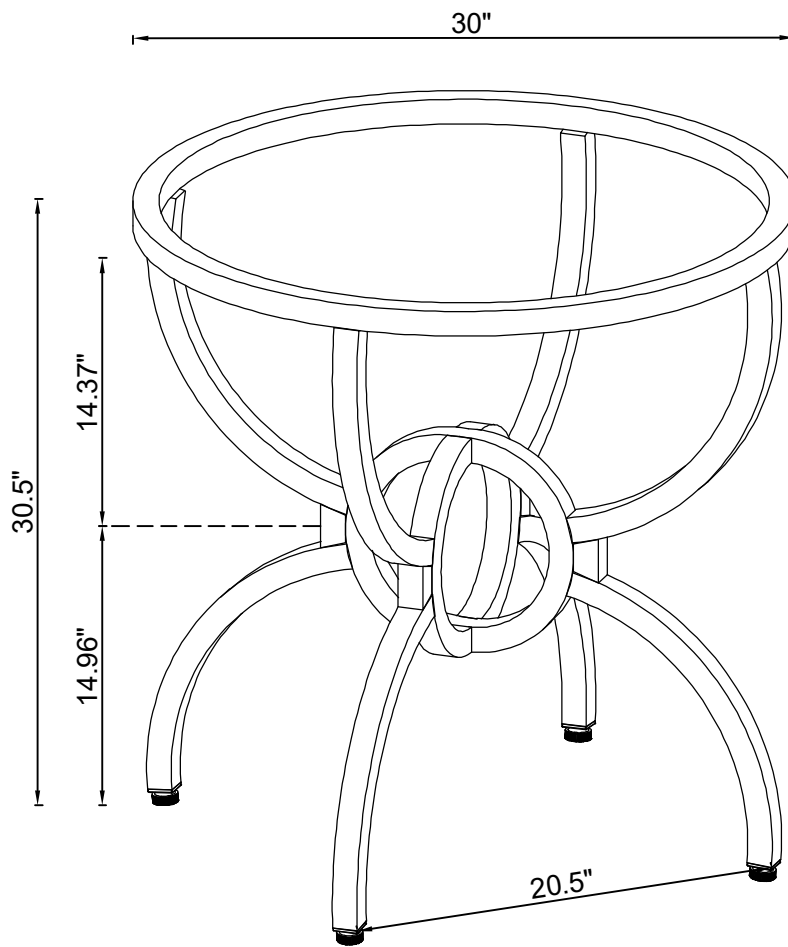


STEP 6 *GLASS (PART#A) SOLD SEPARATELY.*
COMPLETE



ASSEMBLY INSTRUCTIONS

Product Size : 762 DIA X 775 H (MM)
Product Size : 30" DIA X 30.5"



Note : Dimension tolerance $\pm 5\%$

ASSEMBLY INSTRUCTIONS



DINING TABLE

ASSEMBLY INSTRUCTIONS

ASSEMBLY TIPS:

1. Remove hardware from box and sort by size.
2. Please check to see that all hardware and parts are present prior to start of assembly.
3. Please follow attached instructions in the same sequence as numbered to assure fast & easy assembly.



WARNING!

1. Don't attempt to repair or modify parts that are broken or defective. Please contact the store immediately.
2. This product is for home use only and not intended for commercial establishments.

ASSEMBLY TIME 30 MINUTES

PARTS IDENTIFICATION

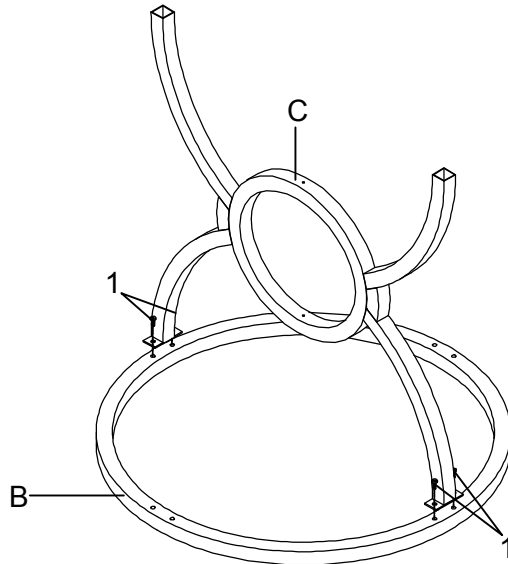
A	GLASS *GLASS SOLD SEPARATELY.*		1PC
B	TOP FRAME		1PC
C	LARGE FRAME		1PC
D	LEFT FRAME		1PC
E	RIGHT FRAME		1PC

HARDWARE IDENTIFICATION

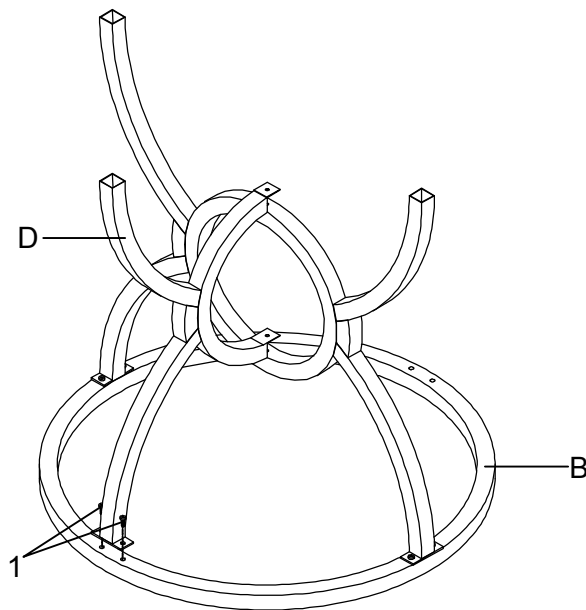
1	SHORT BOLT (1/4" x 15mm BLK)		10PCS	3	LEVELER (5/16" x 15mm BLK)		4PCS
2	SUCTION CUP (20 x 5mm)		4PCS	4	ALLEN WRENCH (4mm)		1PC

ASSEMBLY INSTRUCTIONS

STEP 1 Do not tighten until each step is completed or instructed.

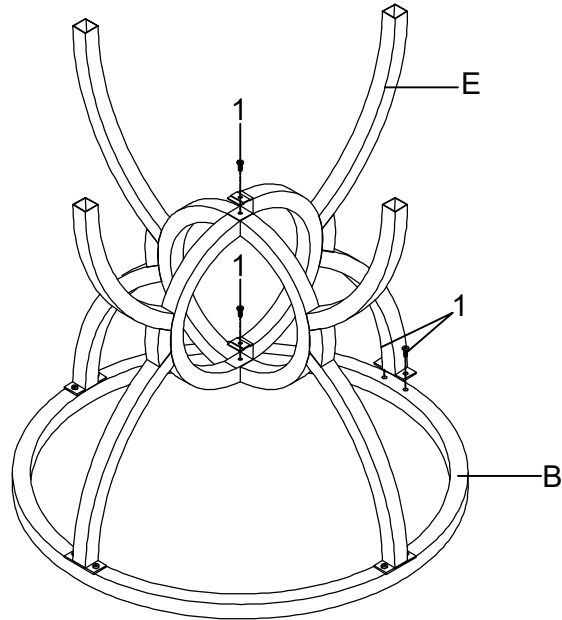


STEP 2

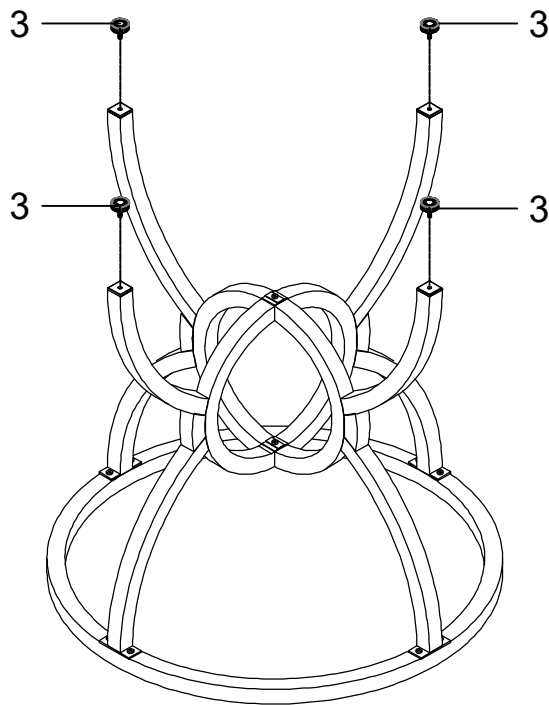


ASSEMBLY INSTRUCTIONS

STEP 3

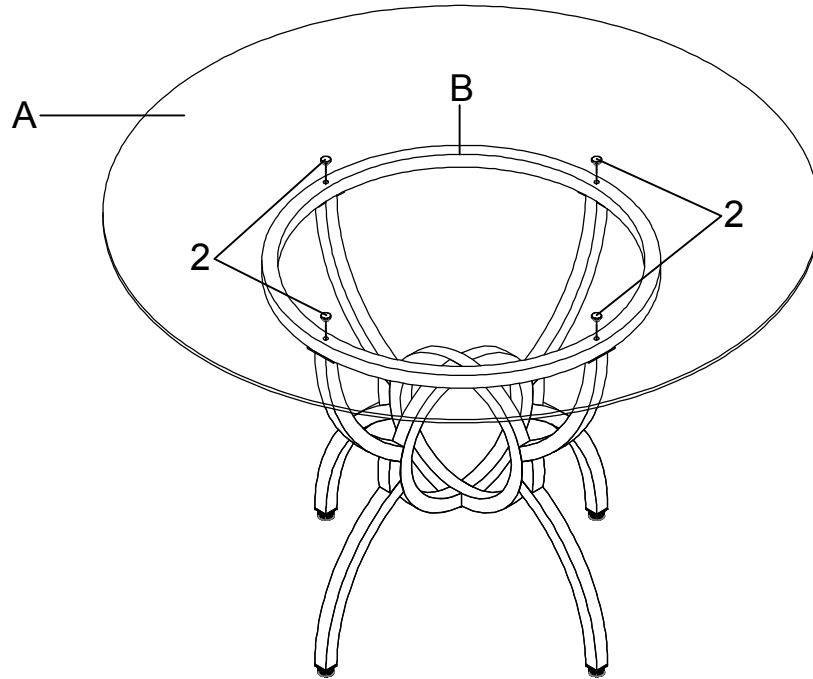


STEP 4

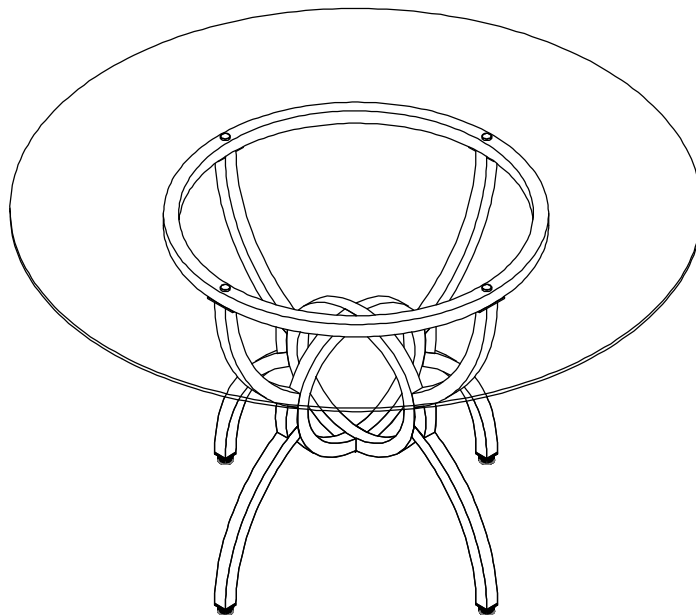


ASSEMBLY INSTRUCTIONS

STEP 5 *GLASS (PART#A) SOLD SEPARATELY.*

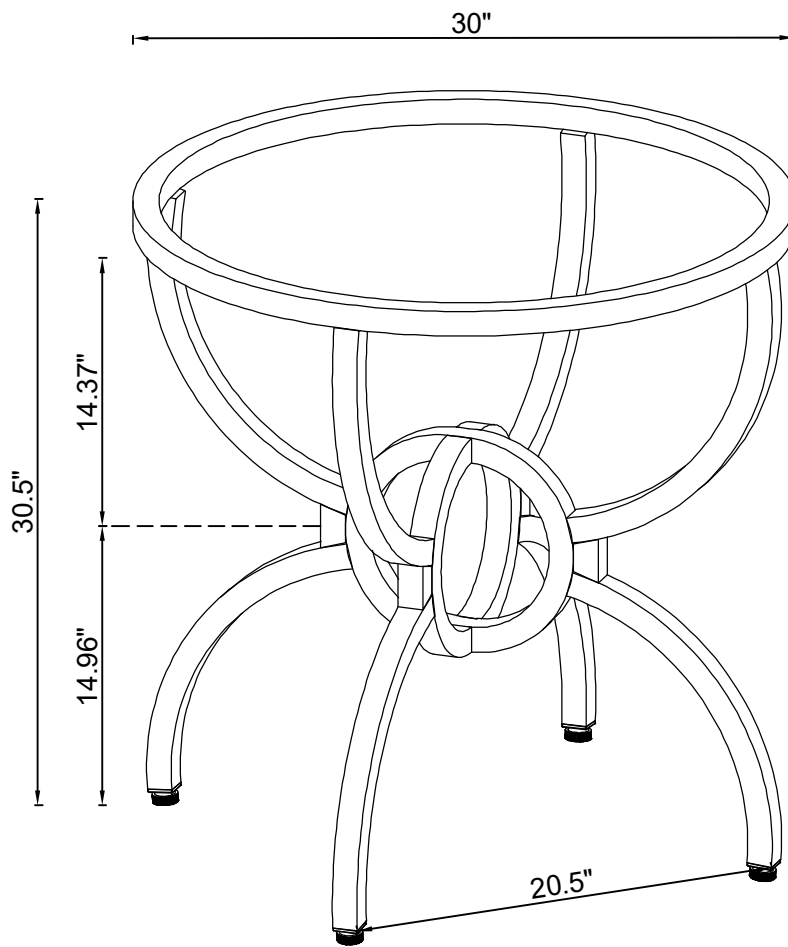


STEP 6 *GLASS (PART#A) SOLD SEPARATELY.*
COMPLETE

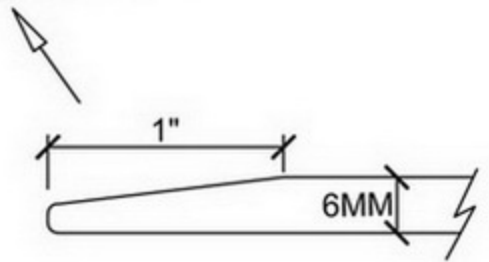
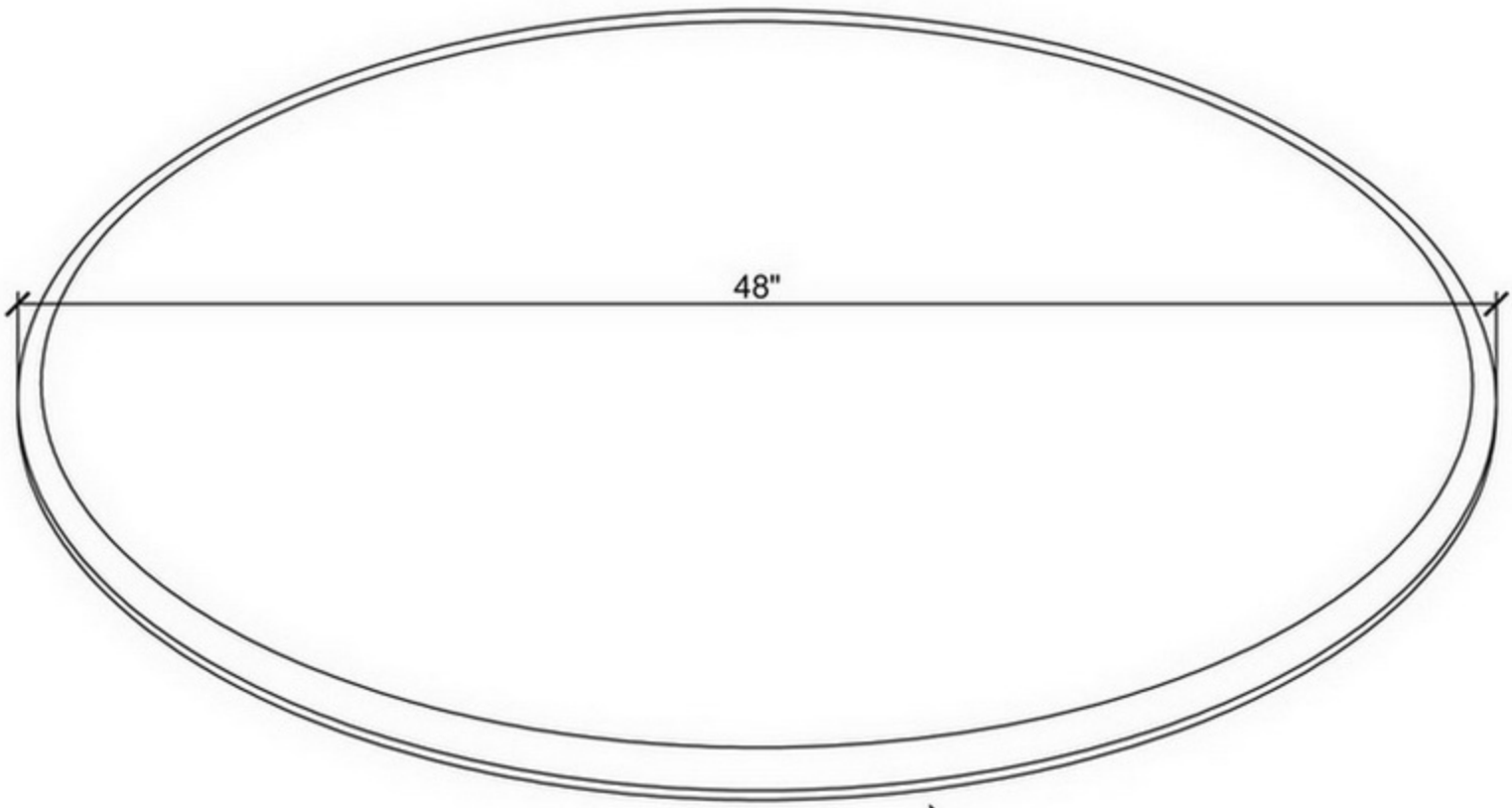


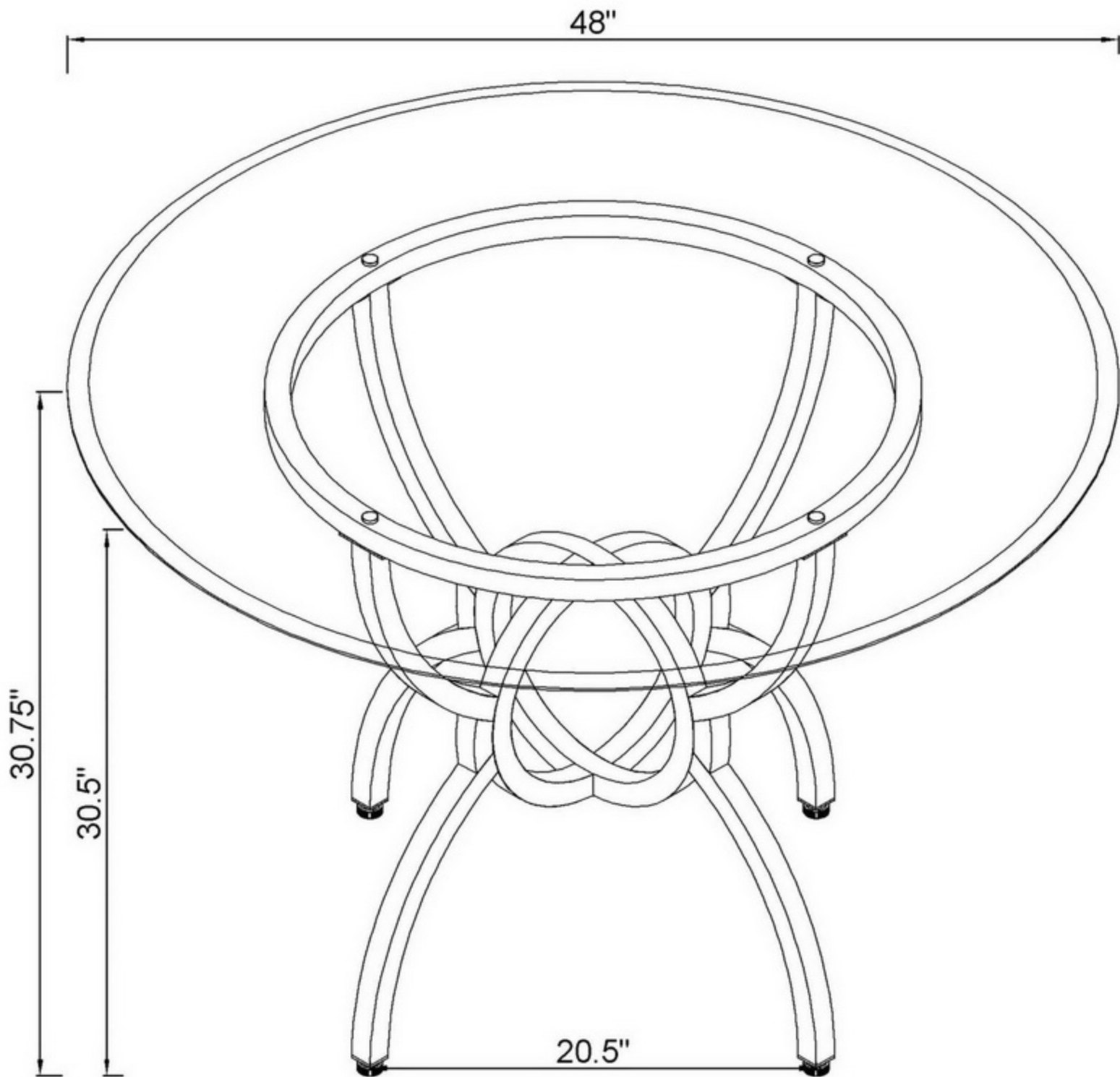
ASSEMBLY INSTRUCTIONS

Product Size : 762 DIA X 775 H (MM)
Product Size : 30" DIA X 30.5"



Note : Dimension tolerance $\pm 5\%$

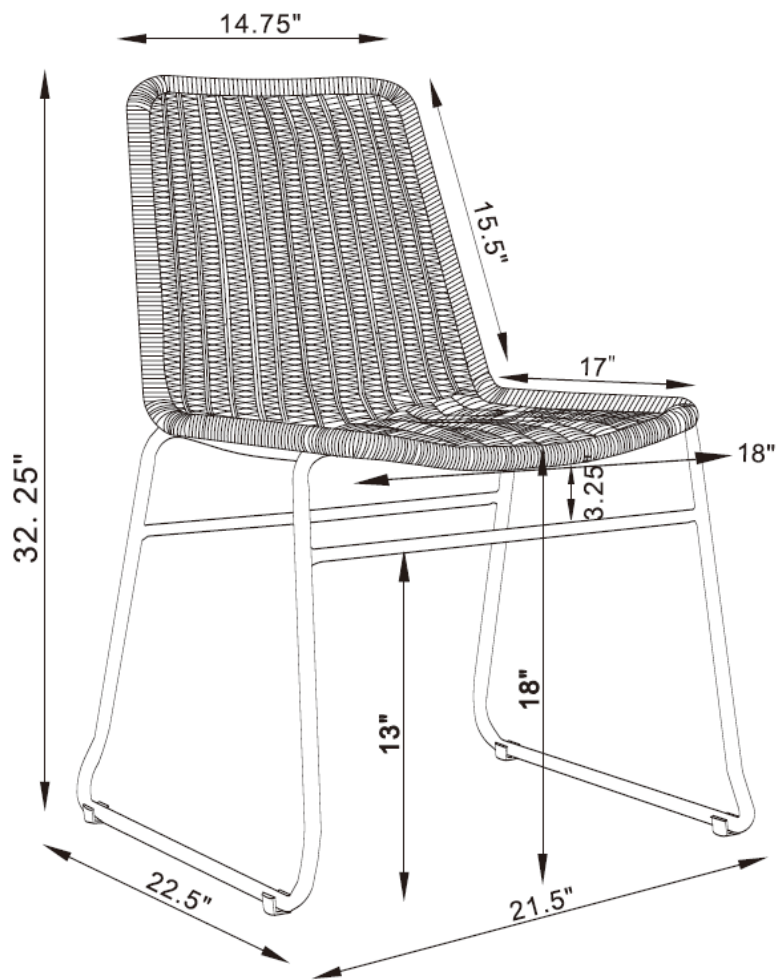




ASSEMBLY INSTRUCTIONS



DINING CHAIR



Note: Dimension tolerance $\pm 5\%$