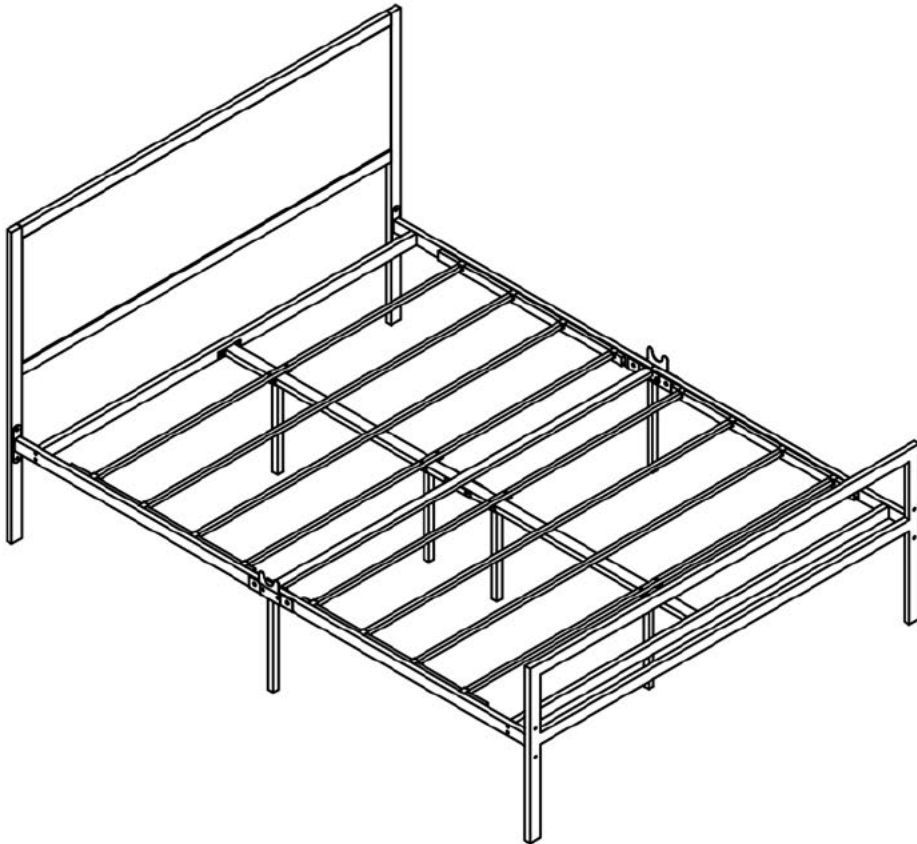


ASSEMBLY INSTRUCTION

WARRANTY:

We stand behind our products & service with confidence! If parts damaged or missing please feel free to contact us for a FREE REPLACEMENT.

We warranty this product to be free from defects in materials. This warranty covers one year from the date of original purchase.



NOTES:




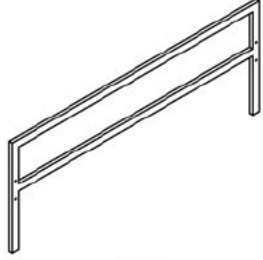







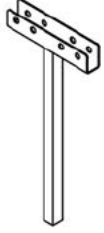
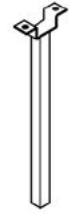
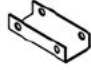
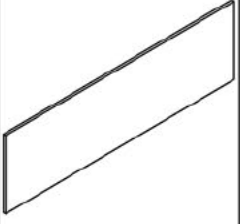












- The item is only intended to be used indoors. The product must be assembled and used in accordance with the provisions of the manual.
- It is recommended that assembly is undertaken by about 2 adults. Please read assembly instructions before assembly and strictly adhere to each step outlined. Estimated assembly time is 30 minutes.

WARNING:

- **WARNING FOR YOUNG CHILDREN** - This product contains small components, please ensure that they are kept away from small children while assembling.

1

PARTS LIST

A	B	C	D	O	P	Q	R	S					
													
1PCS	1PCS	2PCS	1PCS	1PCS	4PCS	4PCS	2PCS	2PCS					
T	U	V	W	X	Y	Z	a	b	c	e	f	h	v
													
2PCS	2PCS	2PCS	4PCS	1PCS	1PCS	2PCS	1/4*55 2PCS	1/4*40 16PCS	1/4*32 8PCS	1/4*28 8PCS	1/4*19 12PCS	10PCS	12PCS
W	X	y											
													
1/4 26PCS	1/4 2PCS	2PCS											

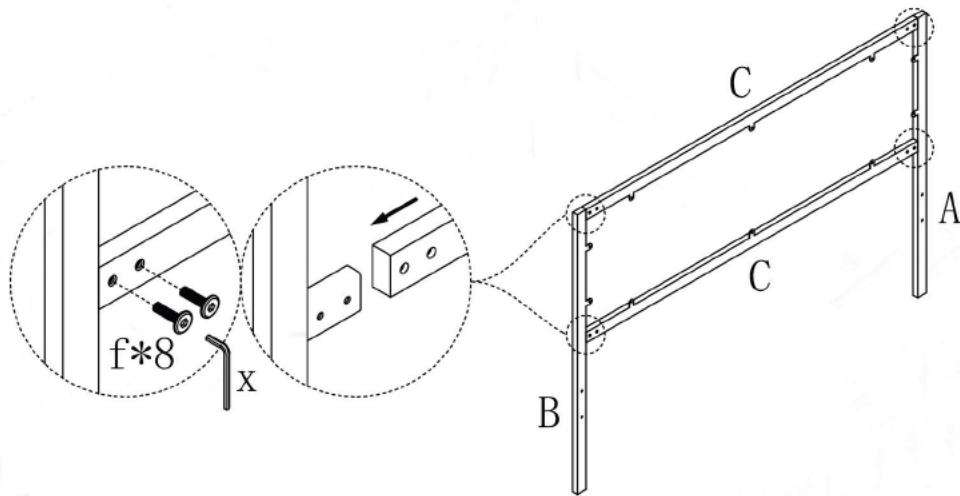
IMPORTANT:

Please check parts list before you start to assembly. If parts damaged or missing. Contact your seller for a FREE REPLACEMENT. Please provide your order number, a brief message about the issue, and your shipping address. Thank you!

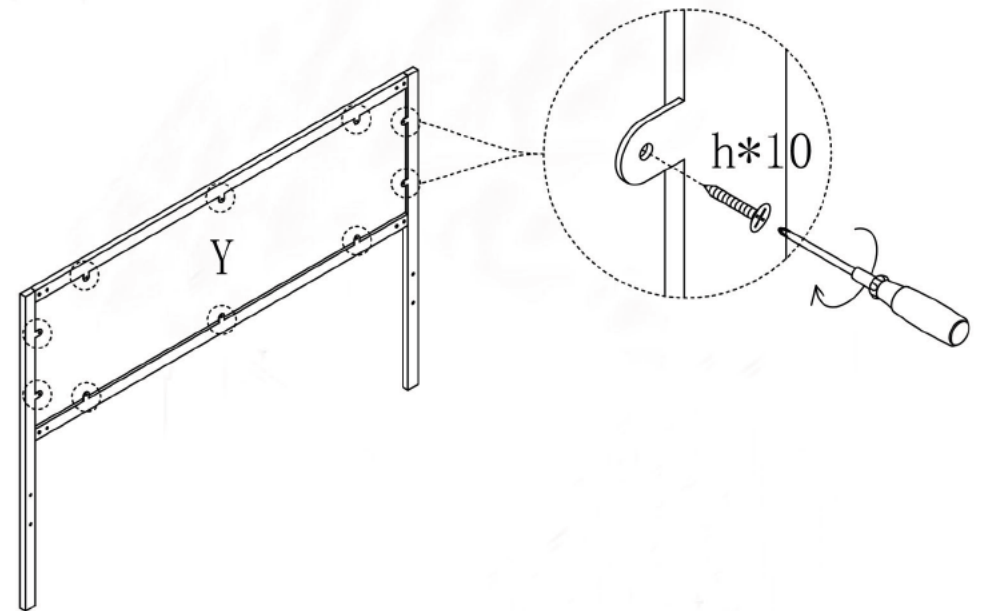
2

NOTE: PLEASE DO NOT TIGHTEN THE BOLTS UNTIL ALL FIXED

①



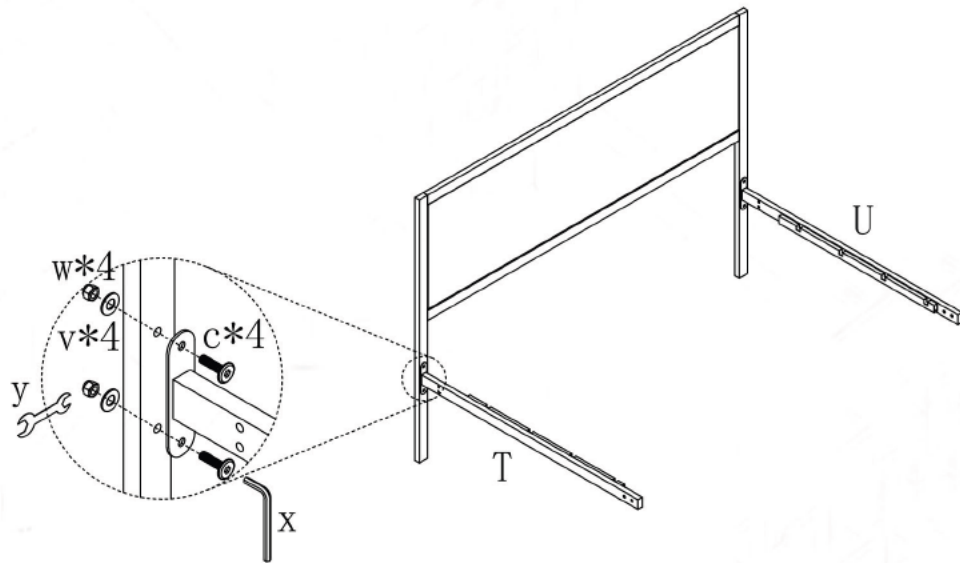
②



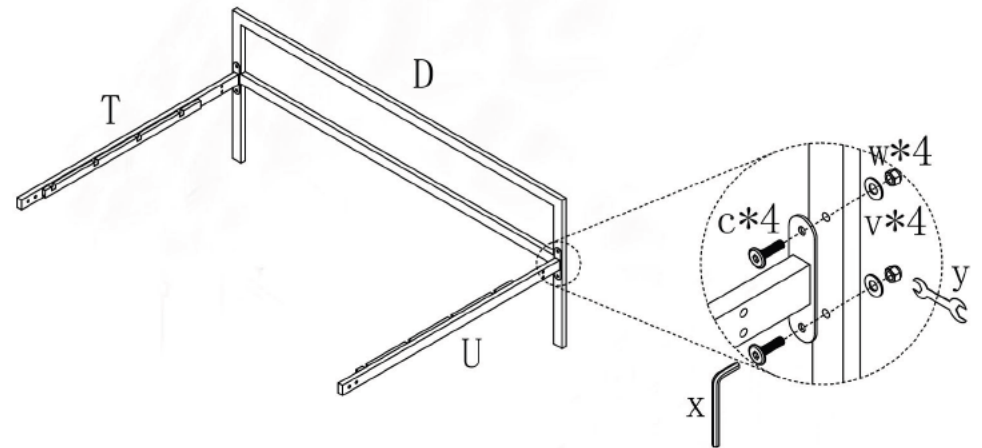
3

NOTE: PLEASE DO NOT TIGHTEN THE BOLTS UNTIL ALL FIXED

3



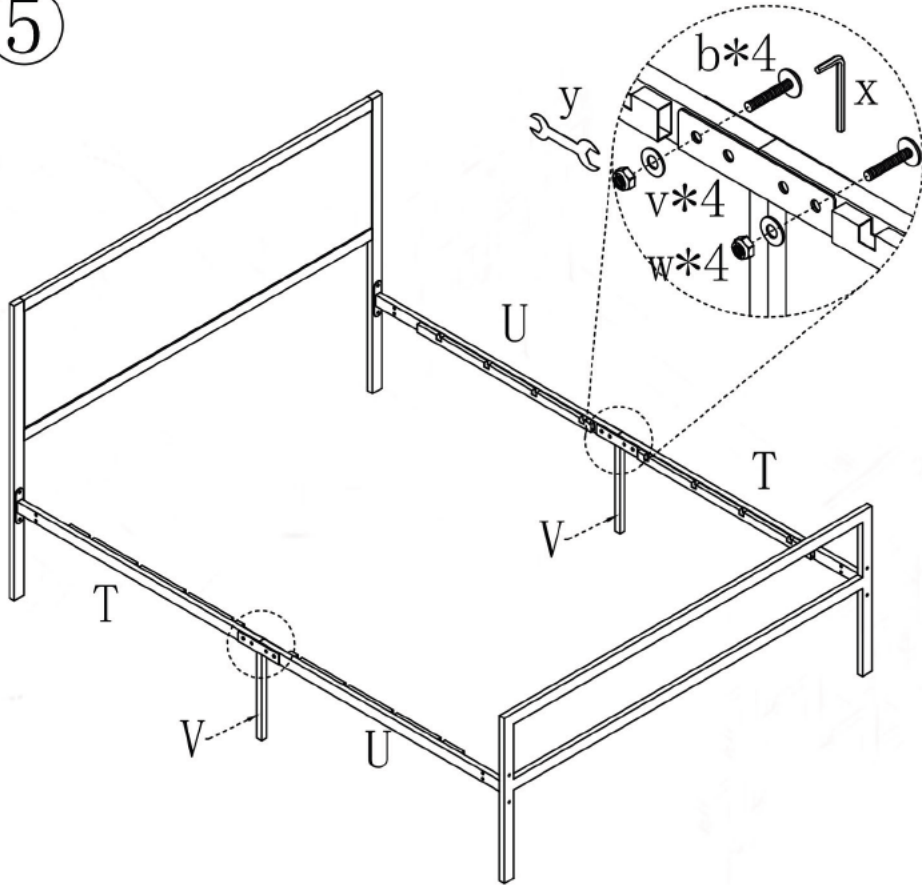
4



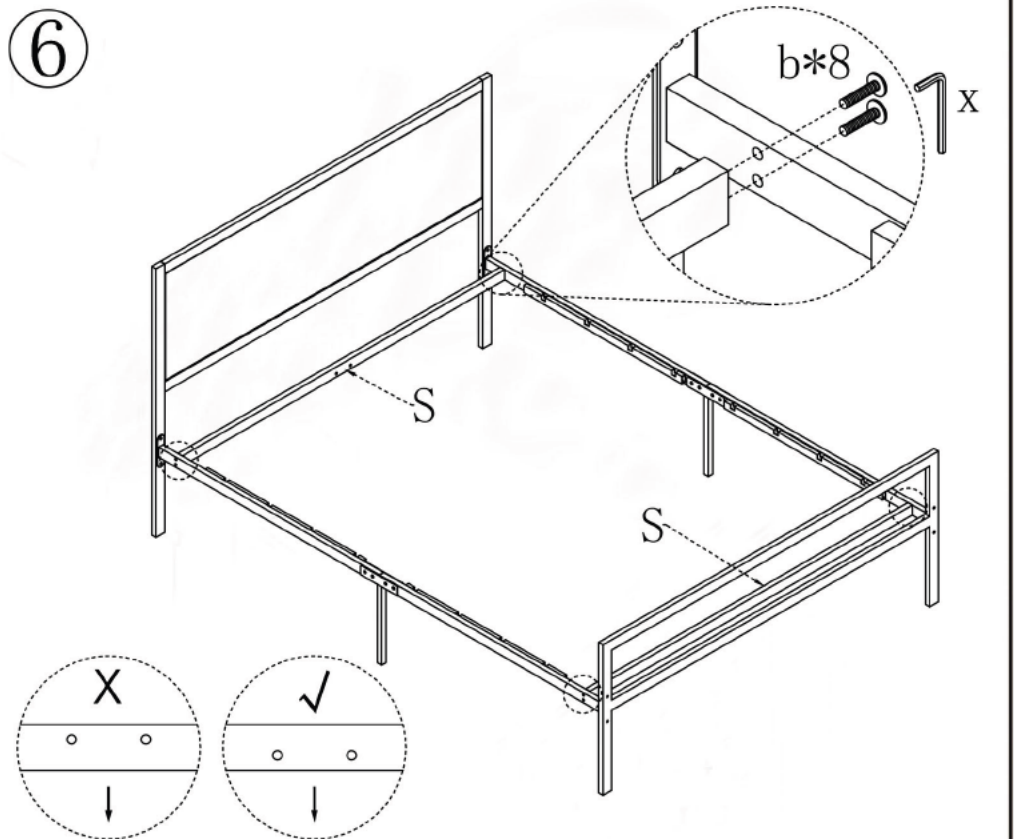
4

NOTE: PLEASE DO NOT TIGHTEN THE BOLTS UNTIL ALL FIXED

5



6

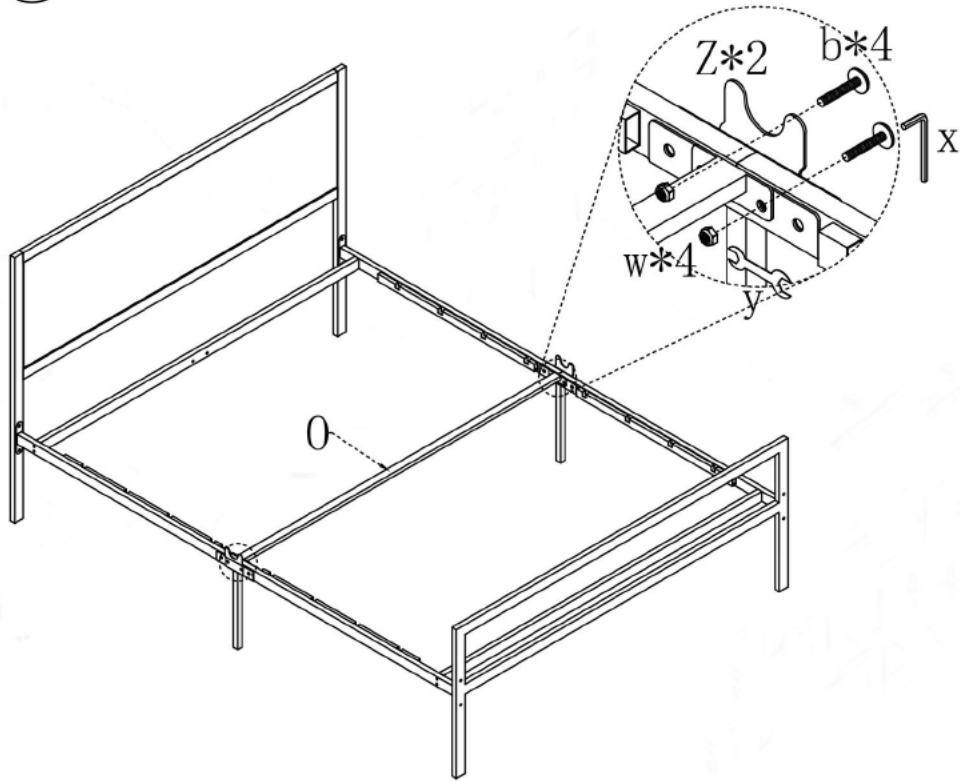


Note: the Part "S" must put in the middle hole position.

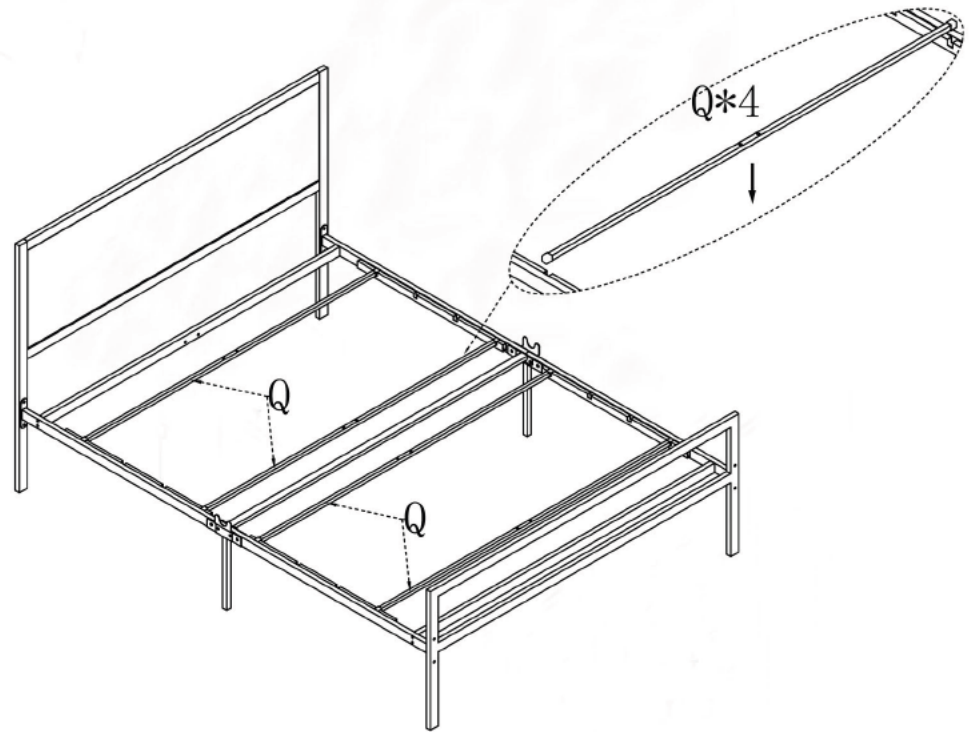
5

NOTE: PLEASE DO NOT TIGHTEN THE BOLTS UNTIL ALL FIXED

7



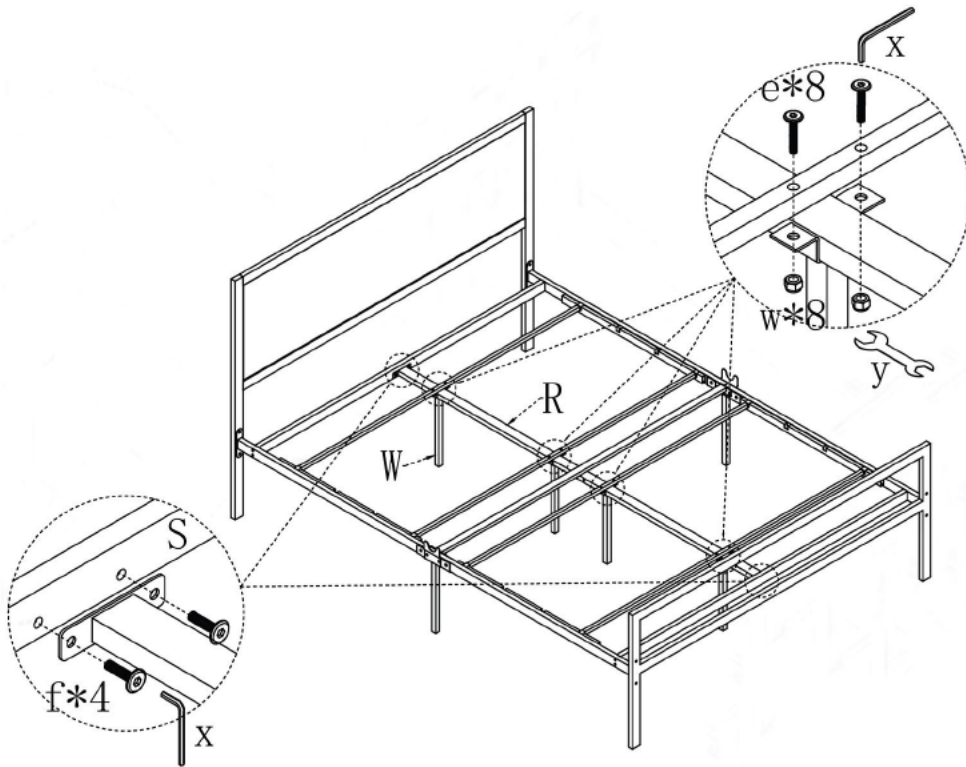
8



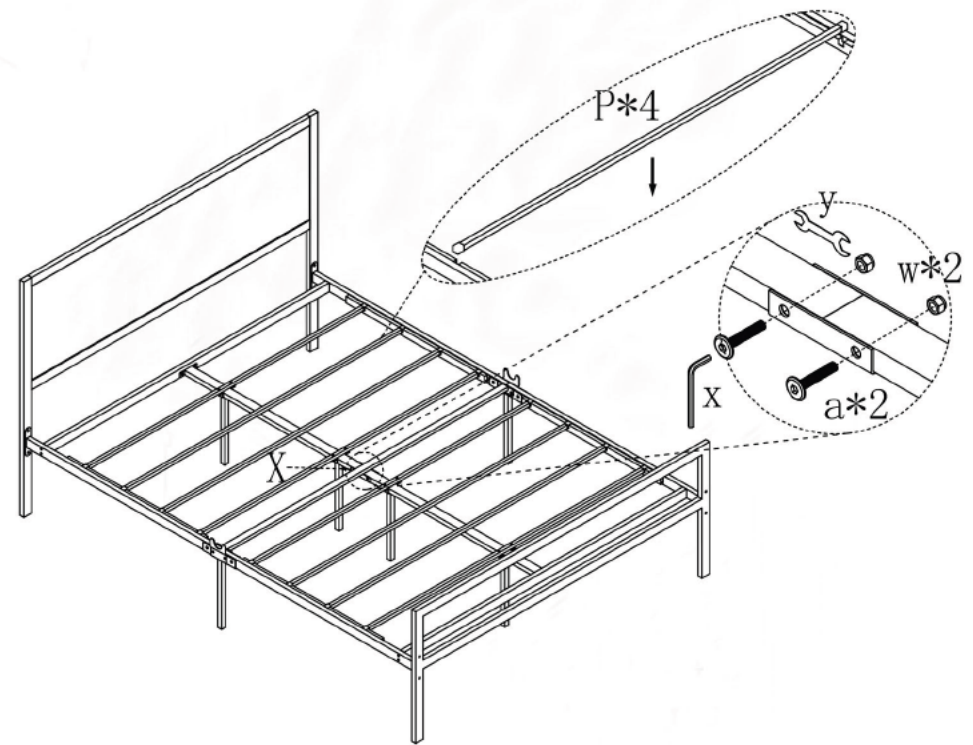
6

NOTE: PLEASE DO NOT TIGHTEN THE BOLTS UNTIL ALL FIXED

9



10



IMPORTANT: Please completely tighten all the bolts and nuts.