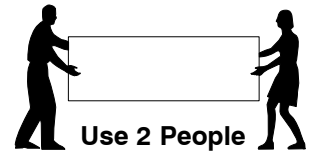
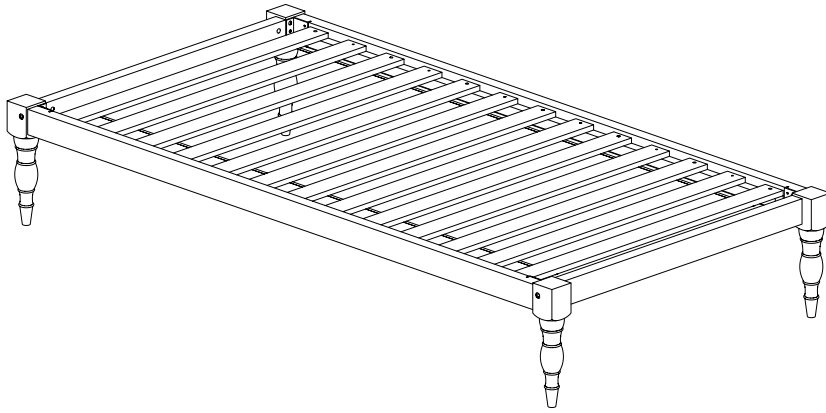


Twin Bed

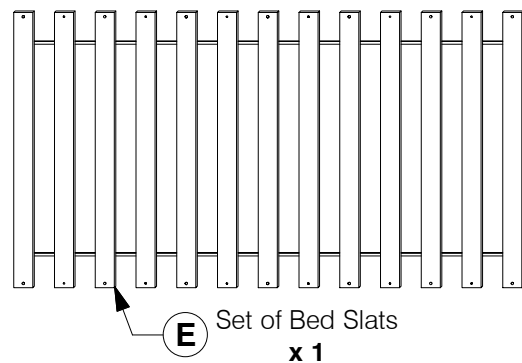
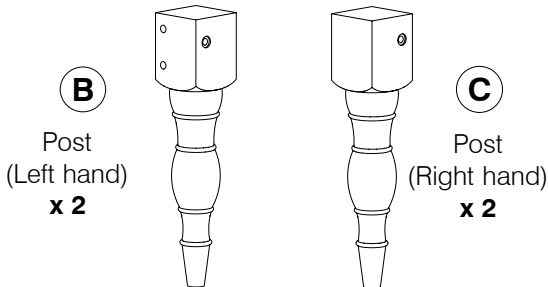
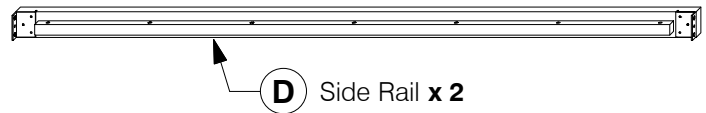
Assembly Instructions

1 Assembled View



Note: Do not assemble using power tools. This can cause the bolts to be overtightened

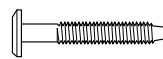
2 Parts List



3 Hardware List



1 M6 x 100mm JCB
x 4



2 M6 x 40mm JCB
x 14



3 M6 x 20mm JCB
x 8



4 Wood Dowel (M10 x 40mm) x 4



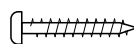
5 Barrel Nut x 4



6 Spring Washer x 8



7 Flat Washer x 8



8 Wood Screw (M4 x 32mm) x 12

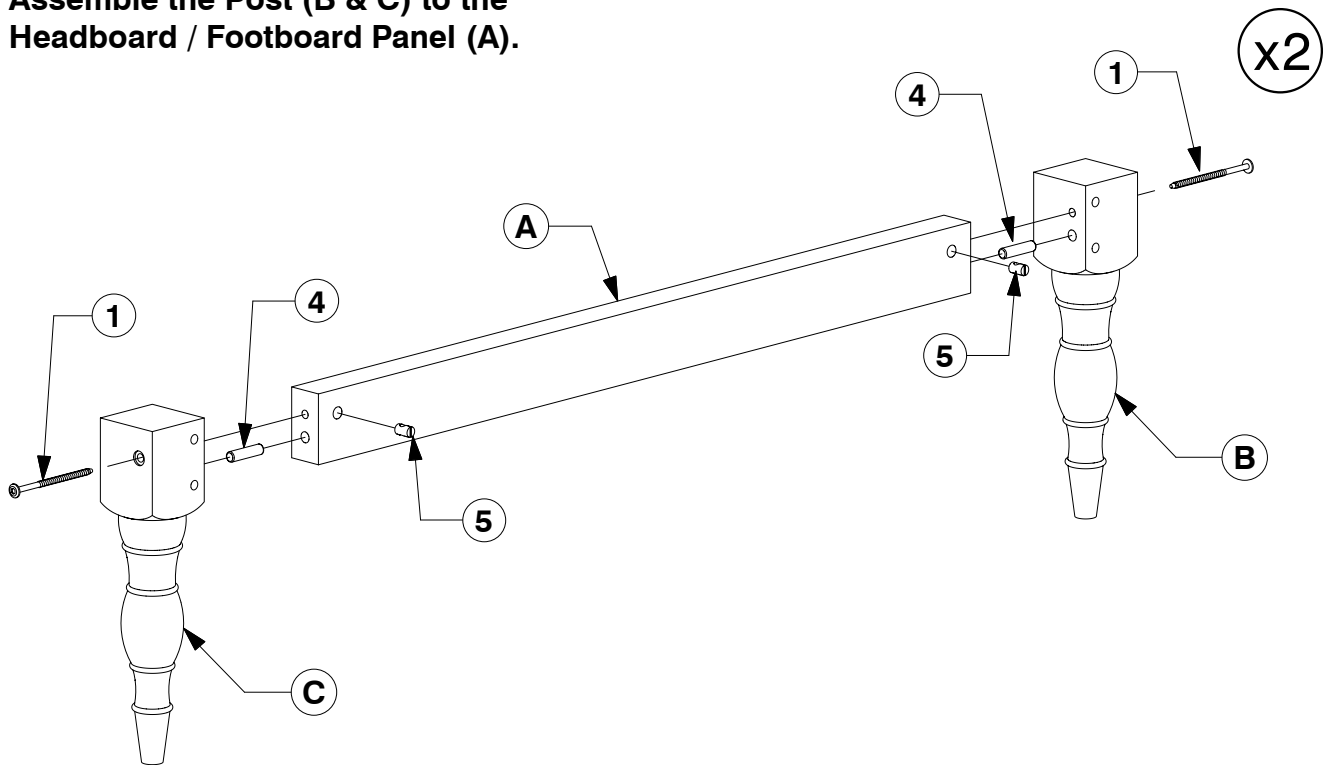


9 Allen Key x 1

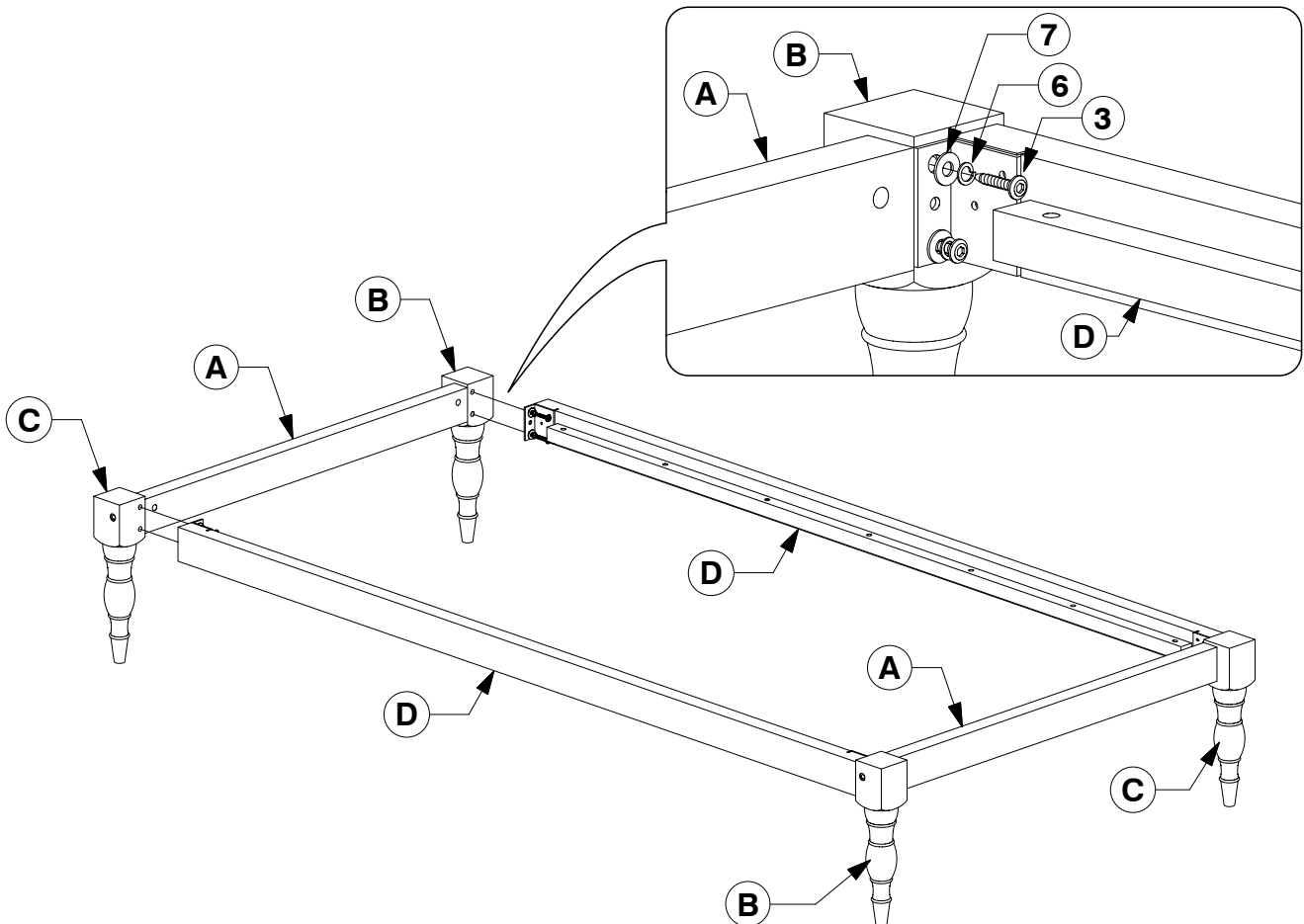
Twin Bed

Assembly Instructions

- 4** Assemble the Post (B & C) to the Headboard / Footboard Panel (A).



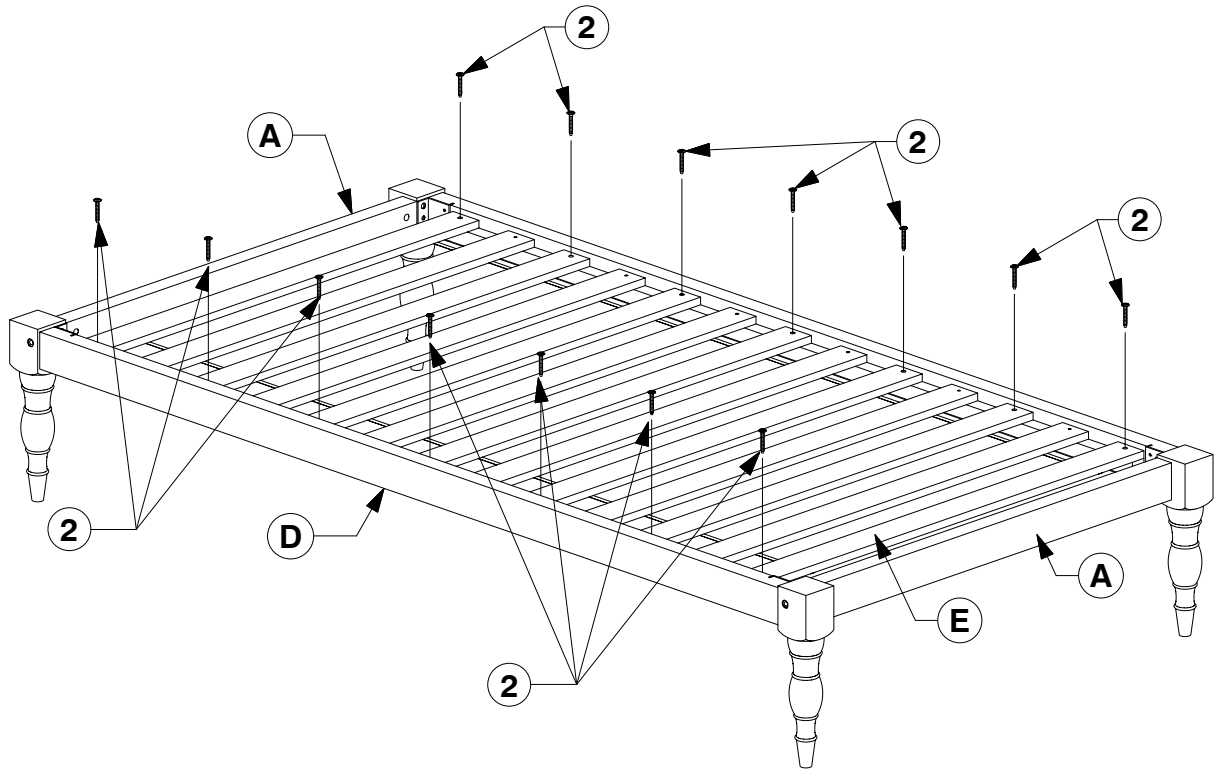
- 5** Assemble the Side Rail (D) to the assembled Headboard / Footboard Panel (A).



Twin Bed

Assembly Instructions

- 6 Bolt the Bed Slats (E) to the Side Rail (D).**



- 7 Screw the Bed Slats (E) to the Side Rail (D).**

