

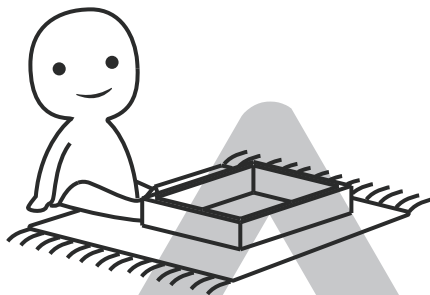
# **INSTALLATION**

## *Product Manual*



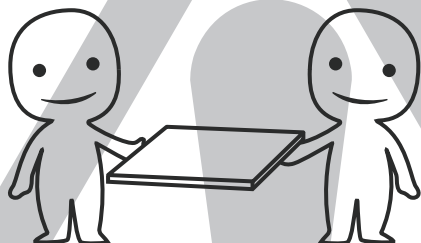
### **IMPORTANT INFORMATION!**

Please read the entire manual before starting to assemble and/or using this product. Follow the manual thoroughly and keep it for further reference.



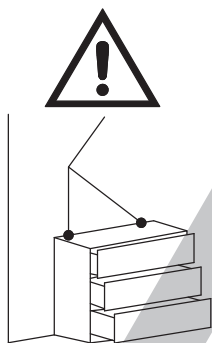
### **AVOID SCRATCHES!**

In order to avoid scratching this furniture should be assembled on a soft layer-could be a rug.



### **IMPROVE EFFICIENCY !**

Try to find a partner to install with you, which can speed up the installation efficiency and shorten the time.



### **ANTI-TOPPLE WARNING !**

Overturnd furniture can cause serious or fatal crush injuries. To prevent tipping over, be sure to use the wall attachment, if not included with this product. Please purchase the wall attachment that fit your wall. If unsure, seek professional advice. Please read and follow each step of the instructions carefully.

### **IMPORTANT !**

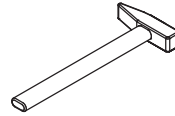
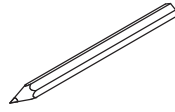
It is important that any product which is assembled using any kind of screw is re-tightened 2 weeks after assembly, and once every 3 months - in order to assure stability through-out the lifespan of the product.

For regular maintenance and cleaning of the product, for the frame, please use a rag dipped in neutral detergent to fully wipe it, and then dry it with a clean rag. For glass materials, wipe with a rag dampened with water glass cleaner, and then dry with a dry rag.

Do not use an electric screwdriver, and do not use too much force when installing, because the board is easy to break.

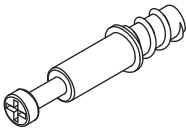


Please prepare the following tools



When installing, please carefully confirm whether each screw corresponds to the manual, accessories with similar shapes can be distinguished by size

A x 122+4



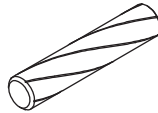
Ø6 x 35 mm

B x 122+4



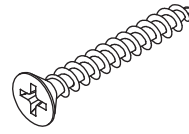
Ø15 x 10 mm

C x 118+4



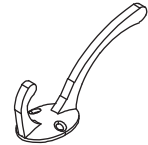
Ø6 x 30 mm

D x 33+3



Ø4 x 40 mm

E x 4

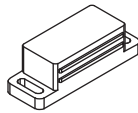


F x 100+4



Ø3 x 12 mm

G x 7

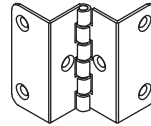


H x 52+4

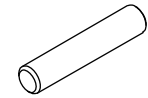


Ø3 x 14 mm

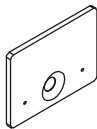
J x 14



K x 4



L x 8



M x 4

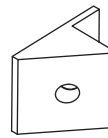


N x 8

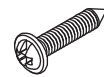


Ø4 x 14 mm

P x 38+4

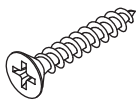


Q x 4



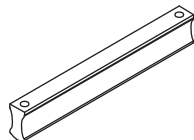
Ø3 x 14 mm

R x 8



Ø4 x 25 mm

S x 2

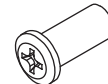


T x 6



Ø6 x 18 mm

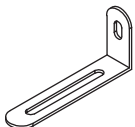
U x 6



V x 122



W x 4

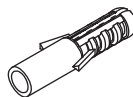


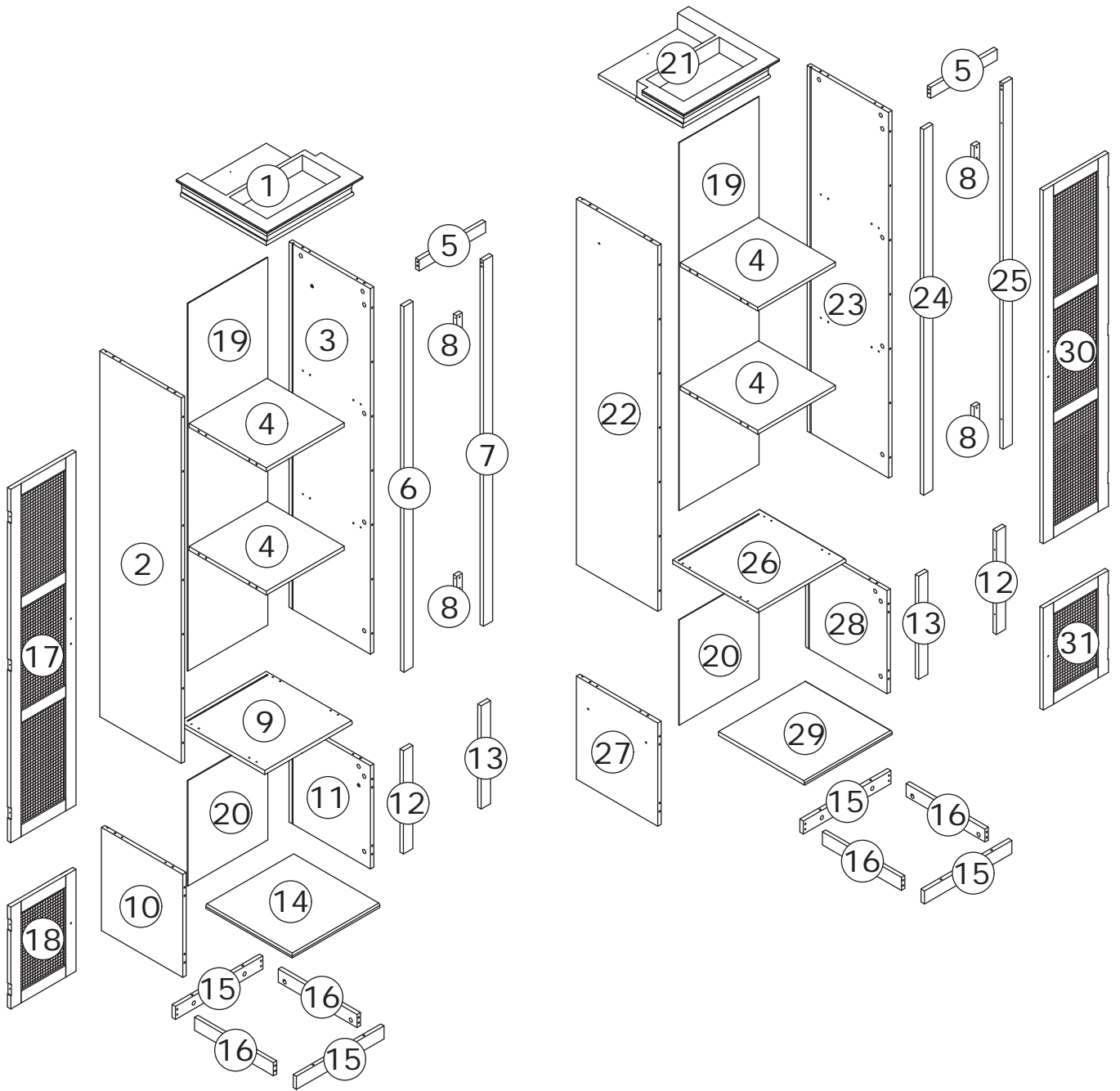
X x 4



Ø4 x 12 mm

Y x 4





## ⚠ WARNING

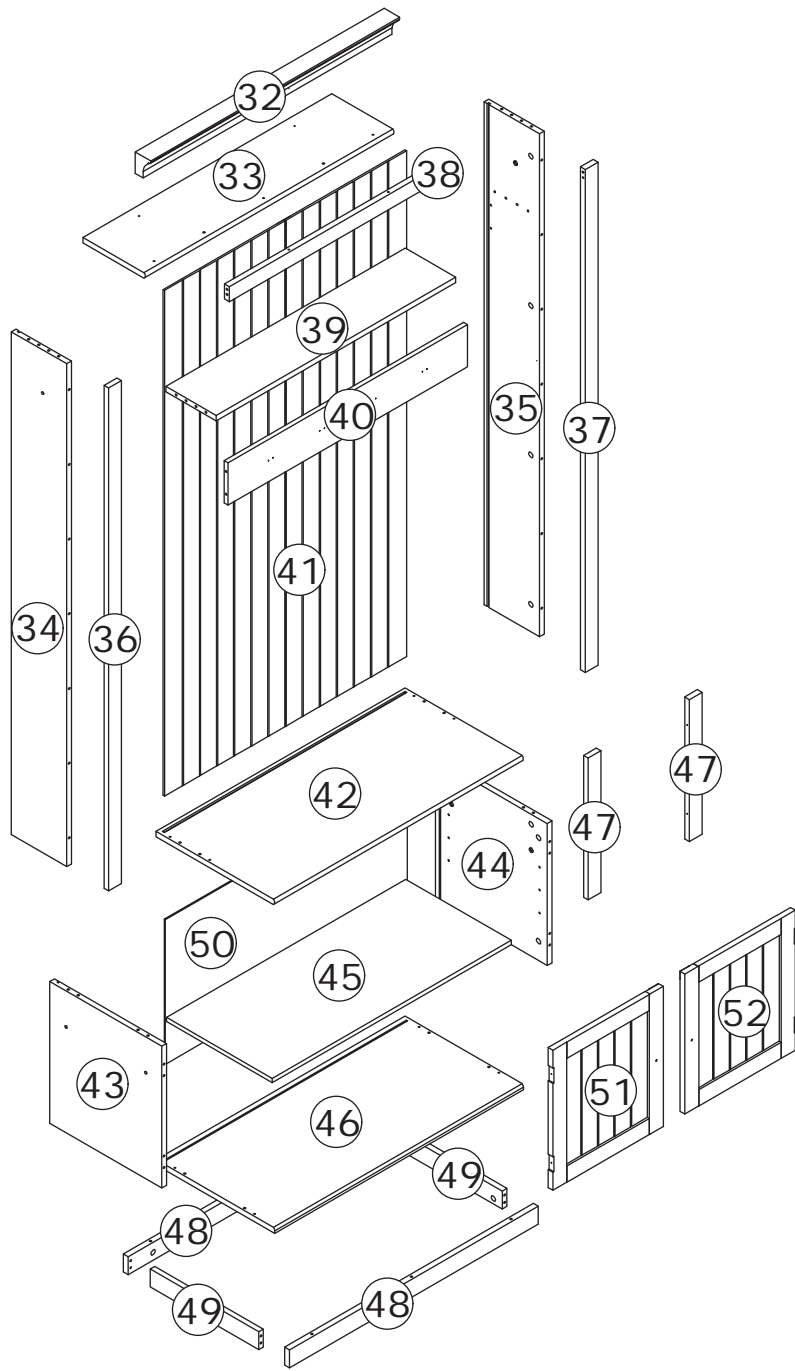


**Children have died from furniture tipover. To reduce the risk of furniture tipover:**

- ALWAYS install Anti-tip device provided.
- NEVER put a TV on this product.
- NEVER allow children to stand, climb or hang on drawers, doors, or shelves.
- NEVER open more than one drawer at a time.
- Place heaviest items in the lowest drawers.

*This is a permanent label.  
Do not remove!*





## ⚠ WARNING

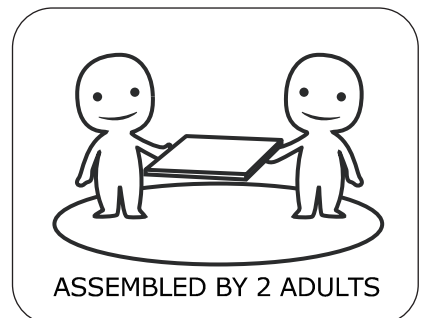


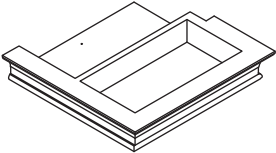
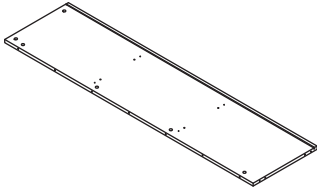
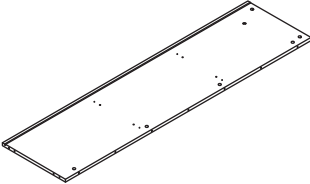
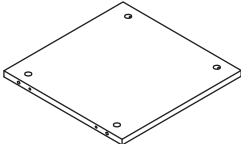
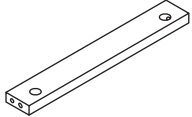
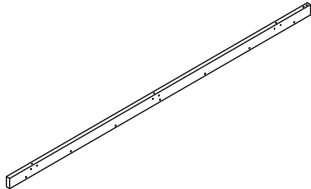
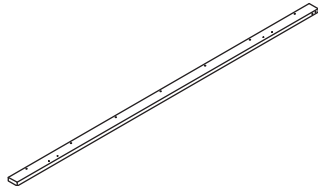
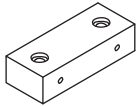
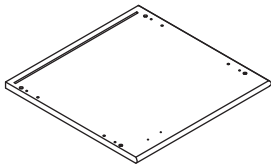
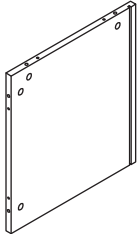
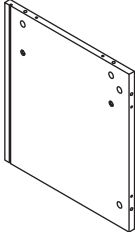


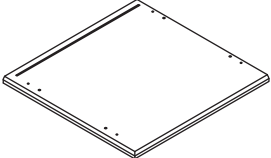
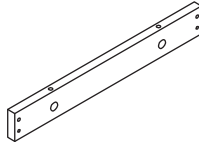
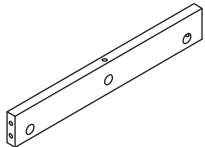
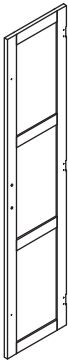
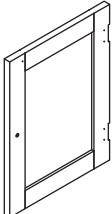

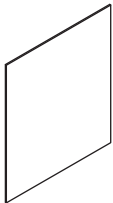
**Children have died from furniture tipover. To reduce the risk of furniture tipover:**

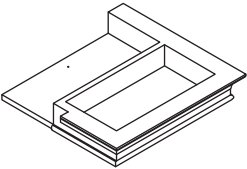
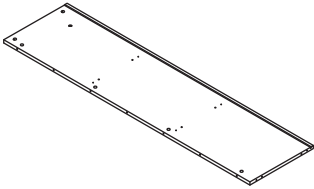
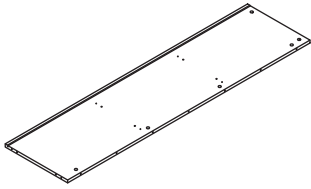
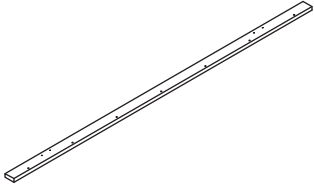
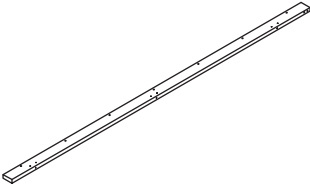
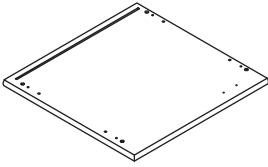
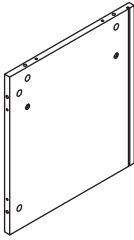
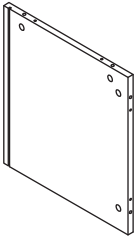
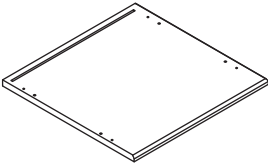
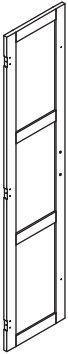
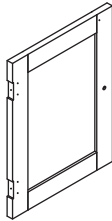
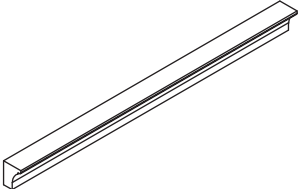
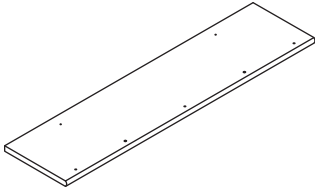
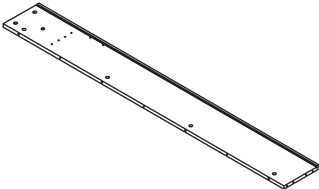
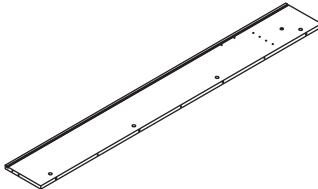
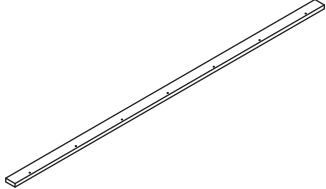
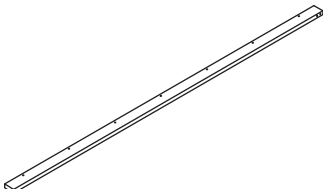
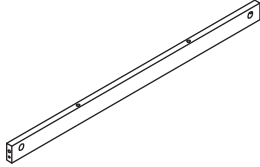
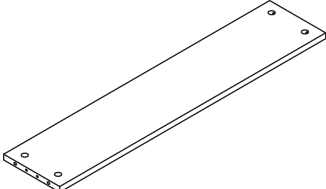
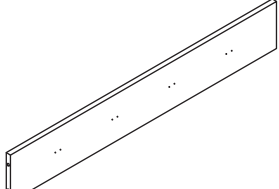
- ALWAYS install Anti-tip device provided.
- NEVER put a TV on this product.
- NEVER allow children to stand, climb or hang on drawers, doors, or shelves.
- NEVER open more than one drawer at a time.
- Place heaviest items in the lowest drawers.

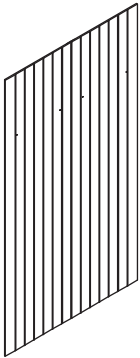
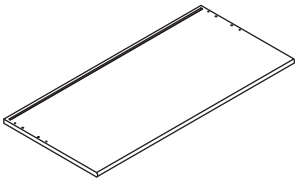
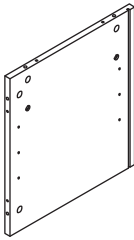
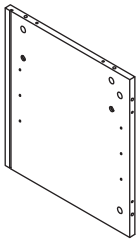
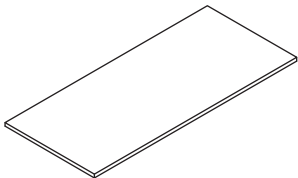
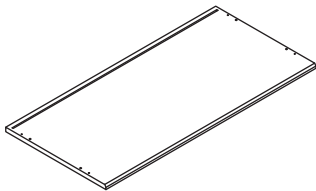

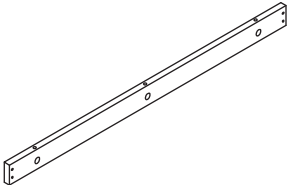
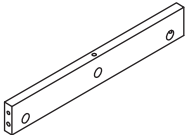
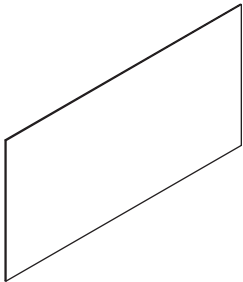
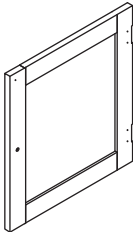
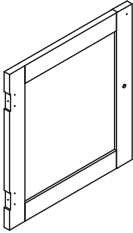


*This is a permanent label.  
Do not remove!*



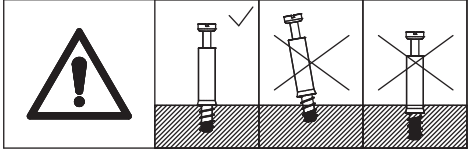
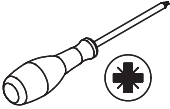
<p>① x1</p> 	<p>② x1</p> 	<p>③ x1</p> 	<p>④ x4</p> 
<p>⑤ x2</p> 	<p>⑥ x1</p> 	<p>⑦ x1</p> 	<p>⑧ x4</p> 
<p>⑨ x1</p> 	<p>⑩ x1</p> 	<p>⑪ x1</p> 	<p>⑫ x2</p> 
<p>⑬ x2</p> 	<p>⑭ x1</p> 	<p>⑮ x4</p> 	<p>⑯ x4</p> 
<p>⑰ x1</p> 	<p>⑱ x1</p> 	<p>⑲ x2</p> 	<p>⑳ x2</p> 

<p>21 x1</p> 	<p>22 x1</p> 	<p>23 x1</p> 	<p>24 x1</p> 
<p>25 x1</p> 	<p>26 x1</p> 	<p>27 x1</p> 	<p>28 x1</p> 
<p>29 x1</p> 	<p>30 x1</p> 	<p>31 x1</p> 	<p>32 x1</p> 
<p>33 x1</p> 	<p>34 x1</p> 	<p>35 x1</p> 	<p>36 x1</p> 
<p>37 x1</p> 	<p>38 x1</p> 	<p>39 x1</p> 	<p>40 x1</p> 

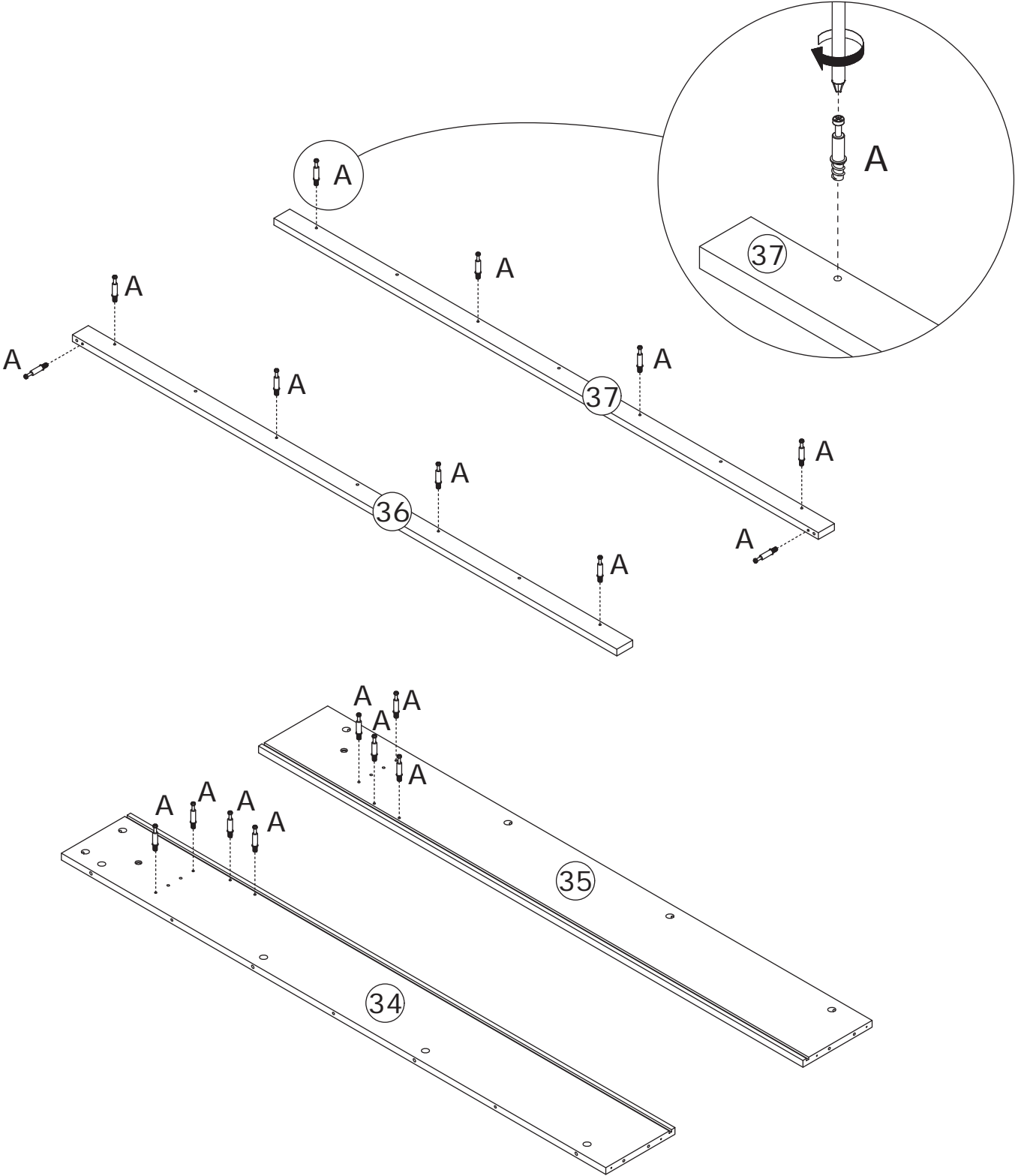
<p>④① x1</p> 	<p>④② x1</p> 	<p>④③ x1</p> 	<p>④④ x1</p> 
<p>④⑤ x1</p> 	<p>④⑥ x1</p> 	<p>④⑦ x2</p> 	<p>④⑧ x2</p> 
<p>④⑨ x2</p> 	<p>⑤① x1</p> 	<p>⑤② x1</p> 	<p>⑤③ x1</p> 

1

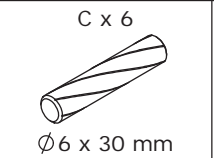
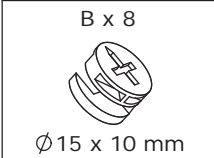
A x 18  
Ø6 x 35 mm



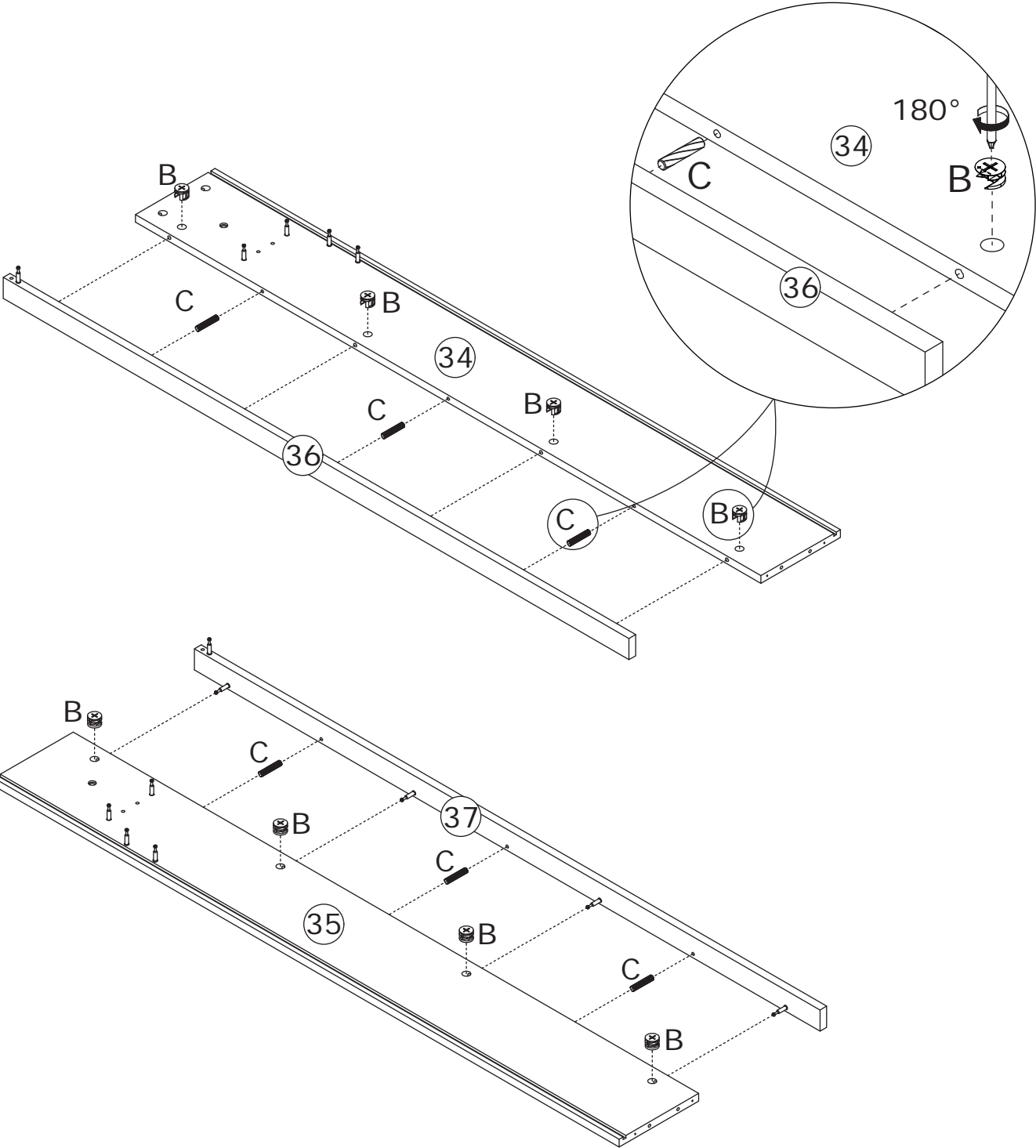
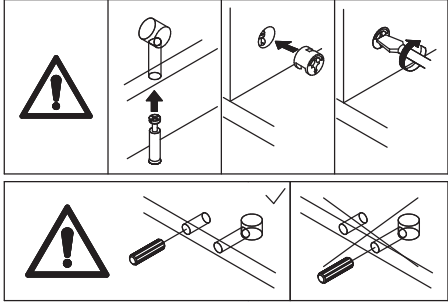
Screw eccentric rod (A) onto part 34, 35, 36, and 37.



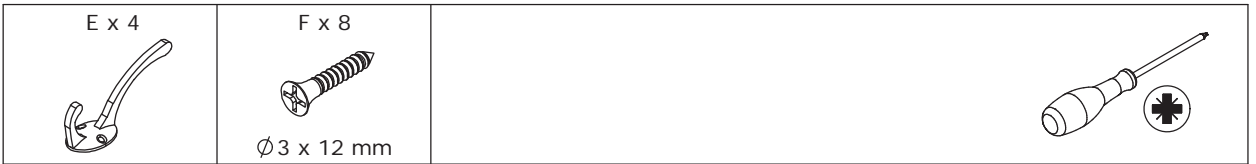
2



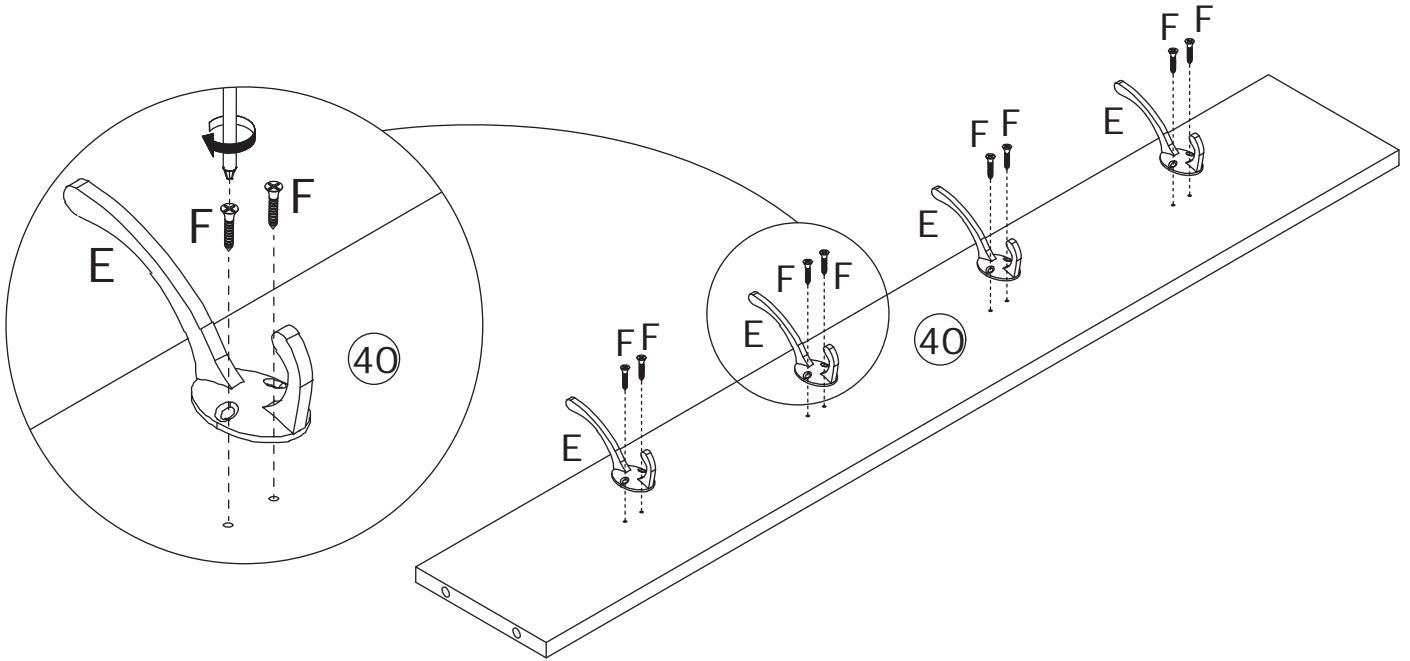
Connect part 36 to part 34, and part 35 to part 37 using wooden dowel (C), then tighten by turning cam lock (B) clockwise as shown.



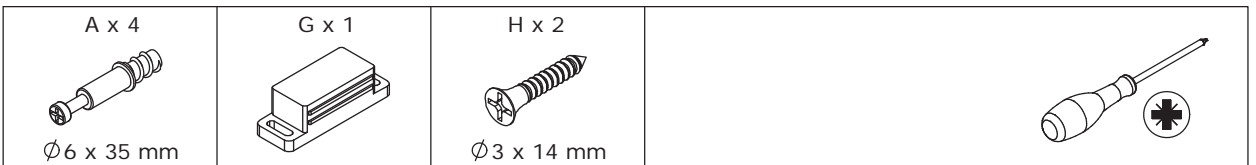
3



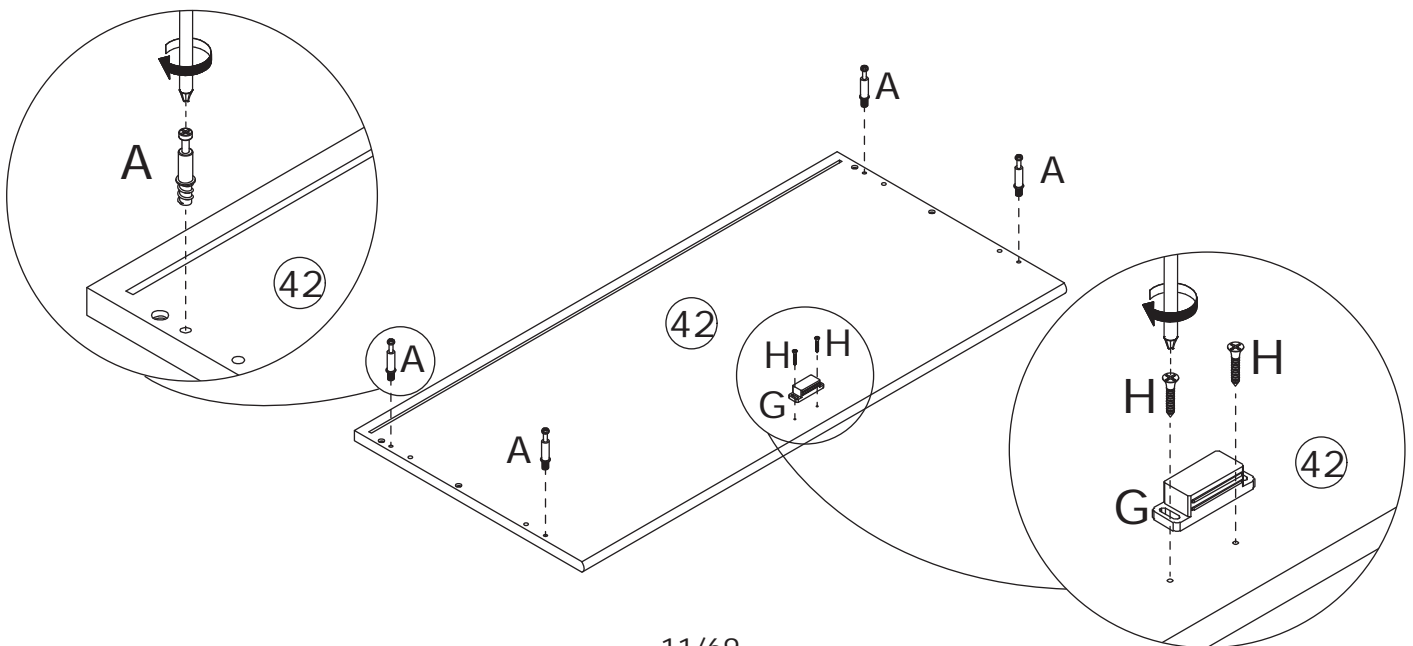
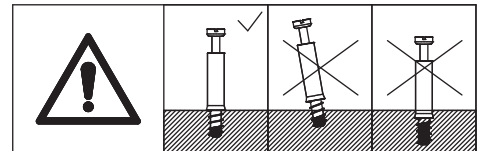
Secure hook (E) to part 40 using screw (F).



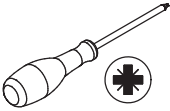
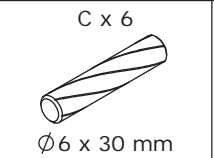
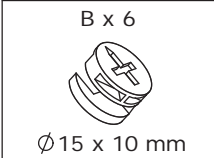
4



Screw eccentric rod (A) onto part 42.  
Secure magnet (G) to part 42 using  
screw (H) as shown.

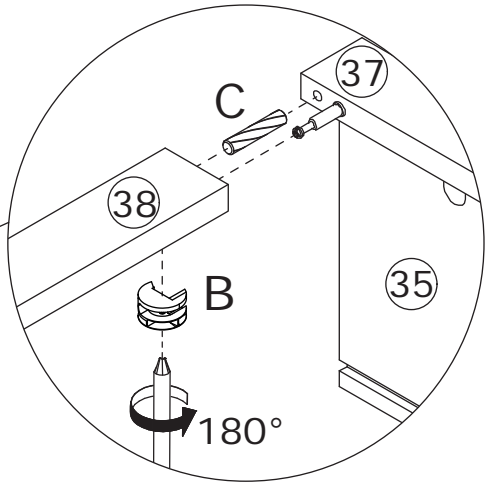
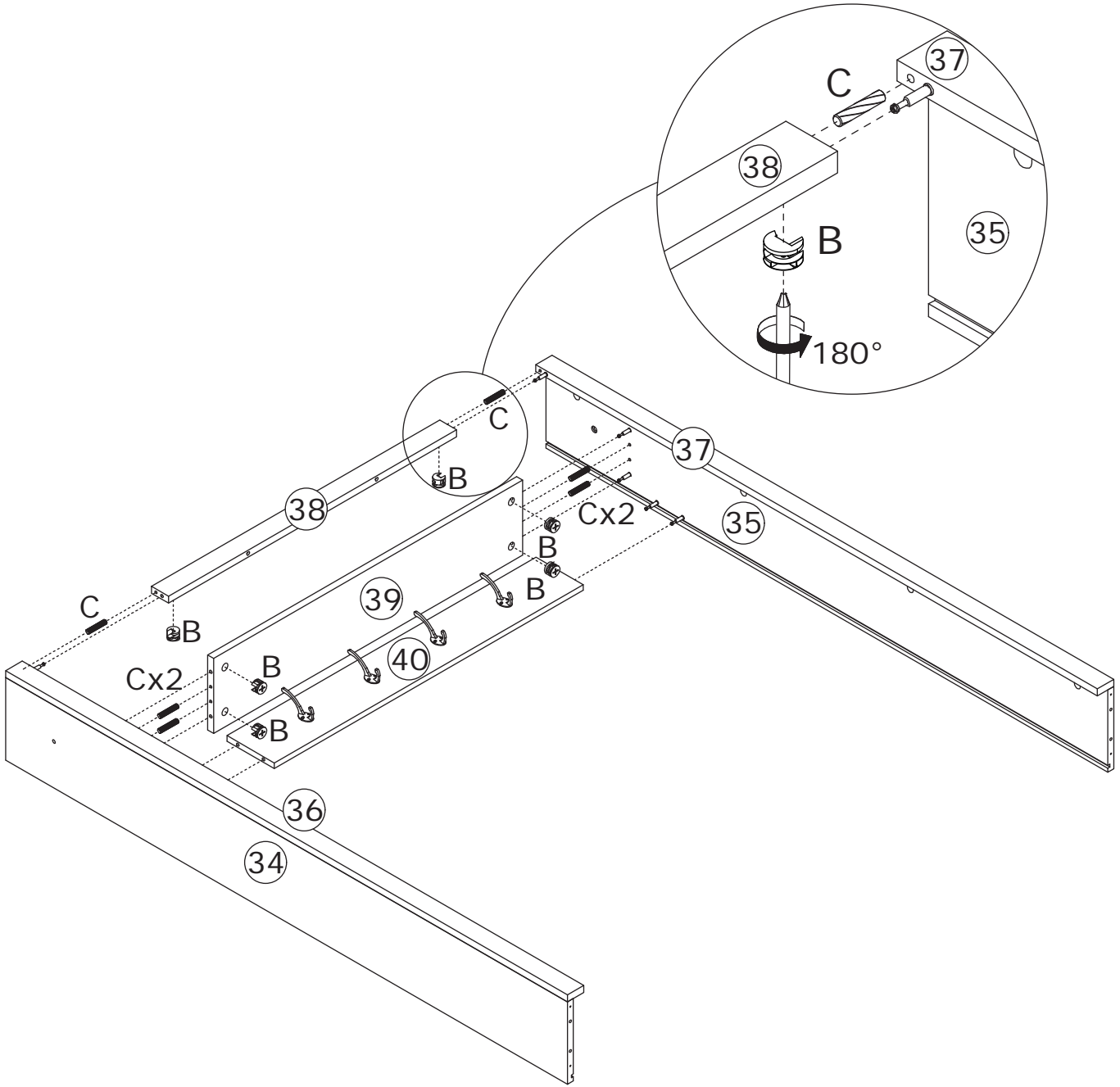
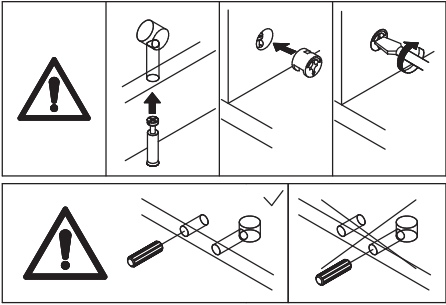


5

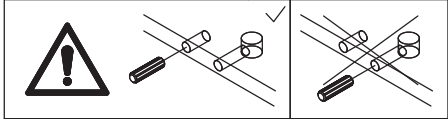
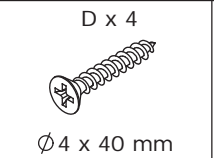
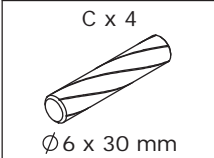


Connect part 39 and 38 to part 34, 35, 36, and 37 using wooden dowel (C), then tighten by turning cam lock (B) clockwise as shown.

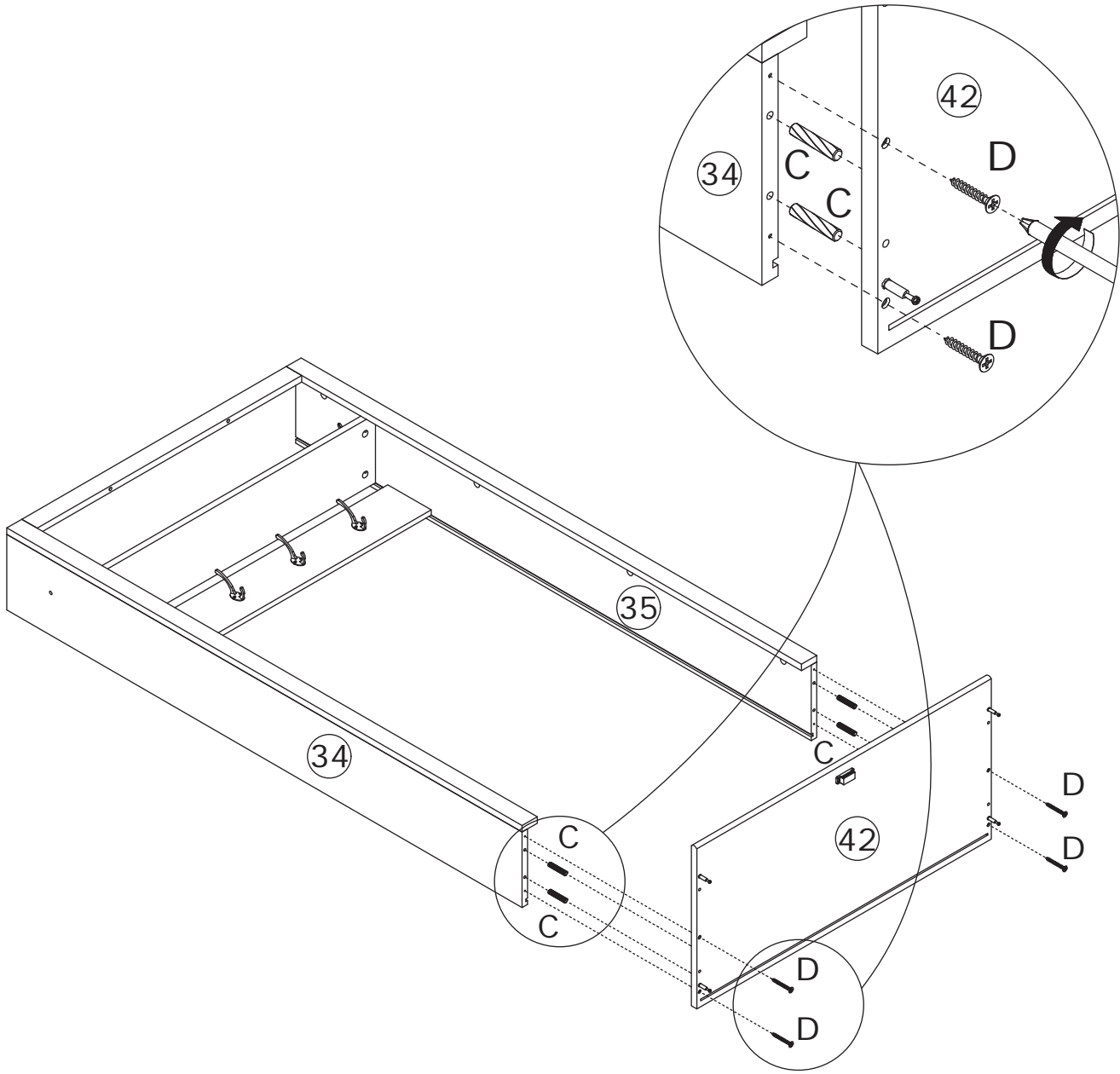
Connect part 40 to part 34 and 35, then tighten by turning cam lock (B) clockwise as shown.



6



Connect part 42 to part 34 and 35 using dowel (C), and secure with screw (D) as shown.

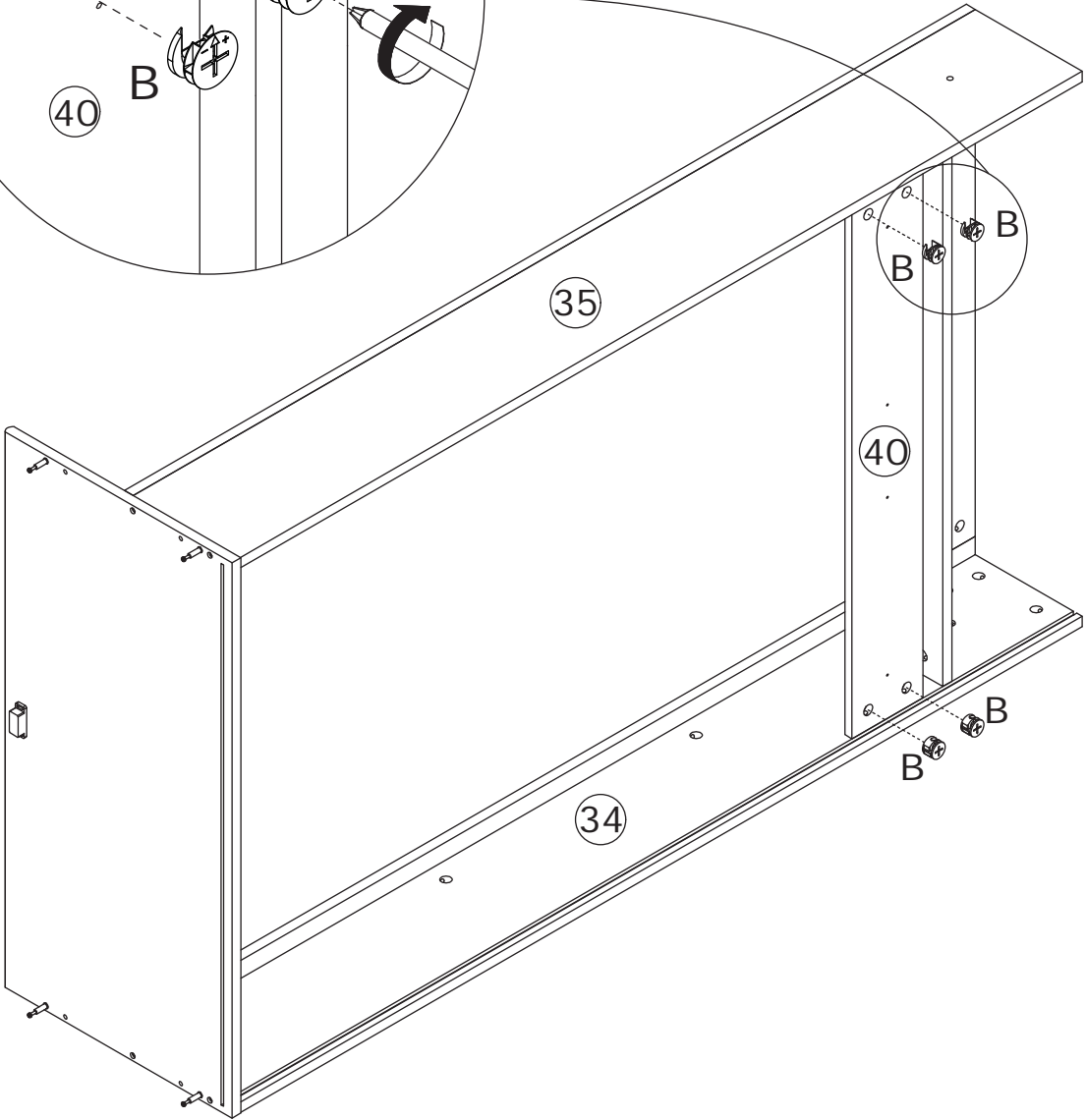
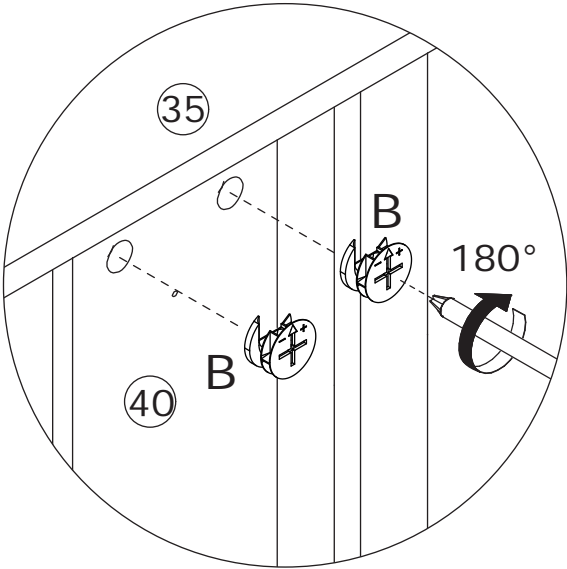
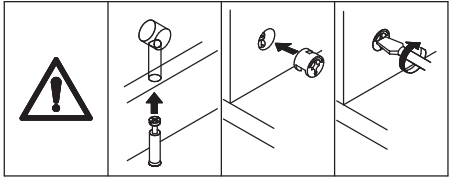


7

B x 4  
Ø 15 x 10 mm



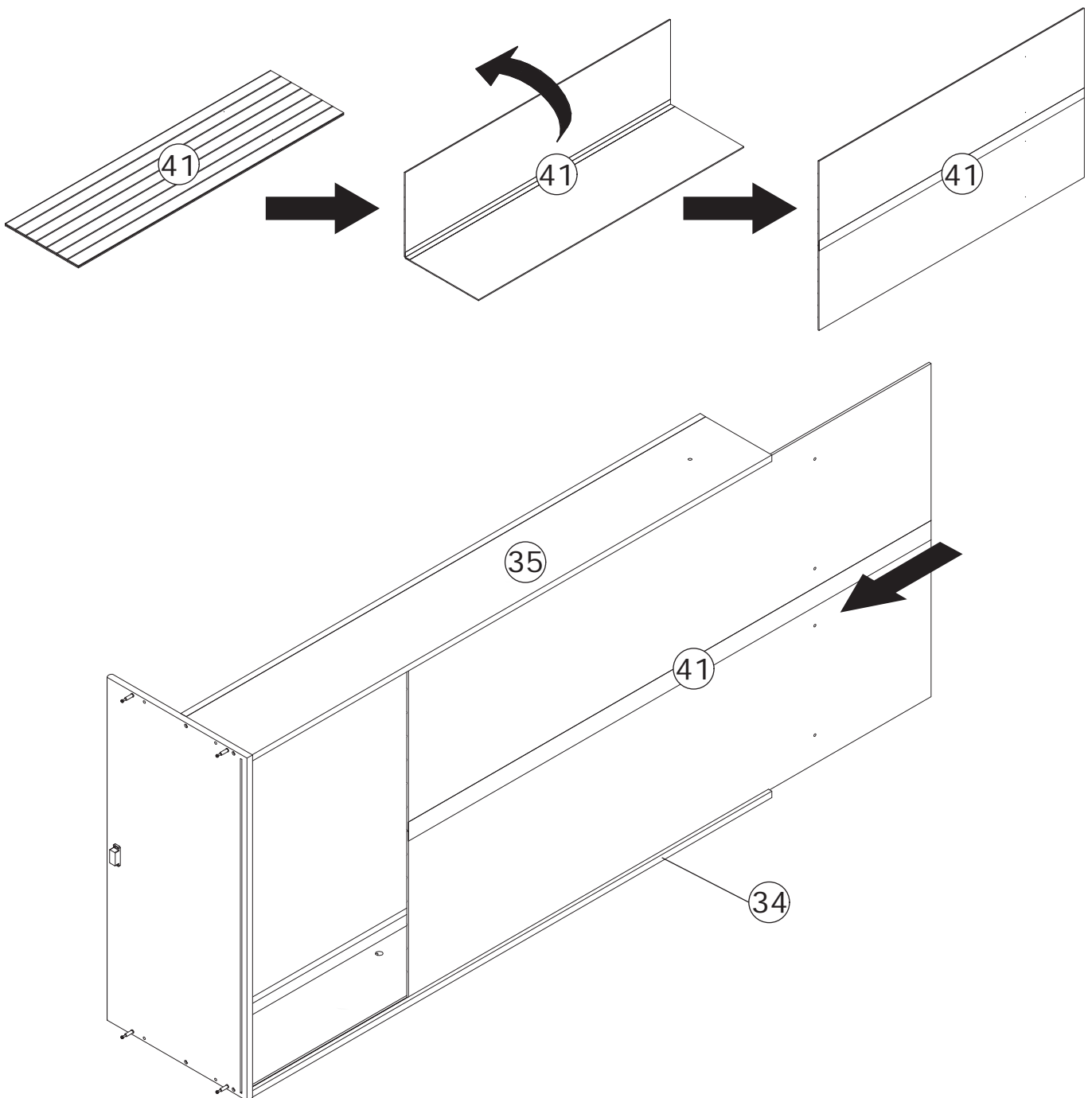
Put cam lock (B) into part 40, then tighten by turning them clockwise as shown.



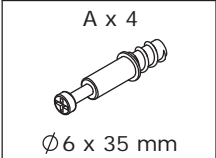
8

Unfold the folded backplate part 41 as shown and insert it along the available grooves.

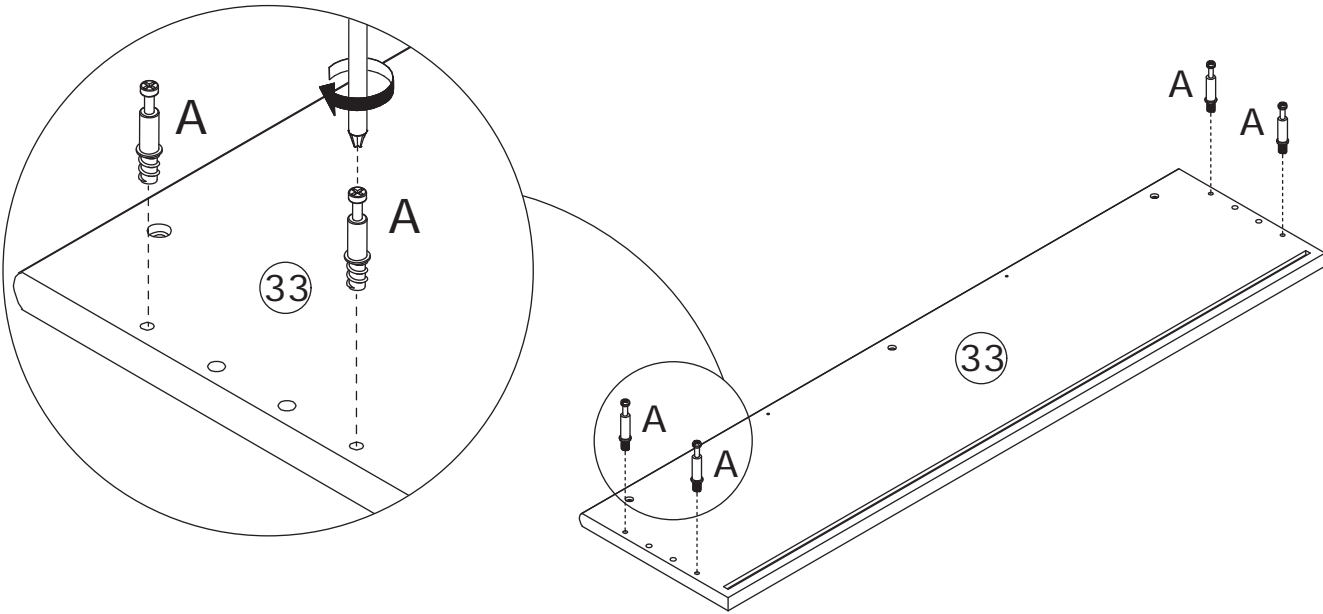
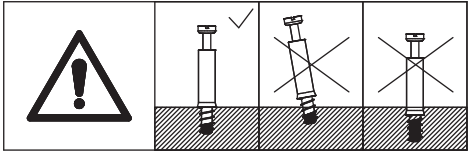
Note that the arrow on part 41 should be placed in the direction indicated by the arrow as shown.



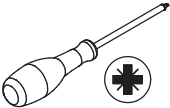
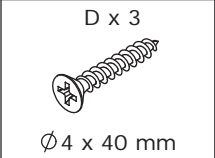
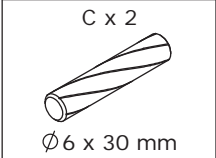
9



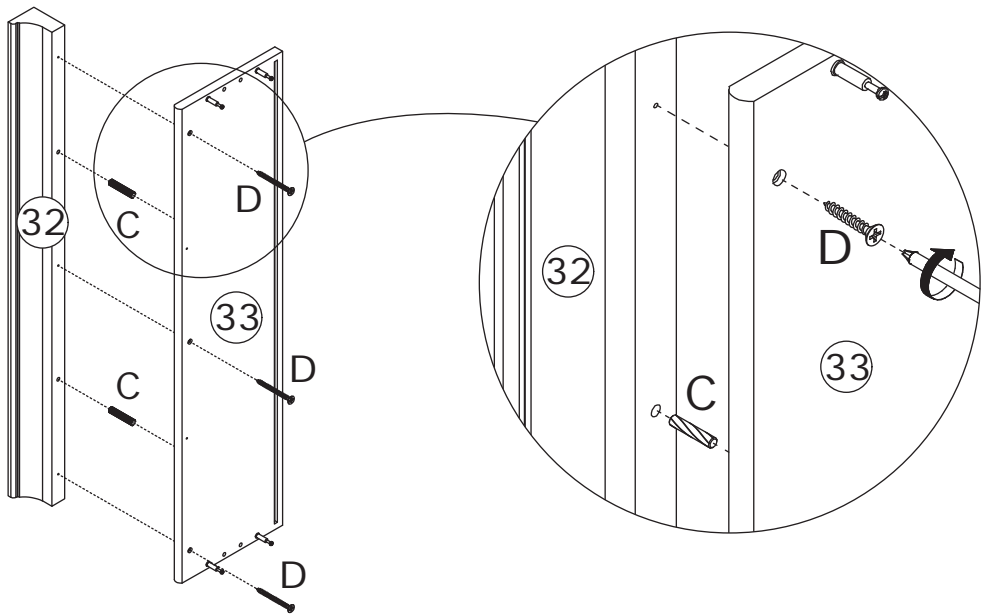
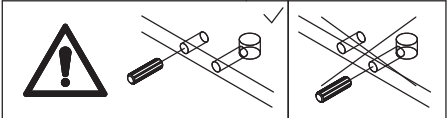
Screw eccentric rod (A) onto part 33.



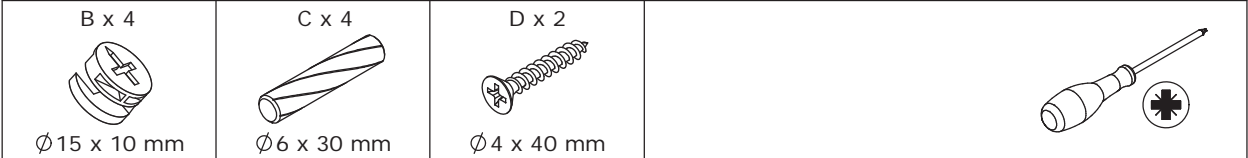
10



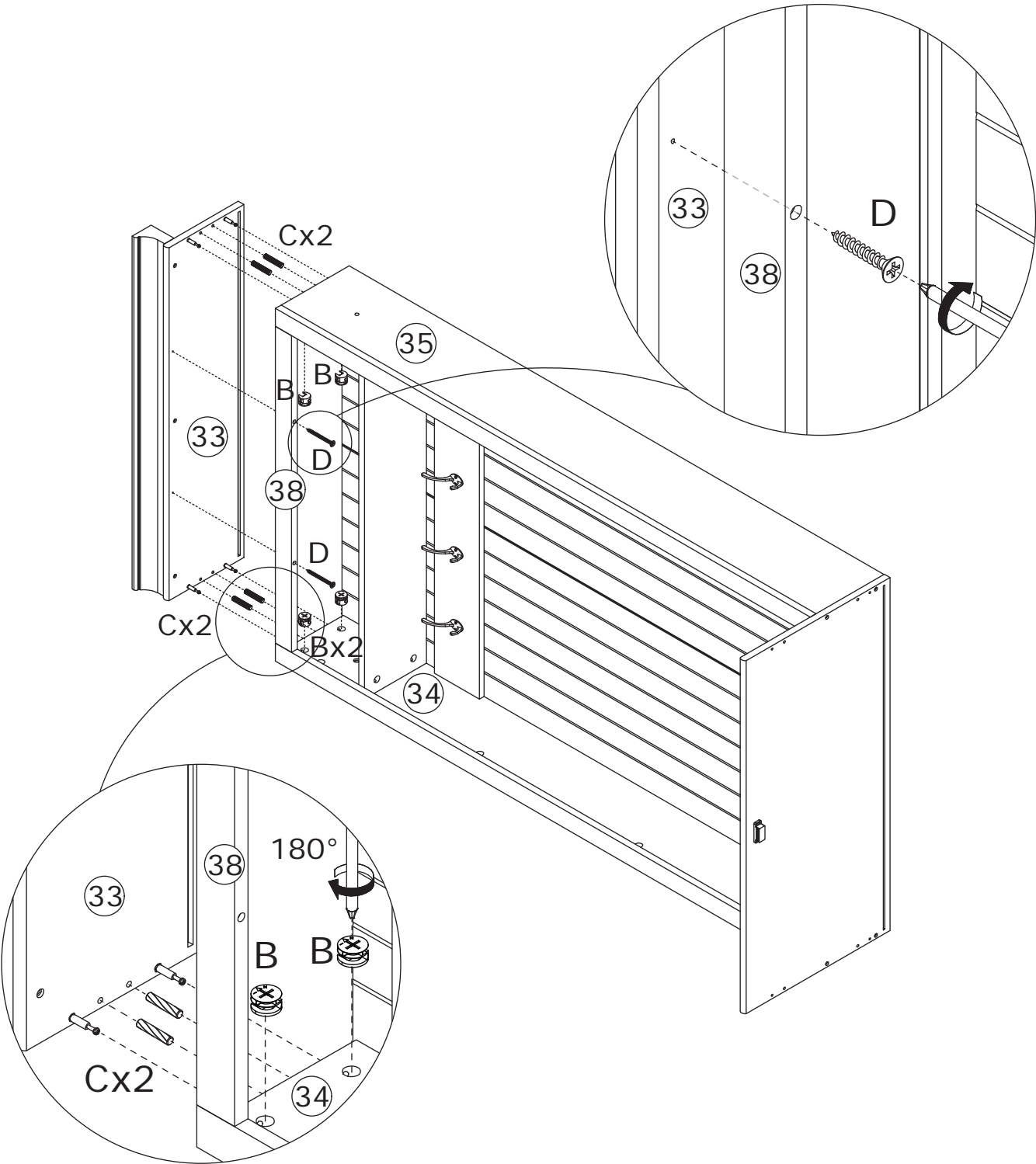
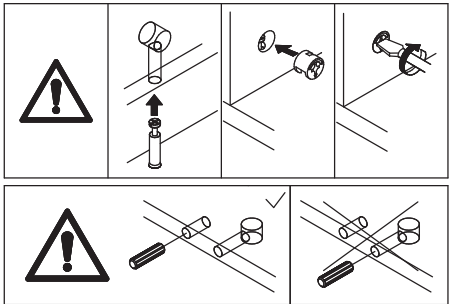
Connect part 32 to part 33 using wooden dowel (C), and secure with screw (D).



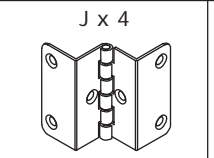
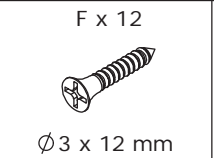
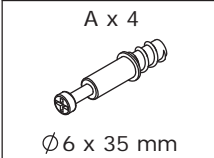
11



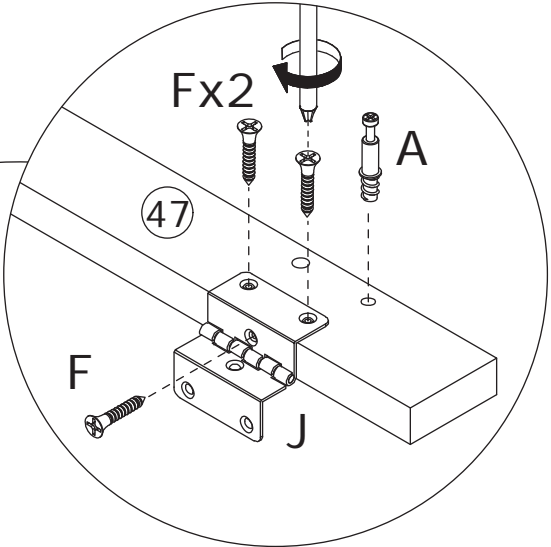
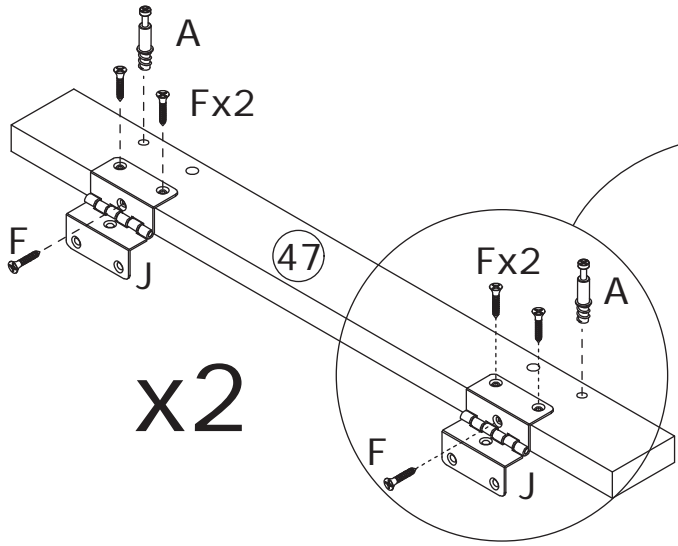
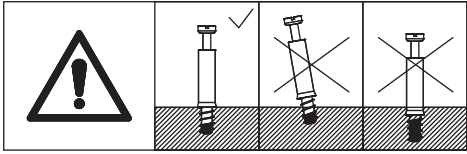
Connect part 33 to part 34 and 35 using wooden dowel (C), then tighten by turning cam lock (B) clockwise as shown. Secure part 38 to part 33 using screw (D).



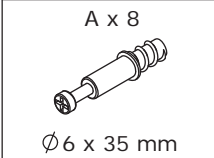
12



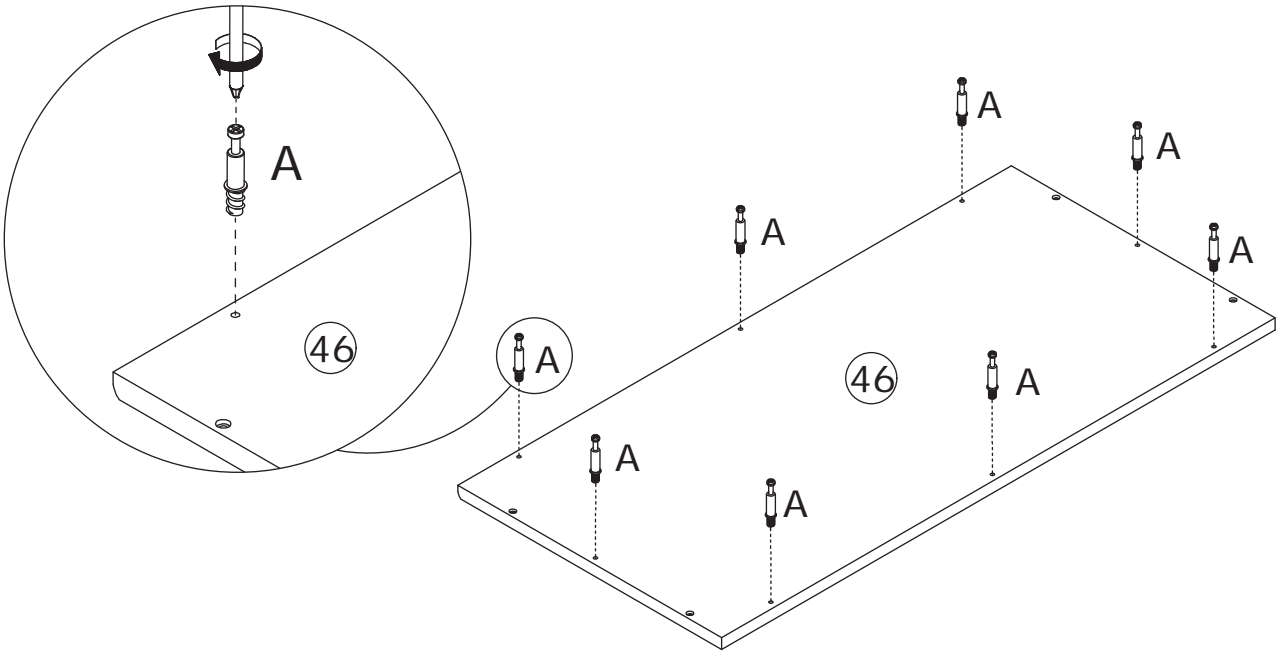
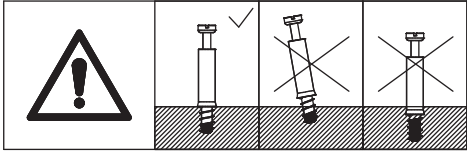
Screw eccentric rod (A) onto part 47.  
Secure hinge (J) to part 47 using screw (F)  
as shown.



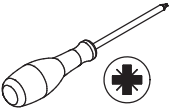
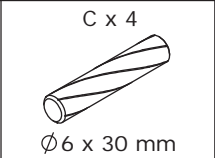
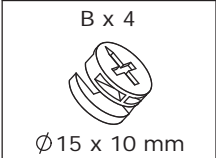
13



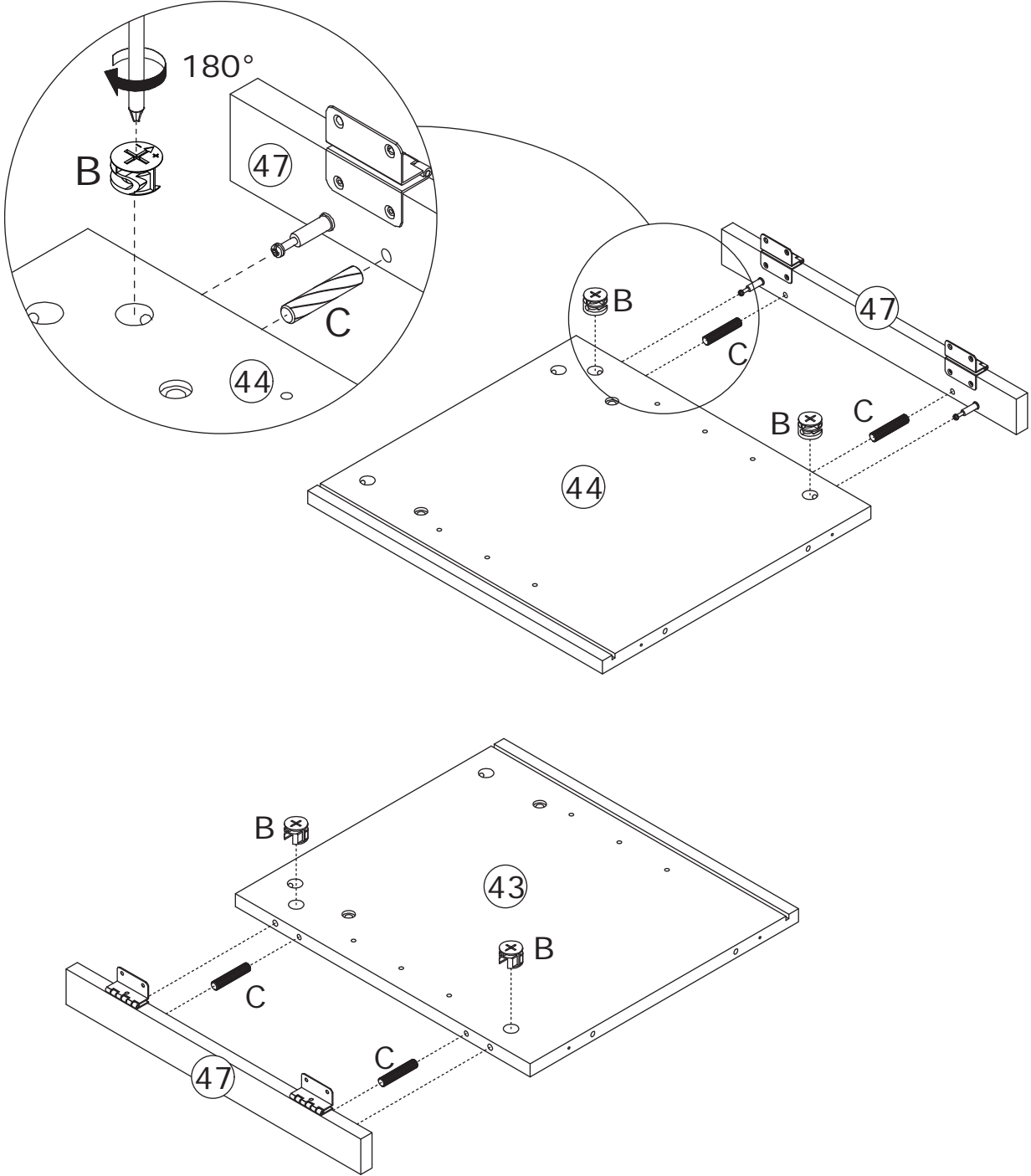
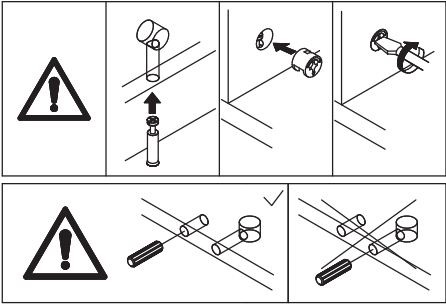
Screw eccentric rod (A) onto part 46.



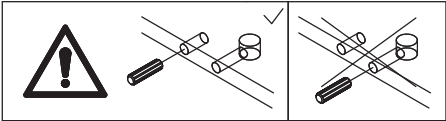
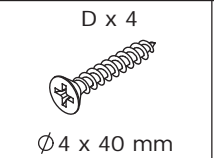
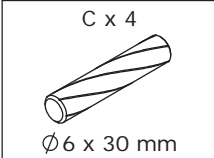
14



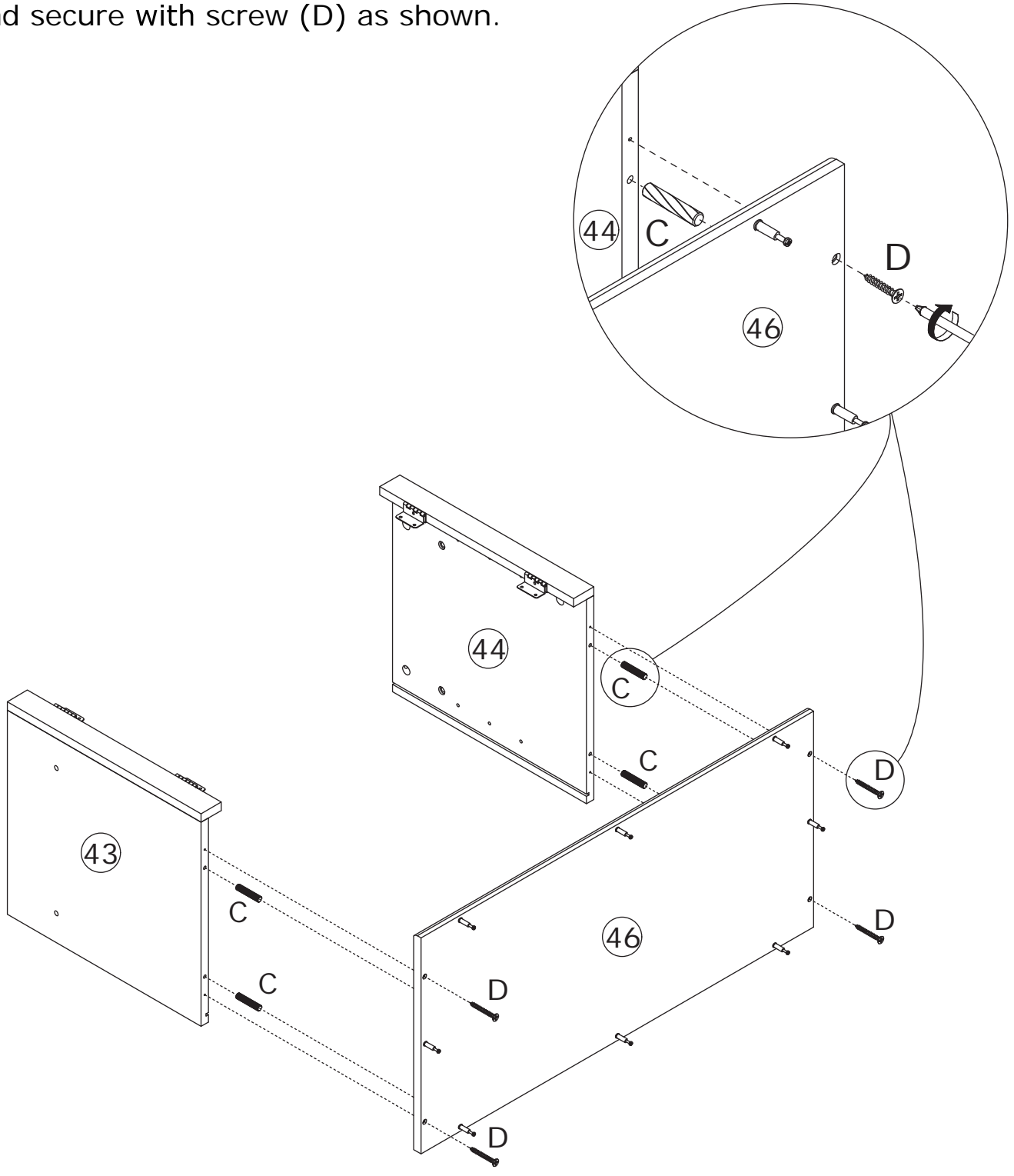
Connect part 47 to part 44 and 43 respectively using wooden dowel (C), then tighten by turning cam lock (B) clockwise as shown.



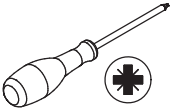
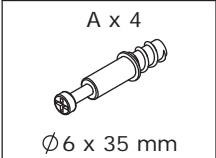
15



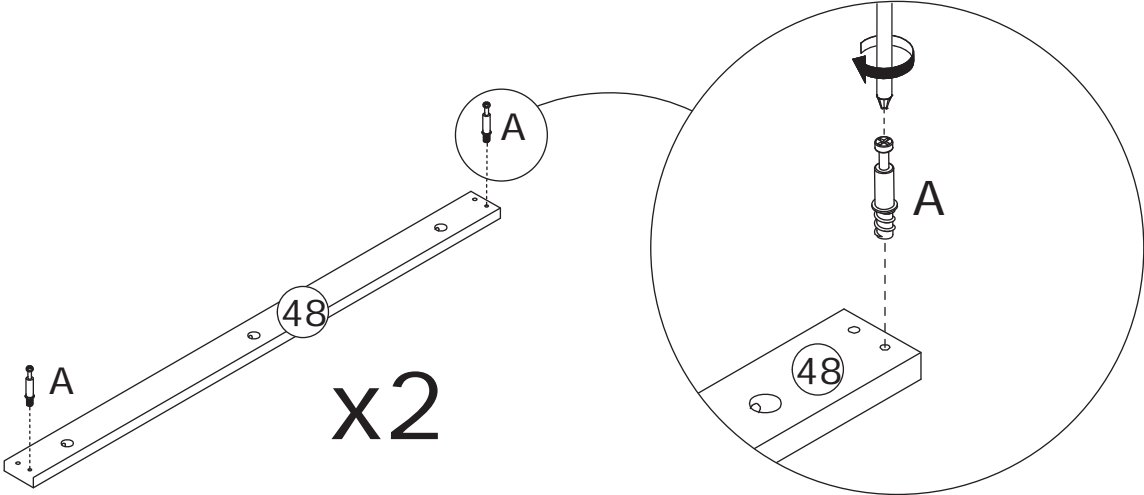
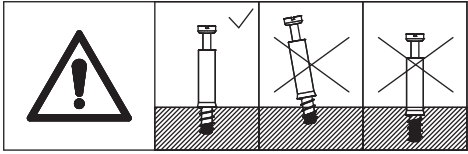
Connect part 46 to part 44 and 43 using dowel (C), and secure with screw (D) as shown.



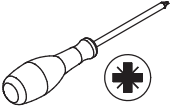
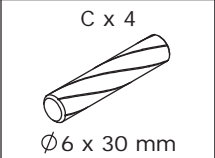
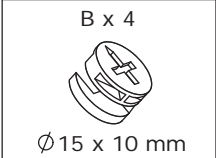
16



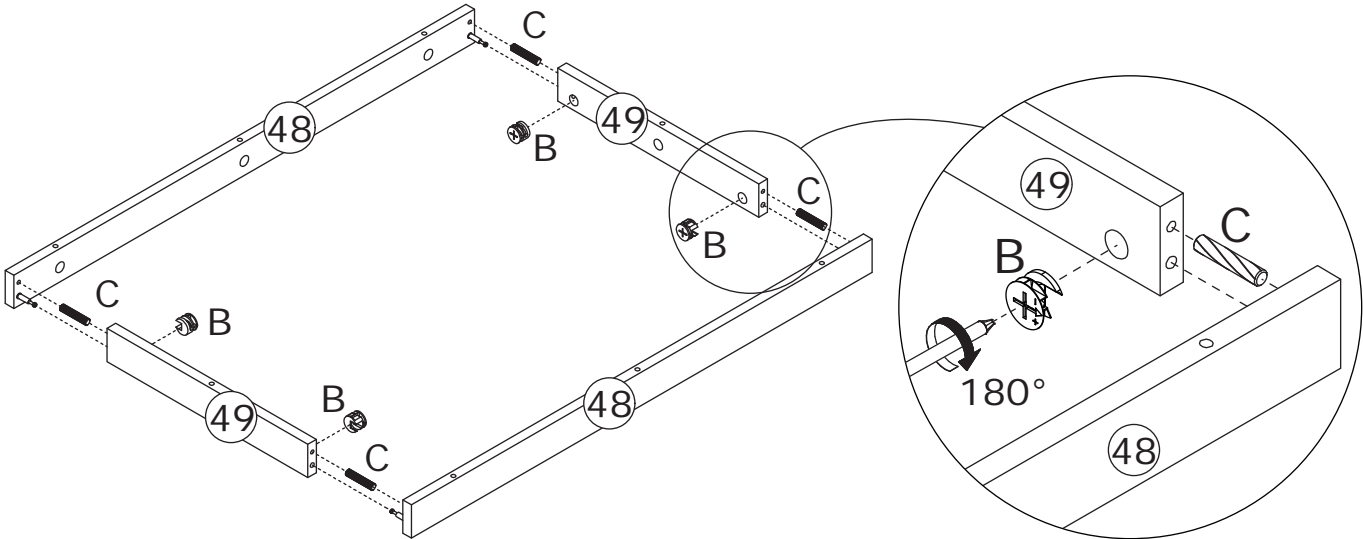
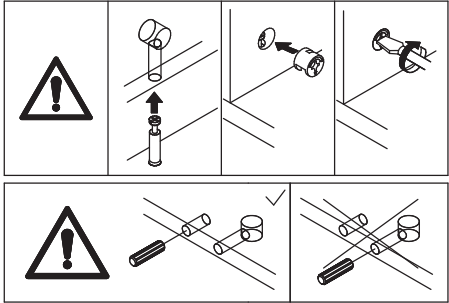
Screw eccentric rod (A) onto part 48.



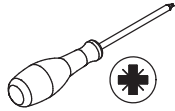
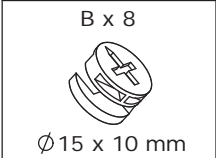
17



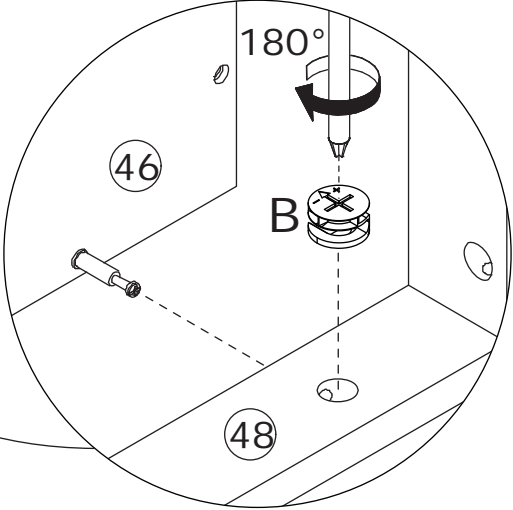
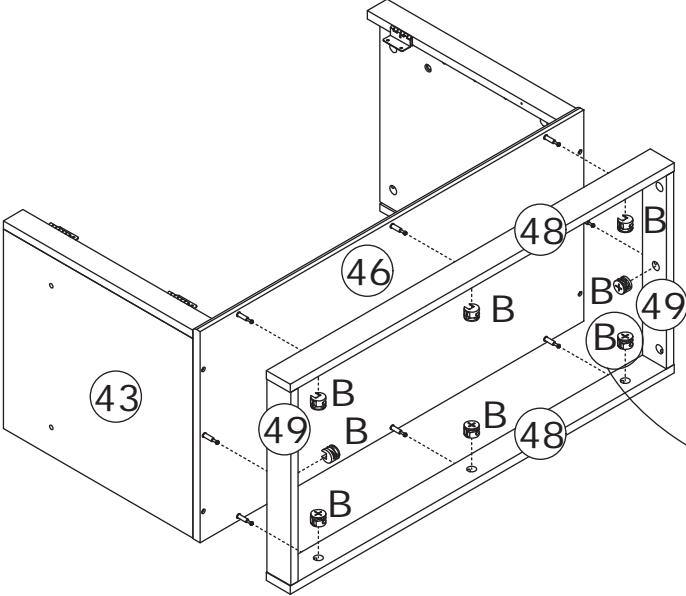
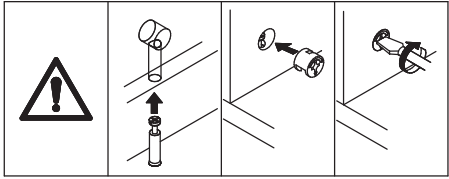
Connect part 49 to part 48 using wooden dowel (C), then tighten by turning cam lock (B) clockwise as shown.



18



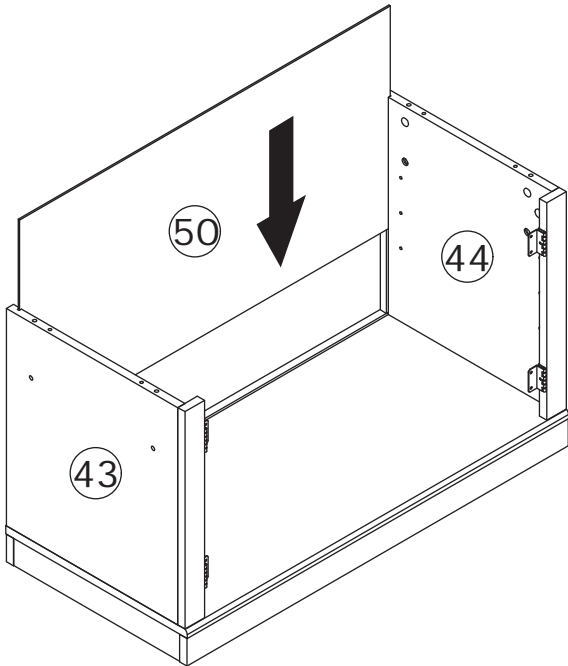
Connect part 48 and 49 to part 46, then tighten by turning cam lock (B) clockwise as shown.



19



Insert part 50 along the available grooves.



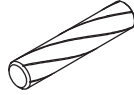
20

B x 4

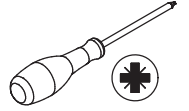


Ø15 x 10 mm

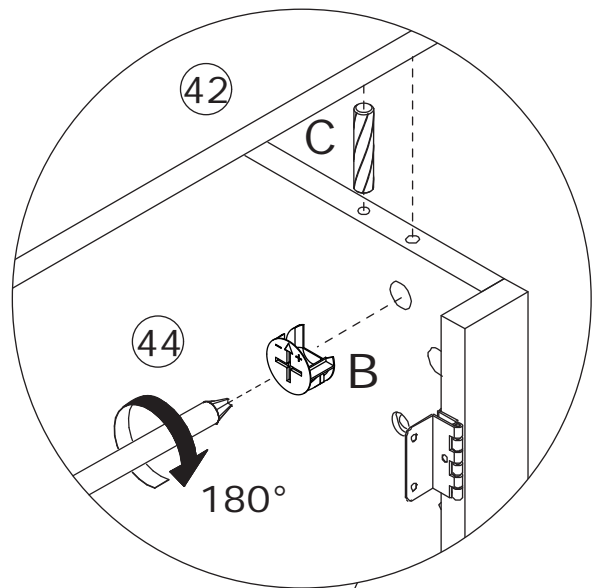
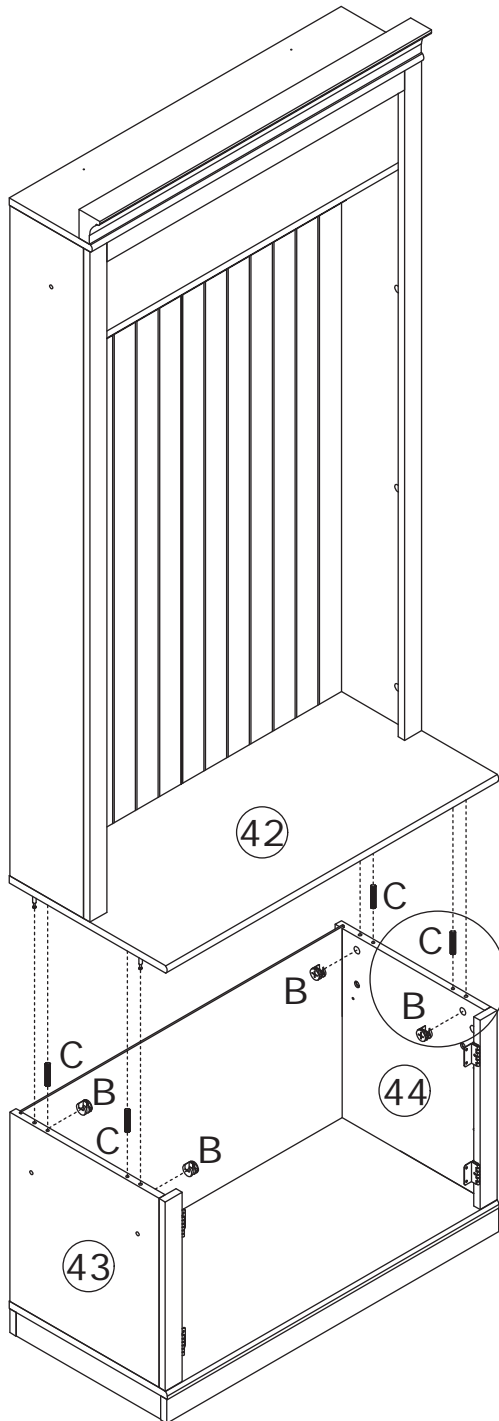
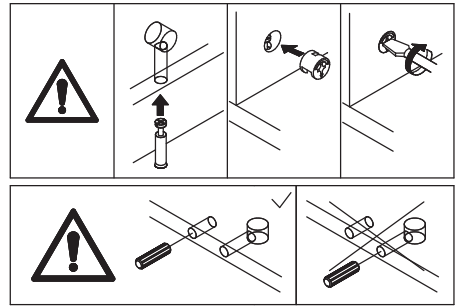
C x 4



Ø6 x 30 mm

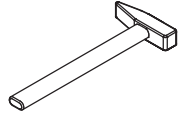
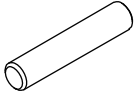


Connect part 42 to part 43 and 44 using wooden dowel (C), then tighten by turning cam lock (B) clockwise as shown.

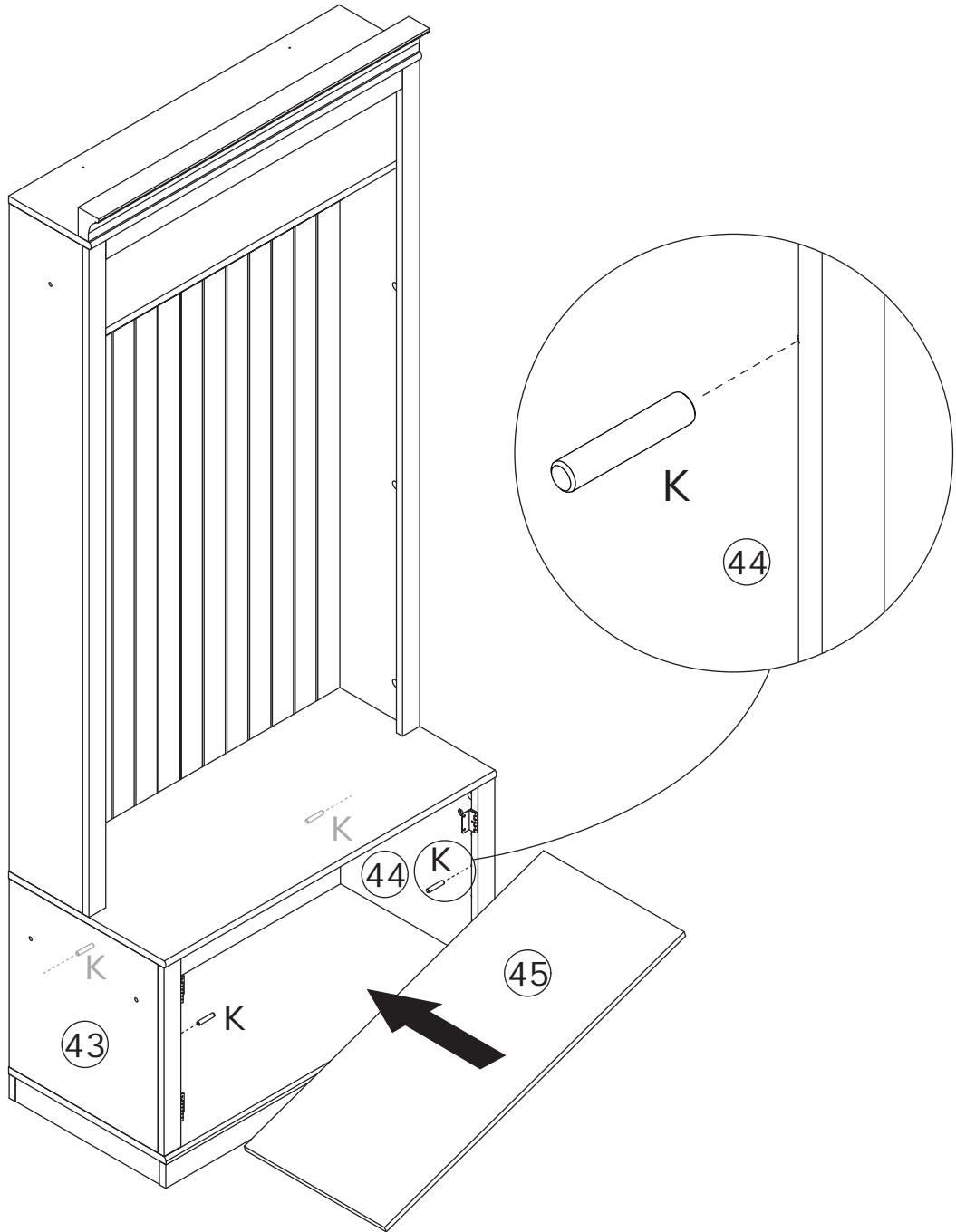


21

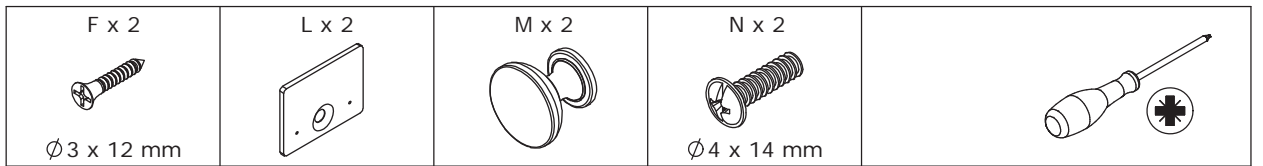
K x 4



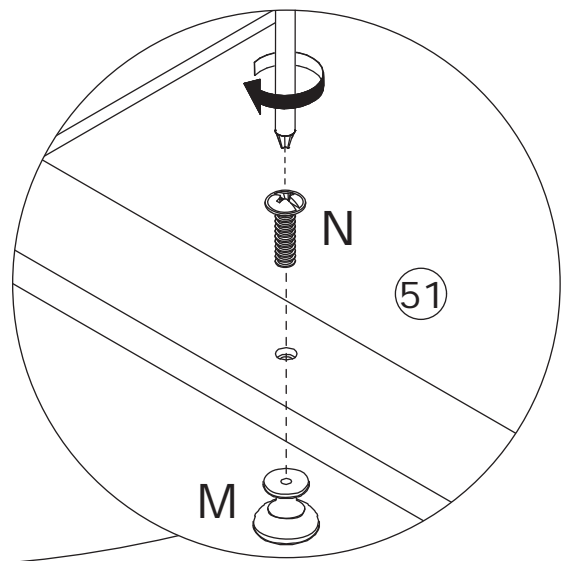
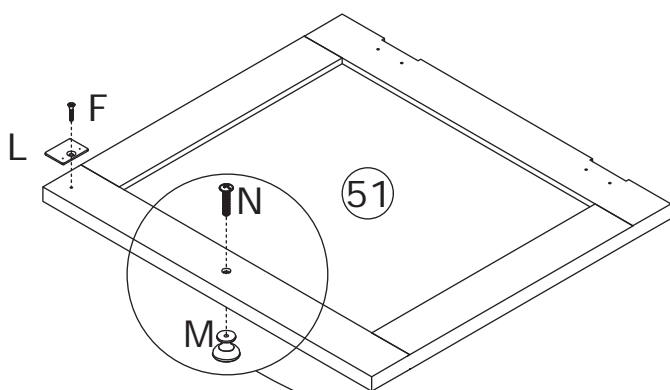
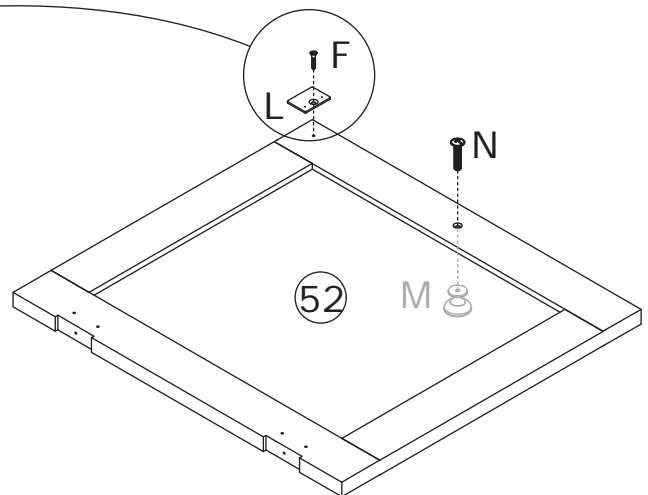
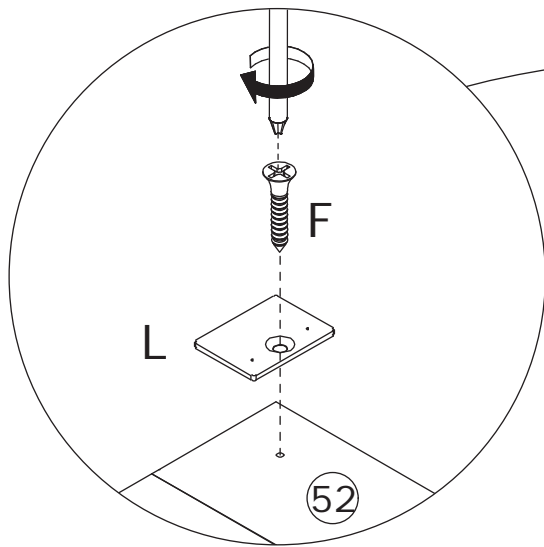
Insert pin (K) into part 43 and 44, then place part 45 on.



22



Secure knob (M) to part 51 and 52 using screw (N) as shown.  
Secure iron plate (L) to part 51 and 52 using screw (F) as shown.

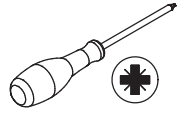


23

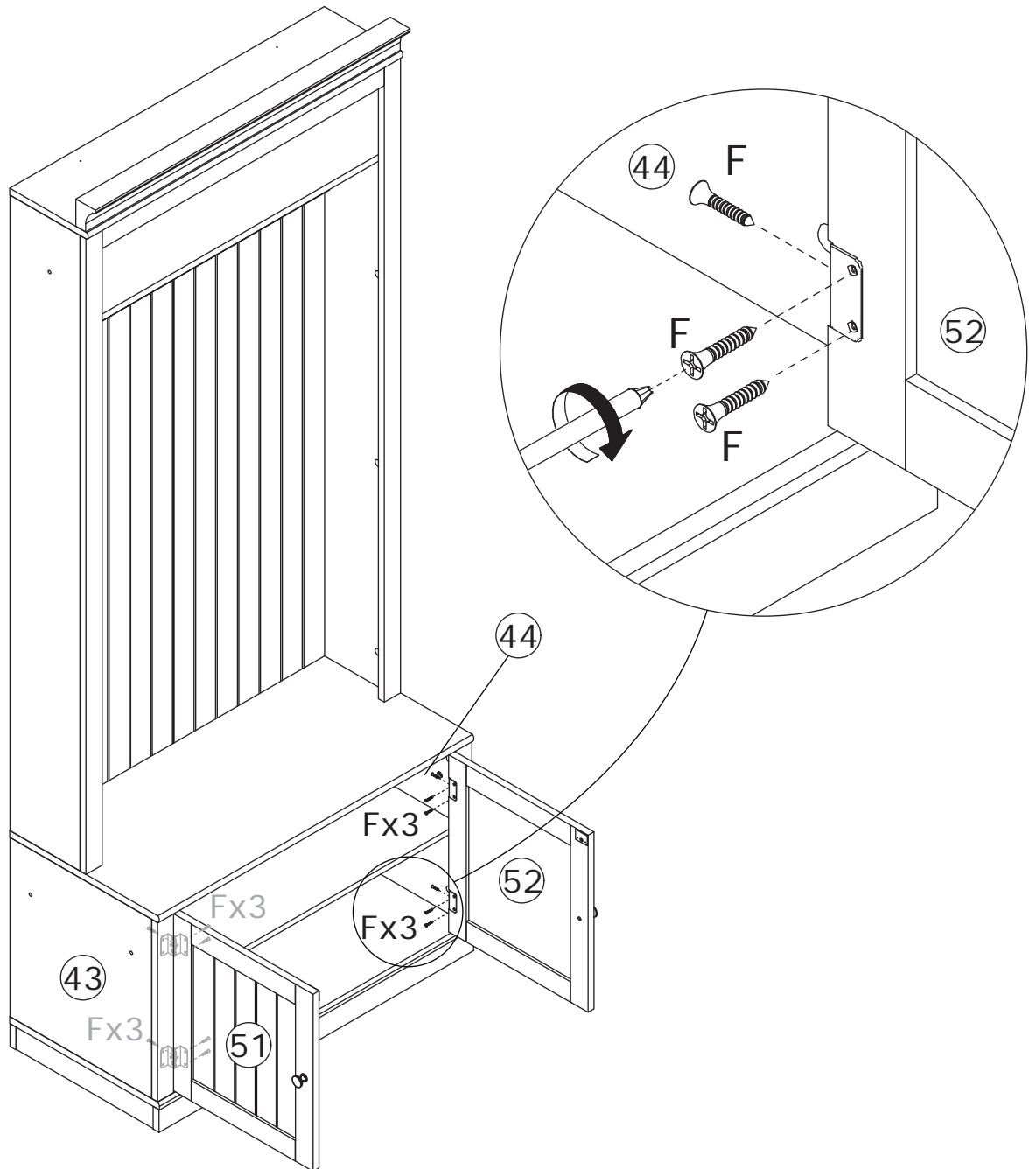
F x 12



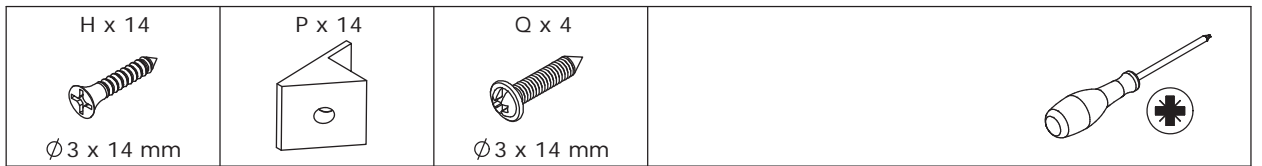
Ø3 x 12 mm



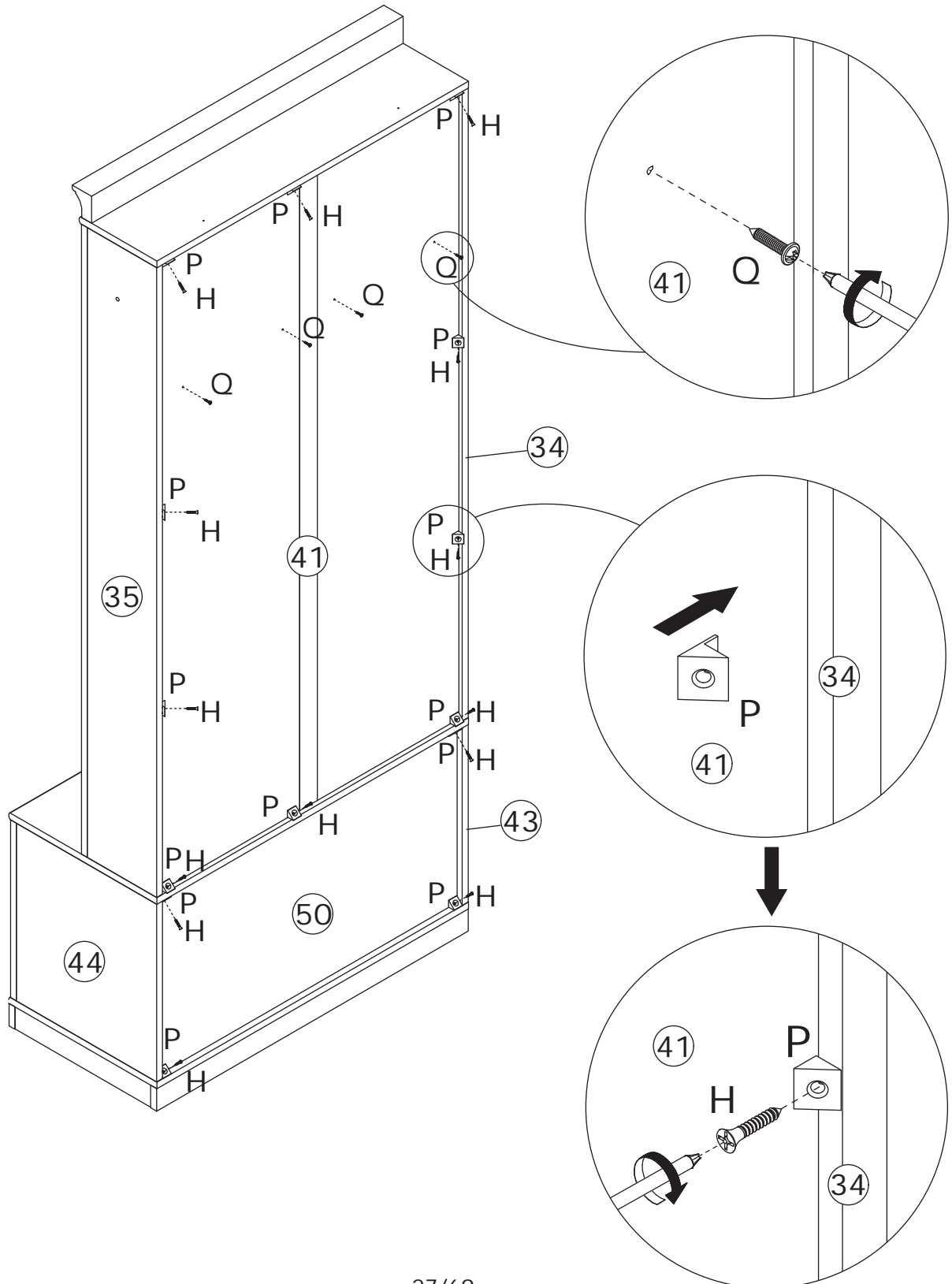
Secure part 51 and 52 to the unit by securing hinges using screw (F) as shown.



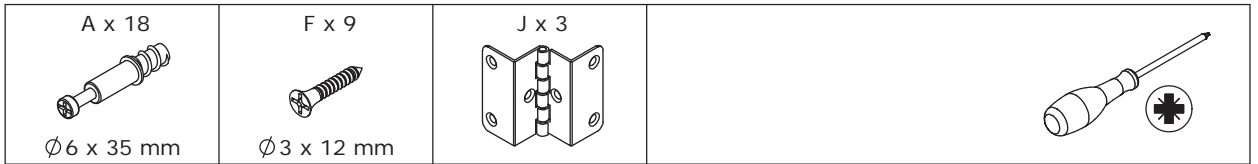
# 24



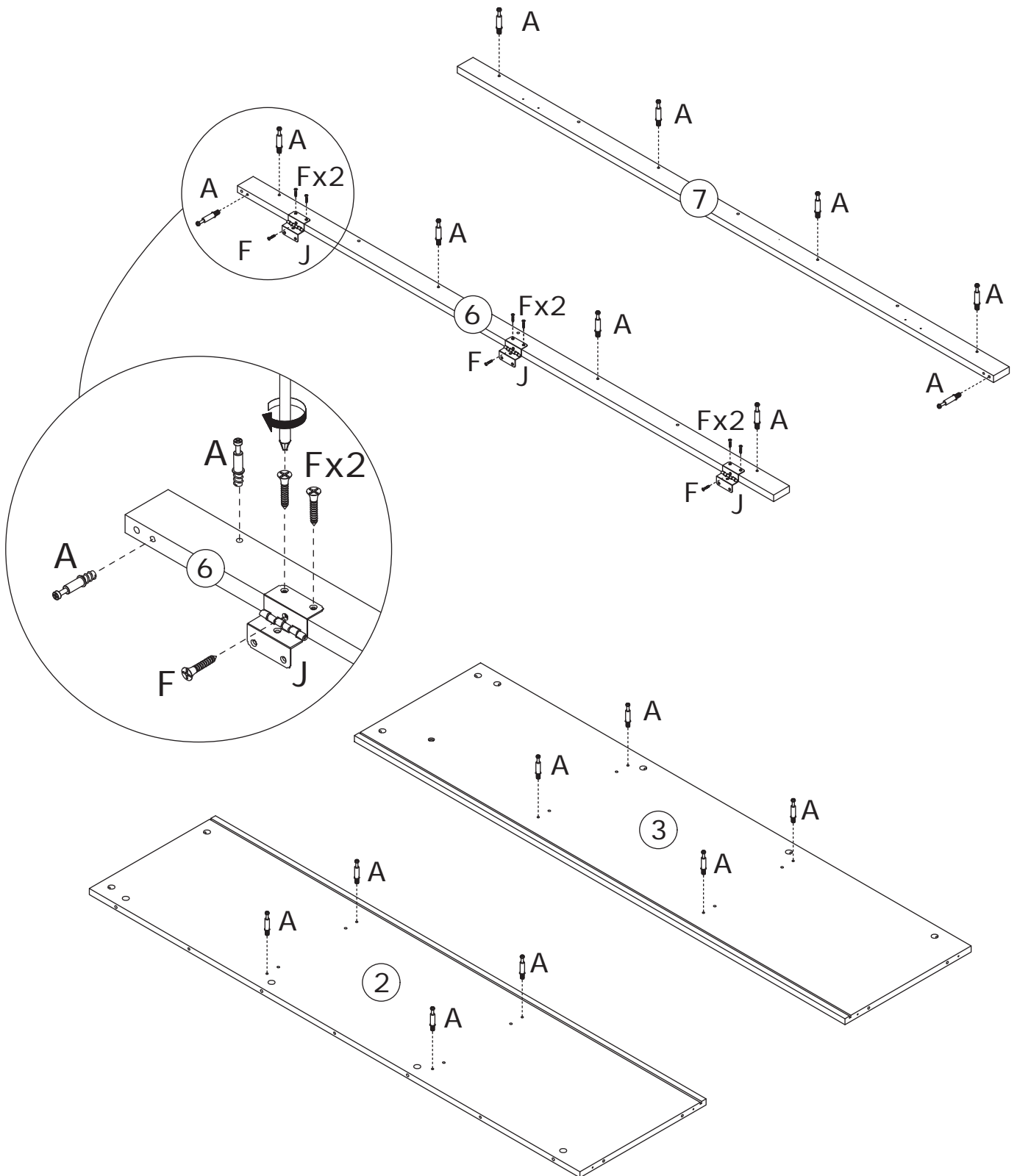
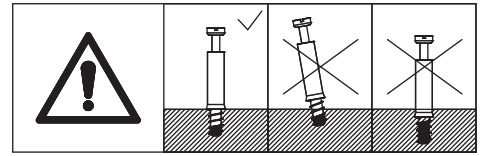
Insert clip (P) into the back slots, secure with screw (H).  
Secure backplate to the unit with screw (Q).



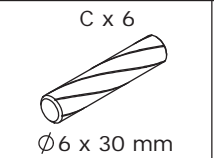
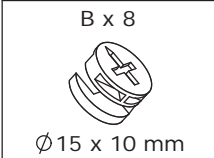
25



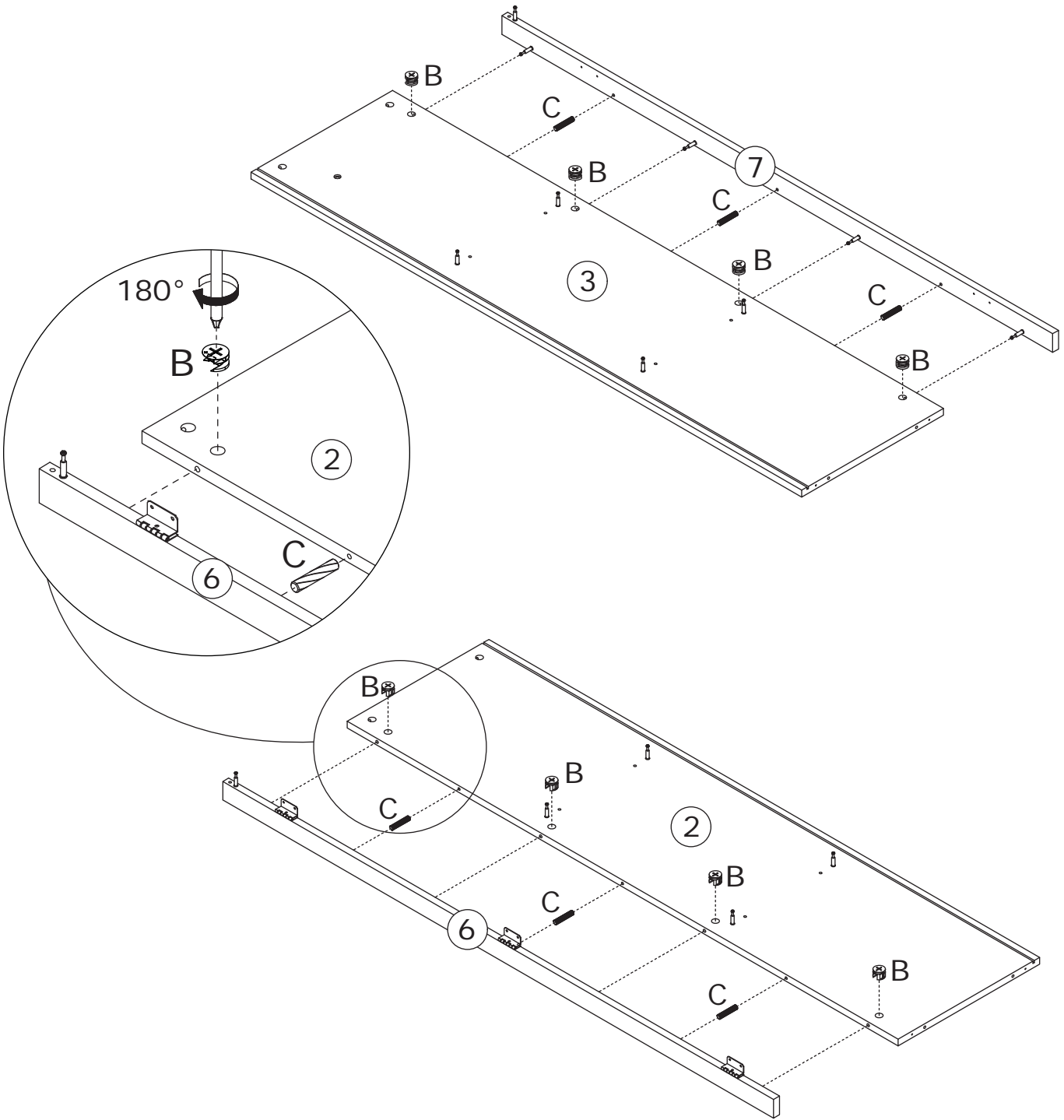
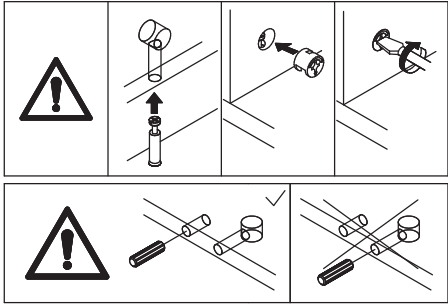
Screw eccentric rod (A) onto part 2, 3, 6, and 7. Secure hinge (J) to part 6 and 7 using screw (F) as shown.



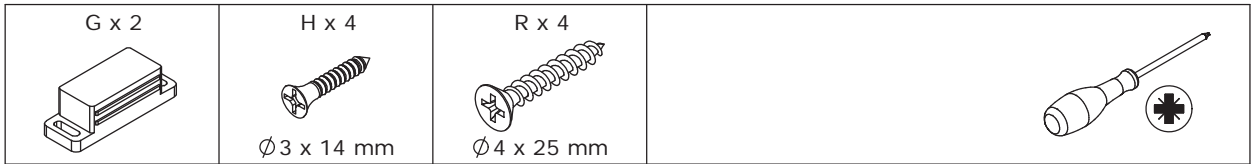
26



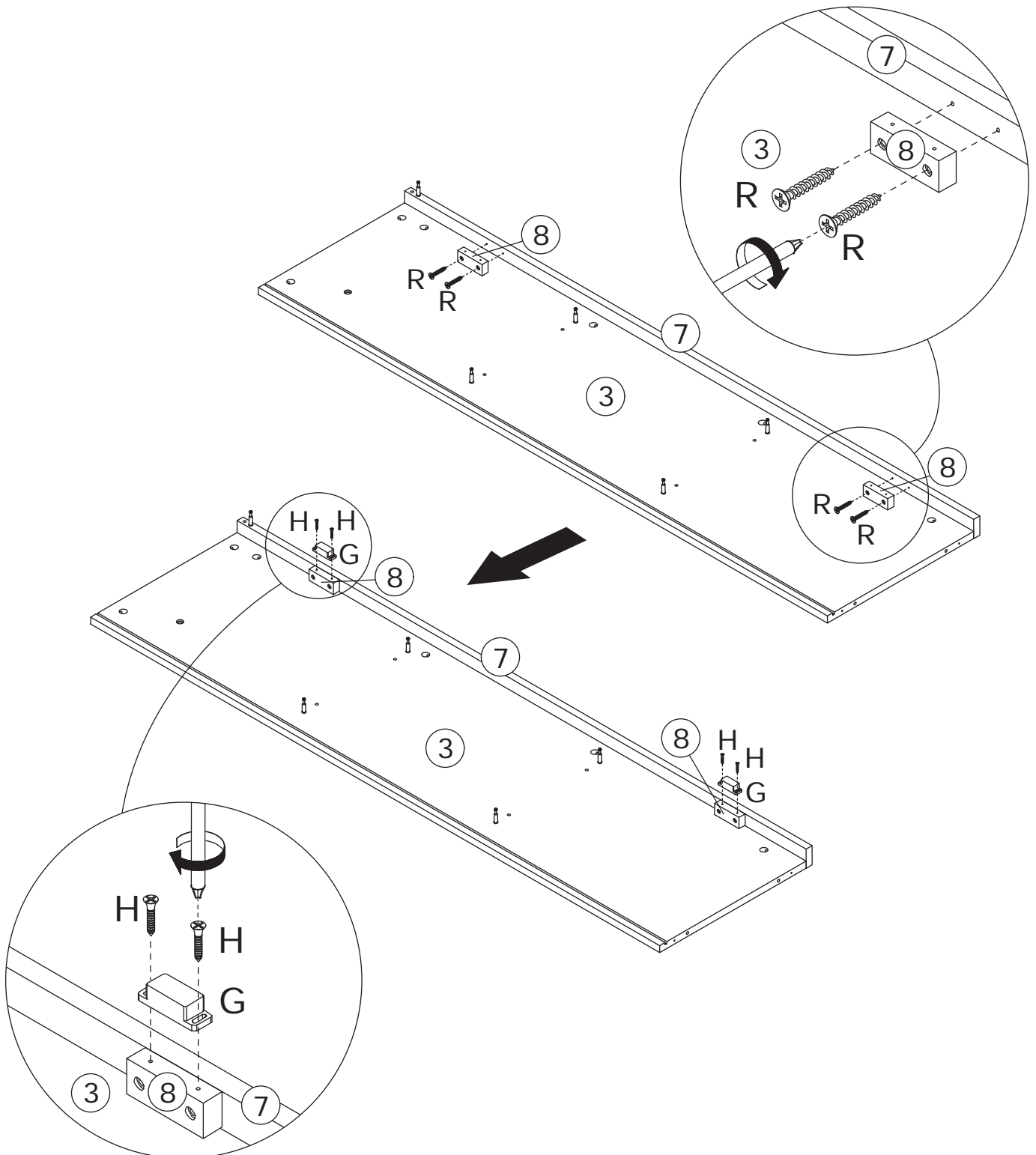
Connect part 7 to part 3, and part 6 to part 2 using wooden dowel (C), then tighten by turning cam lock (B) clockwise as shown.



27



Secure part 8 to part 7 using screw (R), then secure magnet (G) onto part 8 using screw (H) as shown.



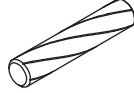
28

B x 5

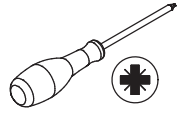


Ø15 x 10 mm

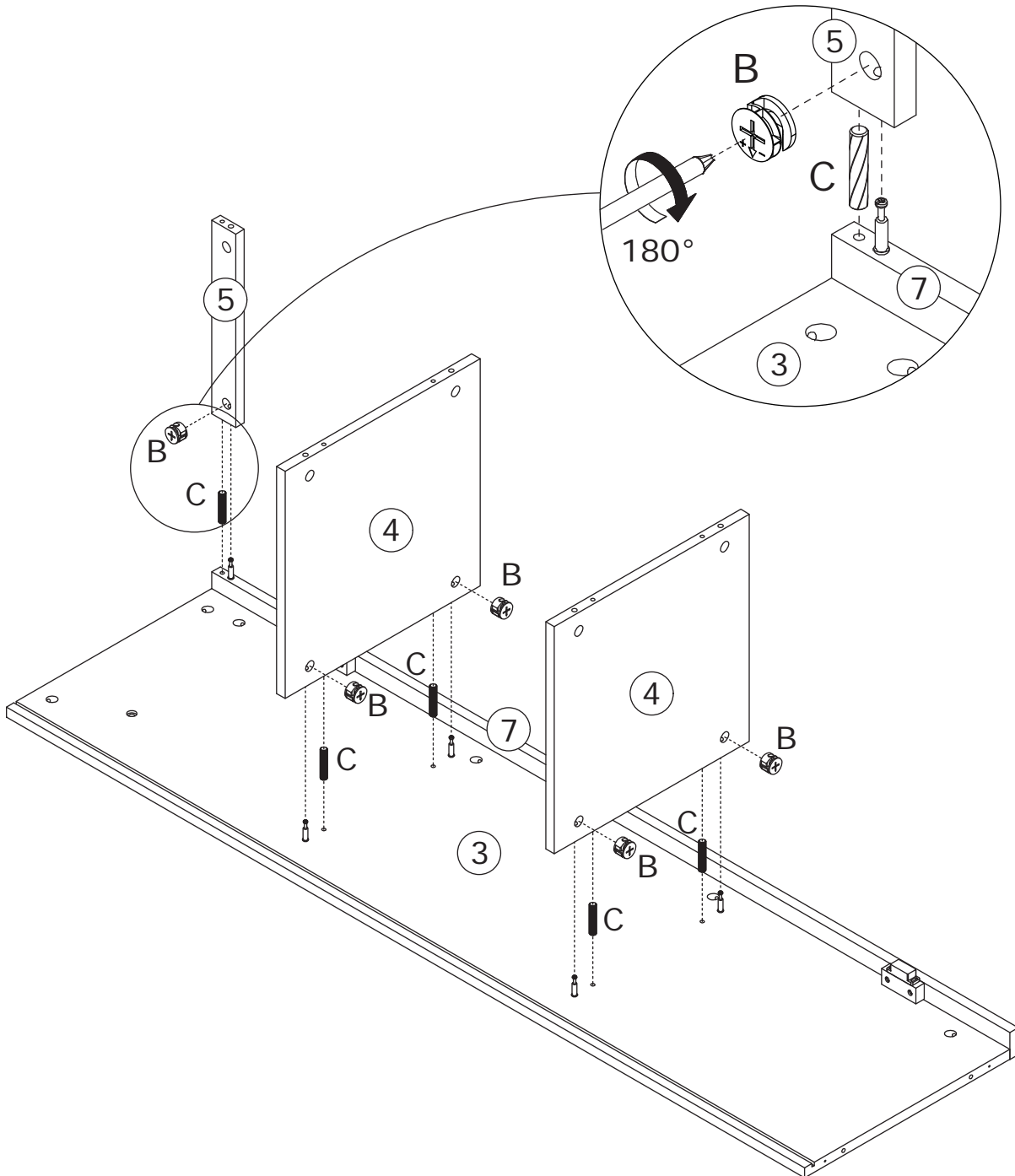
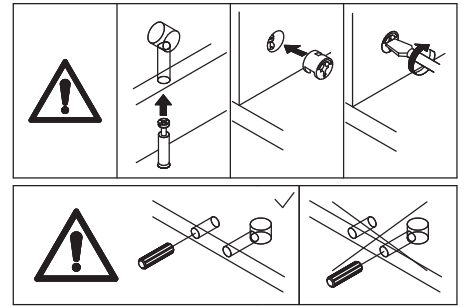
C x 5



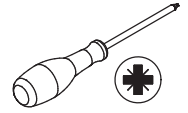
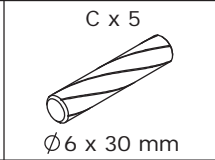
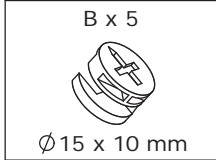
Ø6 x 30 mm



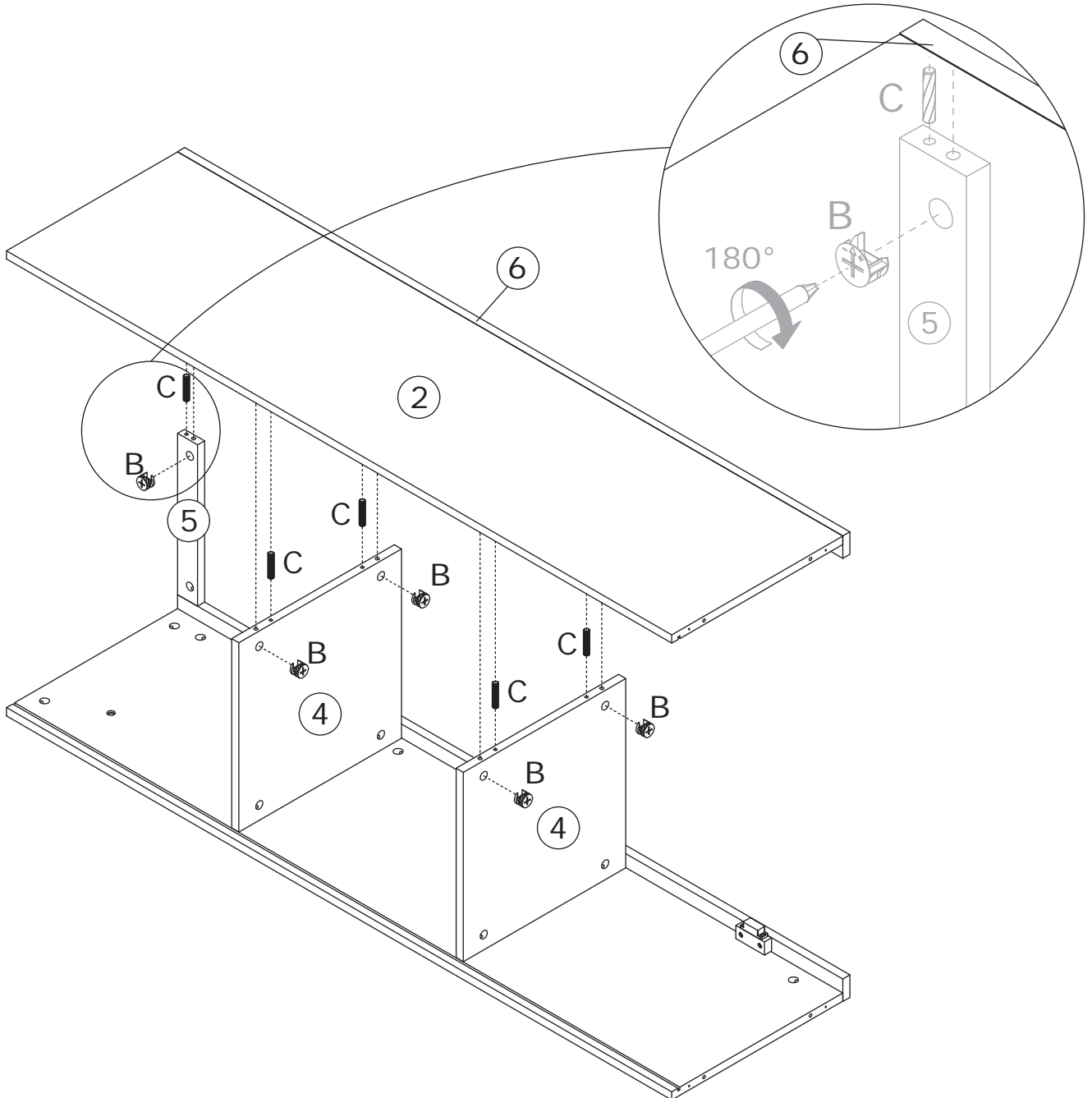
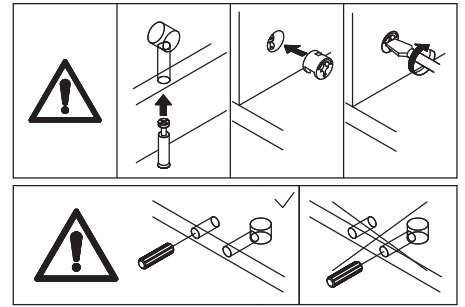
Connect part 4 and 5 to part 3 and 7 using wooden dowel (C), then tighten by turning cam lock (B) clockwise as shown.



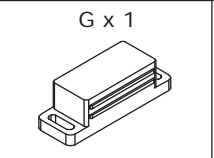
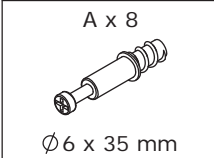
29



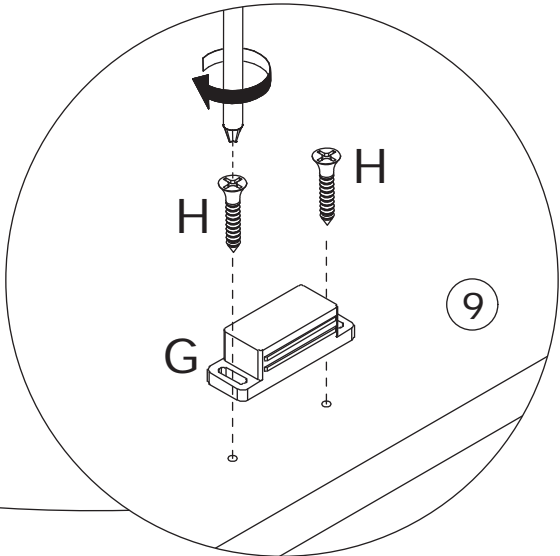
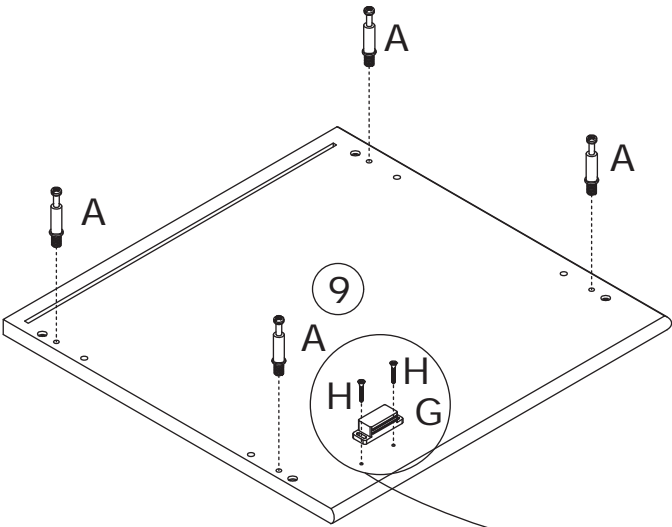
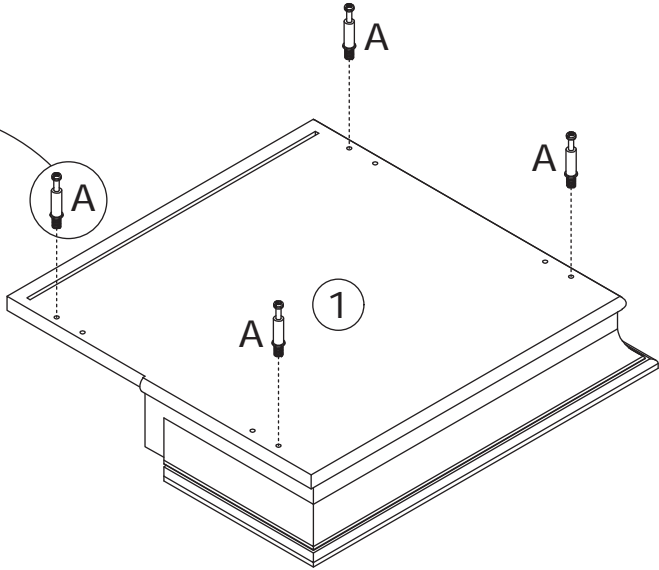
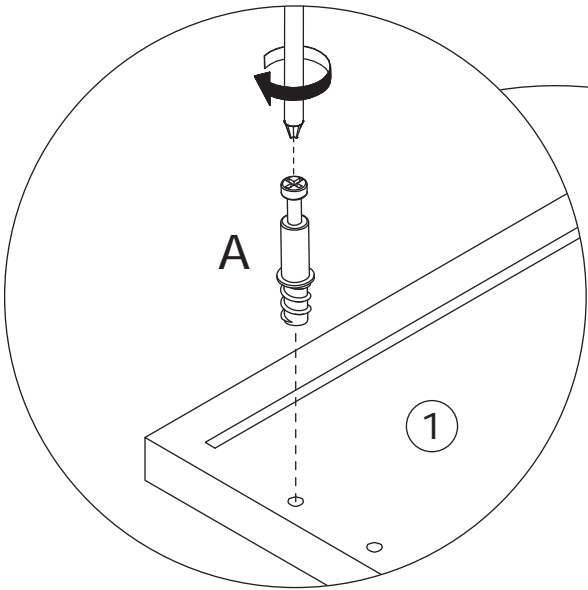
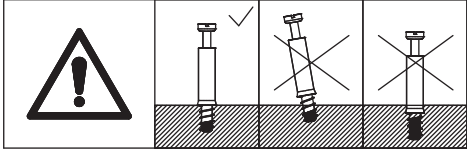
Connect part 2 and 6 to part 4 and 5 using wooden dowel (C), then tighten by turning cam lock (B) clockwise as shown.



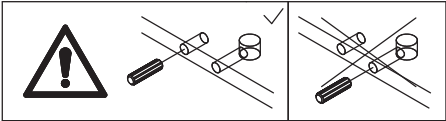
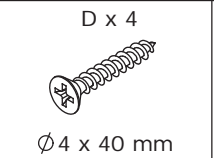
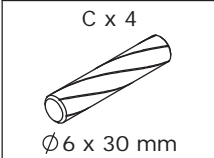
30



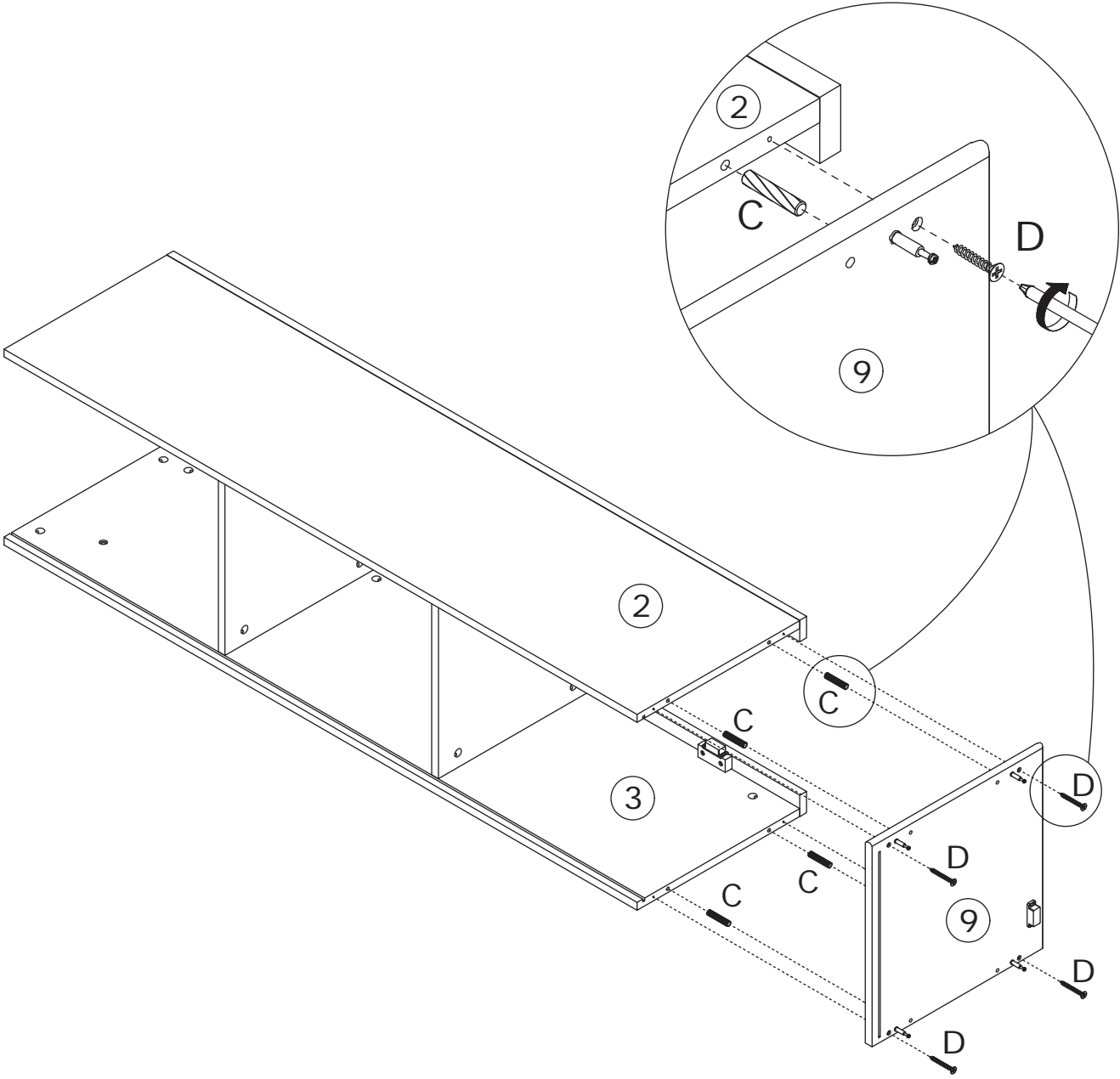
Screw eccentric rod (A) onto part 1 and 9 .  
Then secure magnet (G) to part 9 using screw (H) as shown.



31

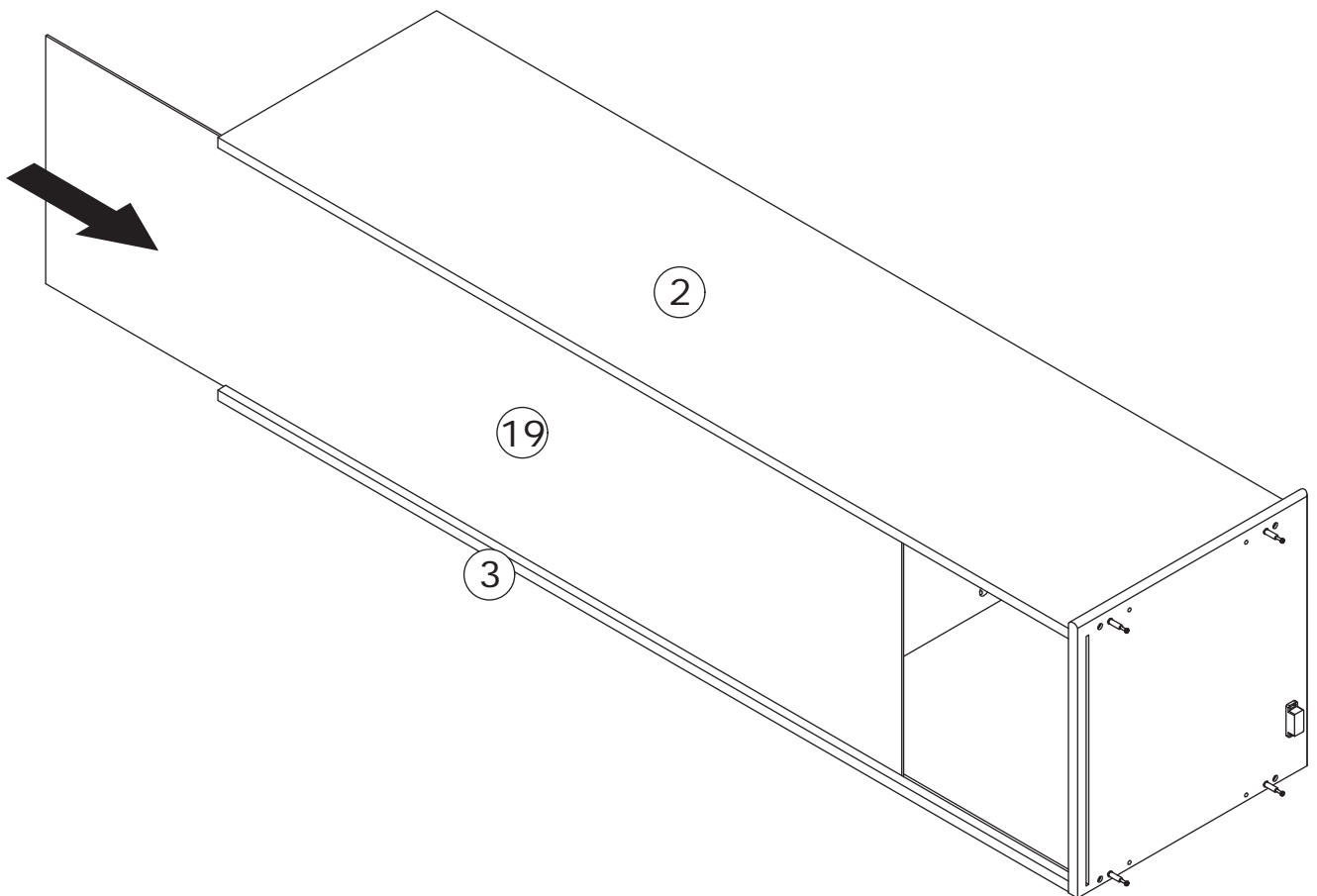


Connect part 9 to part 2 and 3 using dowel (C), and secure with screw (D) as shown.

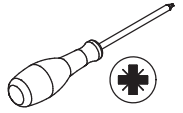
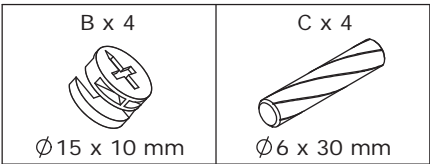


32

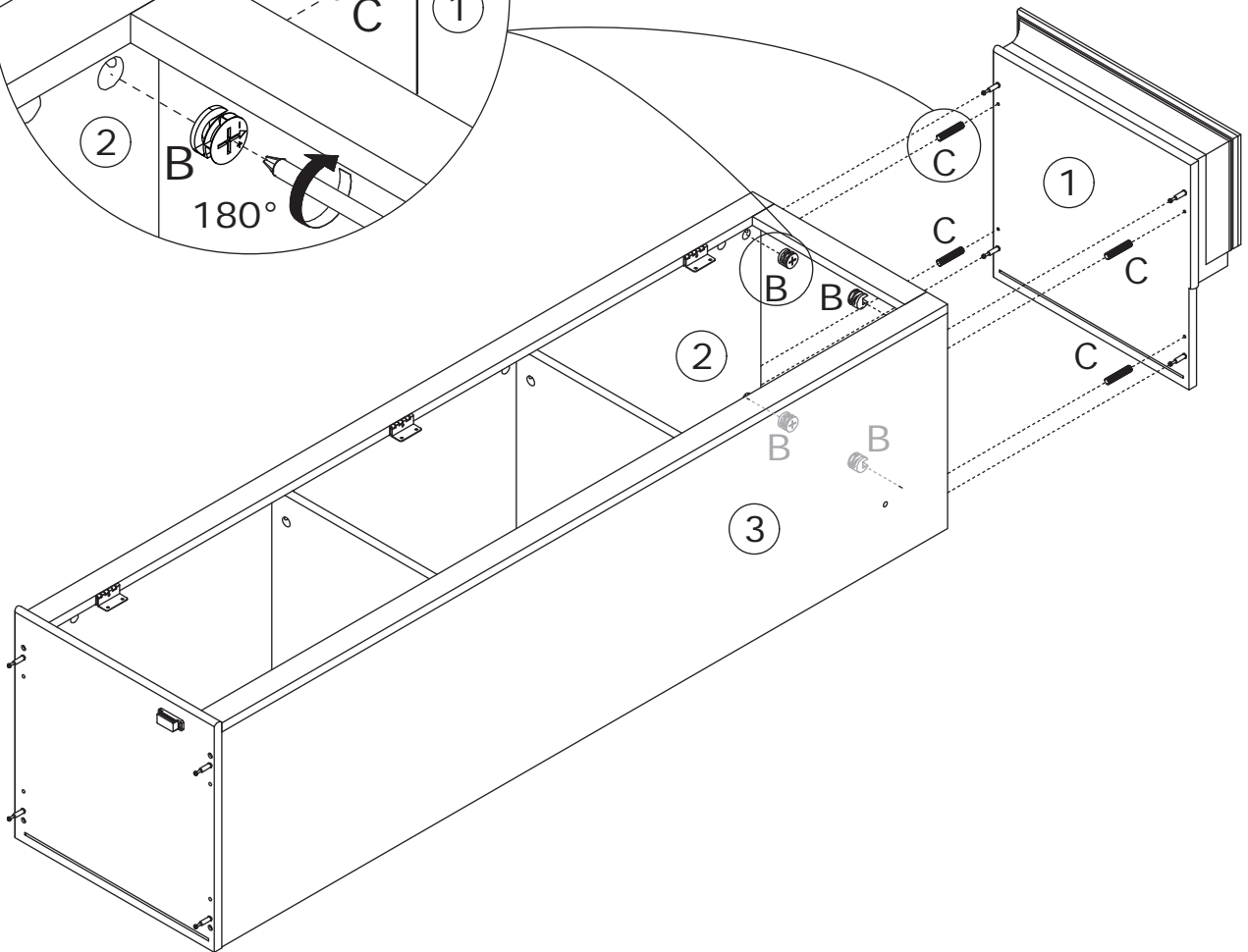
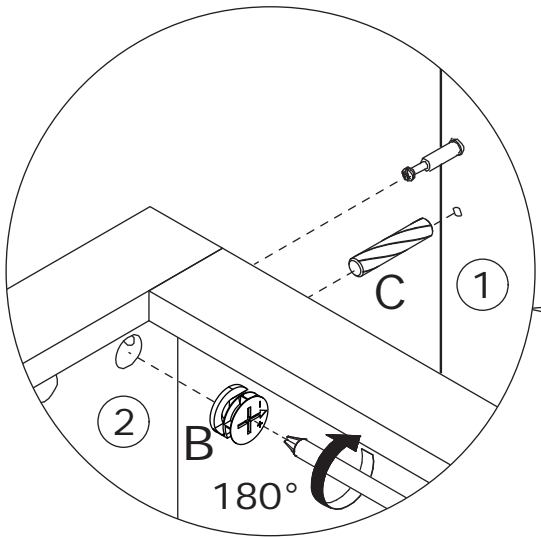
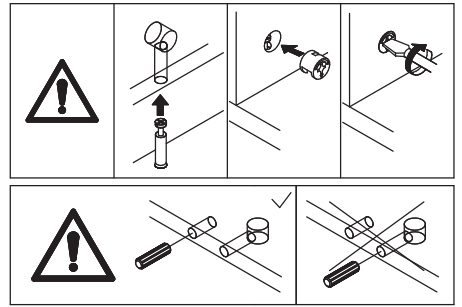
Insert part 19 along the available grooves.



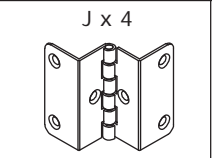
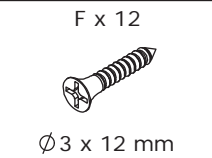
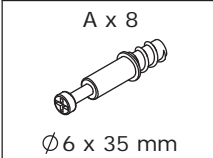
33



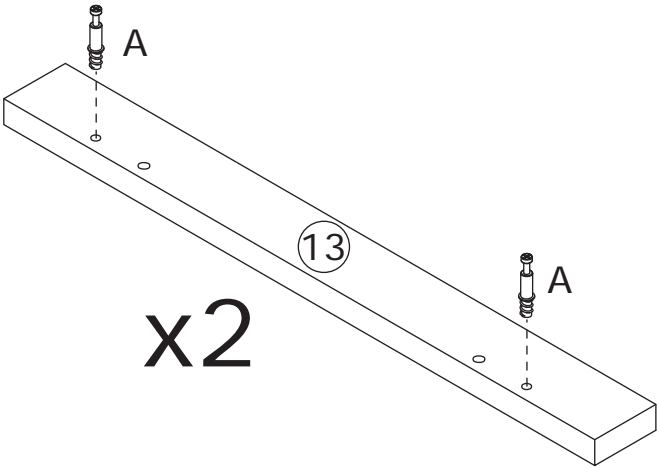
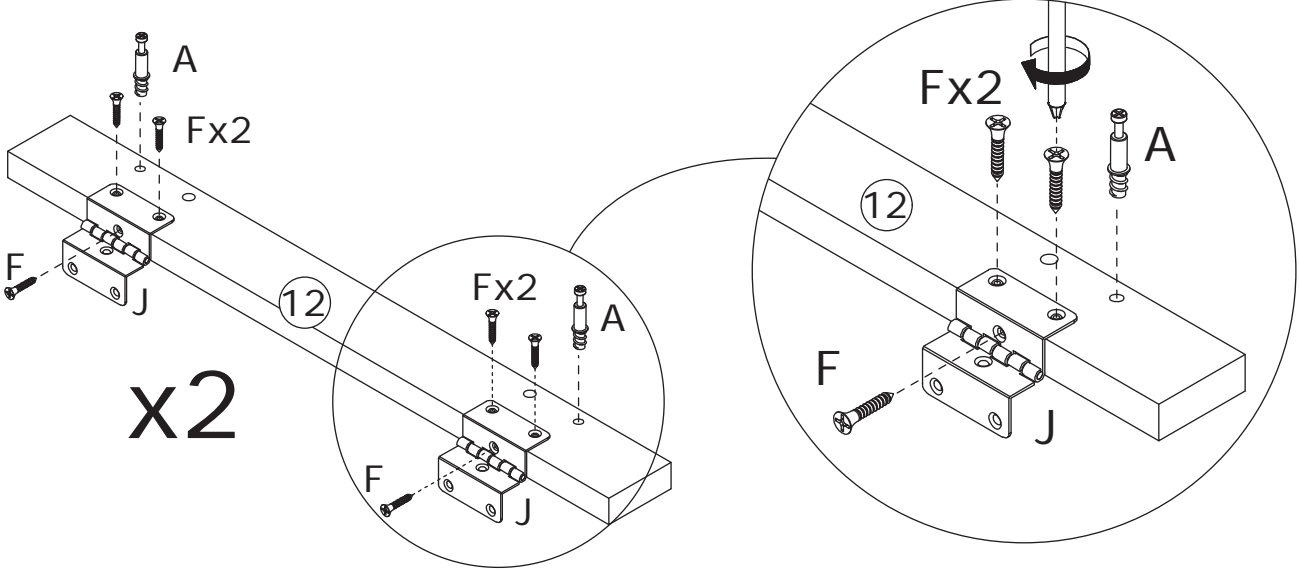
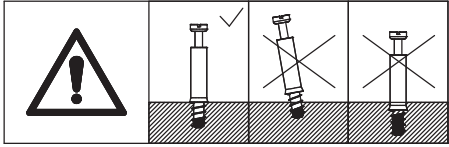
Connect part 1 to part 2 and 3 using wooden dowel (C), then tighten by turning cam lock (B) clockwise as shown.



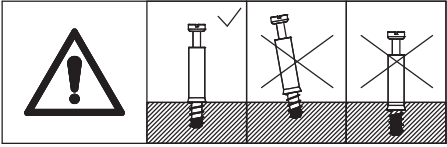
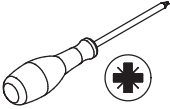
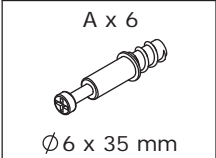
34



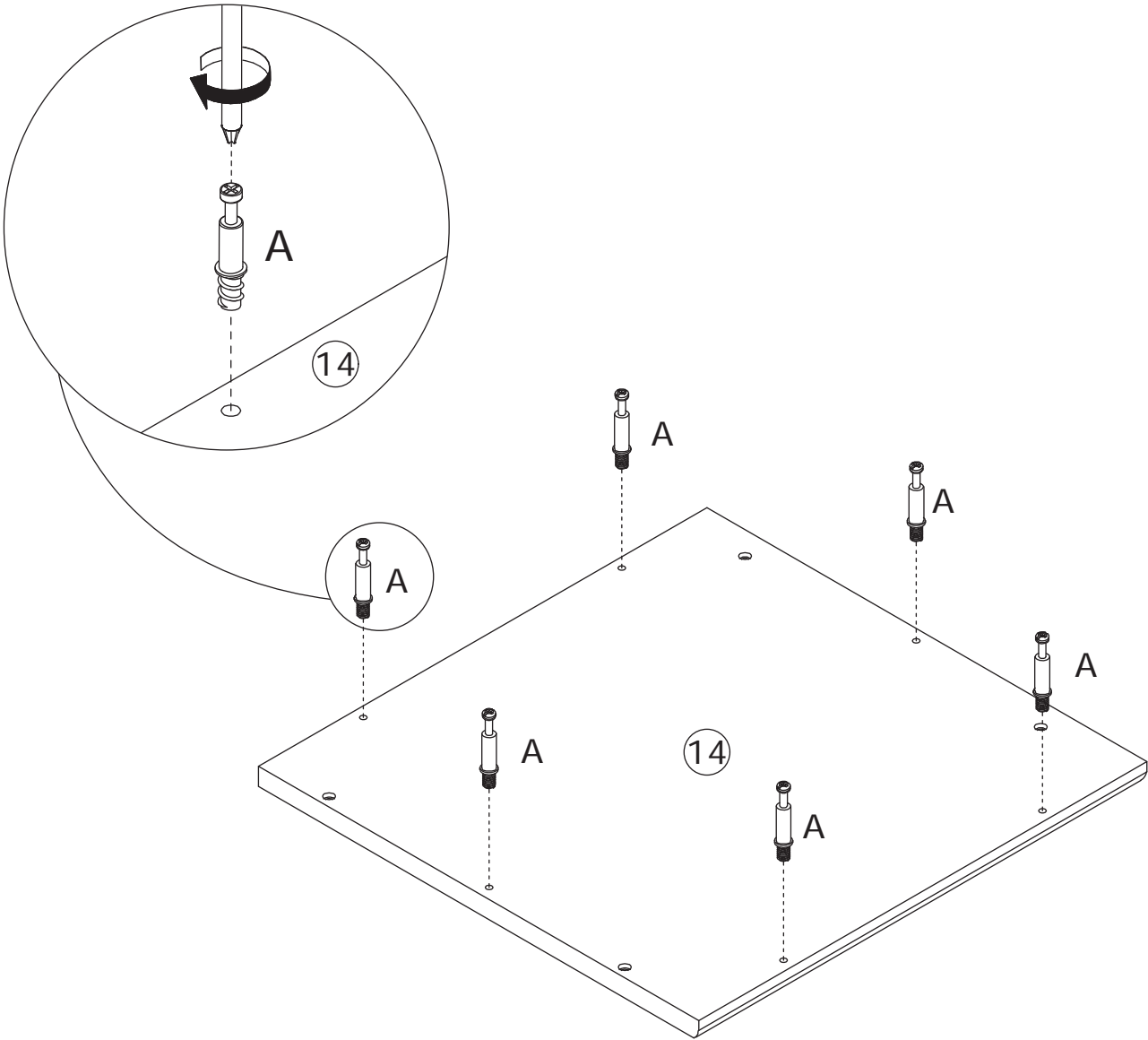
Screw eccentric rod (A) onto part 12 and 13.  
Secure hinge (J) to part 12 using screw (F)  
as shown.



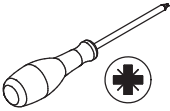
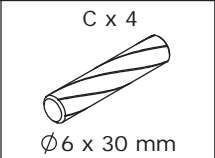
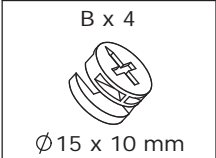
35



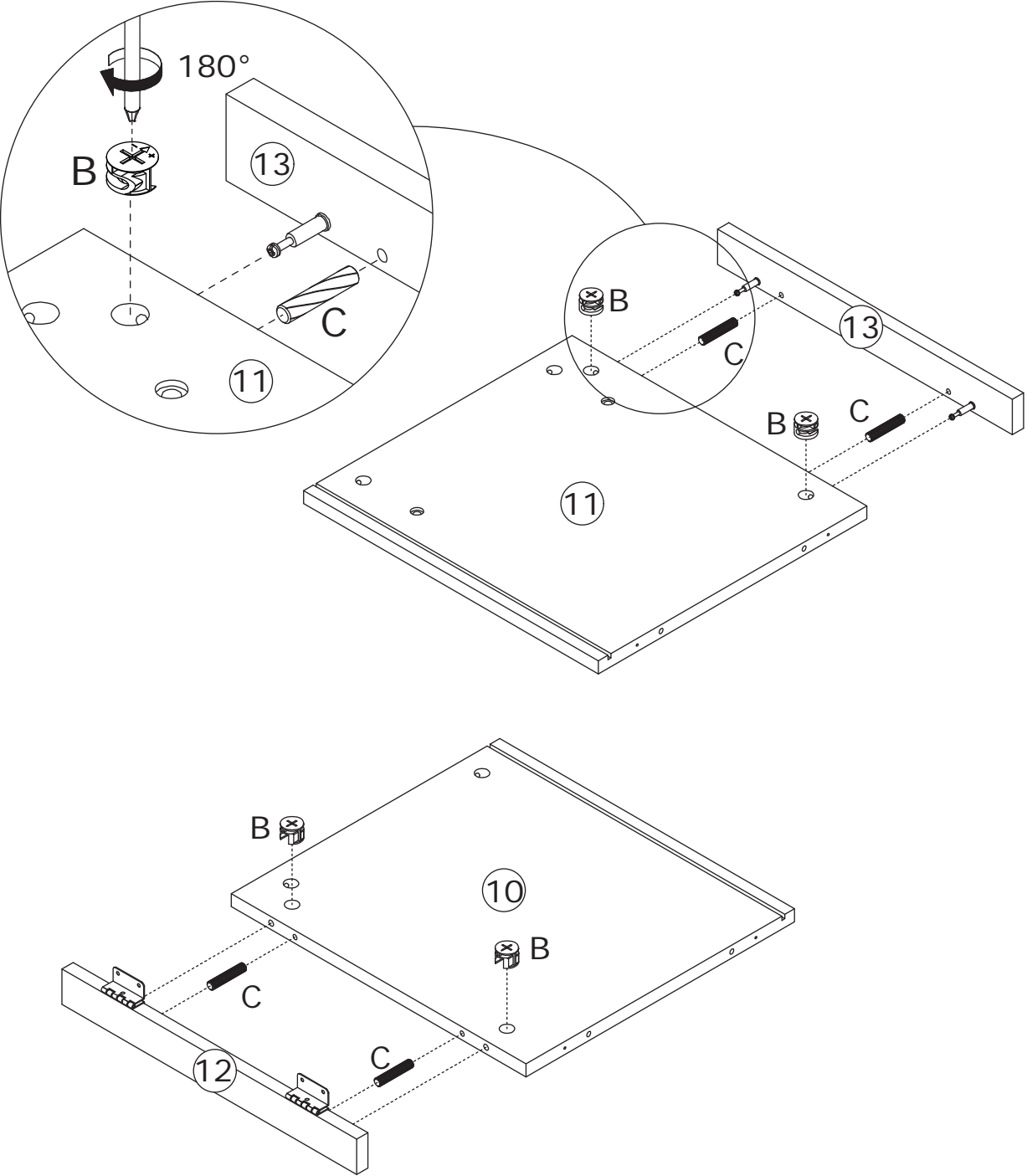
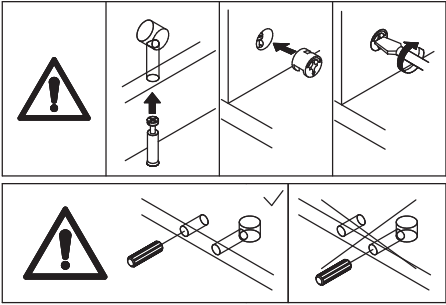
Screw eccentric rod (A) onto part 14.



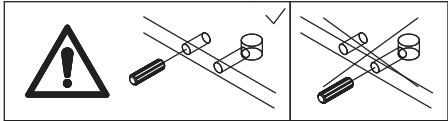
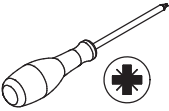
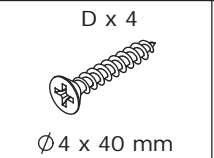
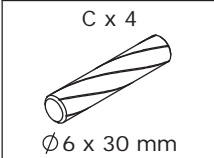
# 36



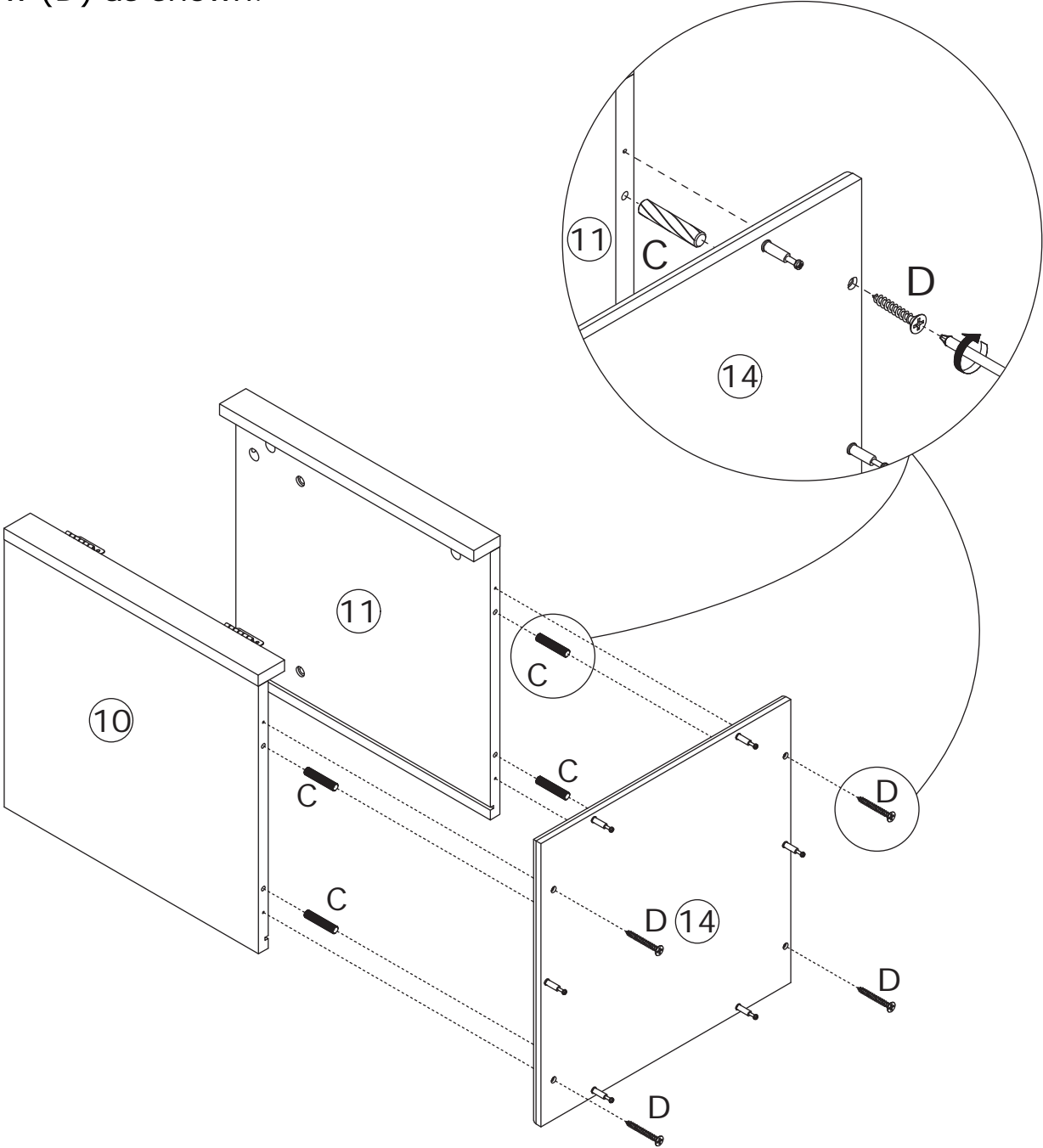
Connect part 12 and 13 to part 10 and 11 respectively using wooden dowel (C), then tighten by turning cam lock (B) clockwise as shown.



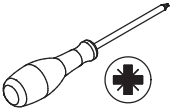
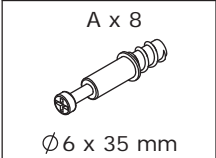
37



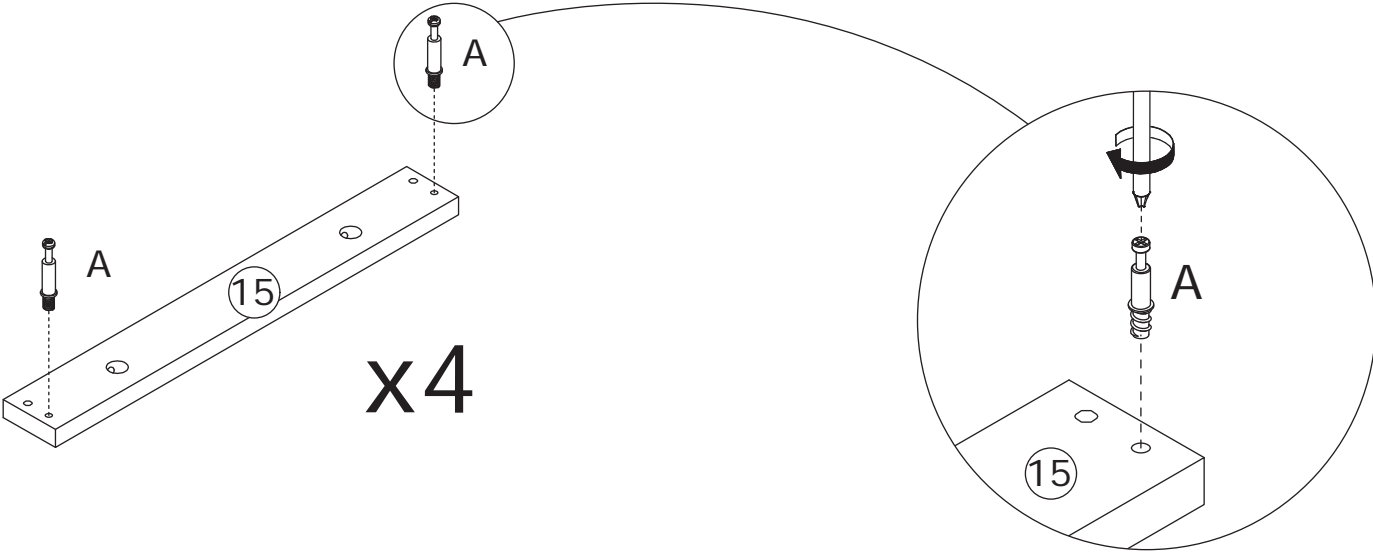
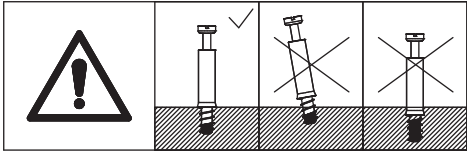
Connect part 14 to part 10 and 11 using dowel (C), and secure using screw (D) as shown.



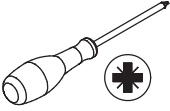
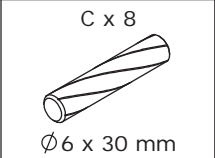
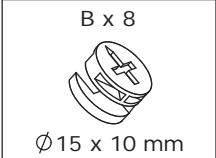
38



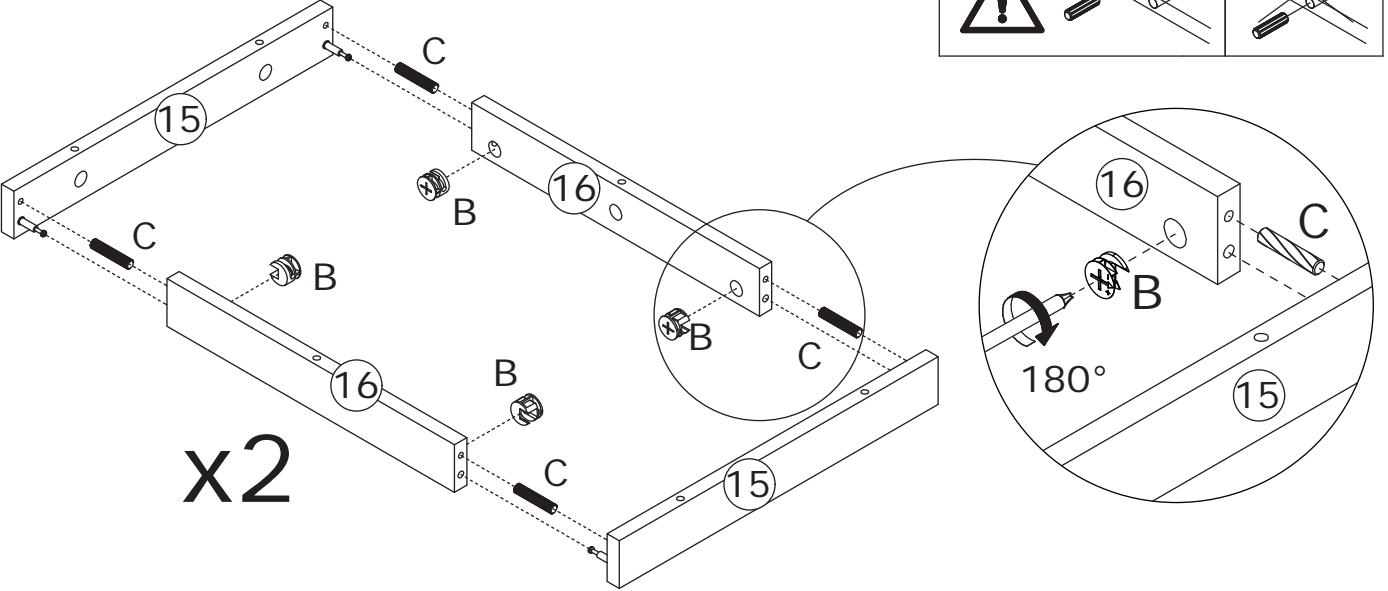
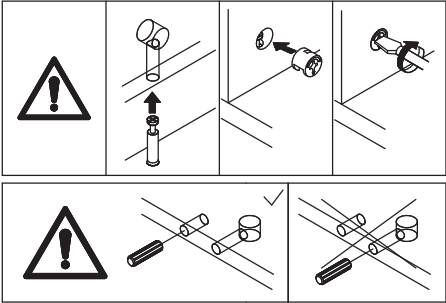
Screw eccentric rod (A) onto part 15.



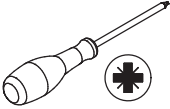
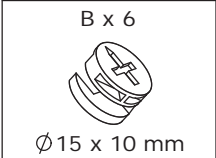
39



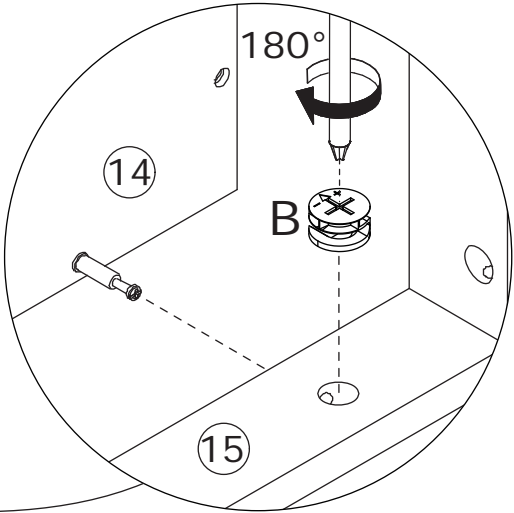
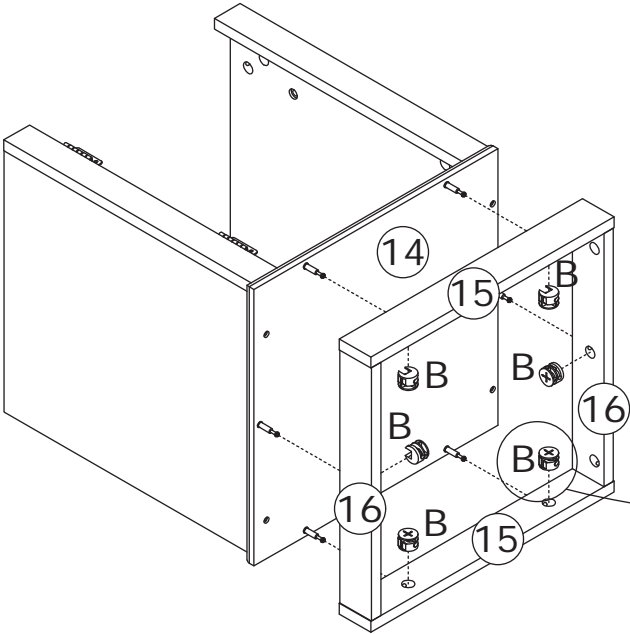
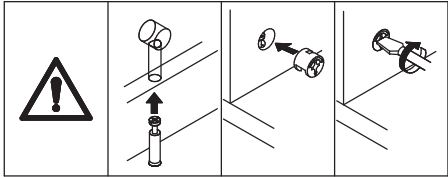
Connect part 16 to part 15 using wooden dowel (C), then tighten by turning cam lock (B) clockwise as shown.



40



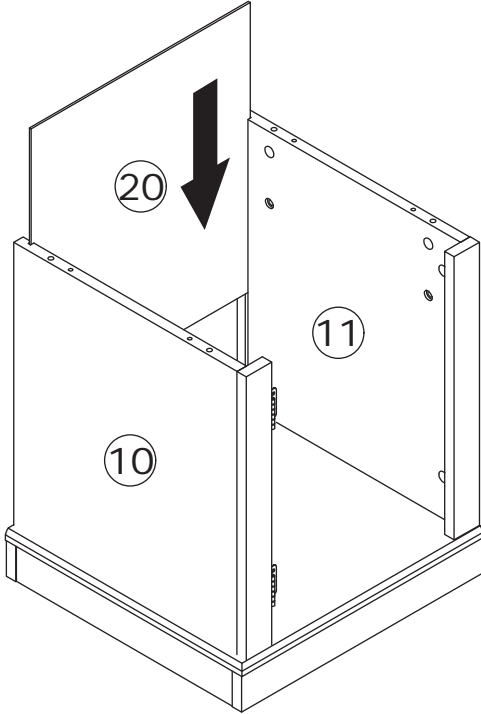
Connect part 15 and 16 to part 14, then tighten by turning cam lock (B) clockwise as shown.



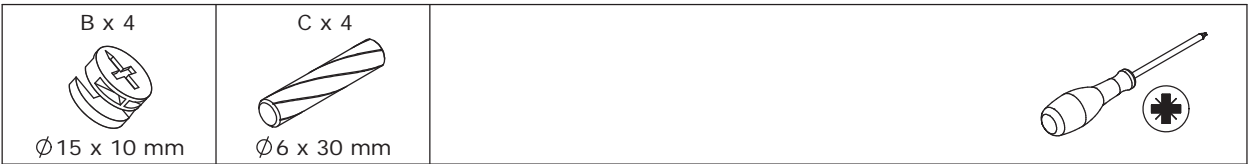
41



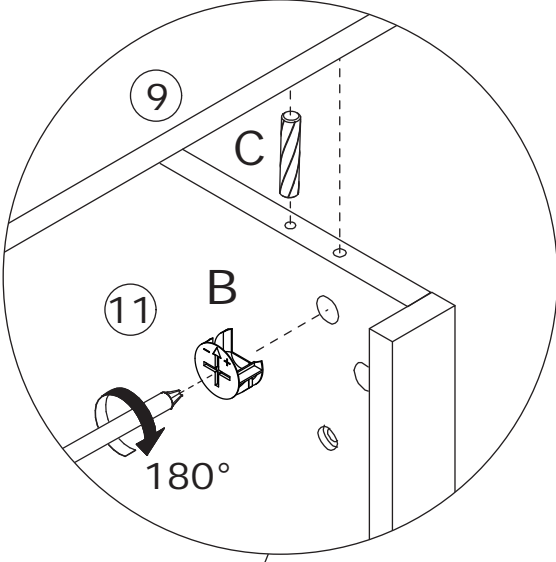
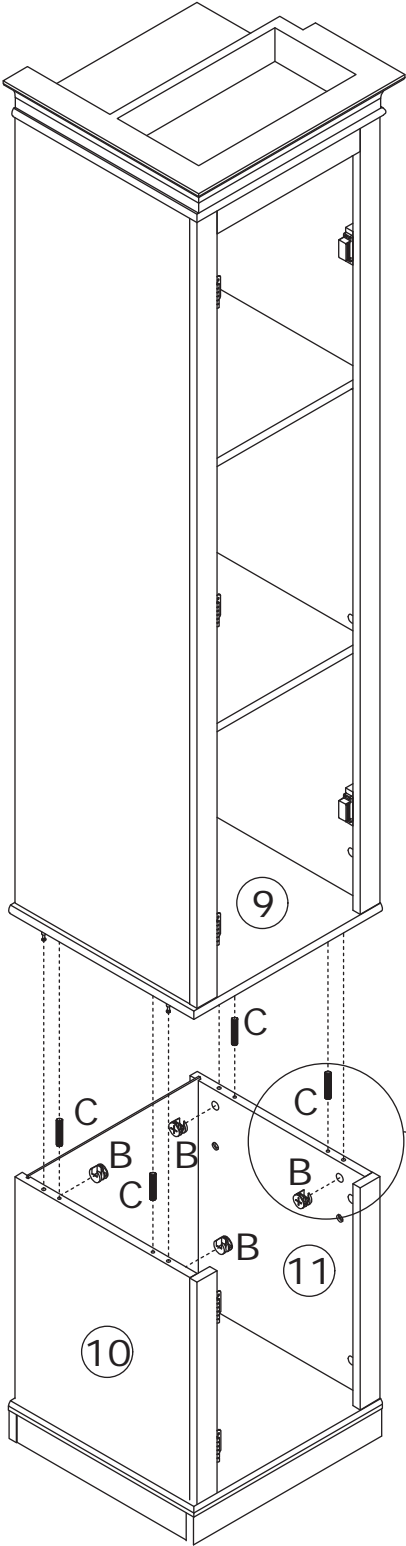
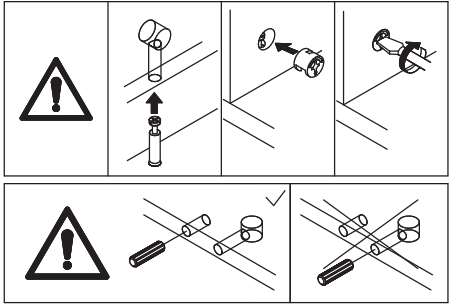
Insert part 20 along the available grooves.




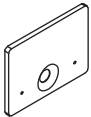


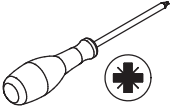
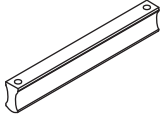
42



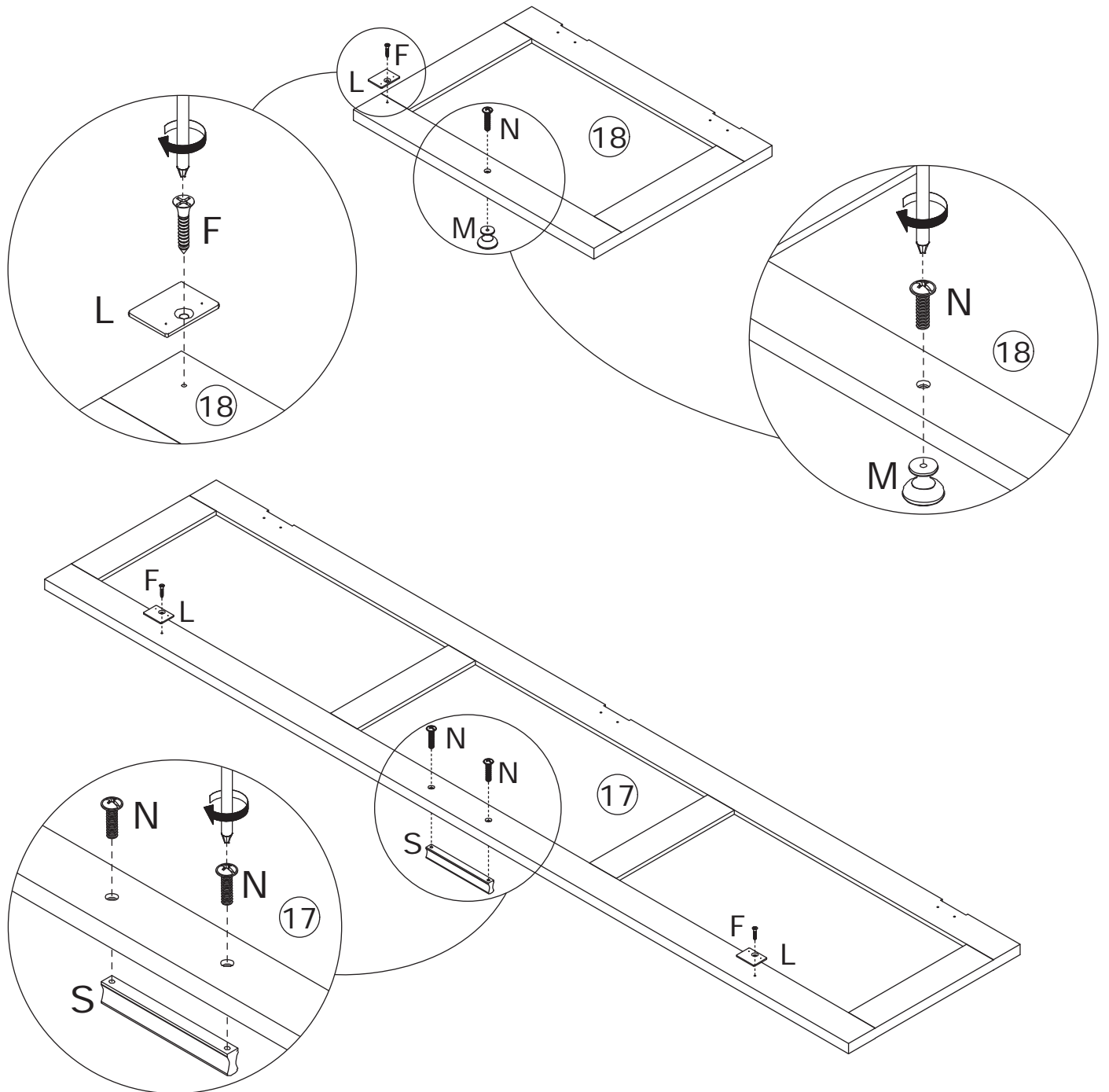
Connect part 9 to part 10 and 11 using wooden dowel (C), then tighten by turning cam lock (B) clockwise as shown.



43

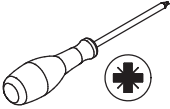
<p>F x 3</p>  <p>Ø3 x 12 mm</p>	<p>L x 3</p> 	<p>M x 1</p> 	<p>N x 3</p>  <p>Ø4 x 14 mm</p>	
<p>S x 1</p> 				

Secure iron plate (L) to part 17 and 18 using screw (F).  
Secure knob (M) to part 18 using screw (N).  
Secure handle (S) to part 17 using screw (N).

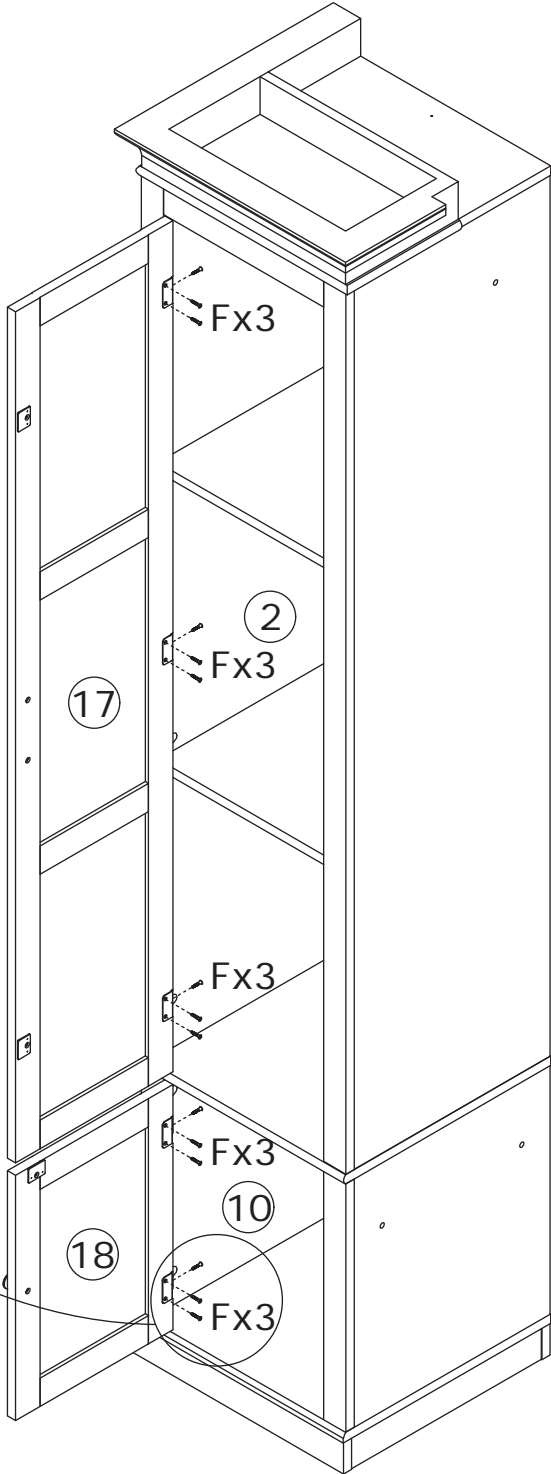
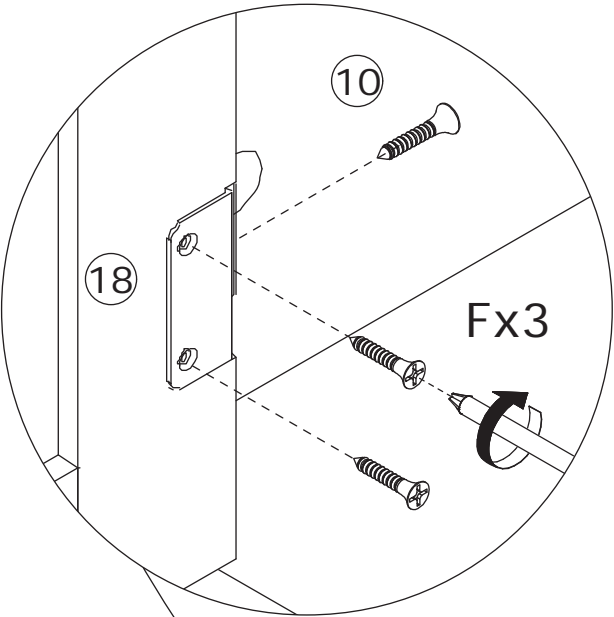


44

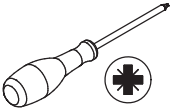
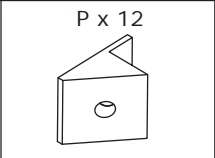
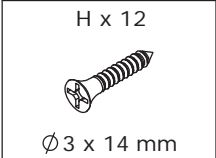
F x 15  
Ø3 x 12 mm



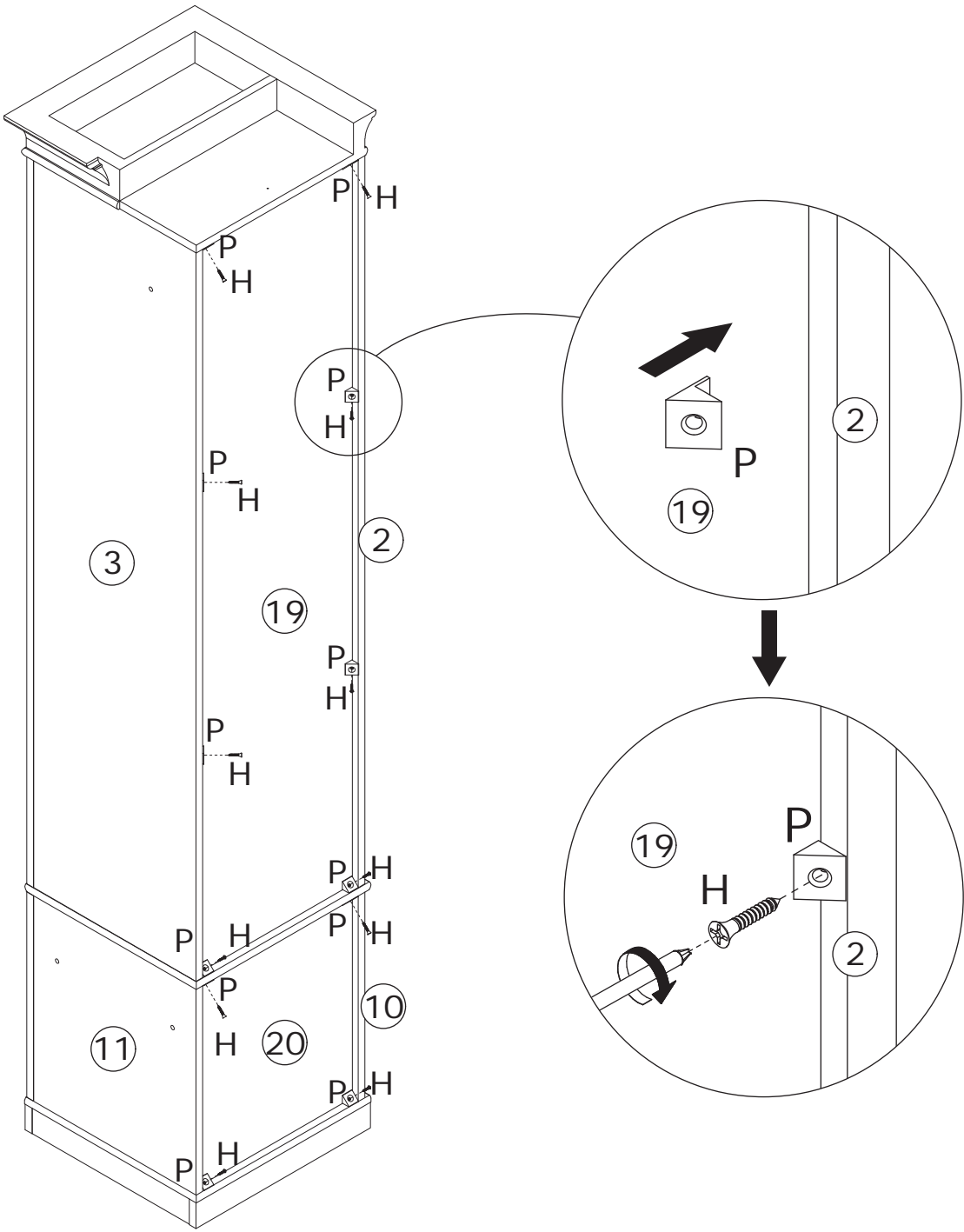
Secure part 17 and 18 to the unit by securing hinges using screw (F) as shown.



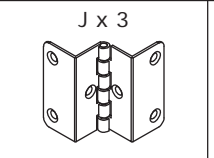
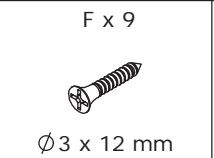
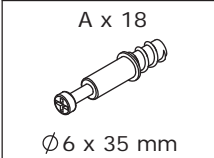
45



Insert clip (P) into the back slots and secure with screw (H) as shown.

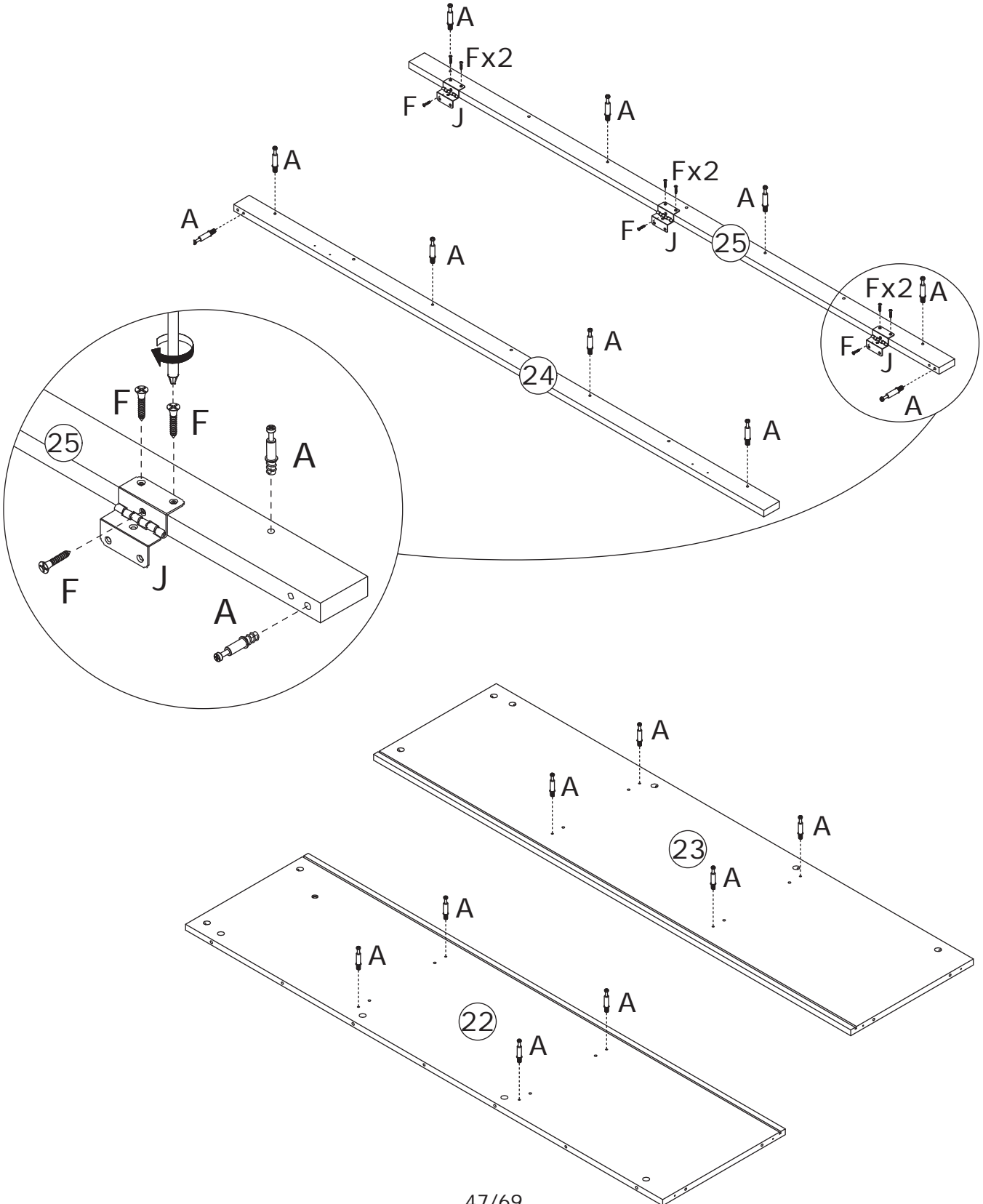
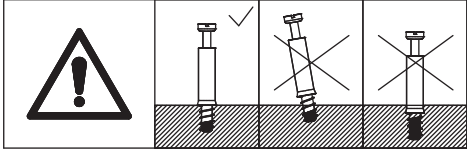


46

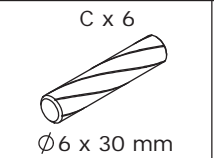
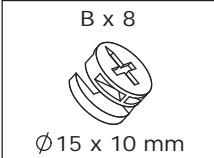


Screw eccentric rod (A) onto part 22, 23, 24, 25.

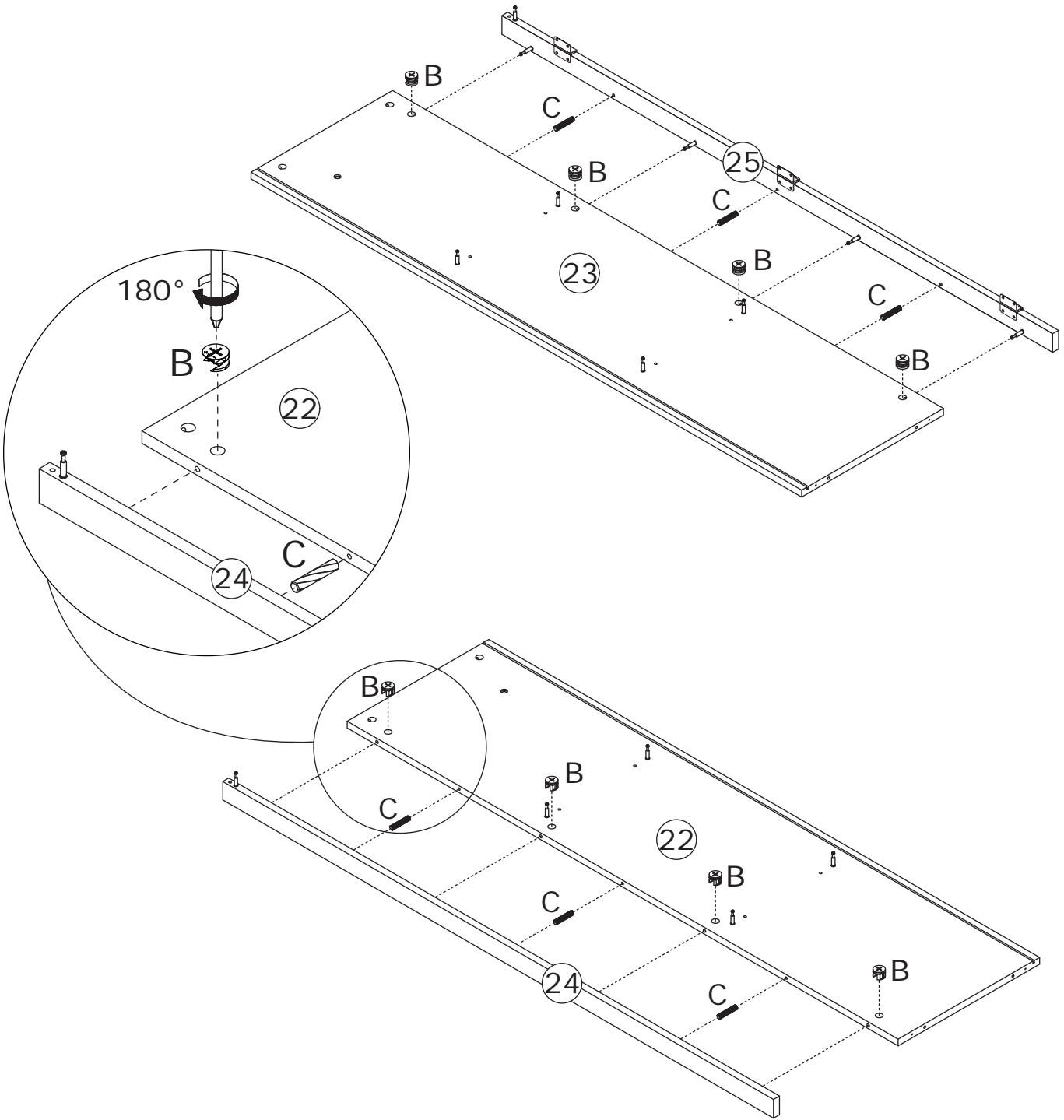
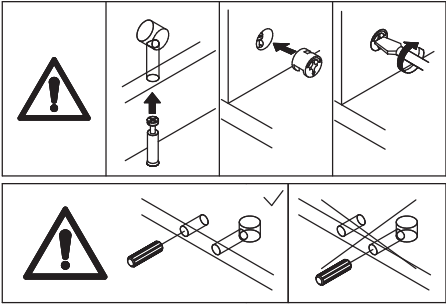
Secure hinge (J) to part 25 using screw (F) as shown.



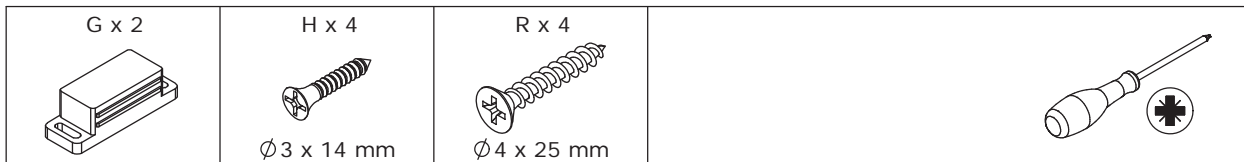
47



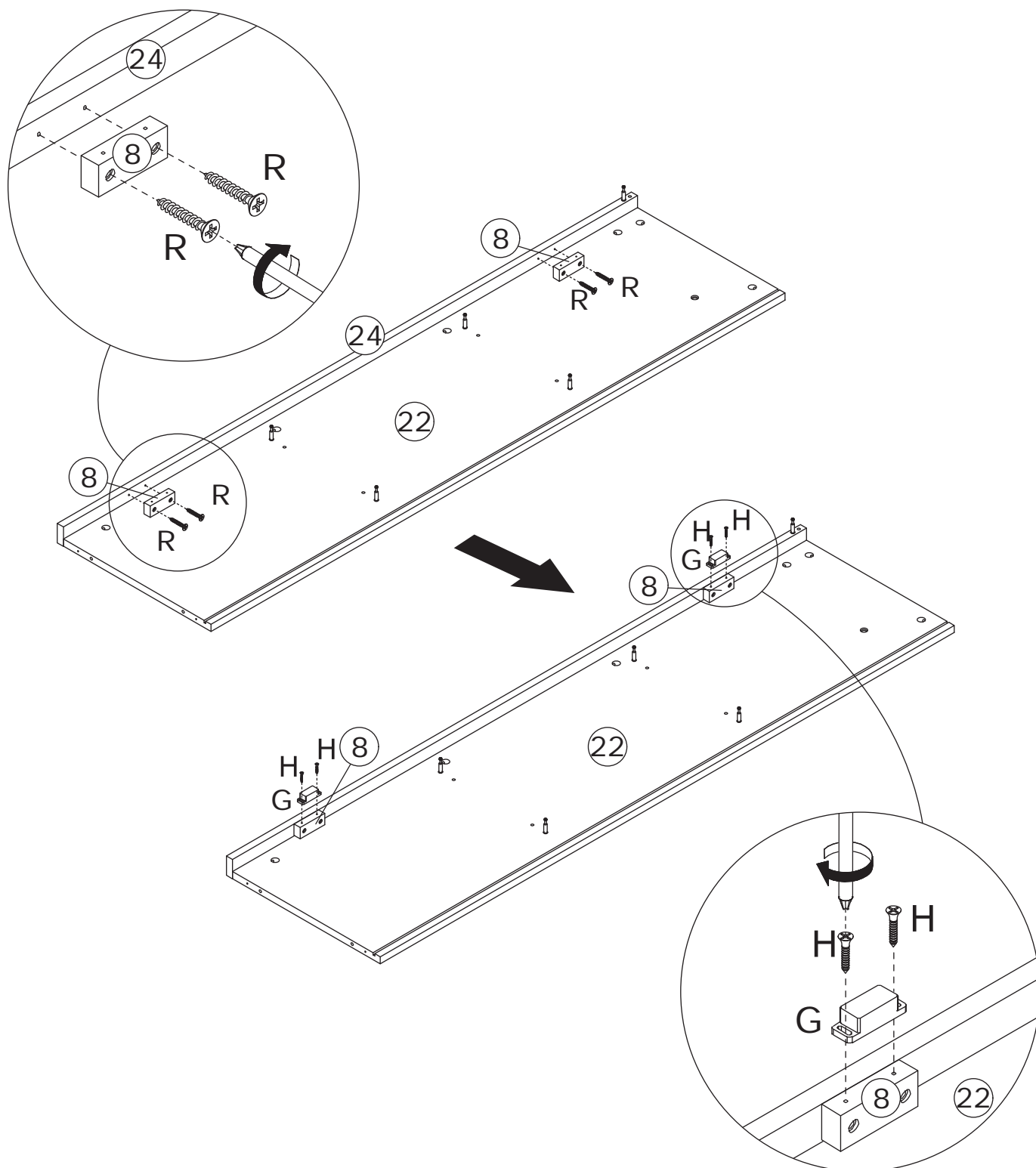
Connect part 24 to part 22, and part 25 to part 23 respectively using wooden dowel (C), then tighten by turning cam lock (B) clockwise as shown.



48



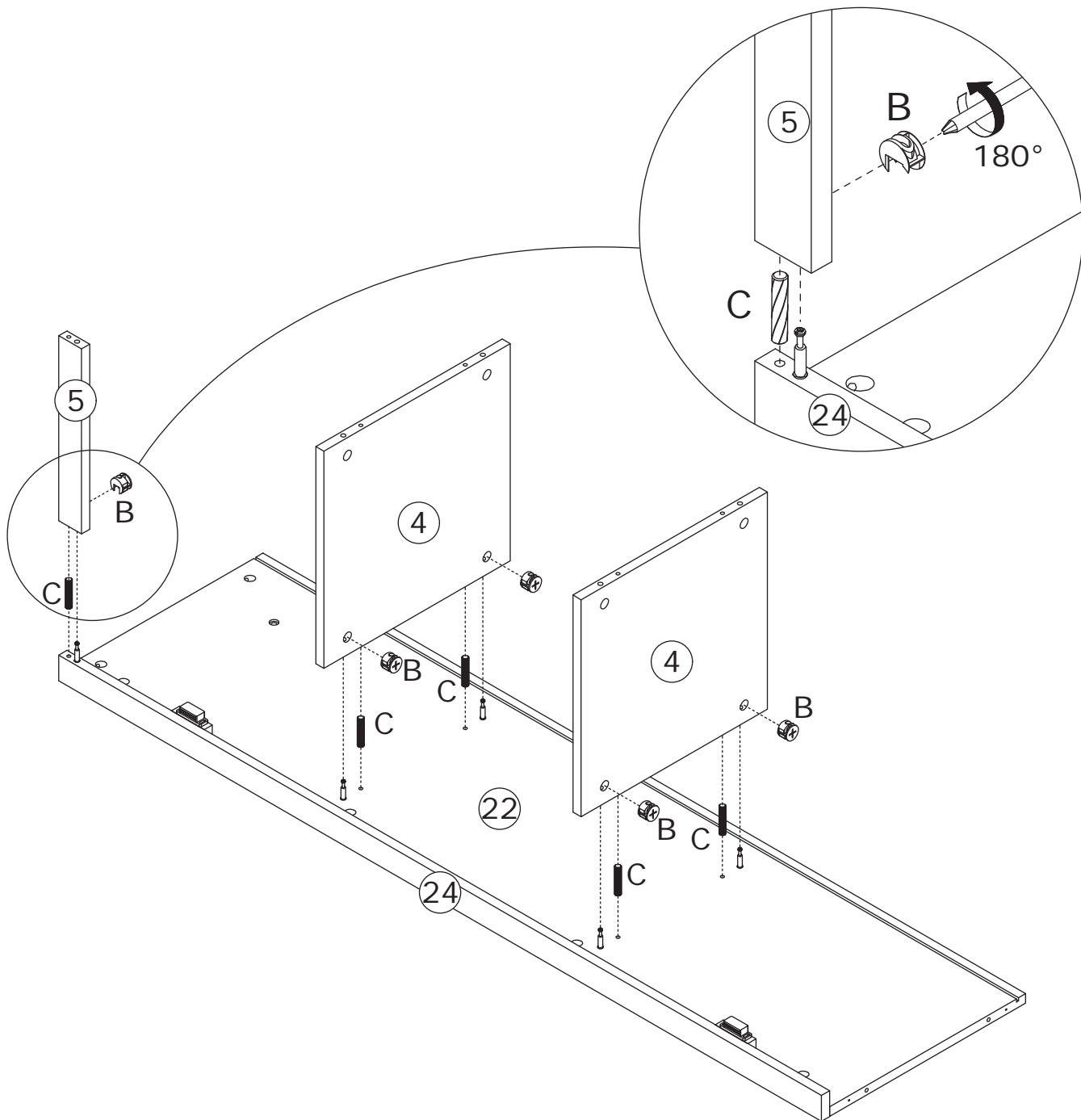
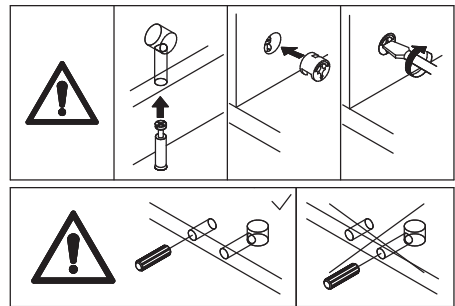
Secure part 8 to part 24 using screw (R), then secure magnet (G) to part 8 using screw (H) as shown.



49



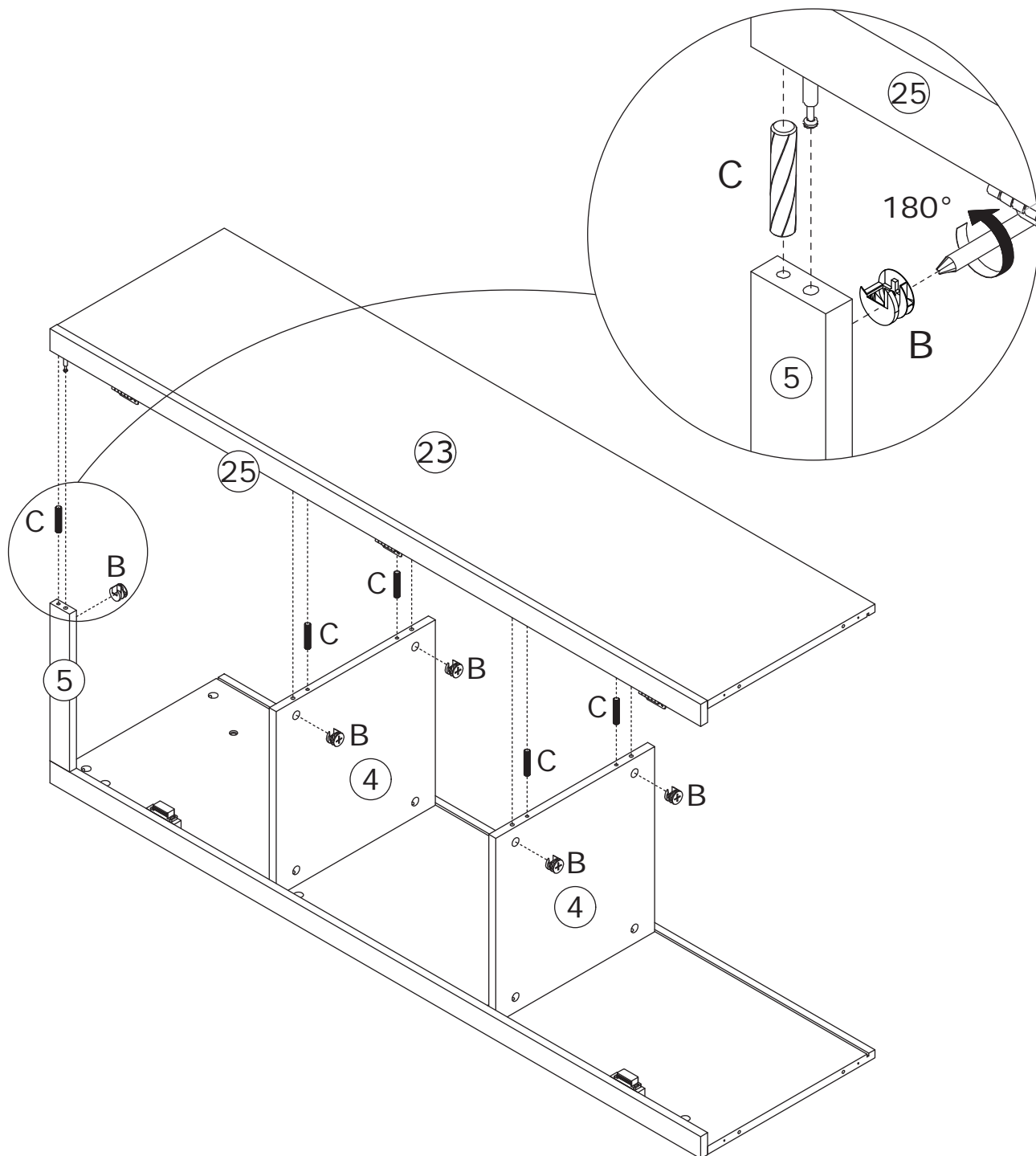
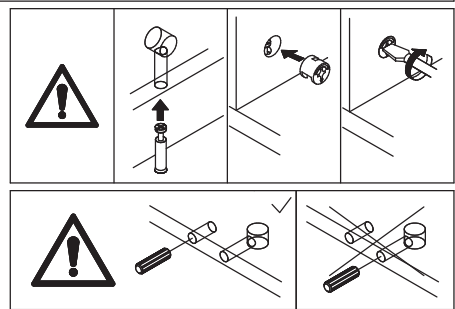
Connect part 4 and 5 to part 22 and 24 using wooden dowel (C), then tighten by turning cam lock (B) clockwise as shown.



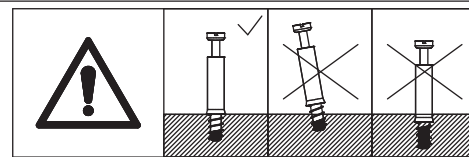
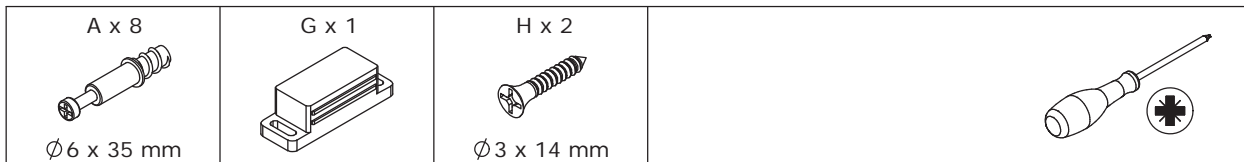
50



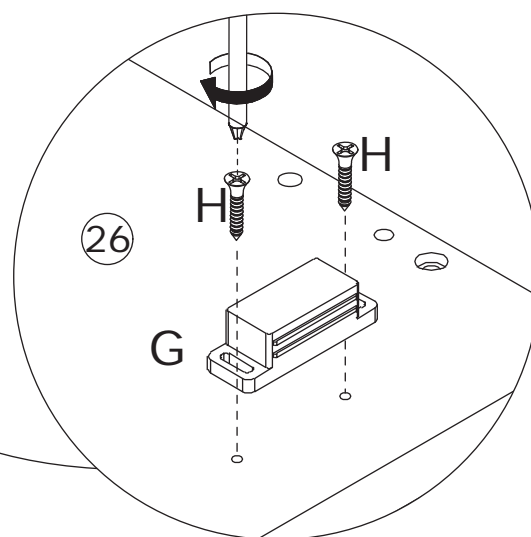
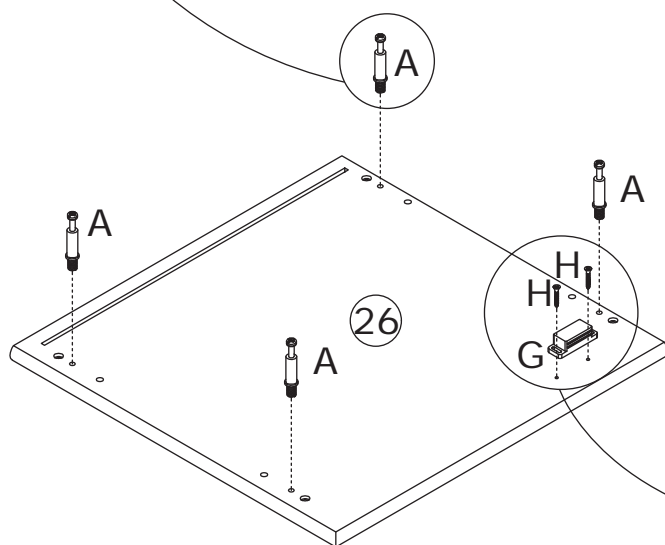
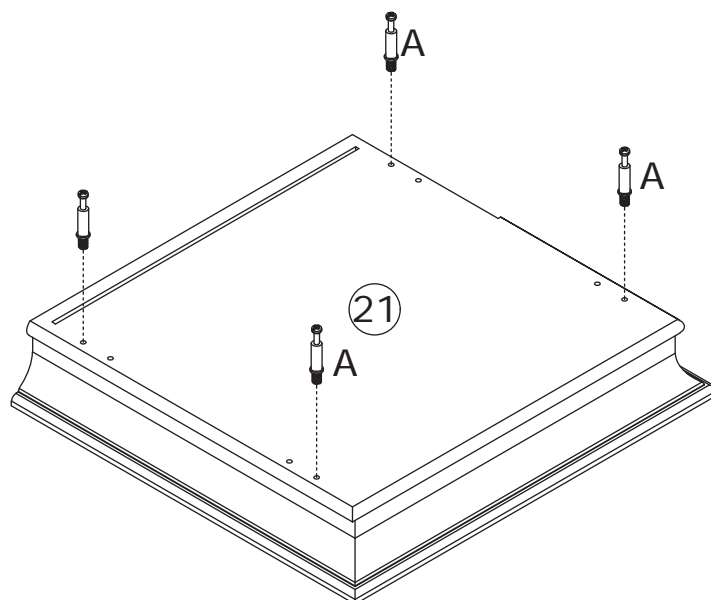
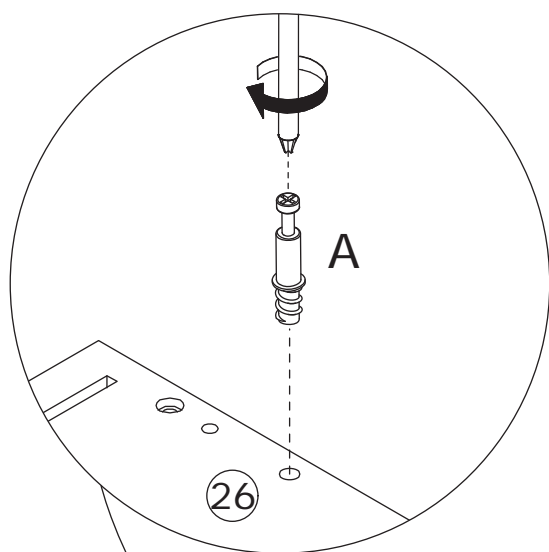
Connect part 23 and 25 to part 4 and 5 using wooden dowel (C), then tighten by turning cam lock (B) clockwise as shown.



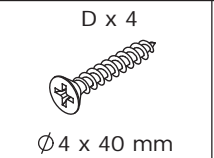
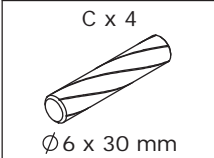
51



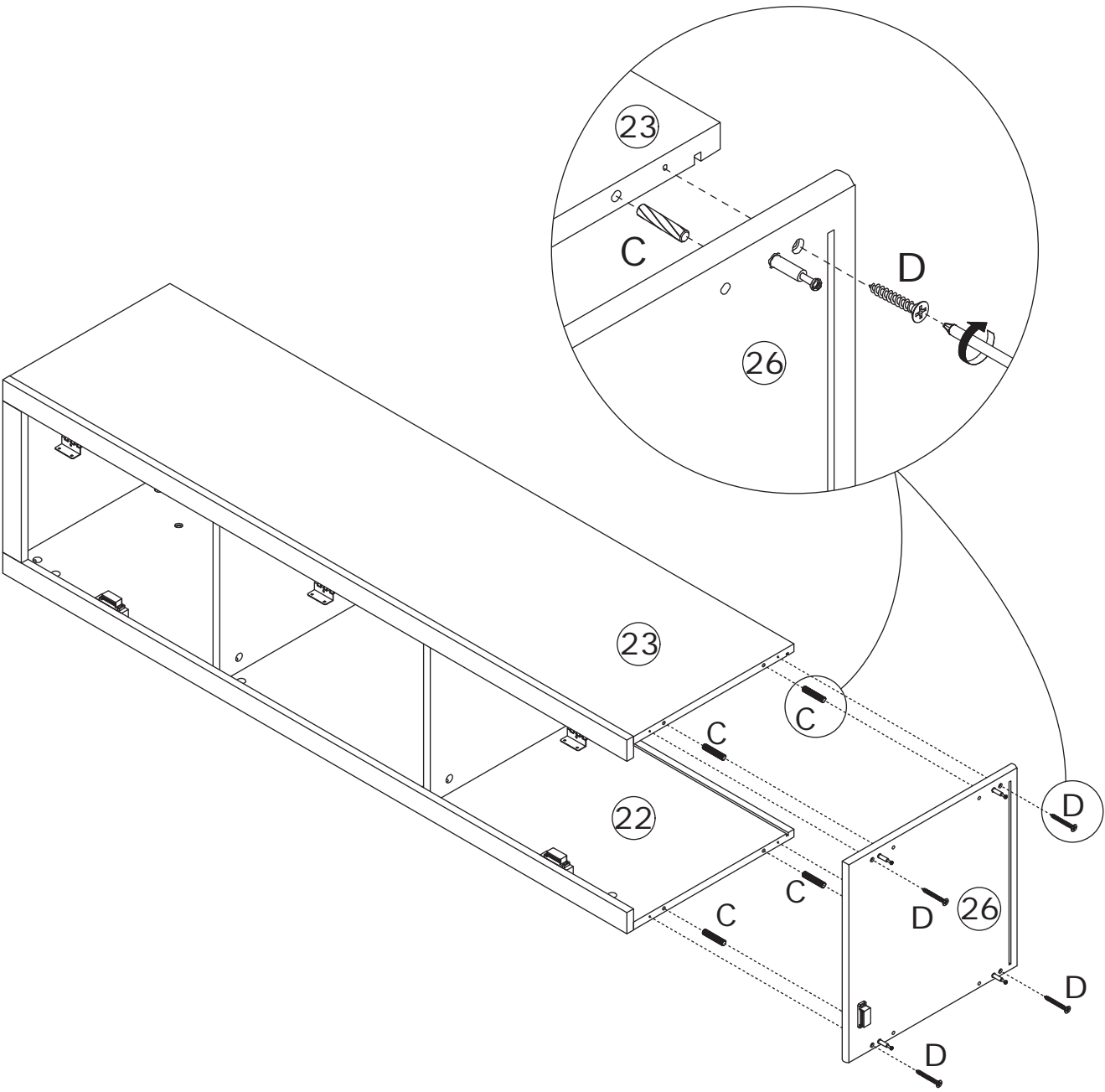
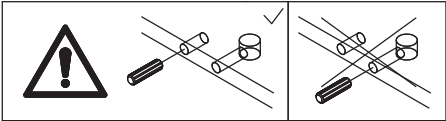
Screw eccentric rod (A) onto part 21 and 26.  
Then secure magnet (G) to part 26 using screw (H) as shown.



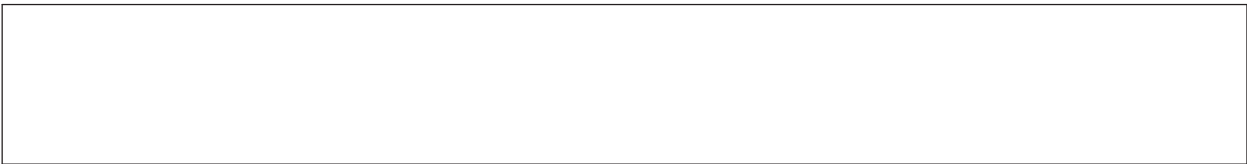
52



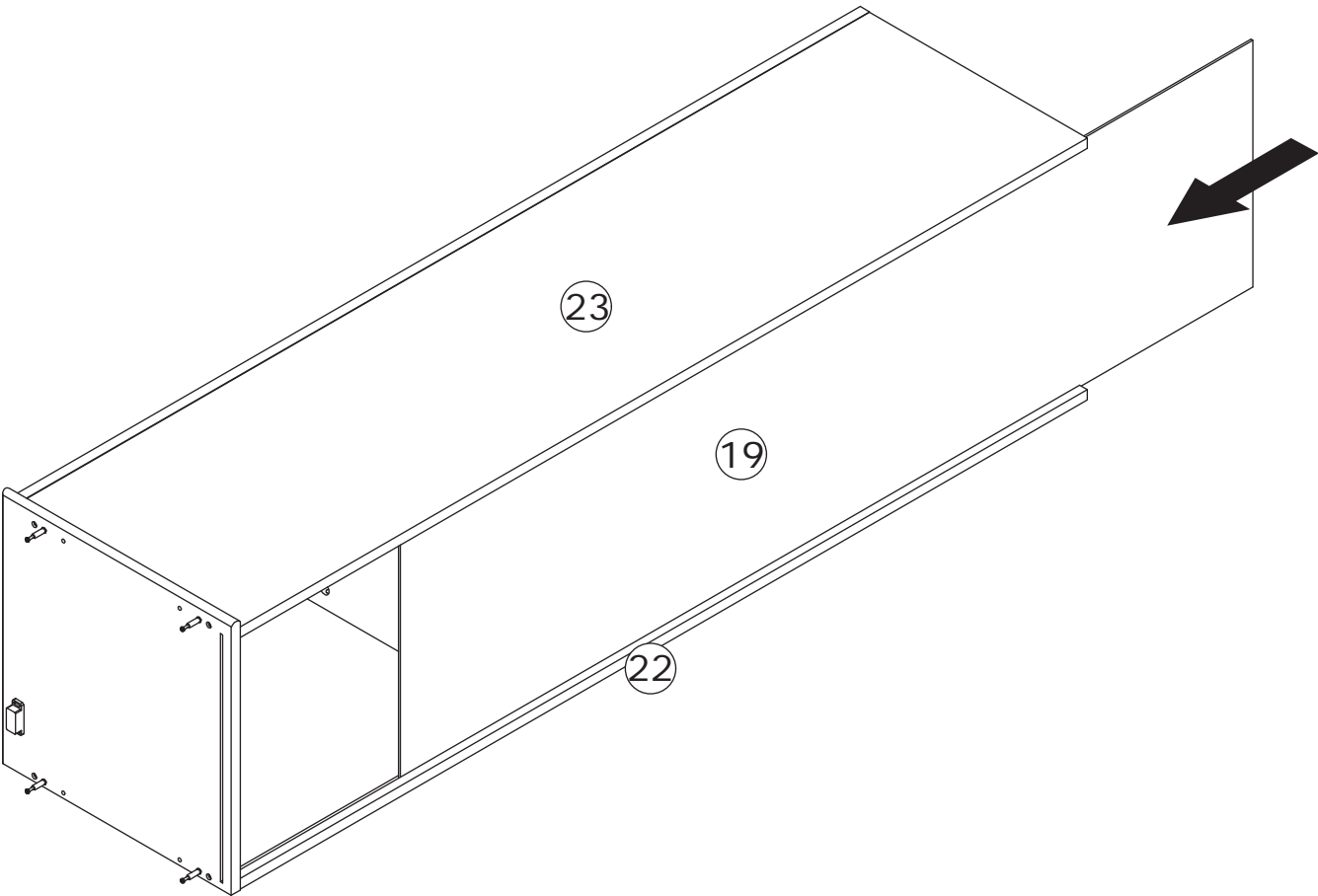
Connect part 26 to part 22 and 23 using dowel (C), and secure with screw (D) as shown.



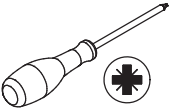
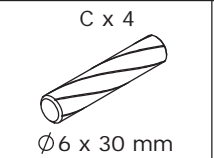
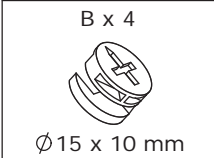
53



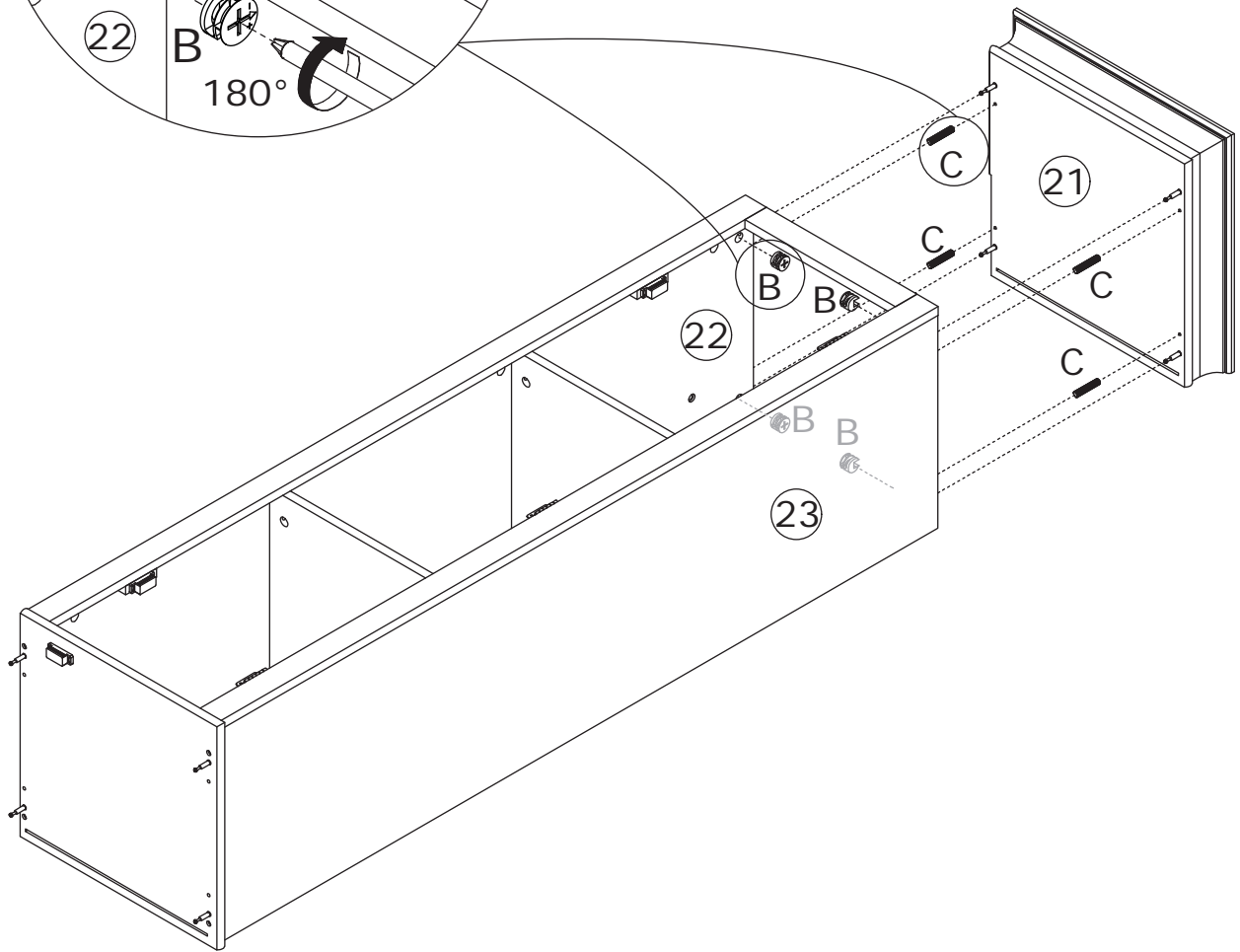
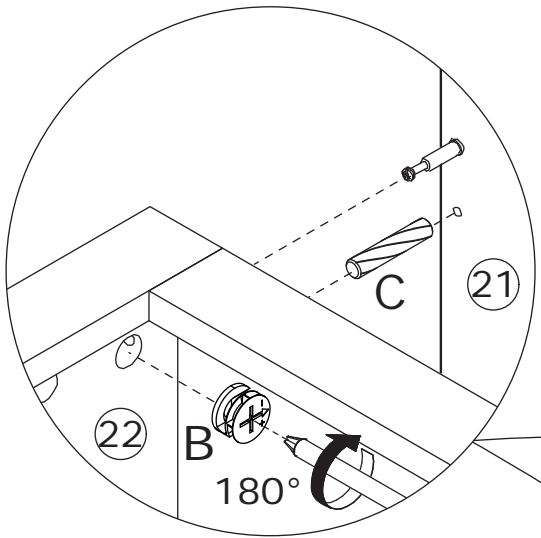
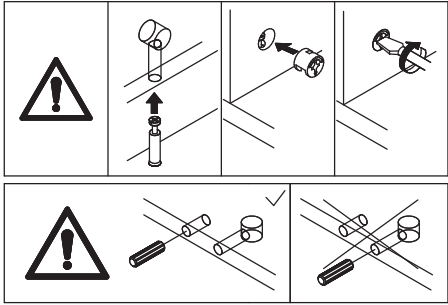
Insert part 19 along the available grooves.



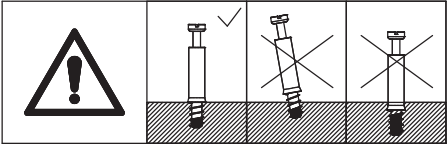
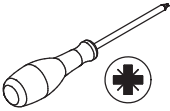
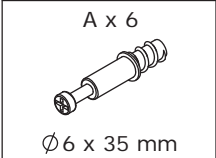
54



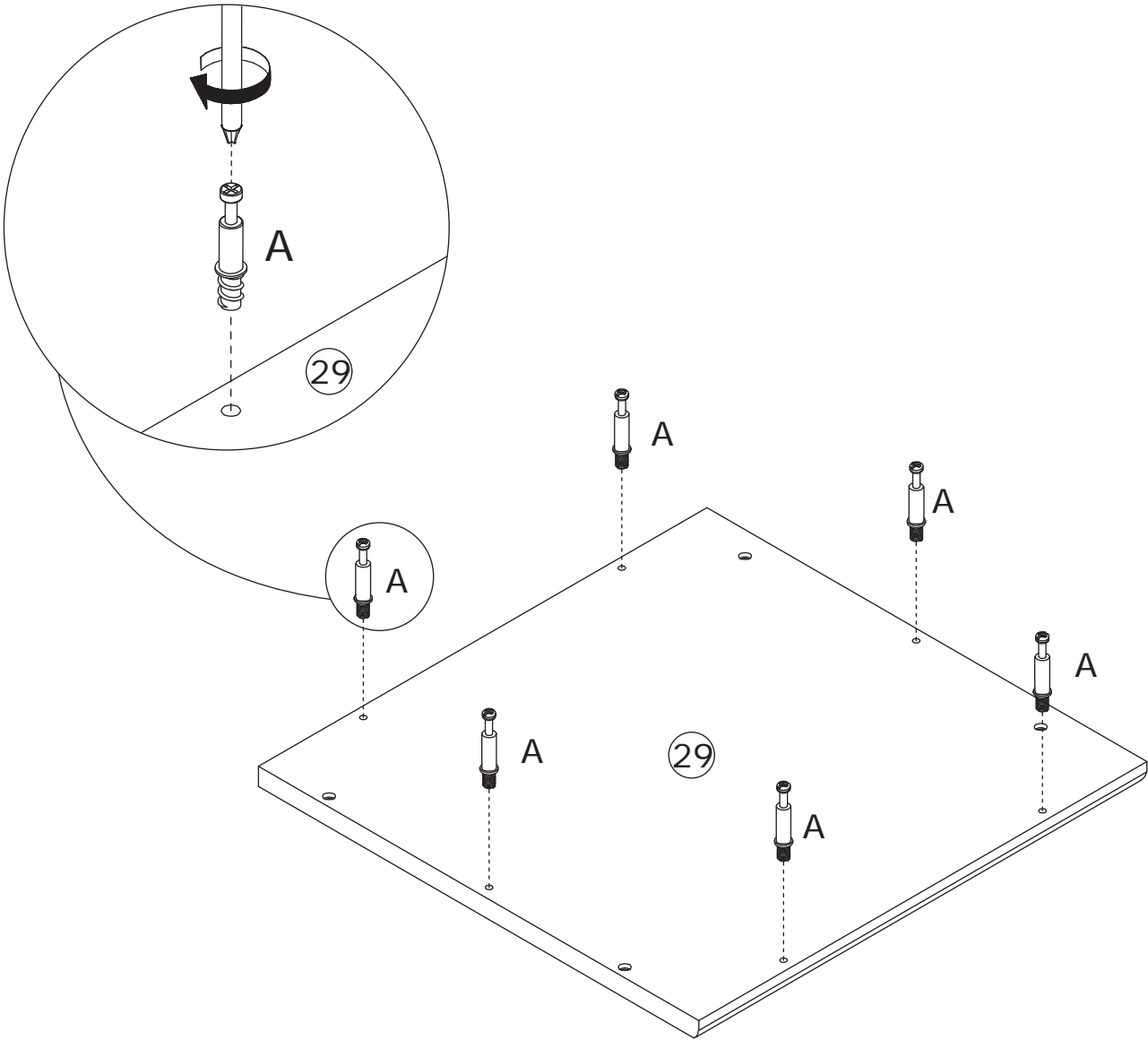
Connect part 21 to part 22 and 23 using wooden dowel (C), then tighten by turning cam lock (B) clockwise as shown.



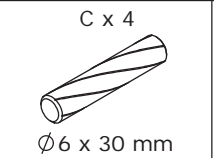
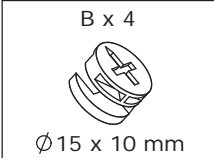
55



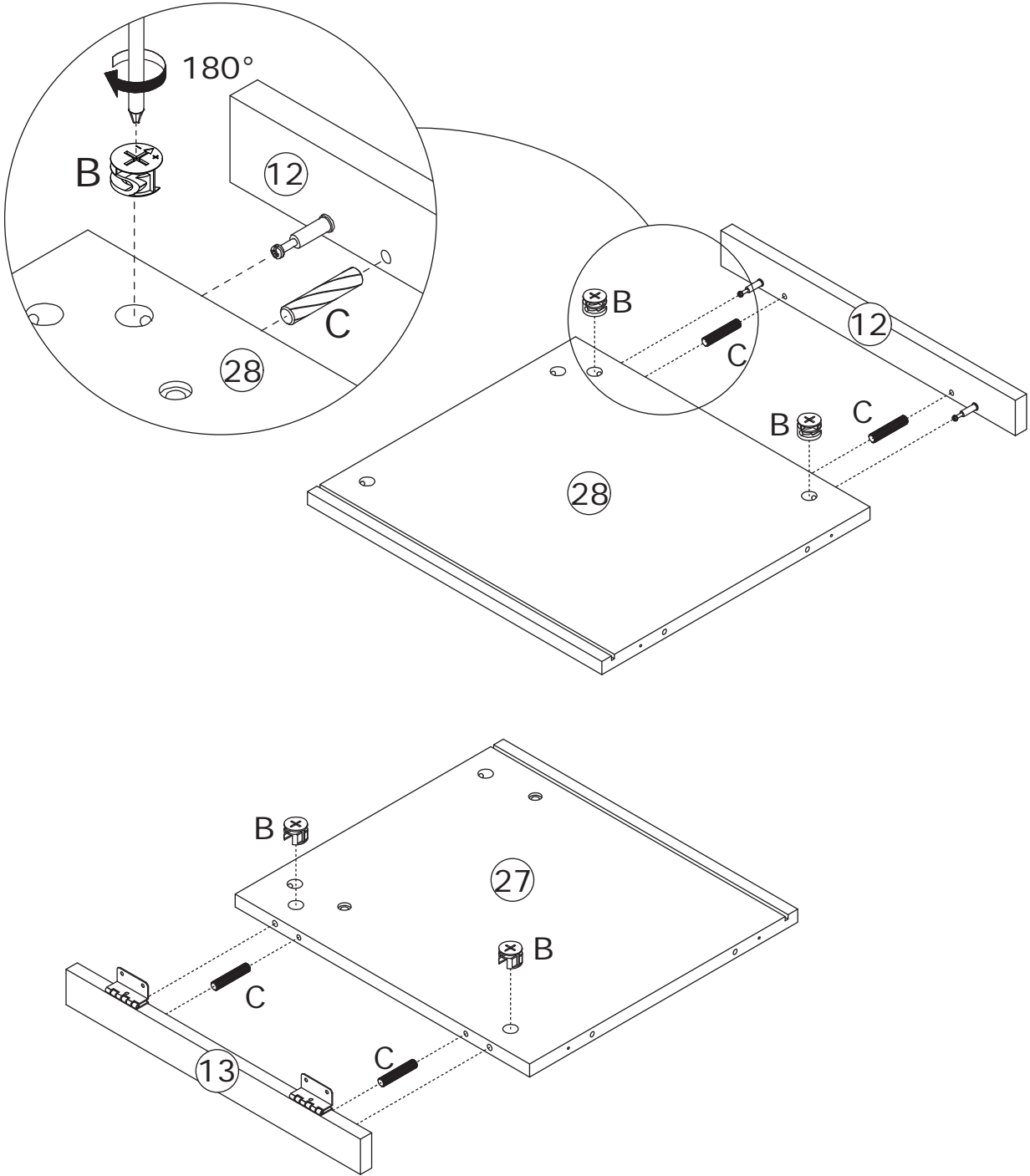
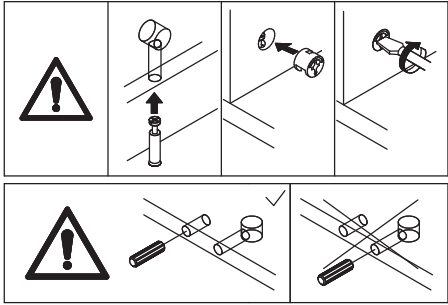
Screw eccentric rod (A) onto part 29.



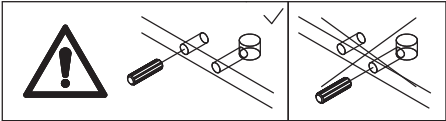
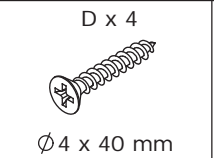
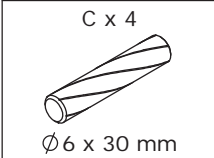
56



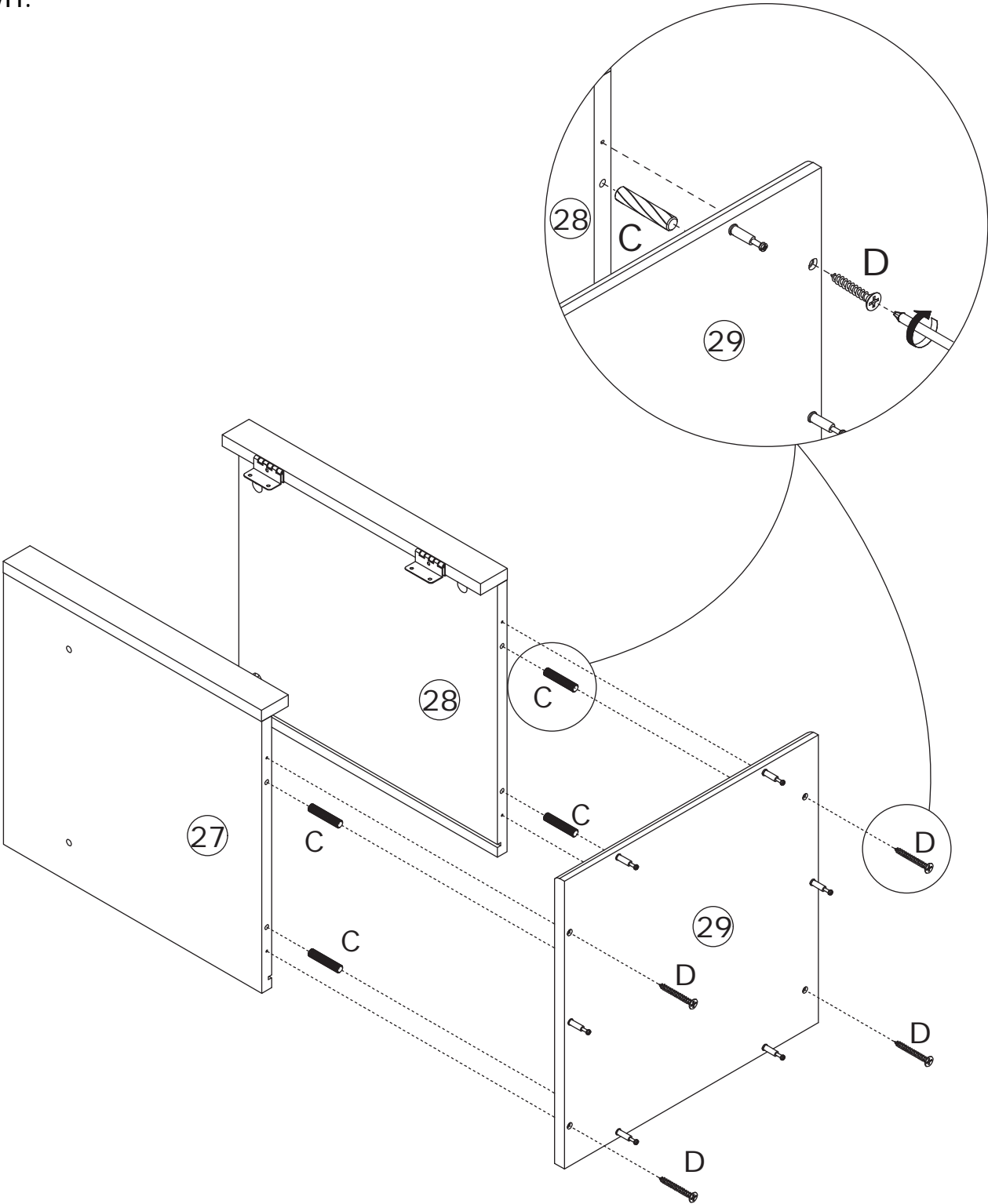
Connect part 12 and 13 to part 28 and 27 respectively using wooden dowel (C), then tighten by turning cam lock (B) clockwise as shown.



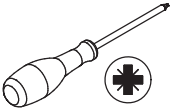
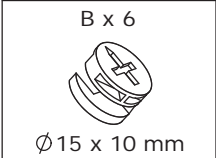
57



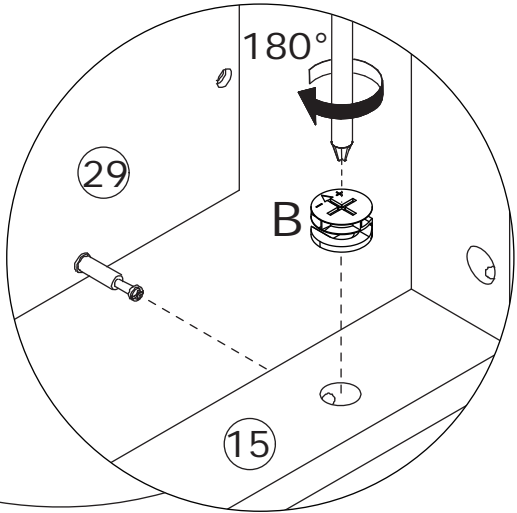
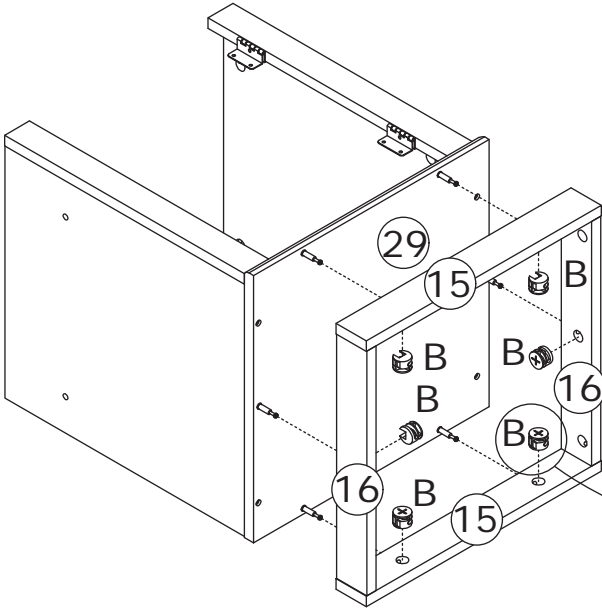
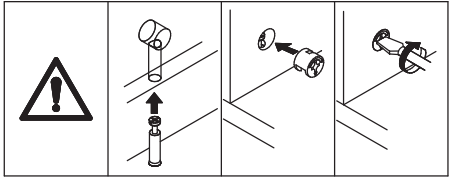
Connect part 29 to part 27 and 28 using dowel (C), and secure using screw (D) as shown.



58

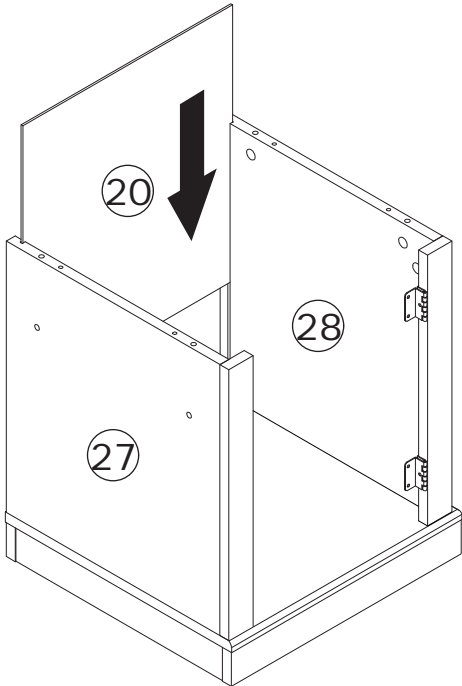


Connect part 15 and 16 to part 29, using wooden dowel (C), then tighten by turning cam lock (B) clockwise as shown.

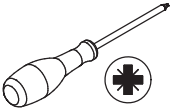
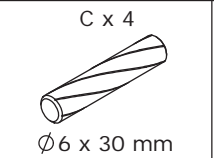
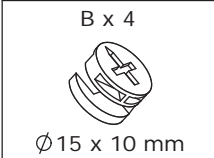


59

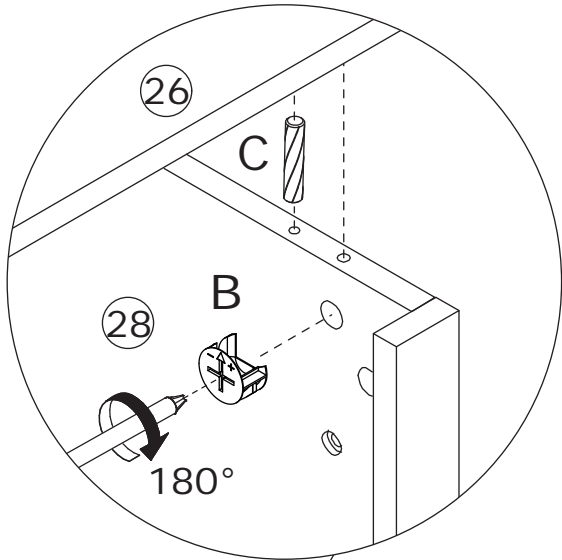
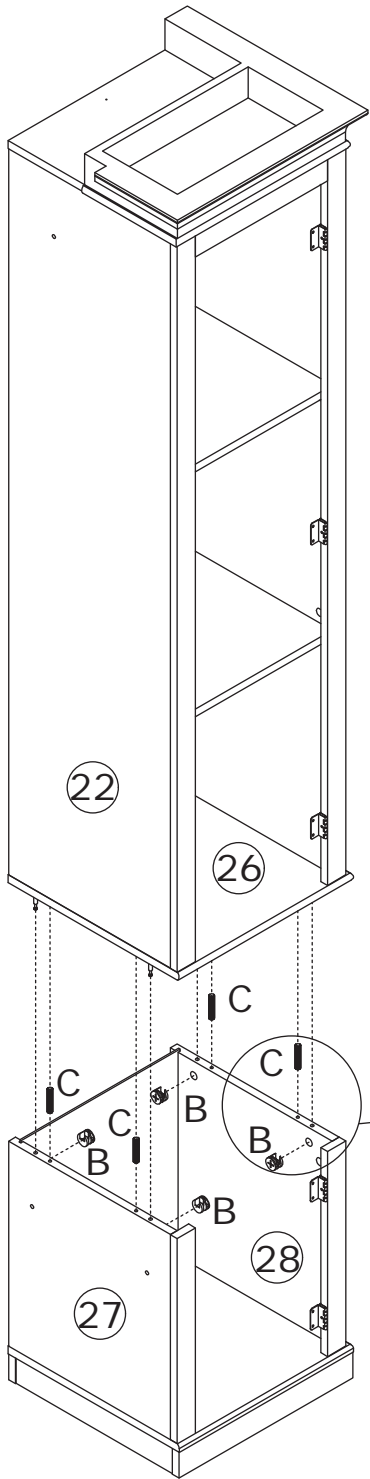
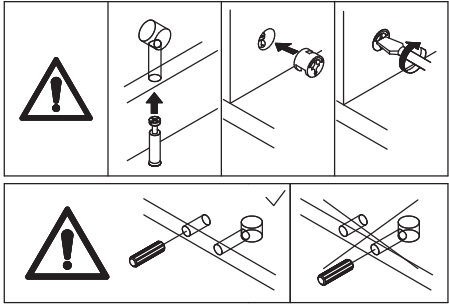
Insert part 20 along the available grooves.




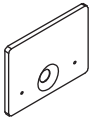


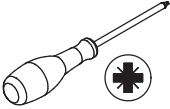
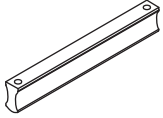
60



Connect part 26 to part 27 and 28 using wooden dowel (C), then tighten by turning cam lock (B) clockwise as shown.



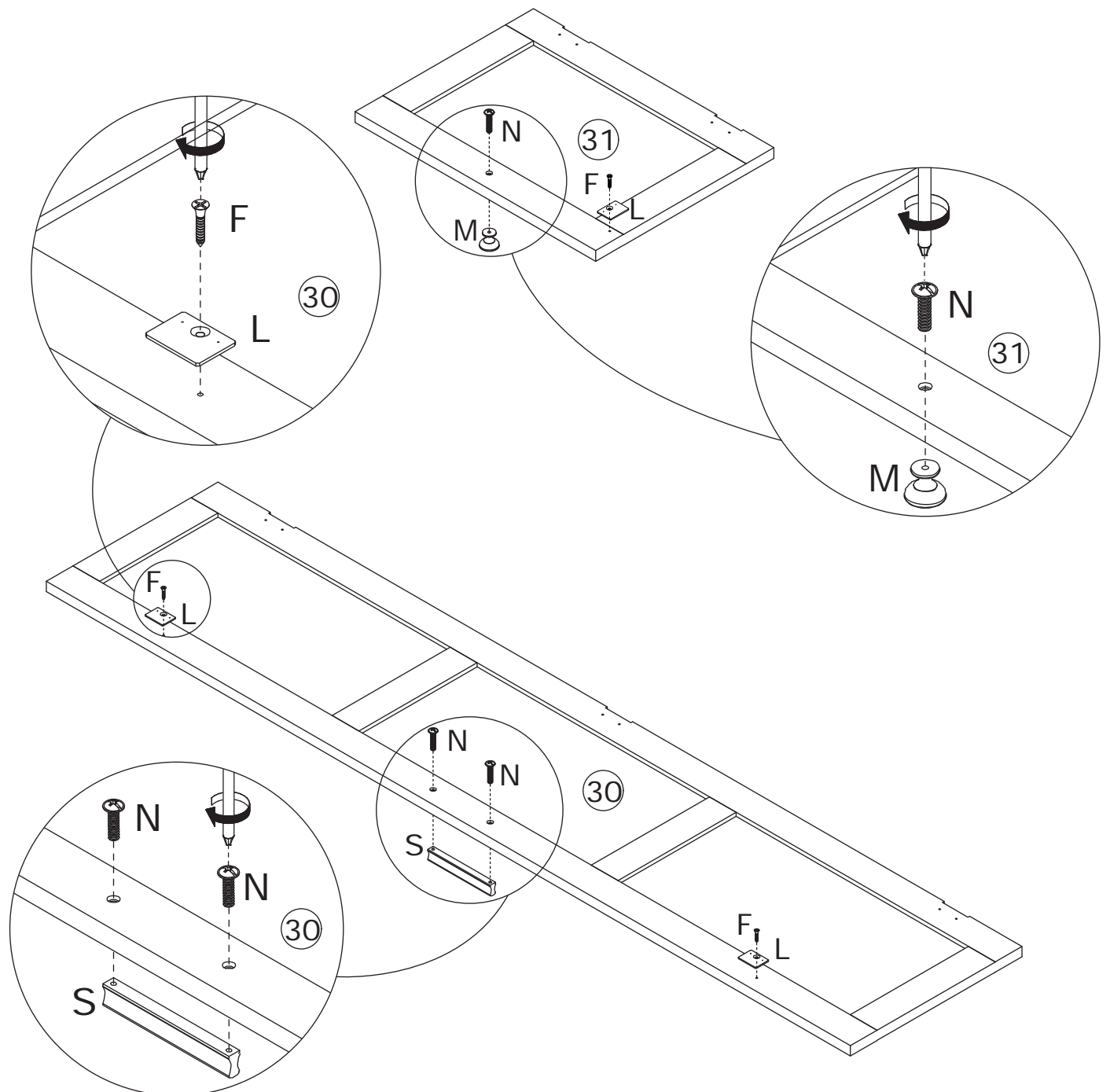
61

<p>F x 3</p>  <p>Ø3 x 12 mm</p>	<p>L x 3</p> 	<p>M x 1</p> 	<p>N x 3</p>  <p>Ø4 x 14 mm</p>	
<p>S x 1</p> 				

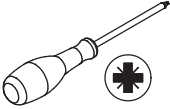
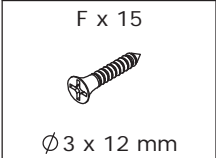
Secure iron plate (L) to part 30 and 31 using screw (F).

Secure knob (M) to part 31 using screw (N).

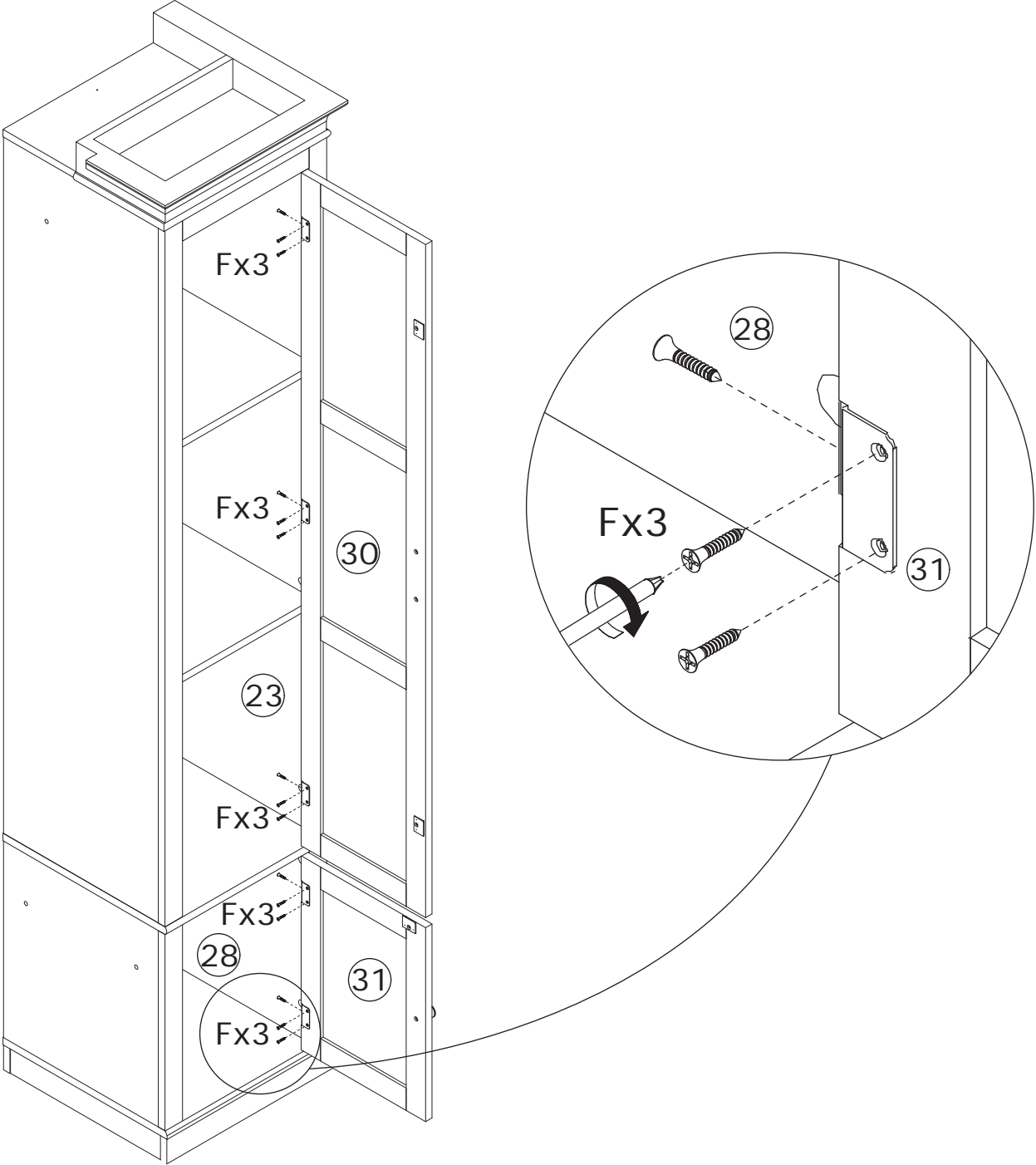
Secure handle (S) to part 30 using screw (N).



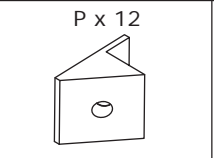
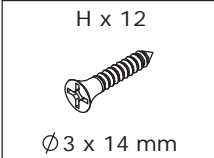
62



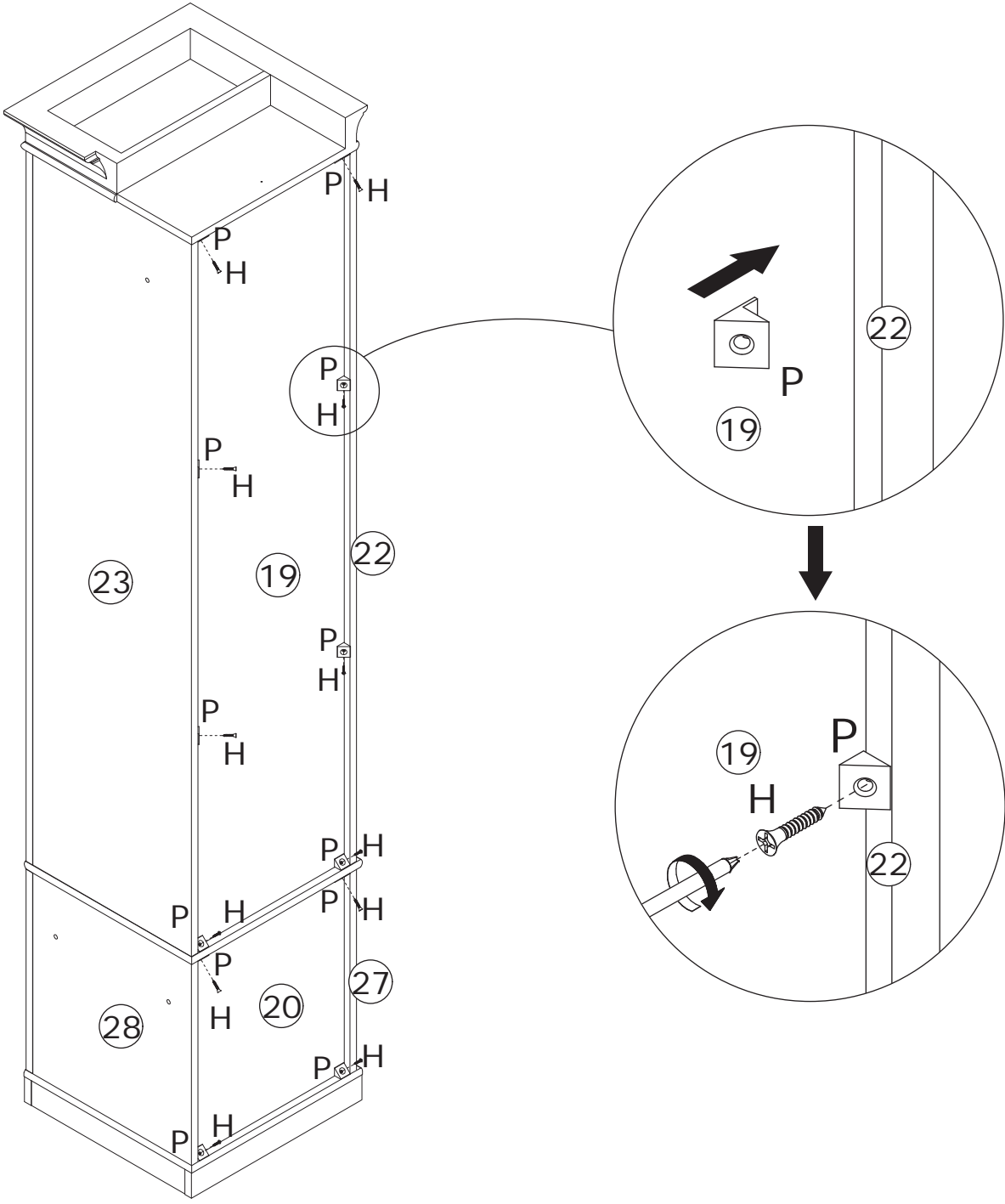
Secure part 30 and 31 to the unit by securing hinges using screw (F) as shown.



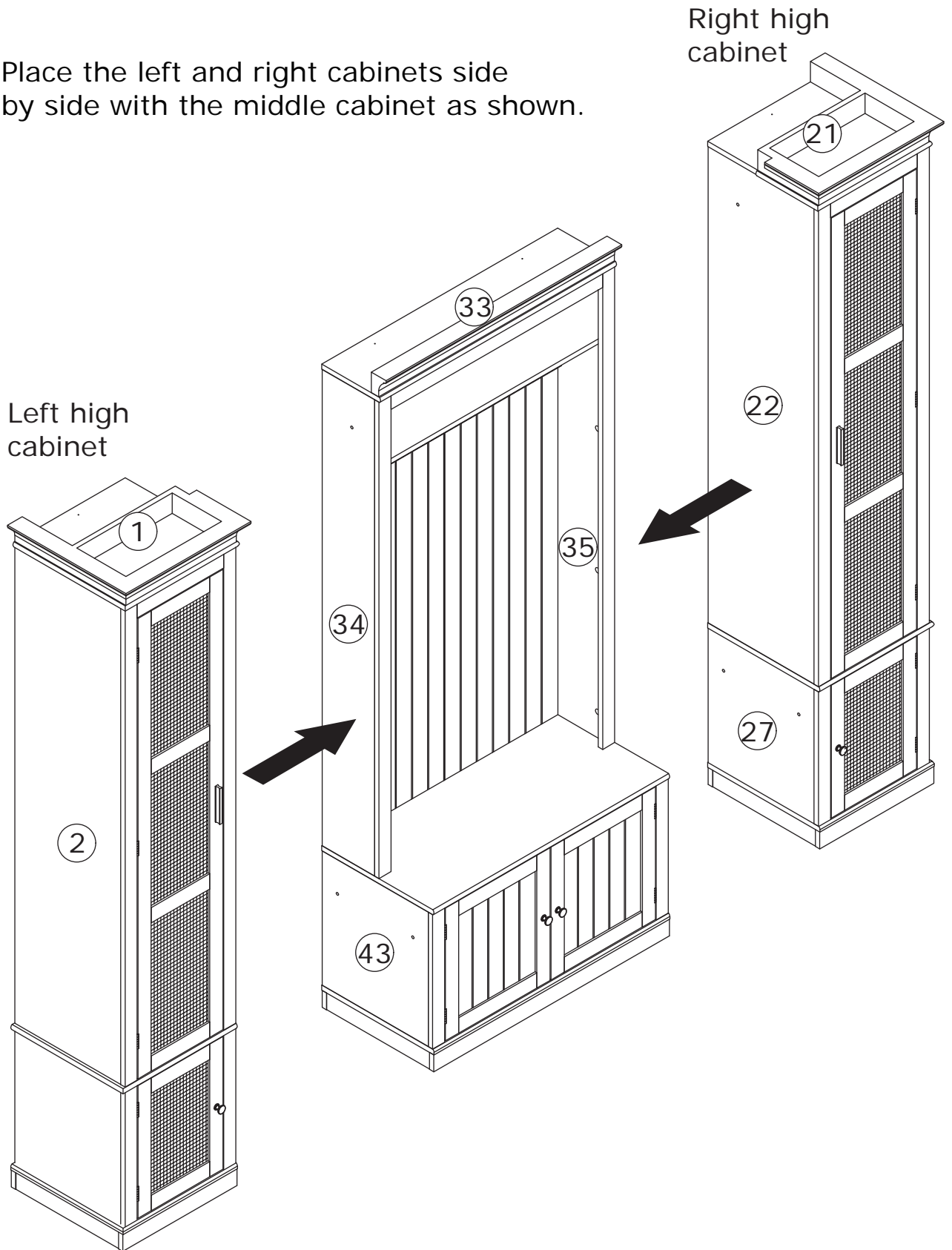
63



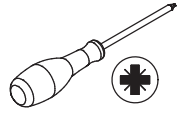
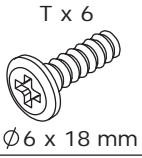
Insert clip (P) into the back slots and secure with screw (H) as shown.



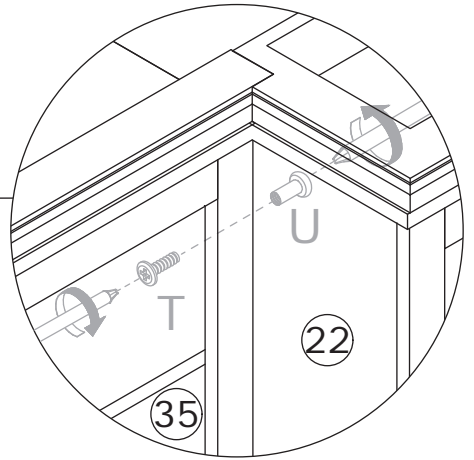
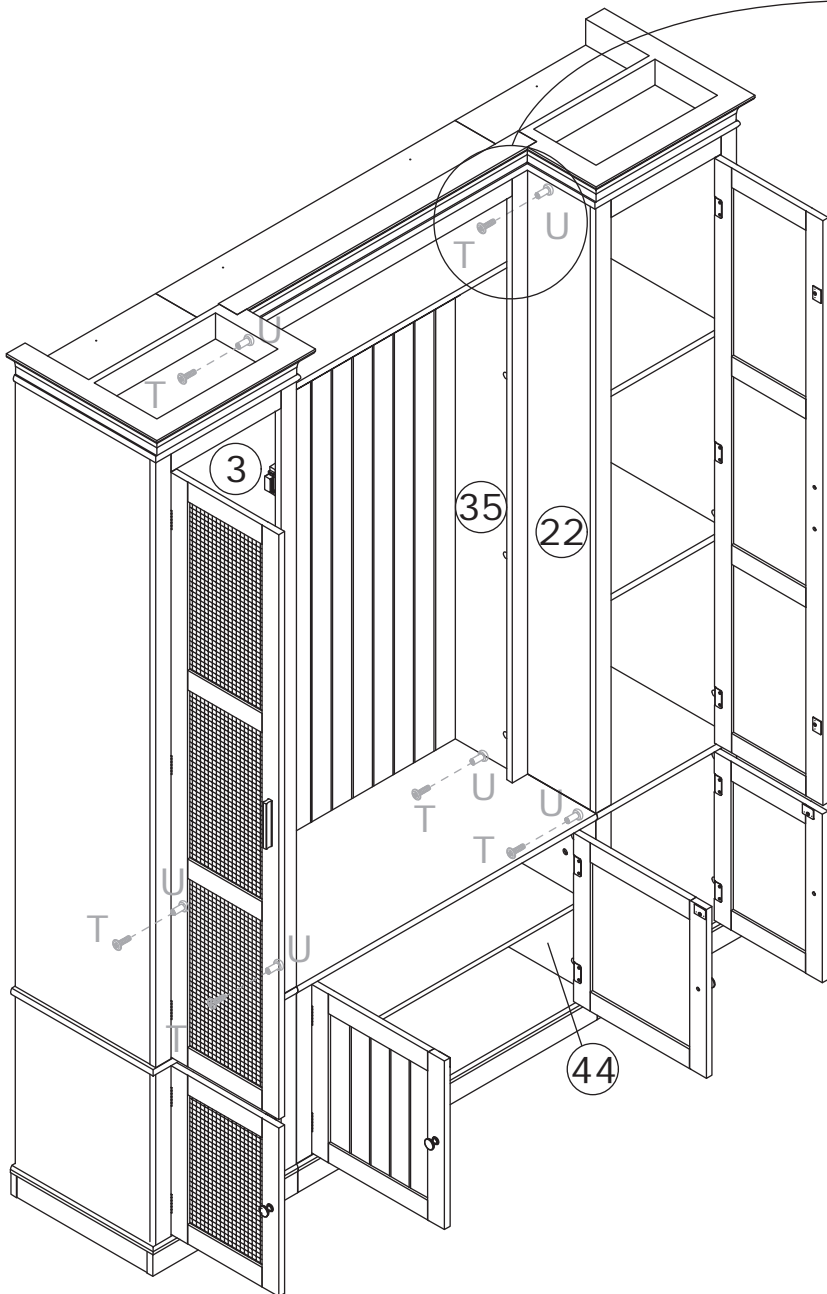
Place the left and right cabinets side by side with the middle cabinet as shown.



65



Secure them together using hardware pack (T,U) as shown.

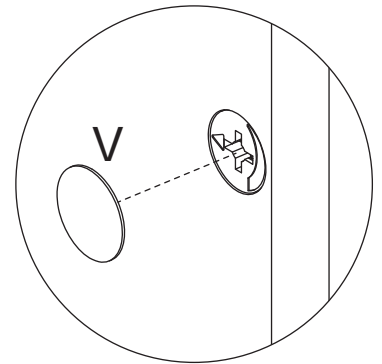
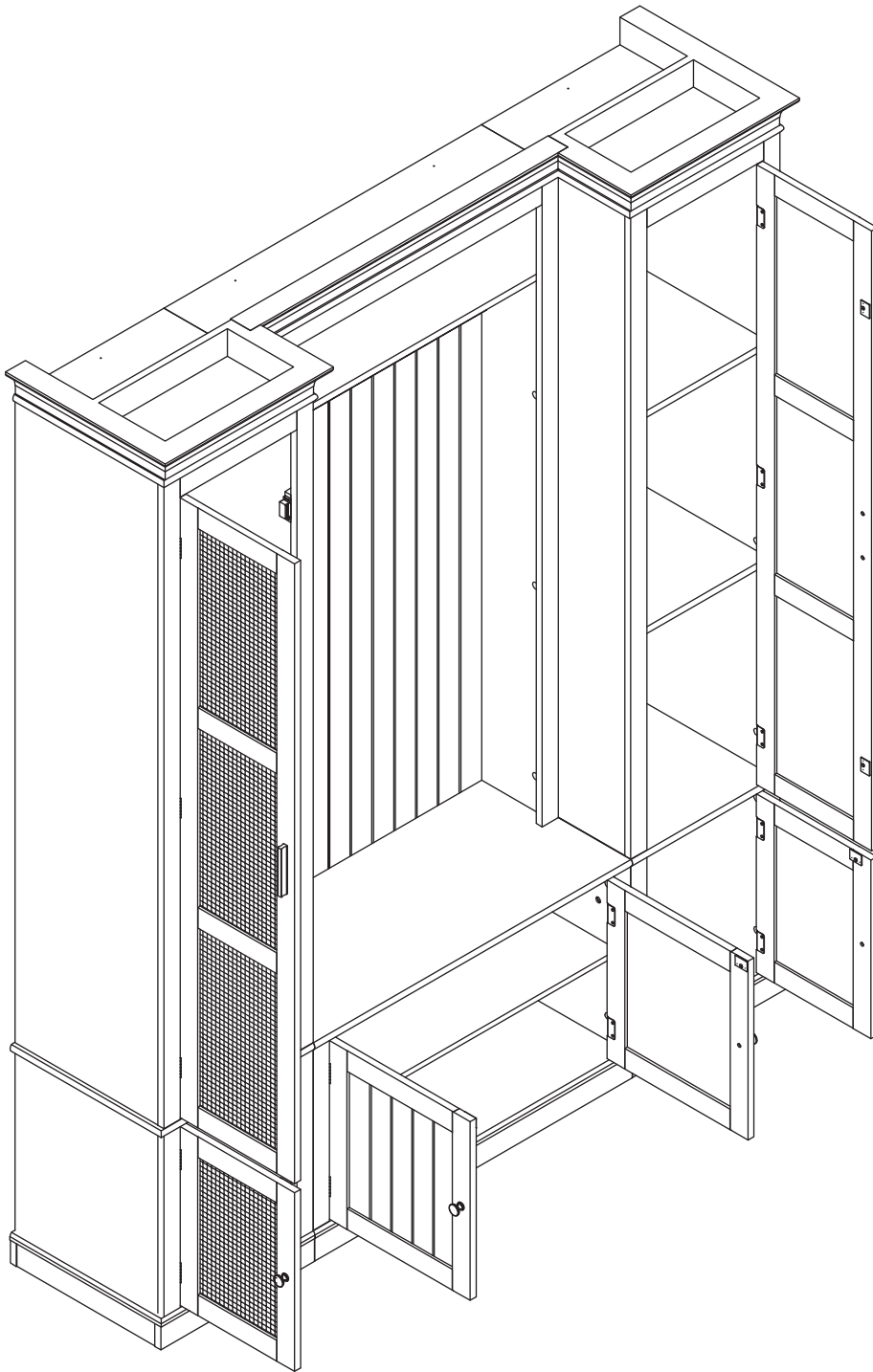


66

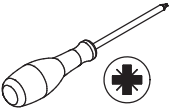
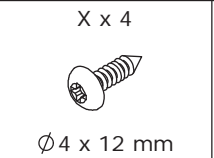
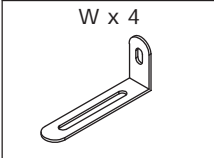
V x 122



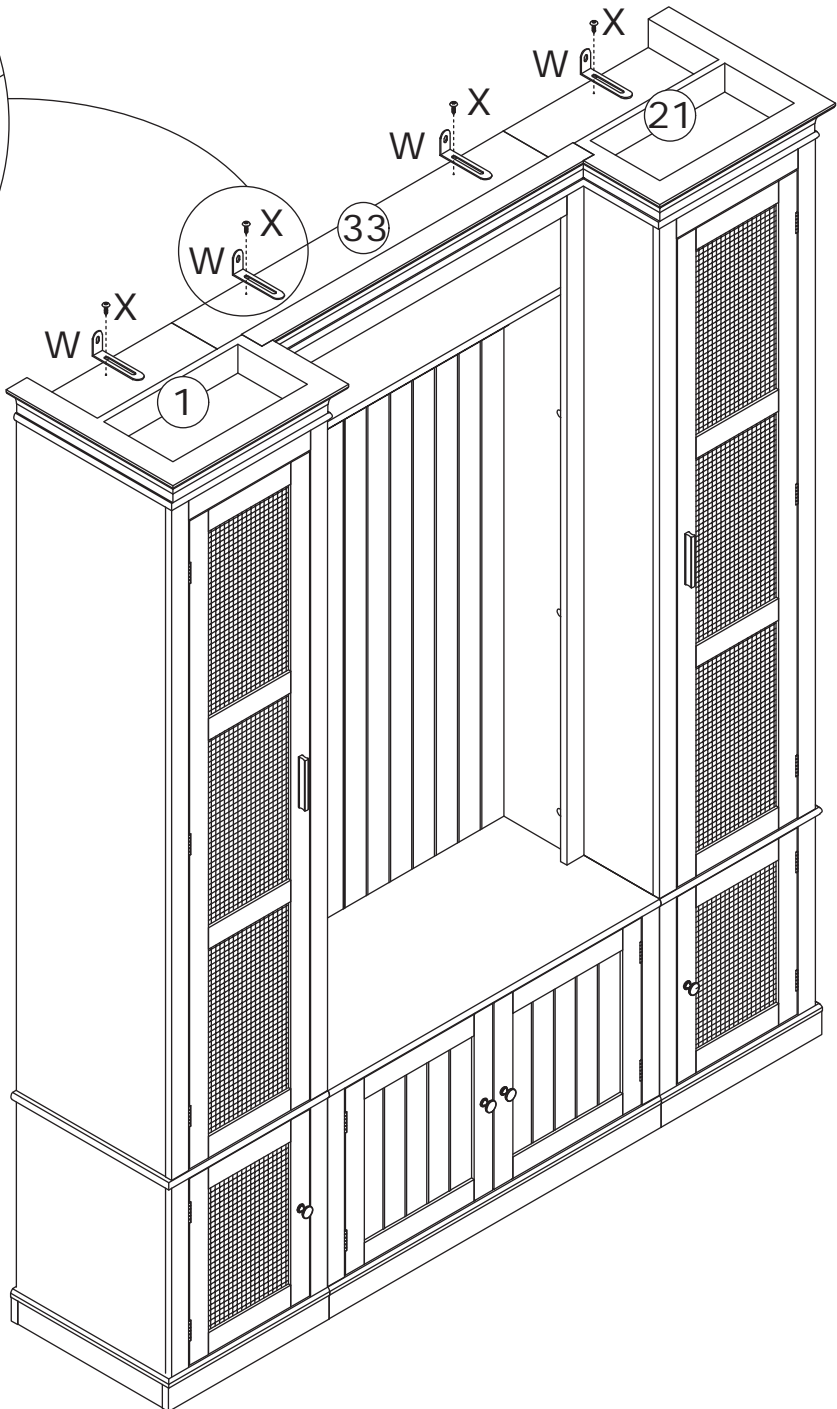
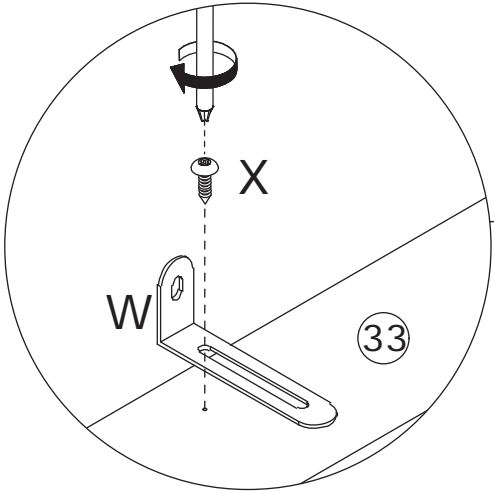
Cover the visible cam lock holes using sticker (V).



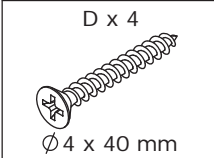
67



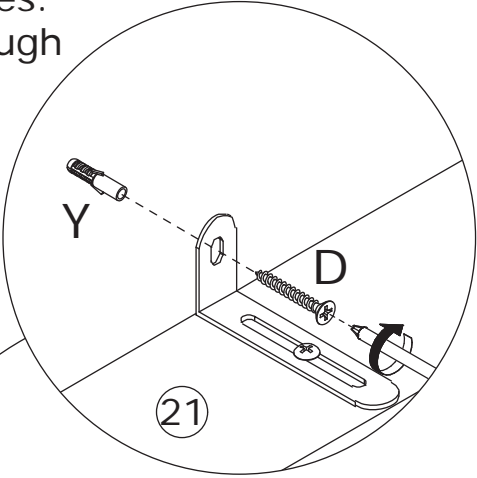
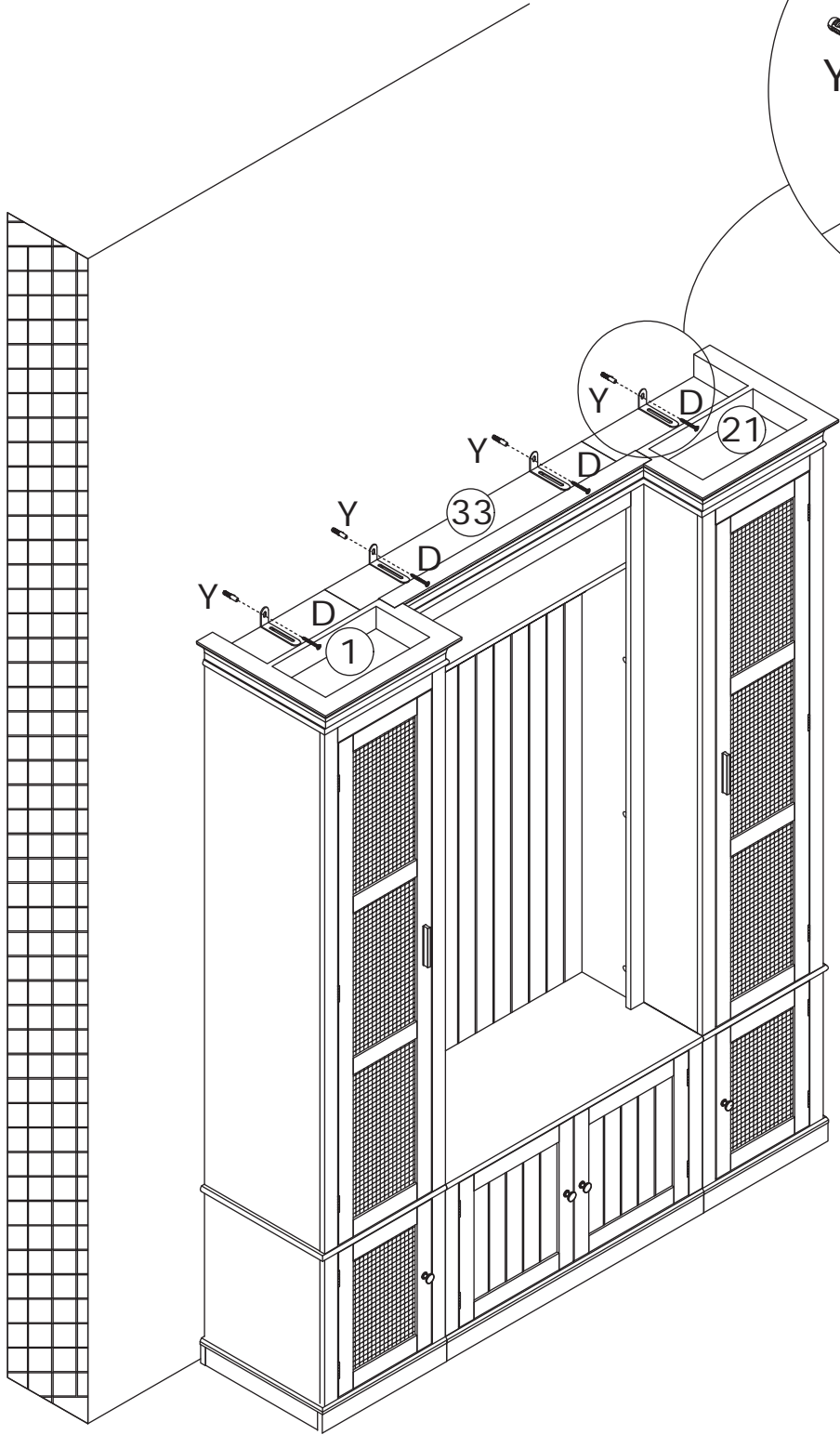
Secure bracket (W) to part 1, 33, and 21 using screw (X) as shown.



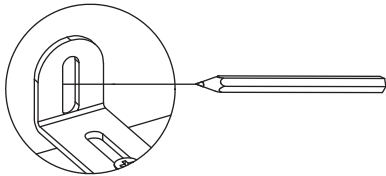
68



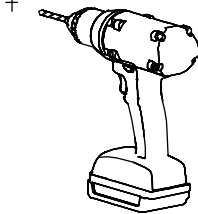
Drill holes on wall. Knock part (Y) into holes. Mount the cabinet to part (Y) on wall through screw (D) as shown.



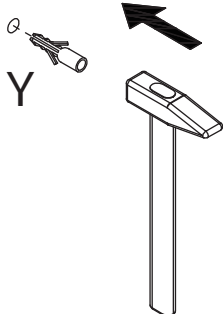
1.



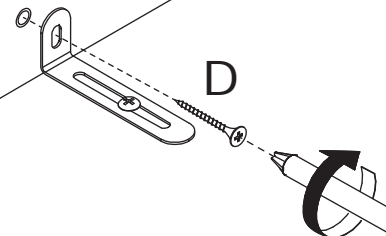
2.

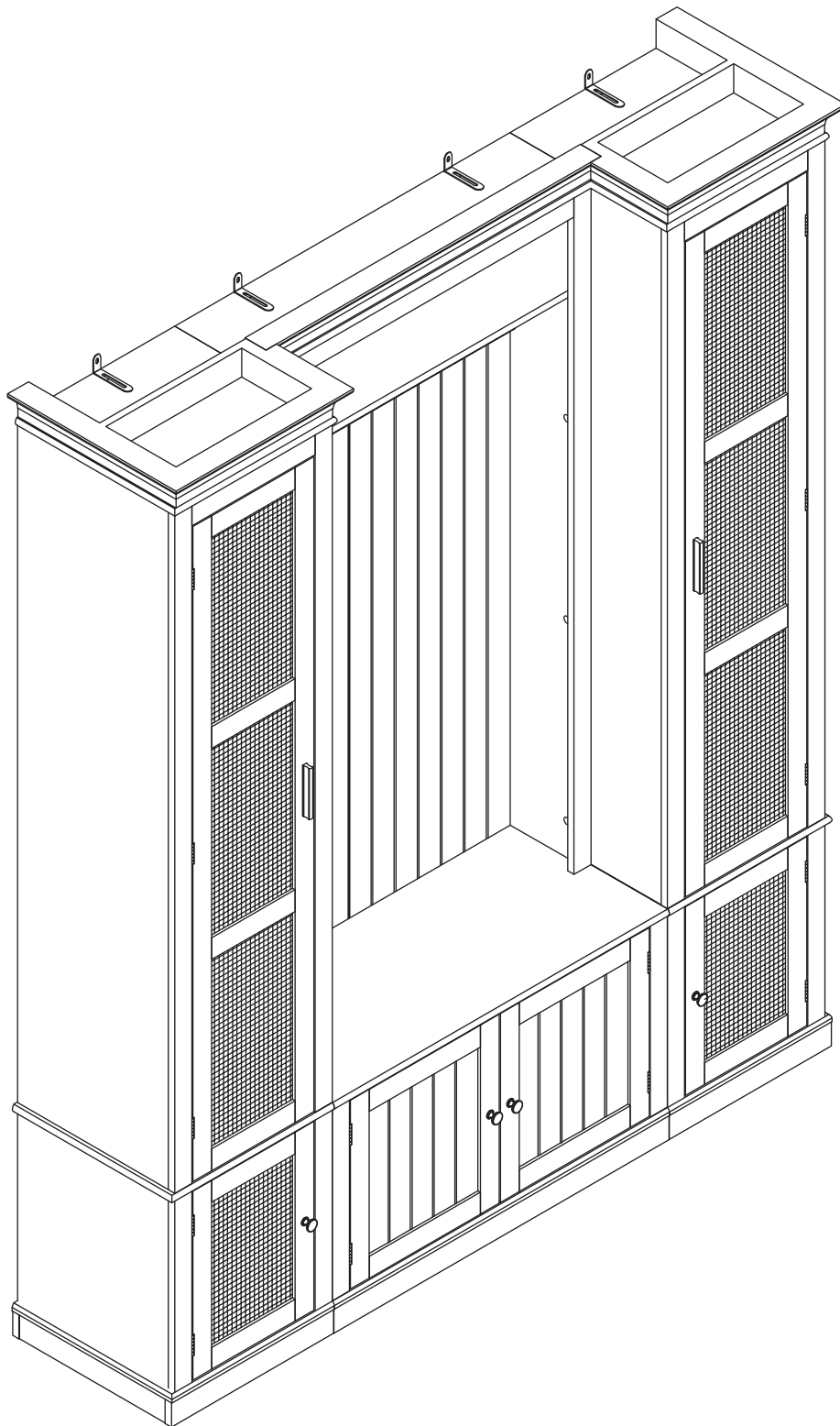


3.



4.





# WARRANTY

## WARRANTY CLAIMS

- There is a 30-day warranty for broken furniture or any other problems that do not work properly. The warranty will start from the date of purchase which must be verified by proof of purchase.
- Before making a claim, we may be able to answer your query, simply call us. Please leave your purchase order number, along with some details of the problem, if you want a replacement part. We will arrange within 48 hours. If there is out of stock, we will reply with a shipping date.
- The product must be used in accordance with the instructions provided. For health reasons.
- For other reasons, if the furniture needs to be returned, it must be cleaned and dried and operated within 30 days of receipt.

## Type of Warranty Claim

- Failure to follow the furniture instructions will invalidate the warranty. Attention please.
- Does not include damage during installation, but includes damage during transportation.

## Scope of responsibility

- Shall not bear any responsibility for misuse or user damage and / or loss of parts during the installation of furniture.
- After using, the damage and scratches of the furniture are not covered by the warranty.

## The Warranty Relates to All Bought in The Us and Covers The Following Areas

- Sheet parts: 1 month from the date of purchase.
- Electrical parts: 1 month from the date of purchase.

# RETURNS

## CHANGED YOUR MIND AND NEED TO RETURN YOU ITEM?

### PLEASE FOLLOW THE BELOW INSTRUCTIONS:

- If you have purchased and have simply changed your mind, follow the retailer's instructions for returns.

### DEFECTIVE ITEMS

- If your item is defective in any way, i.e. it doesn't work but you can't identify why, in the first instance, please call us.

### DAMAGED ITEMS

- If you receive an order with obvious shipping damage from the retailer, then we suggest the delivery is refused. If the delivery has been accepted and then shipping damage is found, please follow the specific instructions advised by the retailer.  
In all circumstances please save all packaging material and paperwork for the order. Please be aware that if you dispose of packaging material or attempt to return the merchandise without contacting the fulfiller, you jeopardise your chances of making a claim, and you may not receive a credit for the return.