



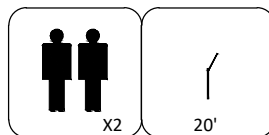
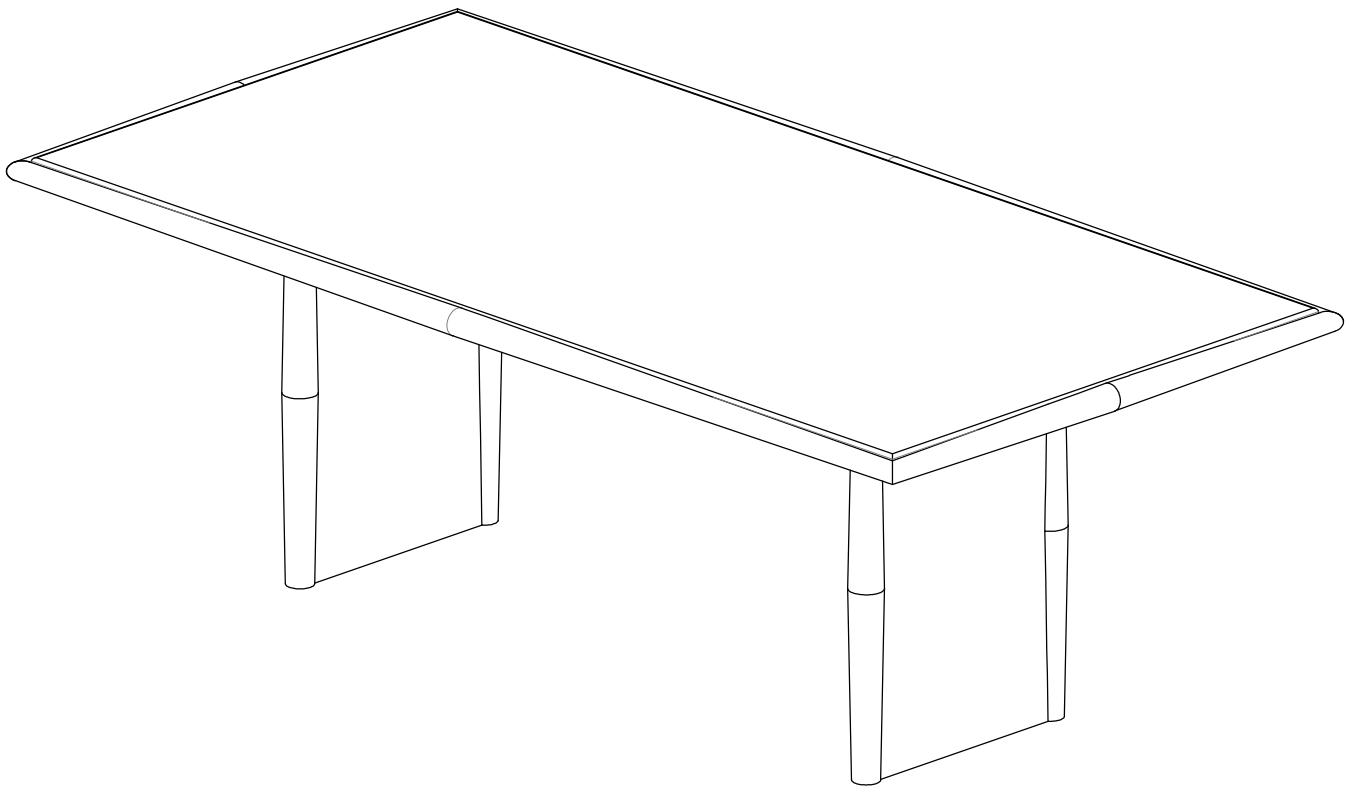


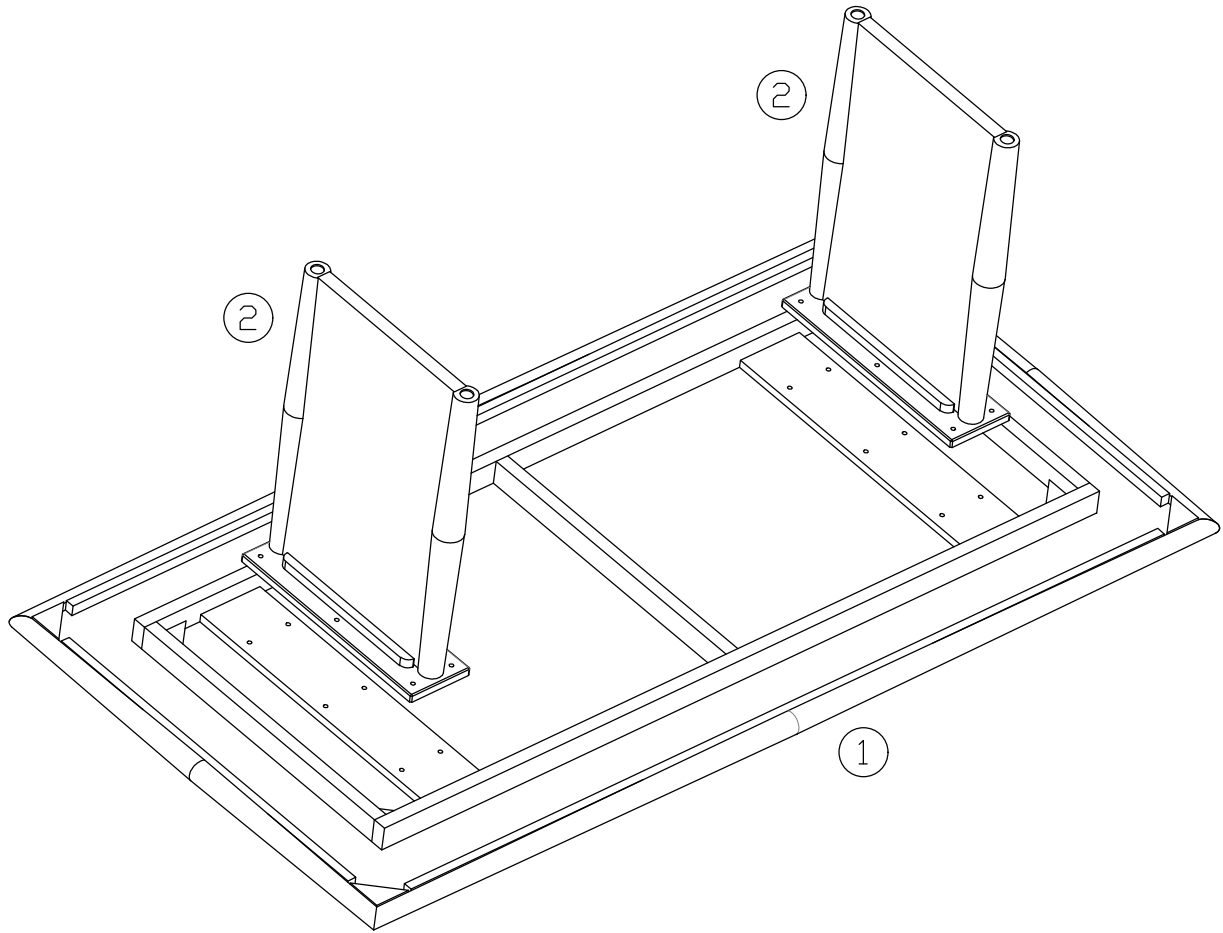
ASSEMBLY INSTRUCTION FOR GLENVIEW DINING TABLE

HARDWARE LIST

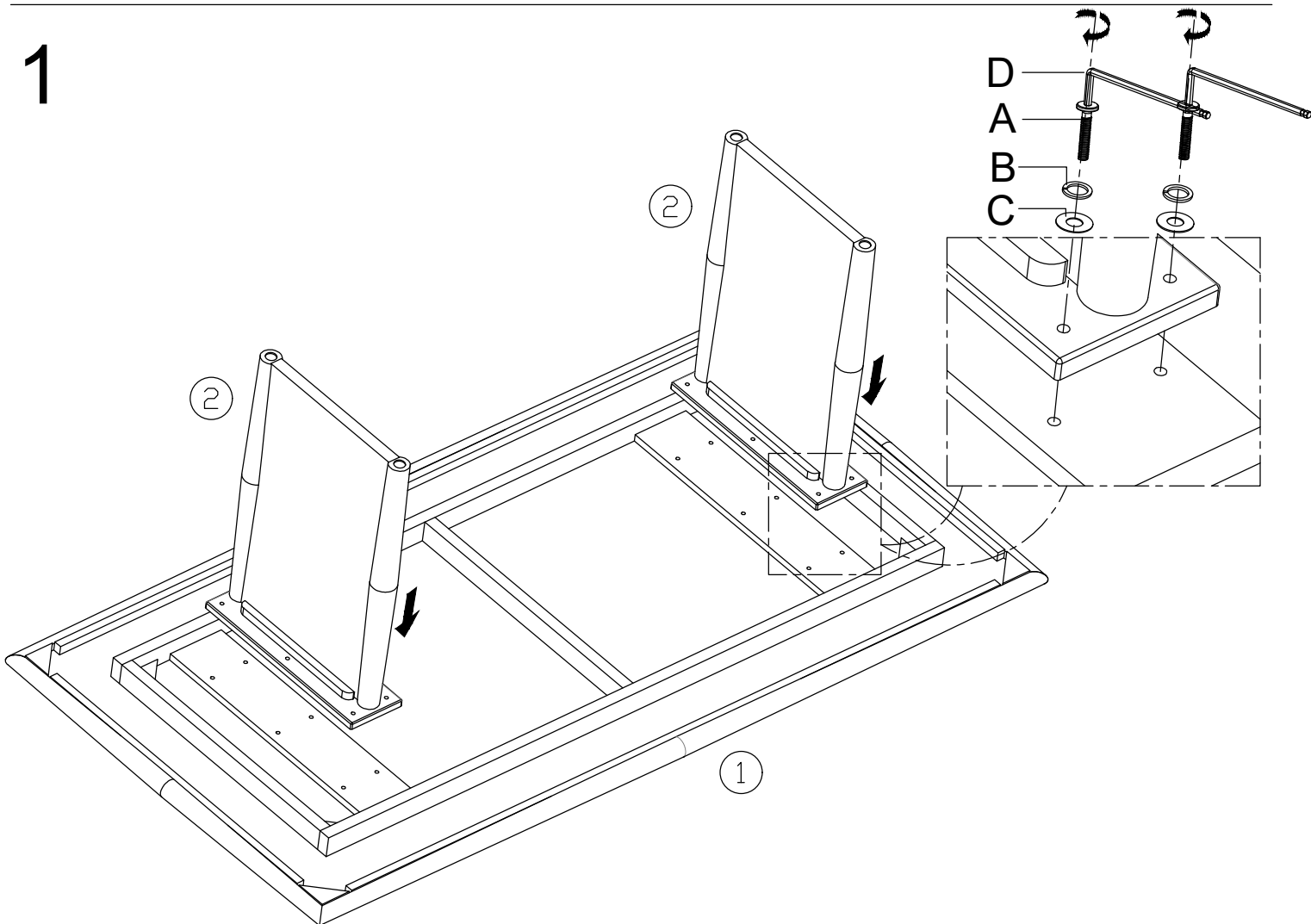
A		Bolt	8mm x 35mm	12
B		Lock washer	8mm	12
C		Flat washer	8mm x 19mm	12
D		Allen Wrench	5mm	1



COMPONENTS



1



2

