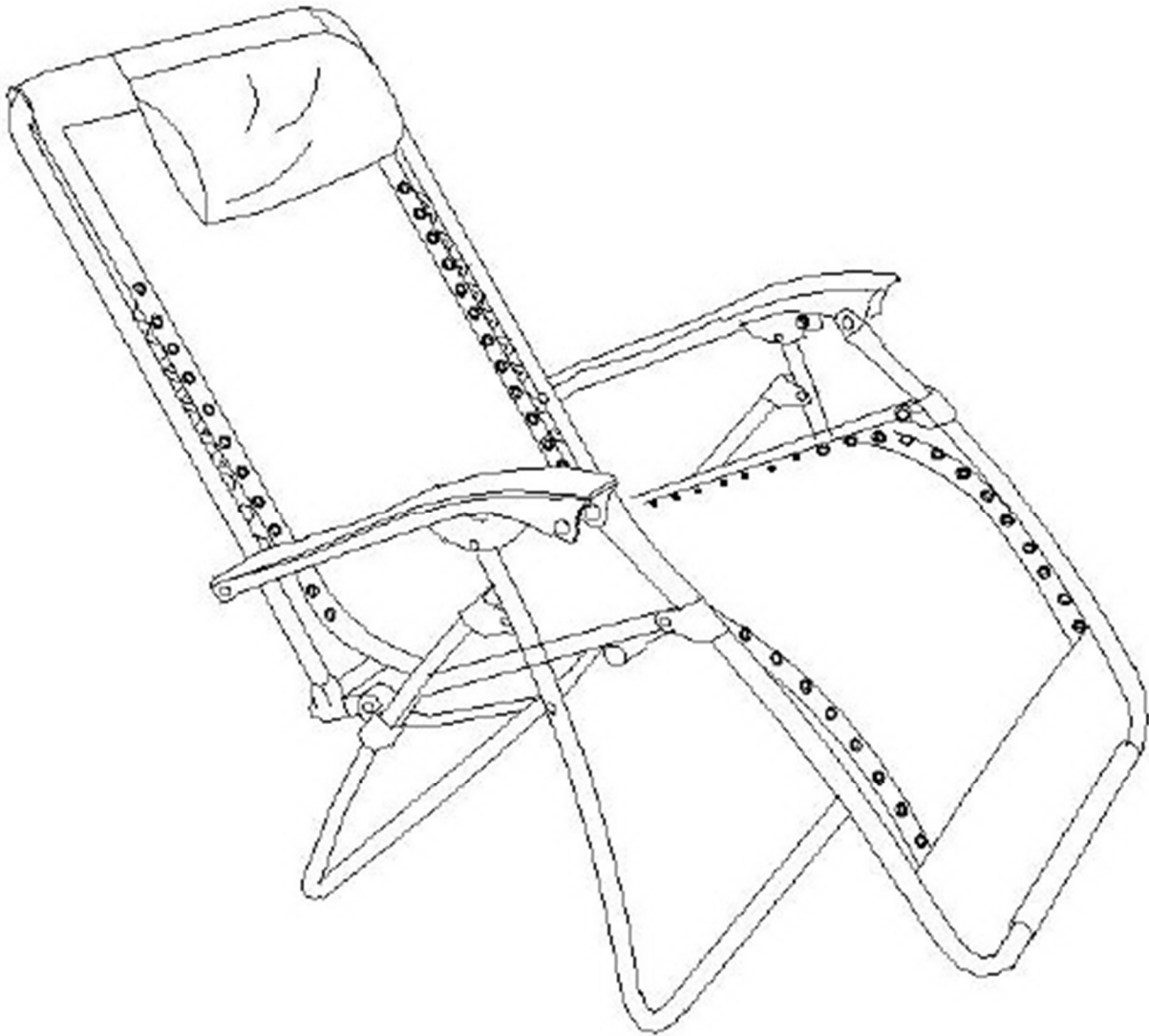


Instruction Manual

Please save this manual for future reference.

Product Name:	Zero Gravity Chair
----------------------	--------------------

Thank you for purchasing this product. This product has been manufactured with the highest standards of safety and quality.



Weight Capacity: 250 lbs.
Clean with soft, dry cloth.

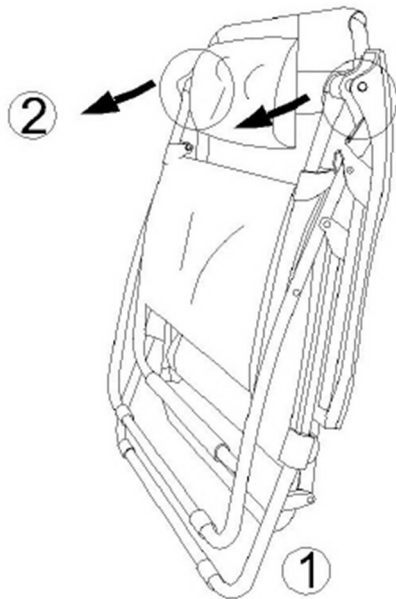
Instruction Manual

Please save this manual for future reference.

Product Name:	Zero Gravity Chair
----------------------	--------------------

Step 1:

To open the Zero Gravity Chair.

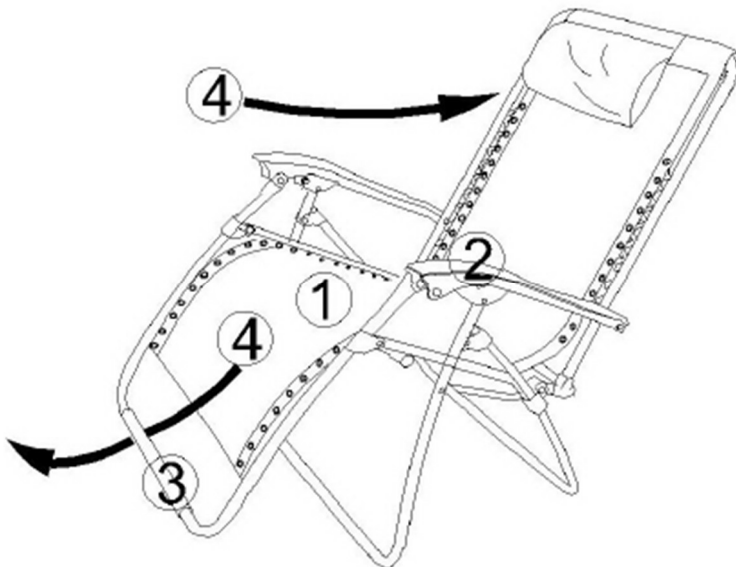


1. Stand chair upright on its legs, with the pillow facing forward.
2. Gently push the chair's armrests toward the ground, until both the front and back legs of the chair are firmly touching the ground.

Note: Chair must be set up on level ground.

Step 2:

To recline the Zero Gravity Chair



1. Sit in the chair with your back resting fully against the back of the chair.
2. Put both of your hands on the armrests.
3. Put both of your feet on the footrest bar.
4. Lean back and push the footrest bar forwards and upwards at the same time until the chair reclines into your desirable position.

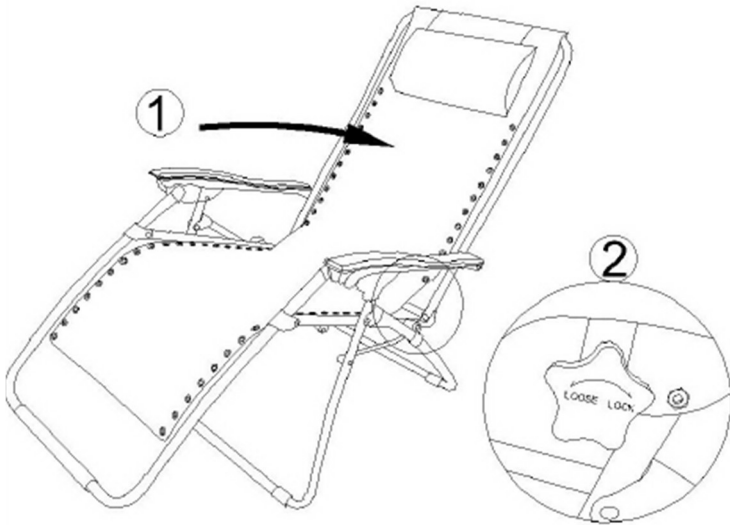
Instruction Manual

Please save this manual for future reference.

Product Name:	Zero Gravity Chair
----------------------	--------------------

Step 3

To lock the Zero Gravity Chair



1. Recline to the desirable position, and find the turning knob locking mechanism on the underside of the armrest. Shift weight slightly to ensure the chair has been locked.
2. Turn right knob clockwise, and turn left knob counterclockwise at the same to lock in the recline position.

Step 4

To get out of the Zero Gravity Chair



Press downwards with your feet on the footrest to return to an upright position.

Instruction Manual

Please save this manual for future reference.

Product Name:	Zero Gravity Chair
----------------------	--------------------

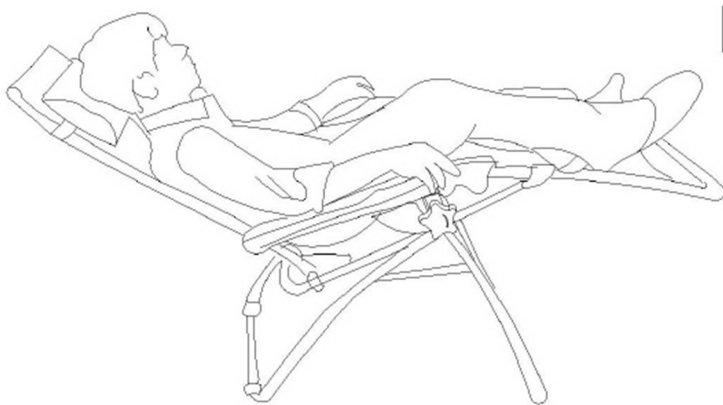
Step 5



When sitting in the chair as shown in Image A, it is not necessary to unlock the turning knob before getting out of the zero gravity chair.

Image A

Step 6



When laying back in the chair as shown in Image B, you must unlock the turning knobs before getting out of the zero gravity chair.

Image B

