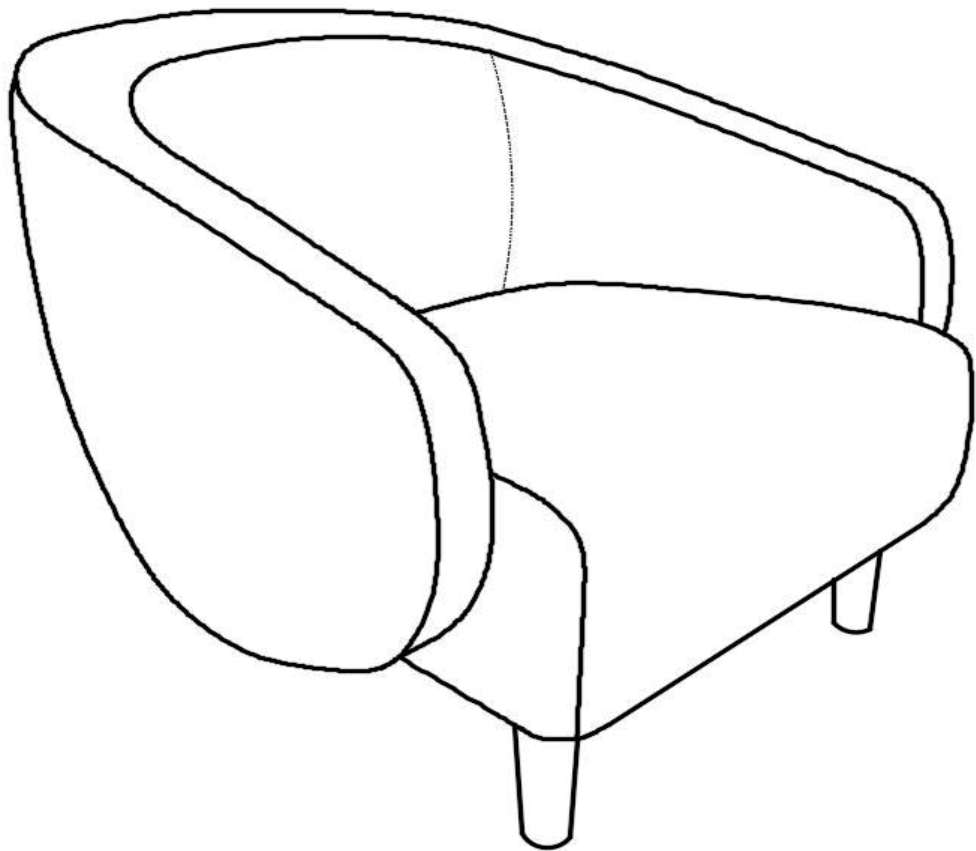


# ASSEMBLY INSTRUCTIONS

ACCENT CHAIR



TIME



2 OF PEOPLE



DIFFICULTY

## NOTICE

### Instruction Booklet - Important Safety Information

Thank you for choosing our product. Please review this booklet carefully for essential safety information and keep it for future reference.

- Upon receiving the product, ***ensure all parts are present and intact*** before proceeding with installation. Follow the entire installation instructions provided.
- During installation, exercise caution and refrain from immediately tightening screws. Secure all screws to 80% before final tightening.

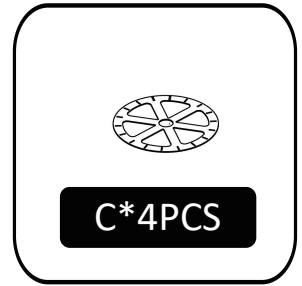
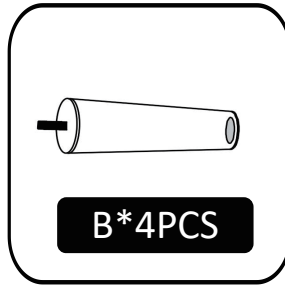
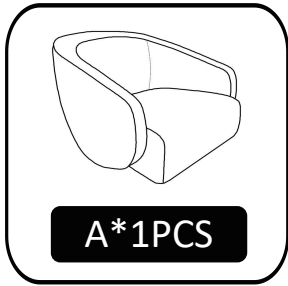


**Before installation, please check that the parts are all included !**

# Carton

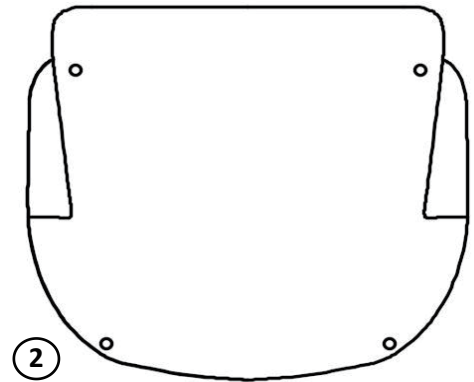
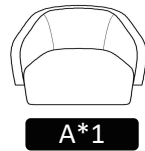
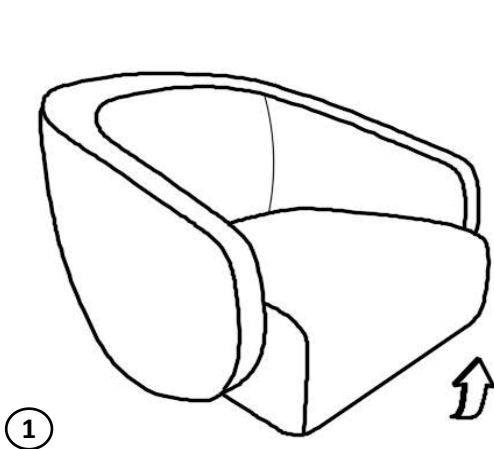
Materials ▶

BOX



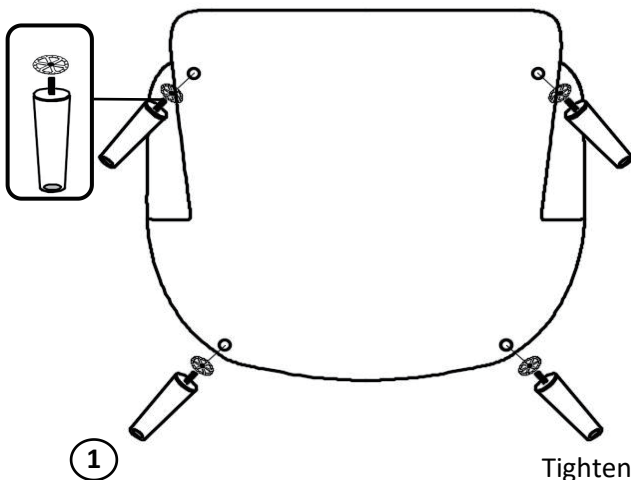
## Installation Steps

Materials ▶



Flip the sofa seat to see four foot holes

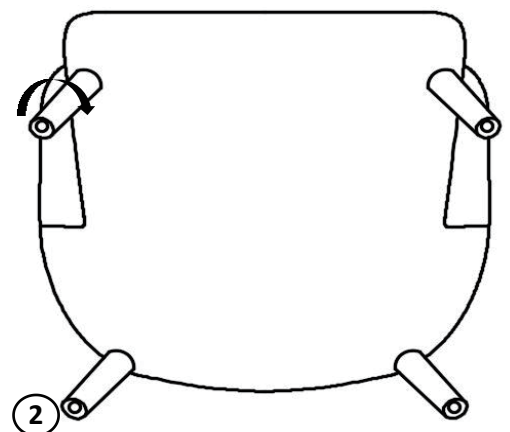
STEP1



B\*4



C\*4

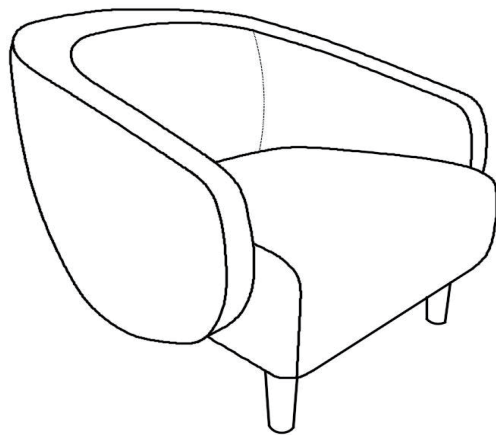


Tighten the wooden foot of the sofa according to the hole

STEP2

# Installation Steps

Materials ▾



STEP 3

Flip the sofa to the front