

# Instruction Manual

---

## Cast Iron Garden and Patio Rocking Bench



# Warranty

## Limited 1-Year Manufacturer Warranty

### **Manufacturer warranty covers:**

- Parts that are deemed defective within 30 days will be shipped free of charge, within the 48 contiguous states.
- Any warranty claim after 30 days, will require shipping to be paid by the customer.

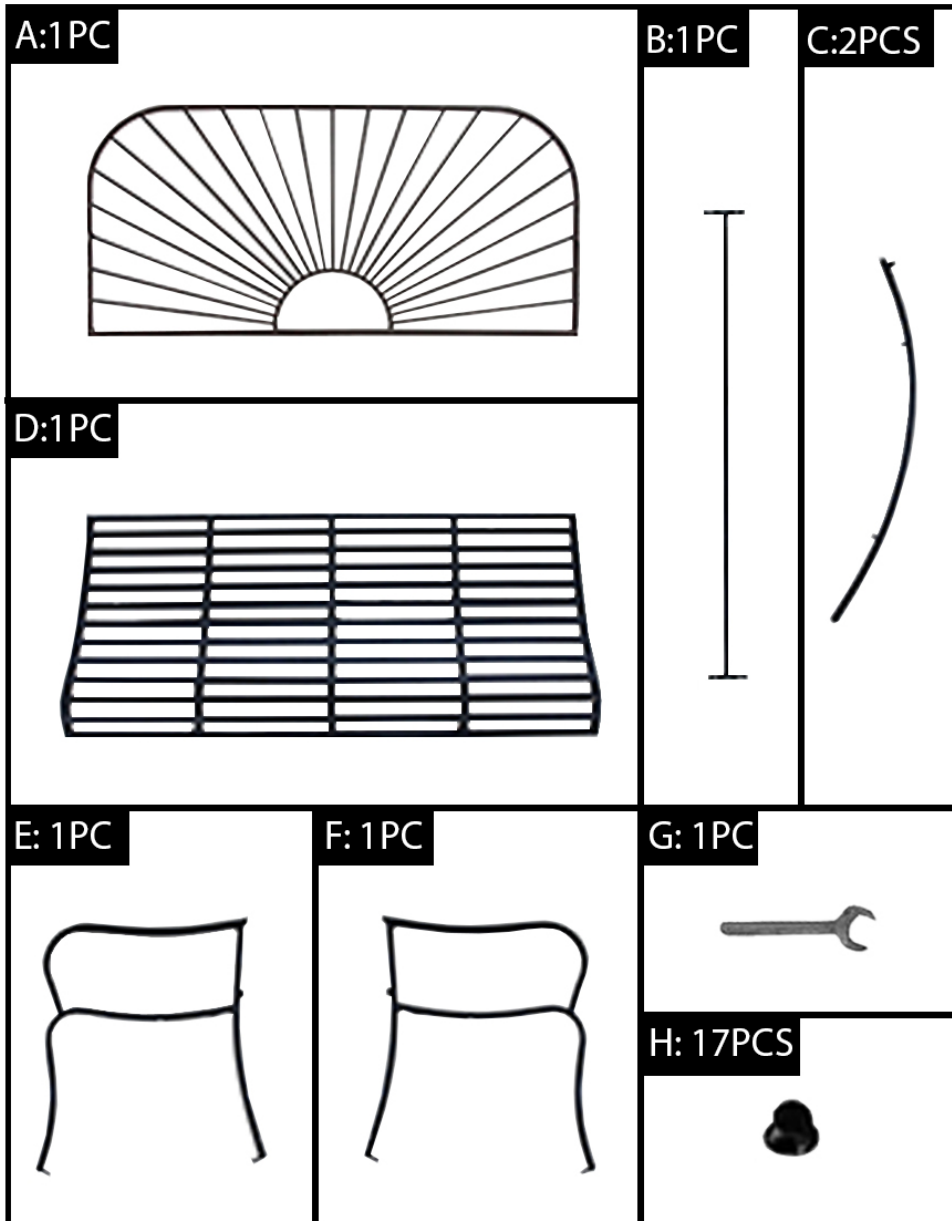
Any visible damage due to the neglect, misuse, or abuse will void the limited warranty of the product.

For further information, please contact us:

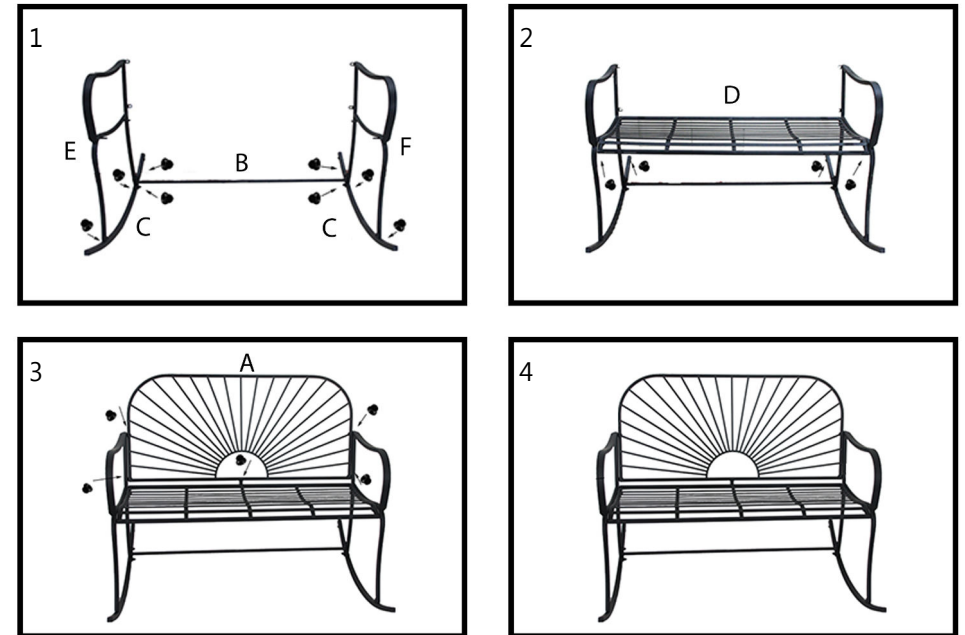
# Contents

<b>Contents</b> .....	<b>2</b>
<b>What is included</b> .....	<b>3</b>
<b>Assembly instructions</b> .....	<b>4</b>
<b>YouTube video instruction</b> .....	<b>5</b>
<b>Warranty</b> .....	<b>6</b>

## What is included



## Assembly instructions



1. Join each component of the rocking base structure together.
2. Assemble the seat onto the rocking base structure.
3. Attach the backrest and secure all parts using the provided hardware.
4. Ensure that all the connections are secured and you are ready to enjoy your rocking bench.

Note: Cushions are not included with the purchase.