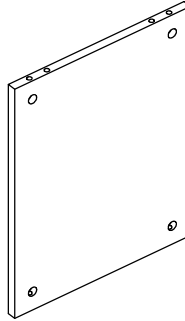


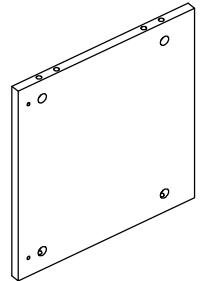
Ax2



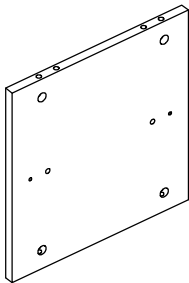
Bx1



Cx1



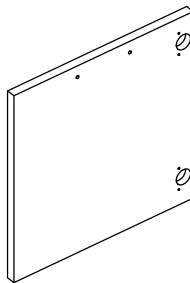
Dx2



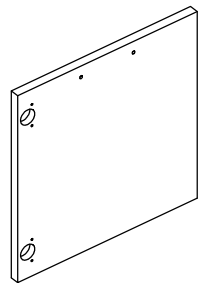
Ex2



Fx2



Gx1



Hx1



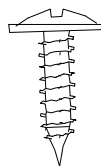
Ix20



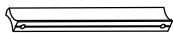
Jx28



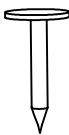
Kx20



Lx10



Mx2



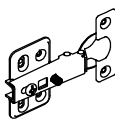
Nx25



Ox24
M3.5x $\frac{15}{0.6}$



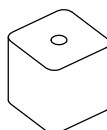
Px4



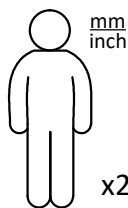
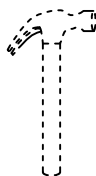
Qx4



Rx8



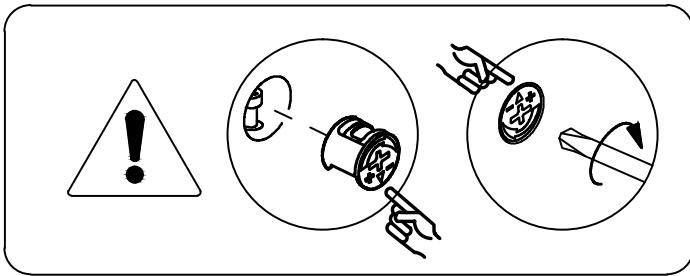
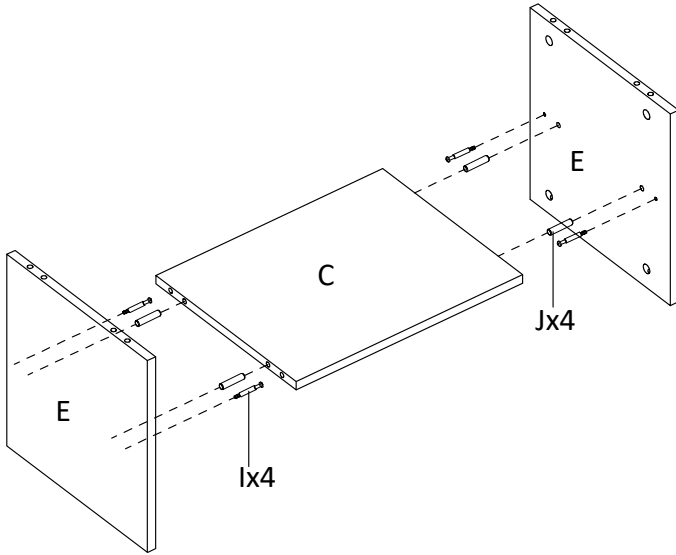
Sx2



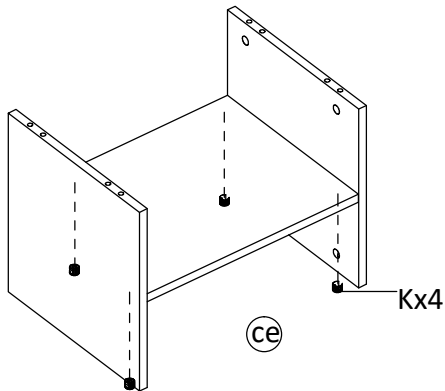
mm
inch

x2

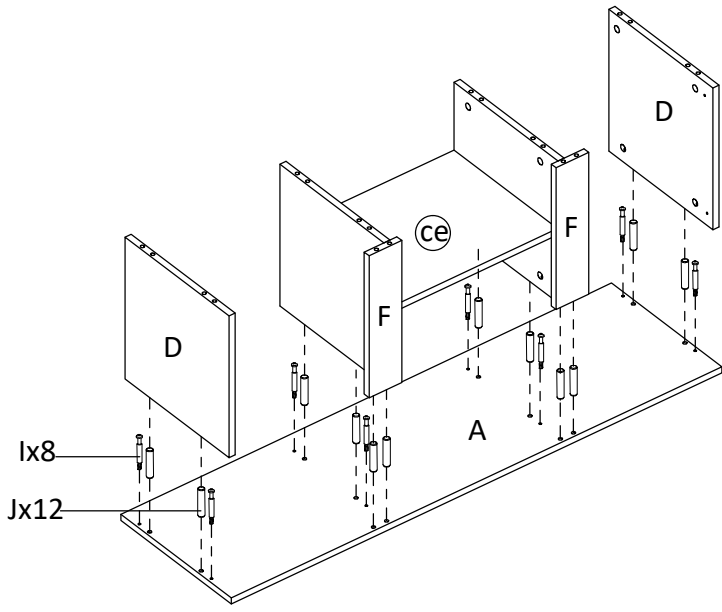
1



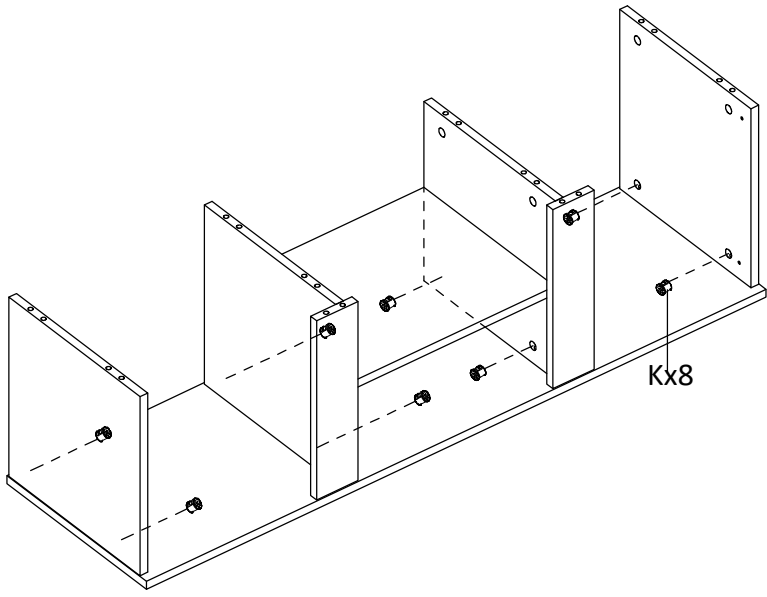
2



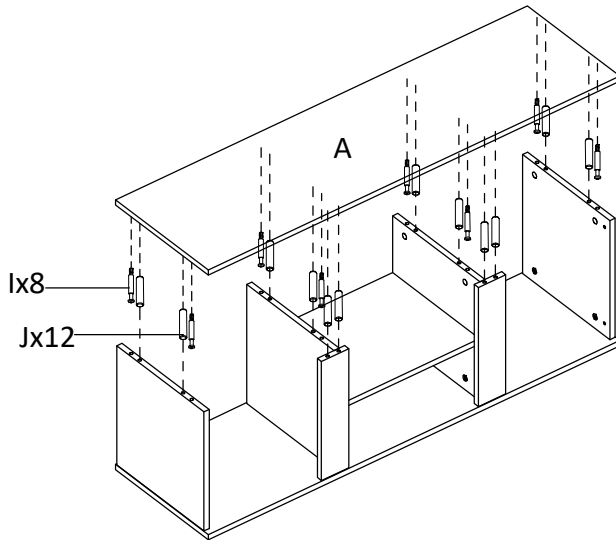
3



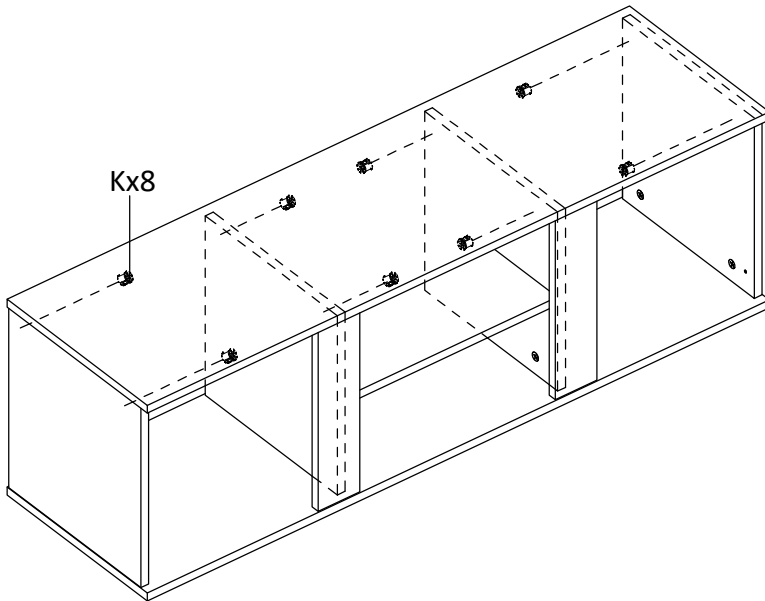
4



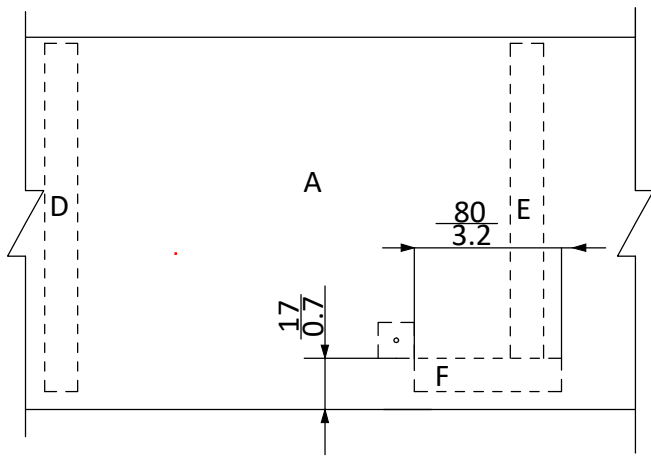
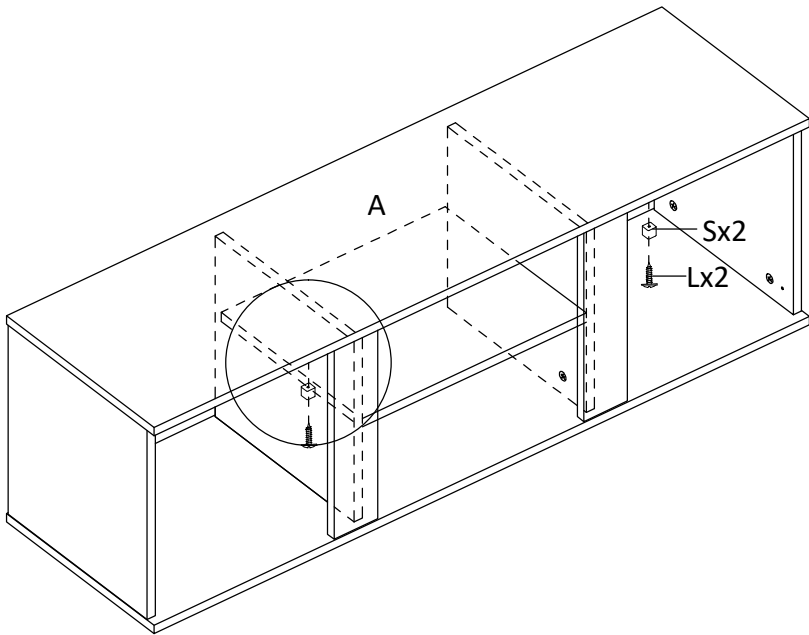
5



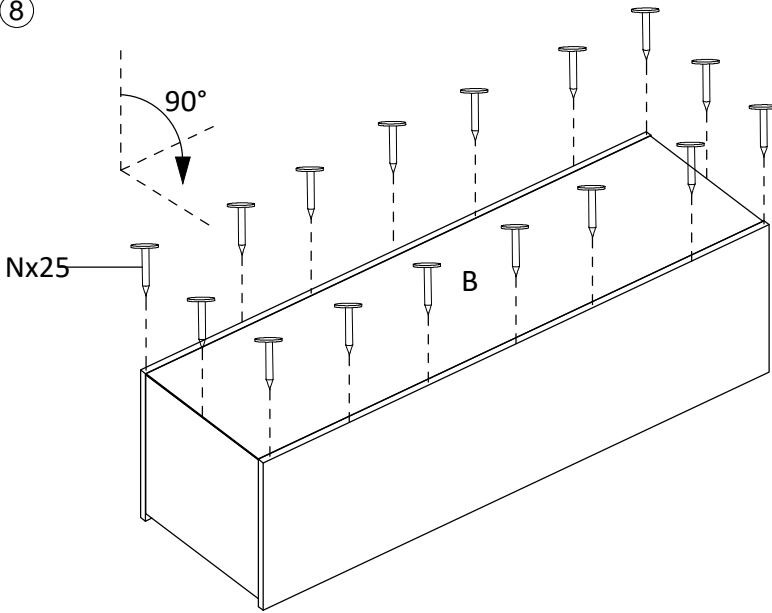
6



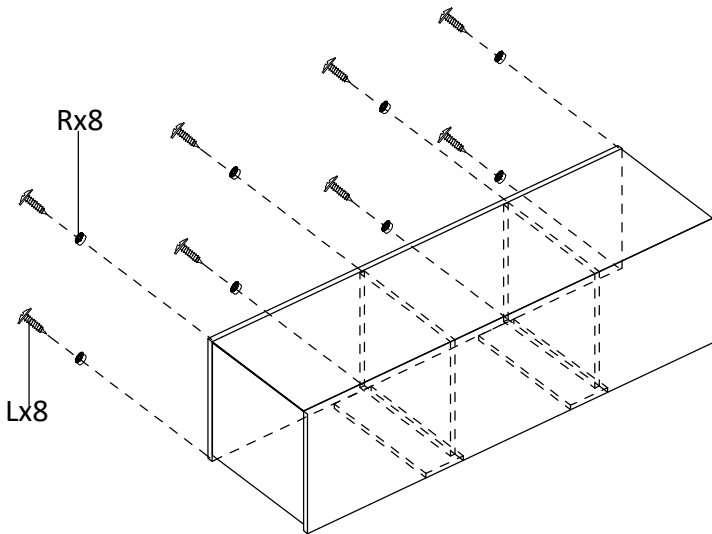
7



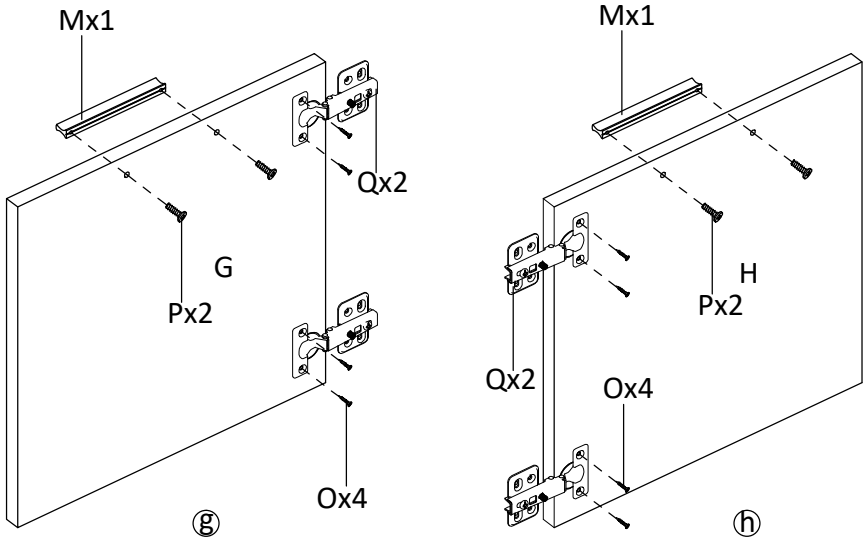
8



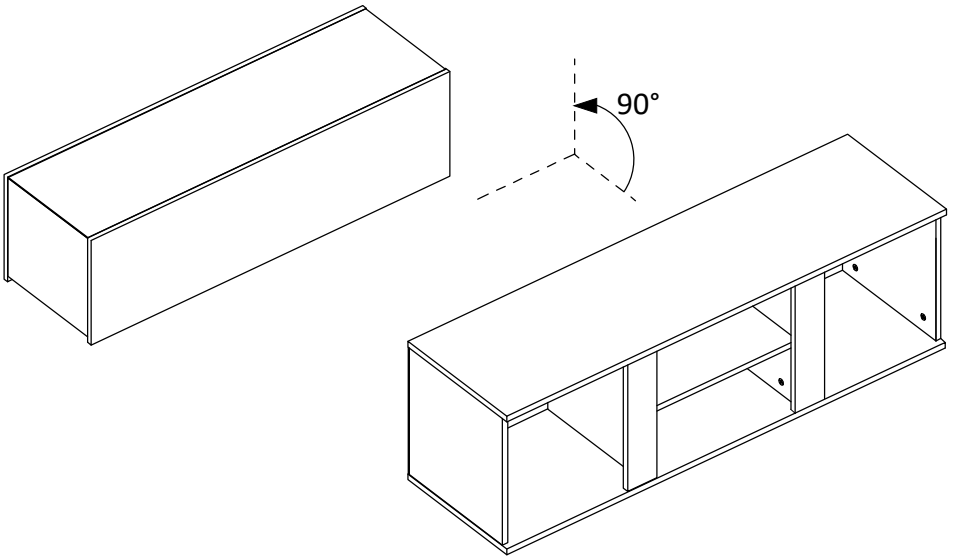
9



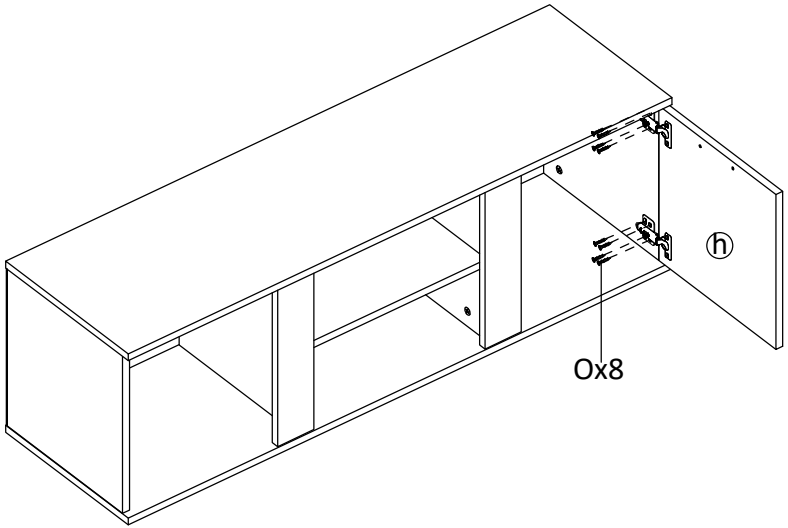
10



11



12



13

