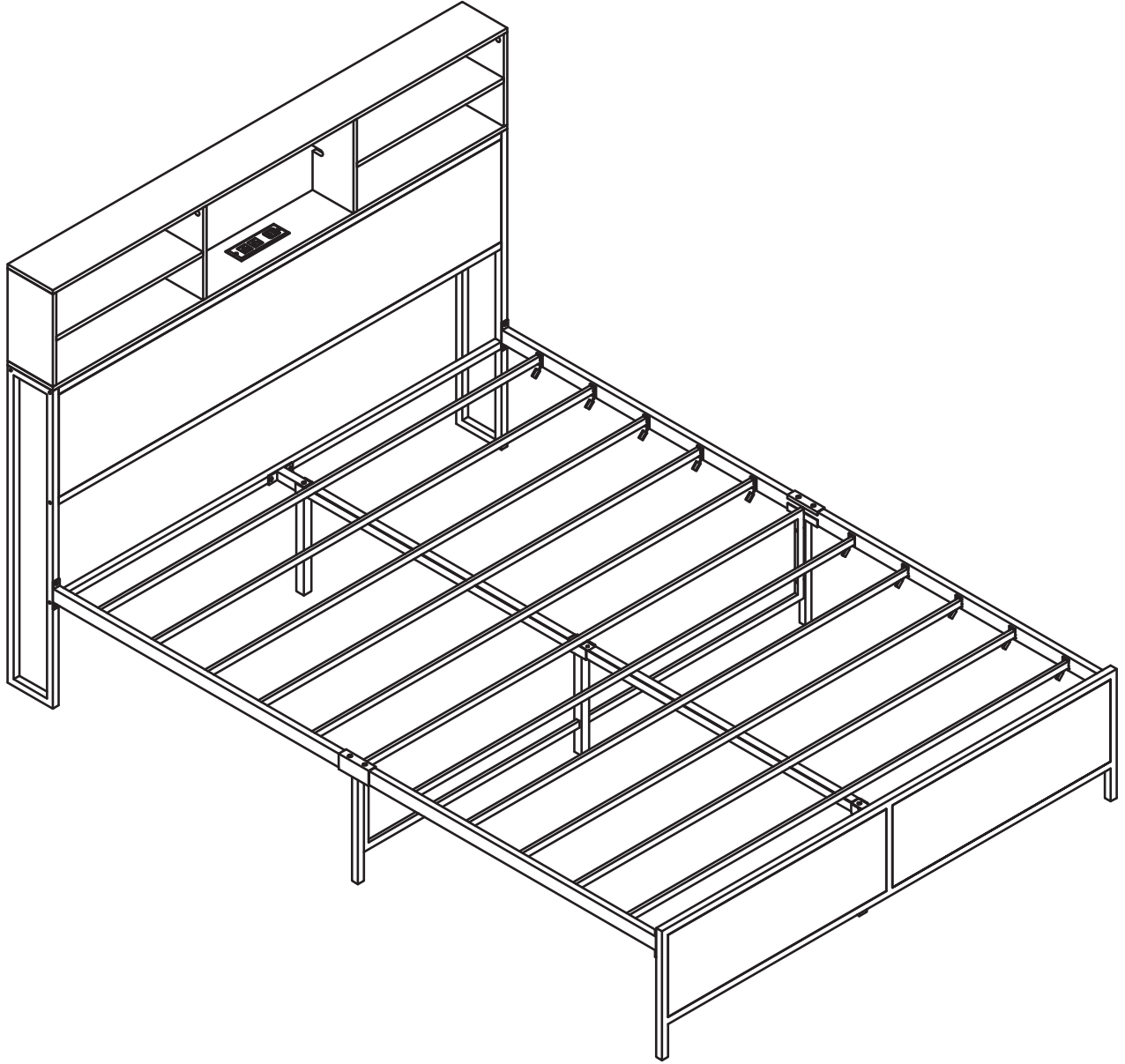


# Bed



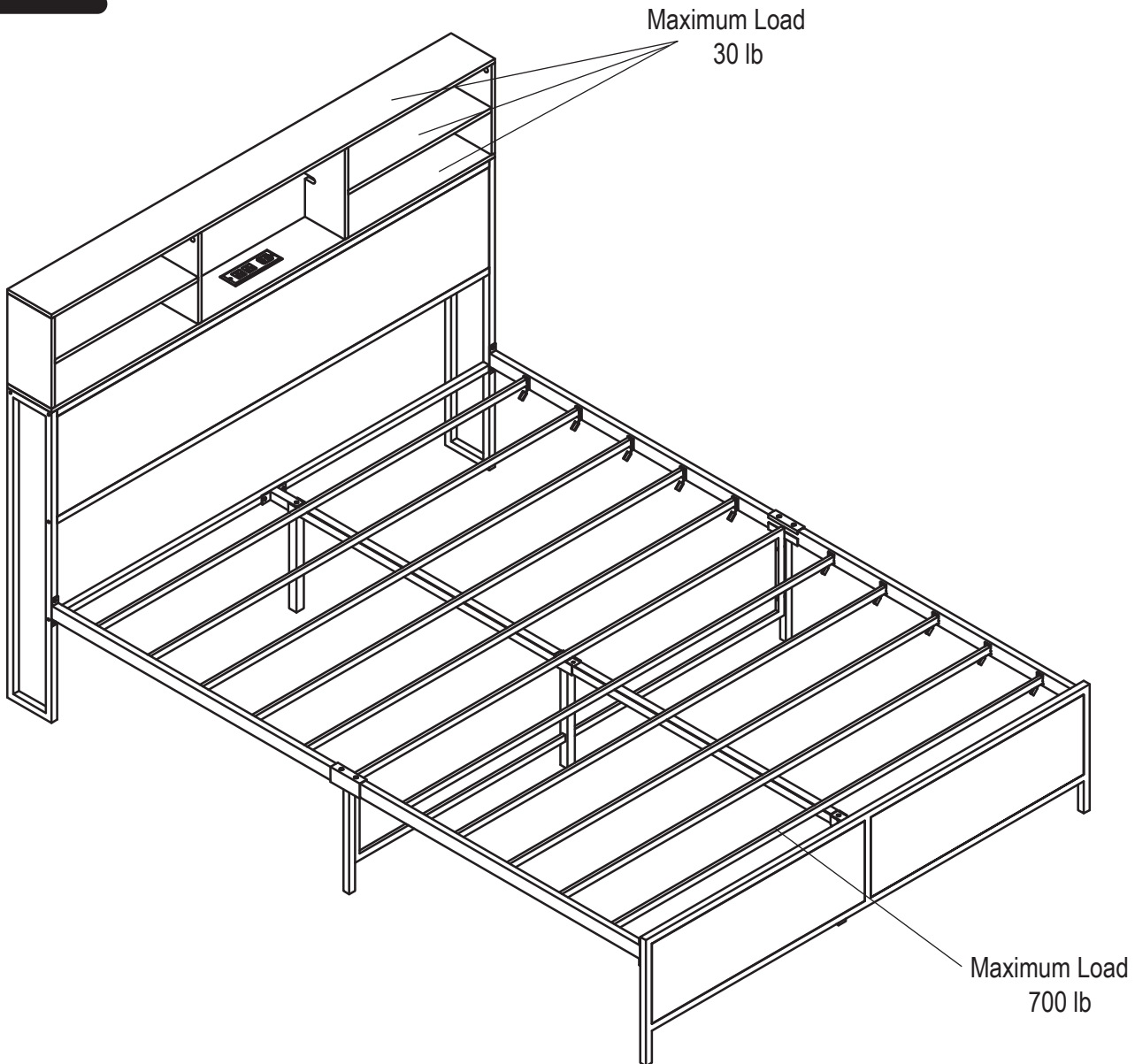


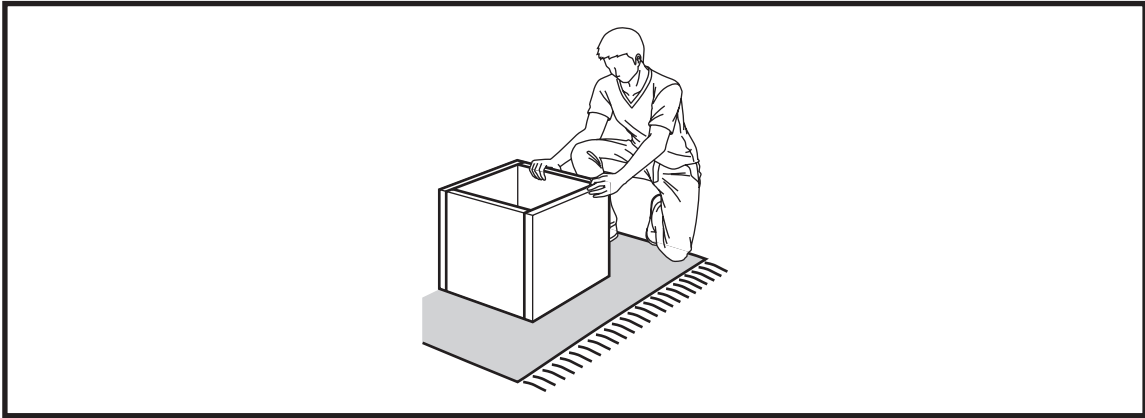
Estimated time for assembly:

**50 mins**



Weight limitations are as follows:

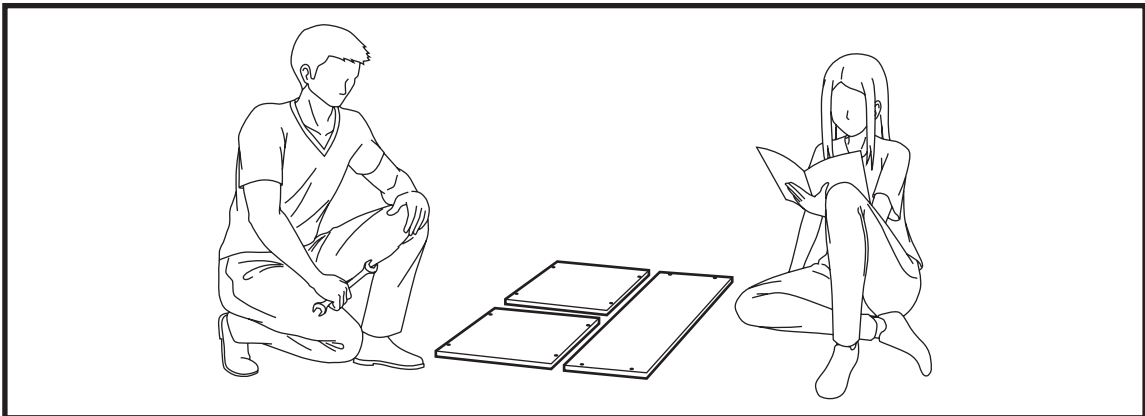




Assemble the furniture on an empty carton, carpet, or rug to prevent scratches or damage.

For safety, please keep pets and children away from the assembly area.

Ensure the product is fully assembled before use. If you are missing any hardware or products, do not use it until you have restored the missing parts.



This furniture requires 2 people for assembly.

Read this instruction manual prior to assembly to familiarize yourself with the various steps.

Lay out all components and hardware separately on a flat surface and make sure that no parts are missing or damaged before assembly. Do not destroy or discard any packaging until you are certain that you have all the necessary parts for assembly.

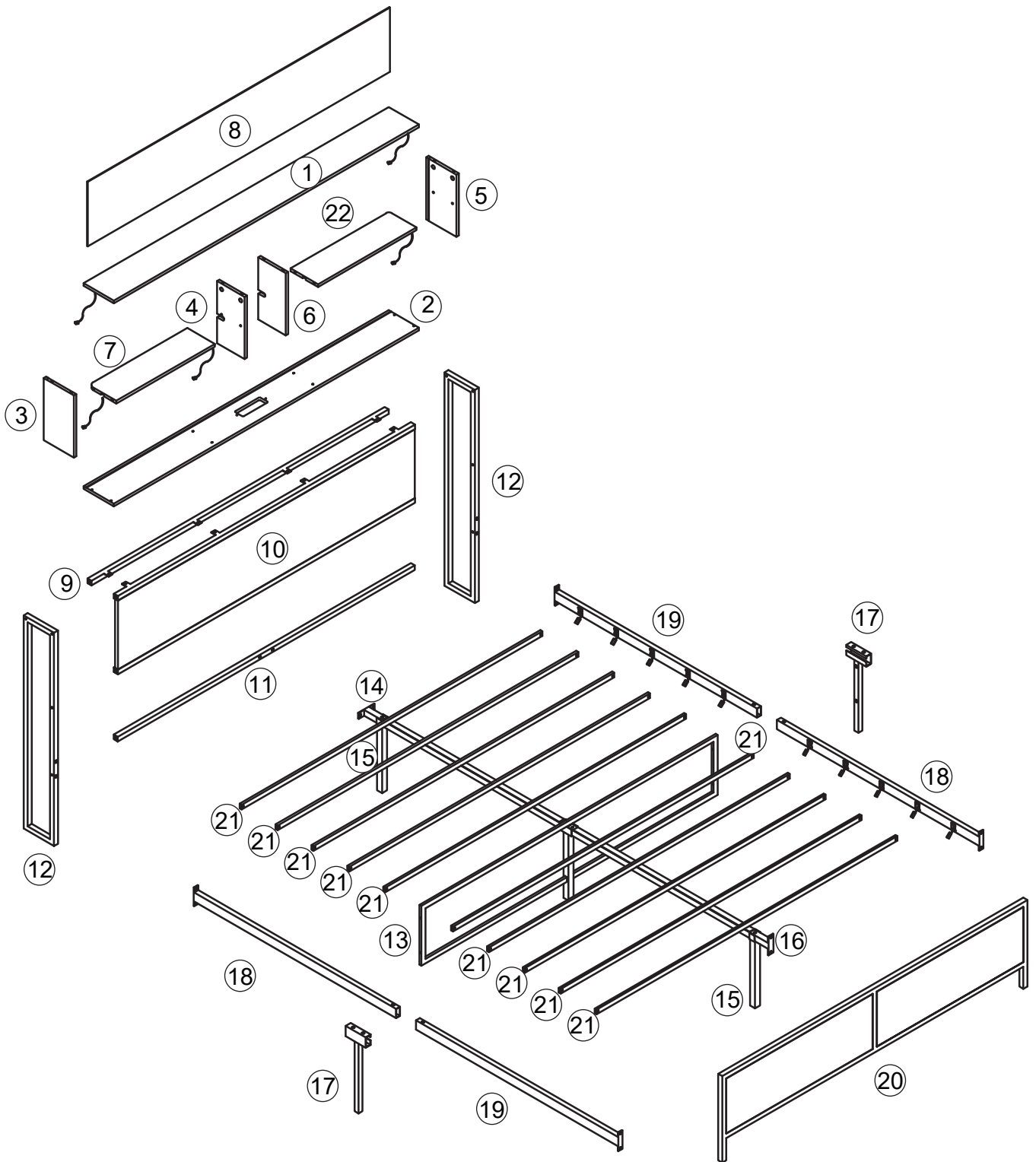
Hand tight all hardware and careful not to over tighten to avoid damaging the product.

## **CAUTION**

There are small components used in the construction of this product. Loose items should be kept away from pets and children to avoid a choking hazard.

Keep all plastic bags and packaging film away from pets and children to avoid suffocation.

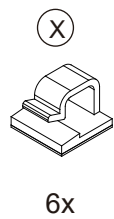
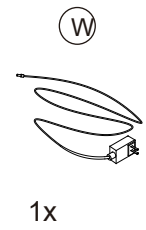
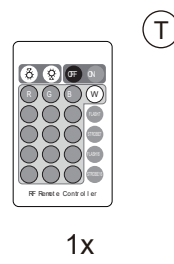
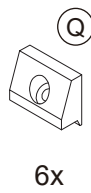
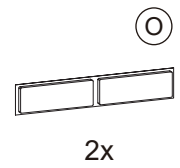
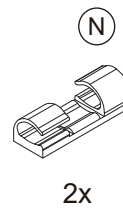
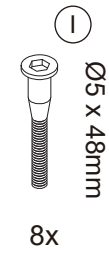
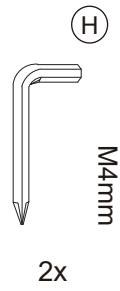
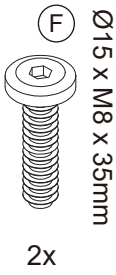
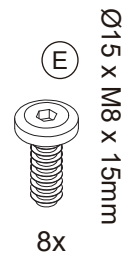
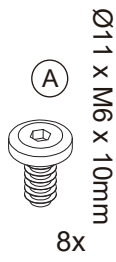
# PACKAGE CONTENTS



# PACKAGE CONTENTS

CODE	DESCRIPTION	QTY
1	LED Top Panel	1
2	Back Rail	1
3	Left Panel	1
4	Middle Panel	1
5	Right Panel	1
6	Middle Panel	1
7	Middle LED Panel	1
8	Back Panel	1
9	Cross Rail	1
10	Headboard	1
11	Cross Rail	1
12	Headboard Frame	2
13	Center Support Frame	1
14	Center Support Beam	1
15	Support Post	2
16	Center Support Beam	1
17	Side Rail Support Post	2
18	Support Rail	2
19	Support Rail	2
20	Footboard Slat	1
21	Slat	10
22	Middle LED Panel	1

# PACKAGE CONTENTS

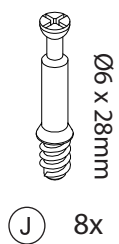


Install all hardware perpendicular to the opening.

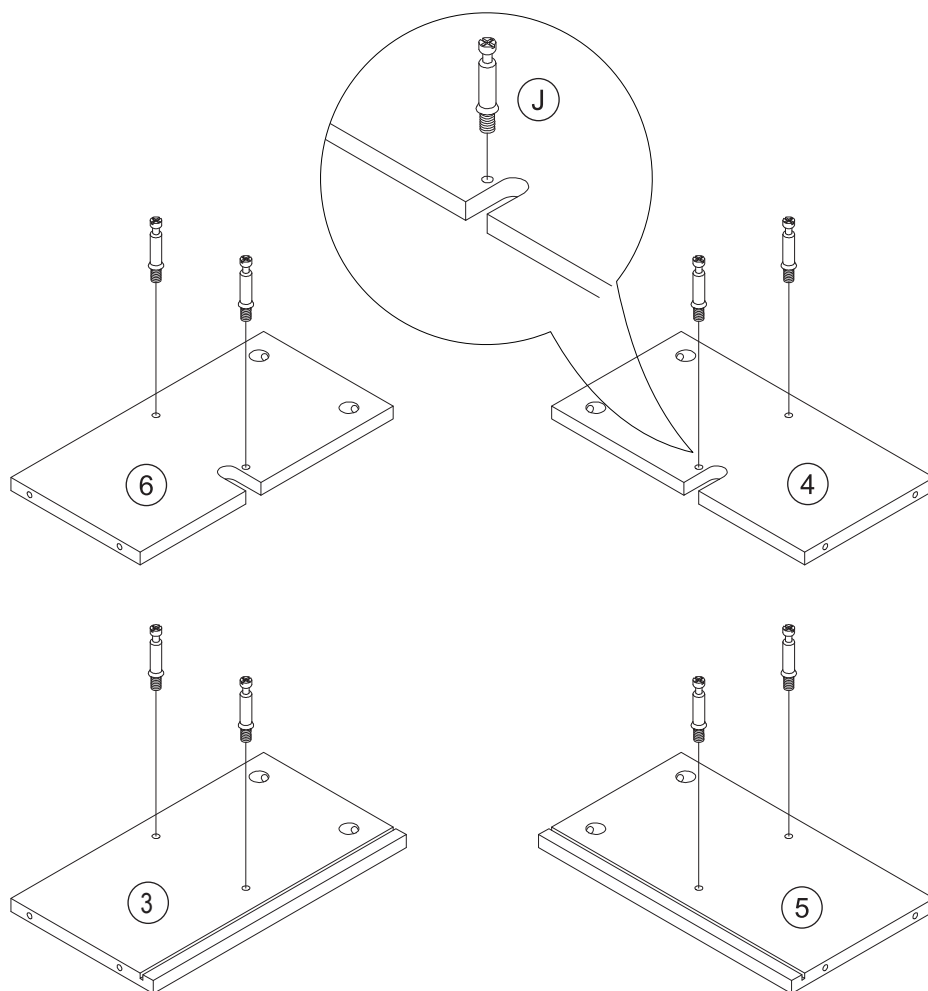
Required tools for assembly (Not included)



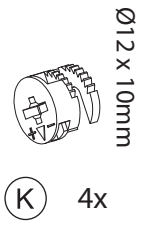
1



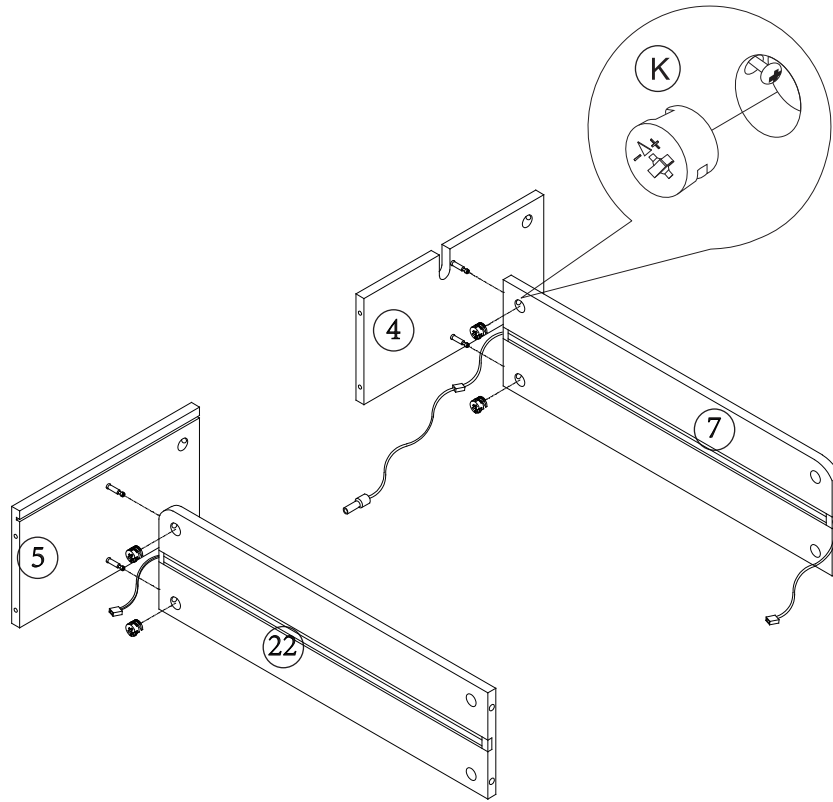
Attach cam bolts to the left panel (3) , middle panels (4,6) and right panel (5).



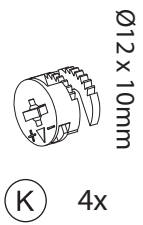
# 2



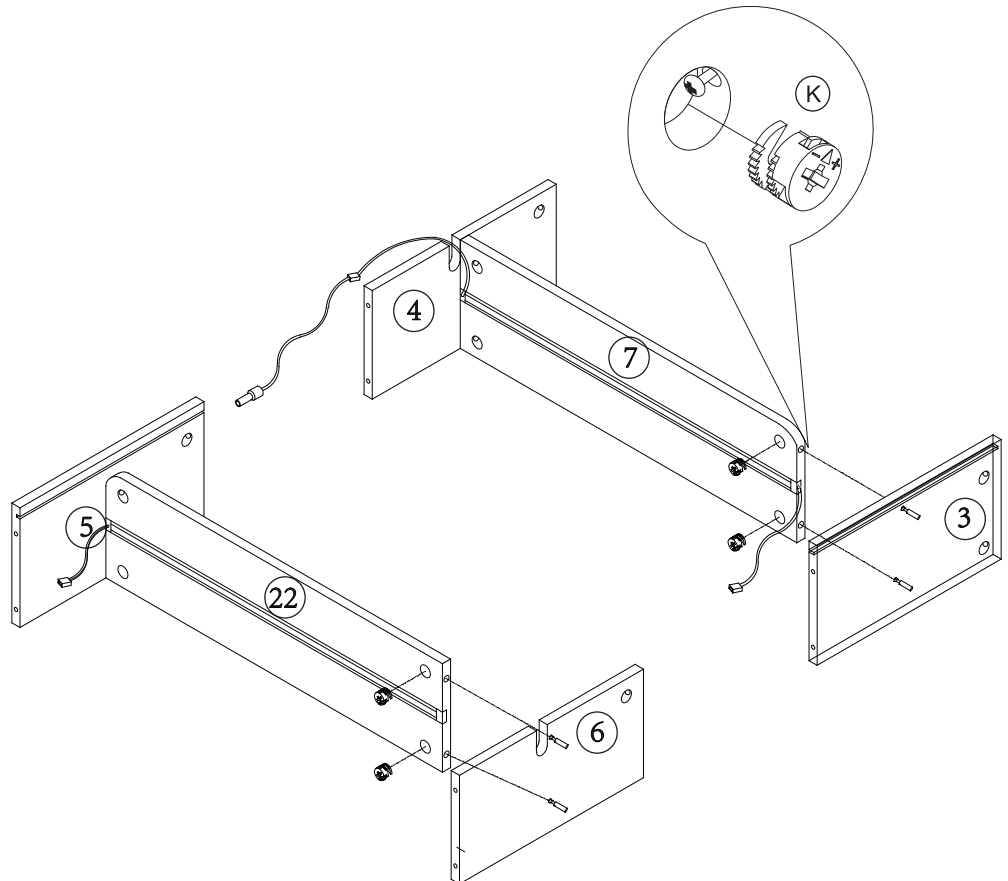
Assemble the middle LED panels (7, 22) to the middle panels (4) and right panels (5).



# 3

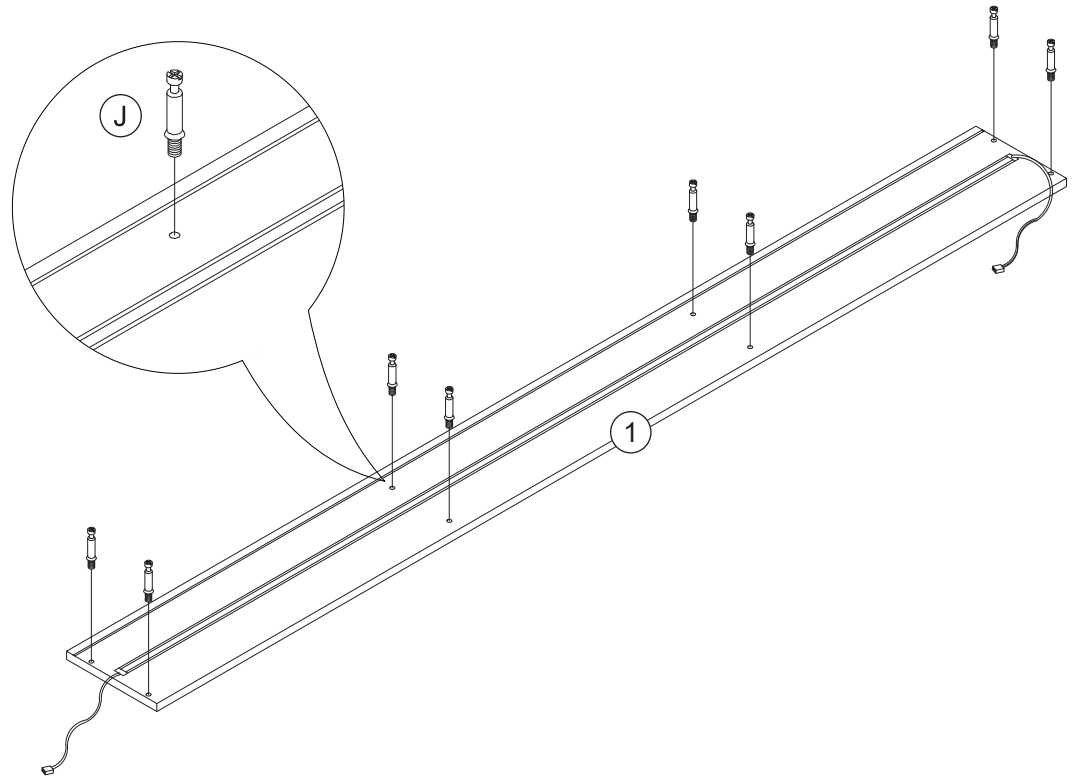
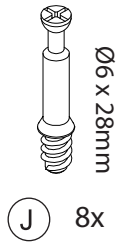


Assemble the left and middle panels (3,6) to the assembly.



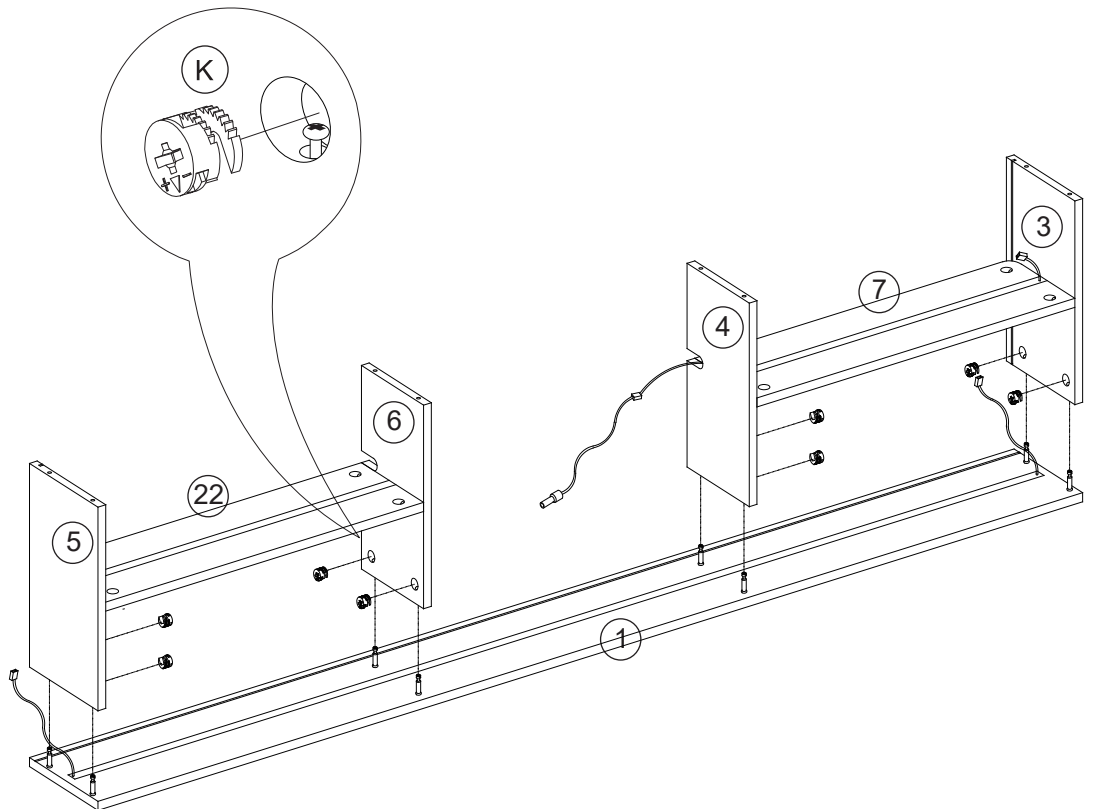
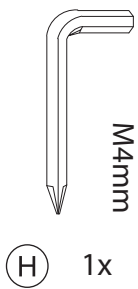
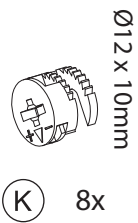
# 4

Attach cam bolts to the LED top panel (1).



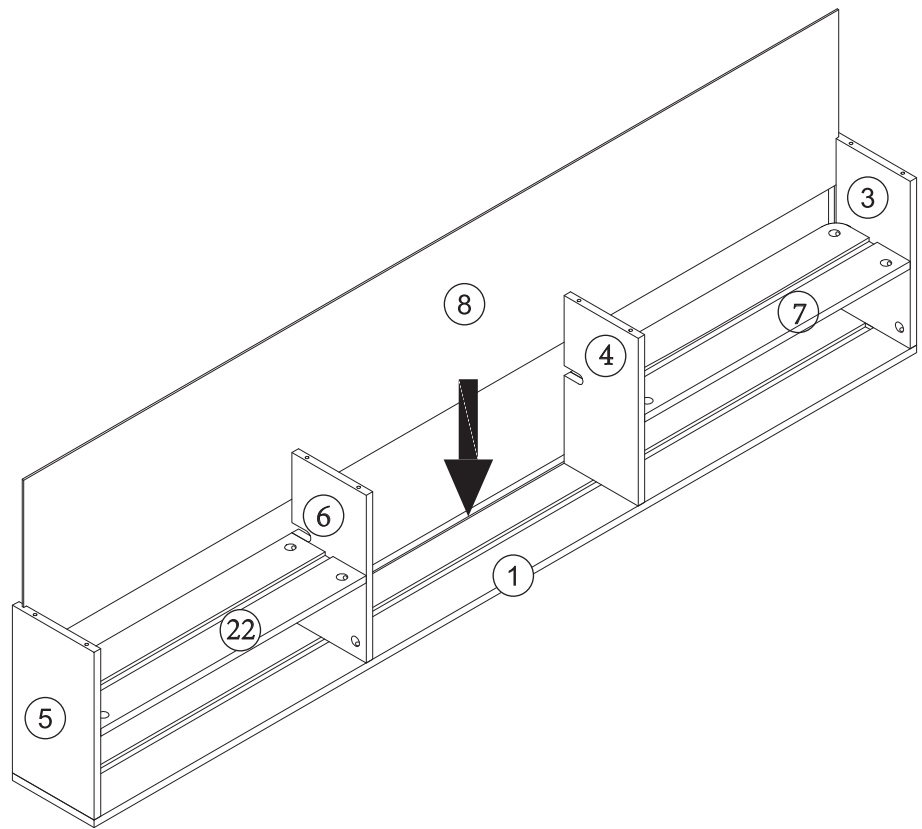
# 5

Assemble the assemblies to the LED top panel (1).



# 6

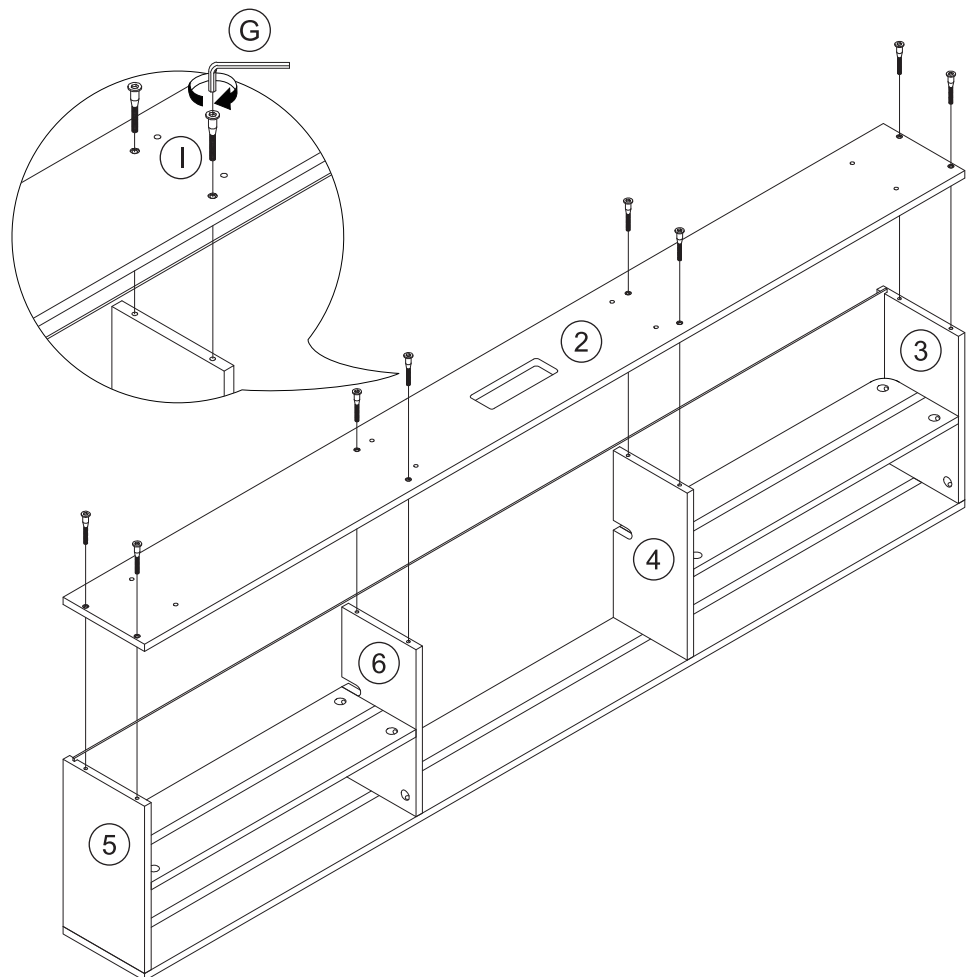
Slide in the back panel (8).



# 7

Assemble the back rail (2) to the assembly.

-  M3mm
- G** 1x
-  Ø5 x 48mm
- I** 8x



# 8

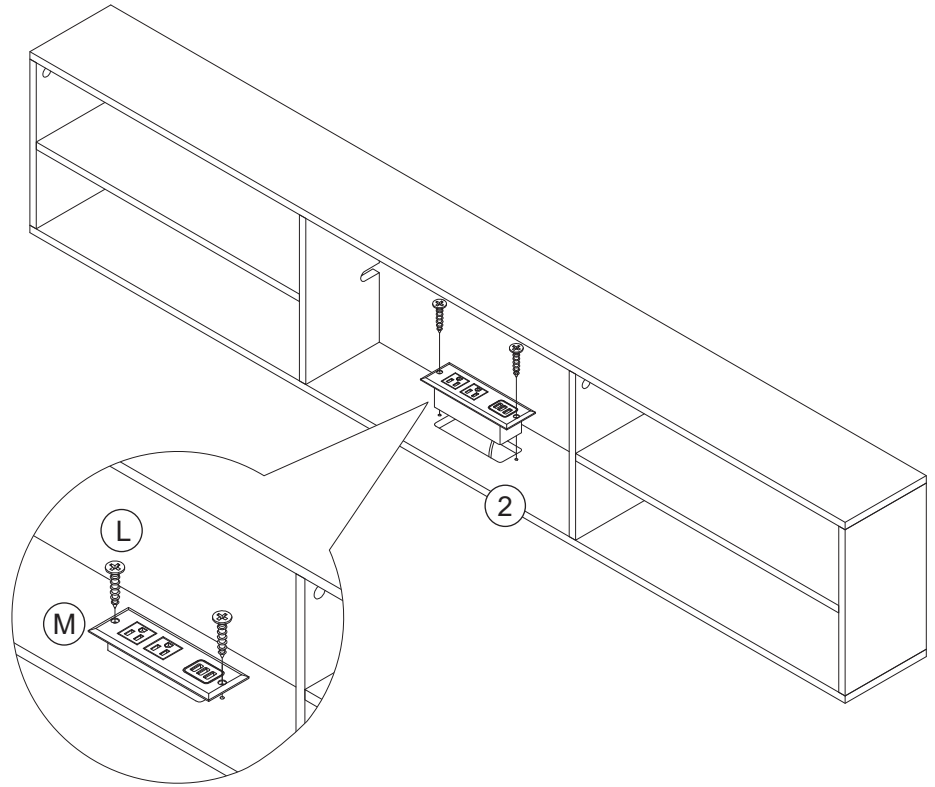
Assemble the power outlet hub (M) to the assembly.



(L) 2x

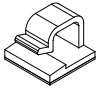


(M) 1x

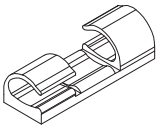


# 9

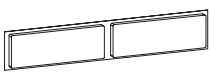
Connect the interface properly.



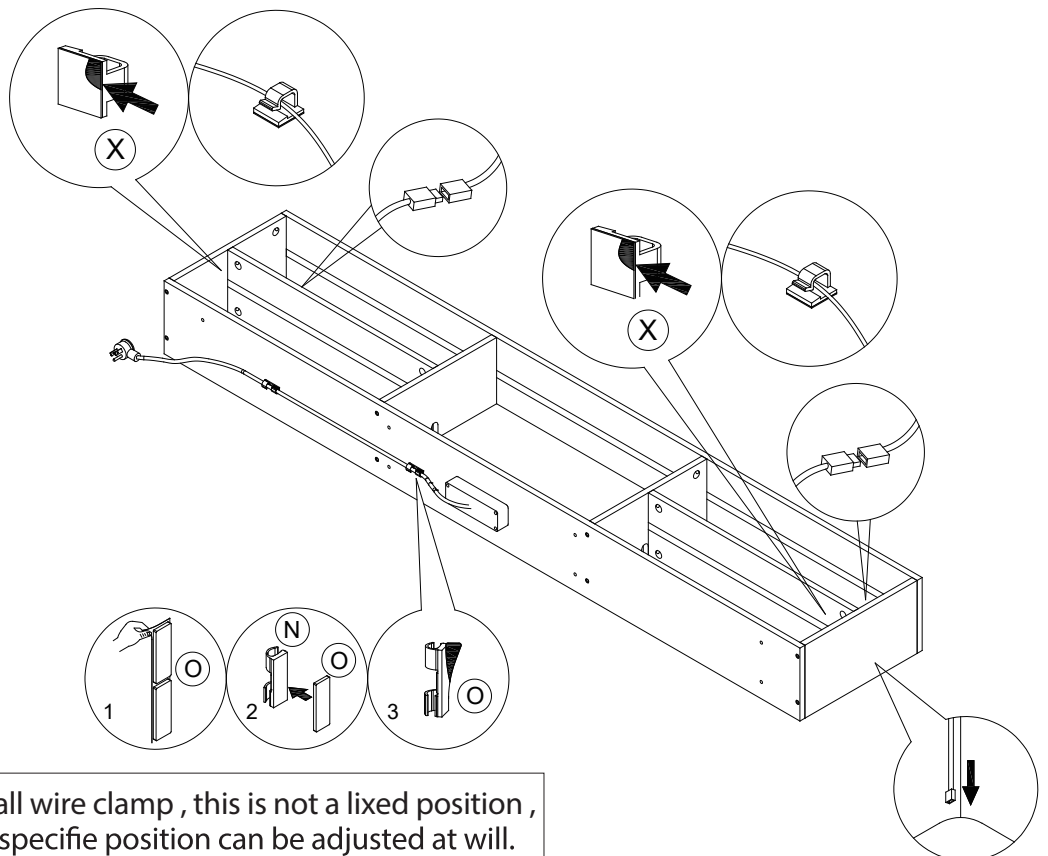
(X) 6x



(N) 2x



(O) 2x



Install wire clamp, this is not a fixed position, the specific position can be adjusted at will.

# 10

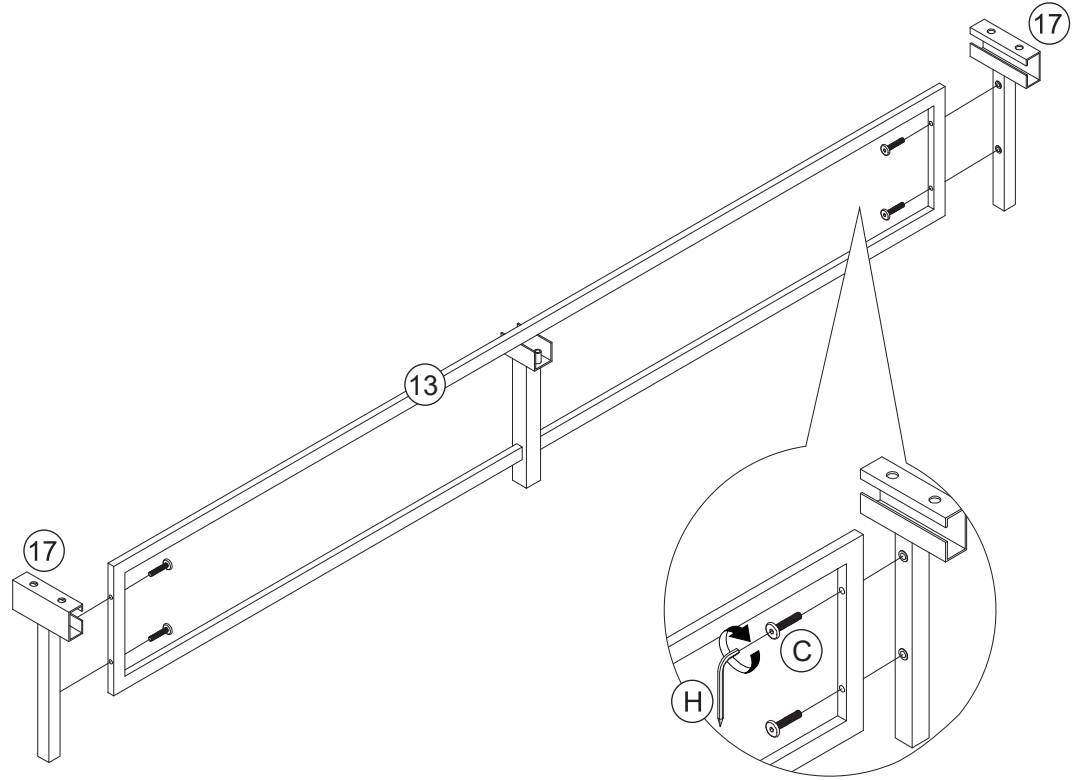


(C) 4x



(H) 1x

Assemble the side rail support posts (17) to the center support frame (13).



# 11

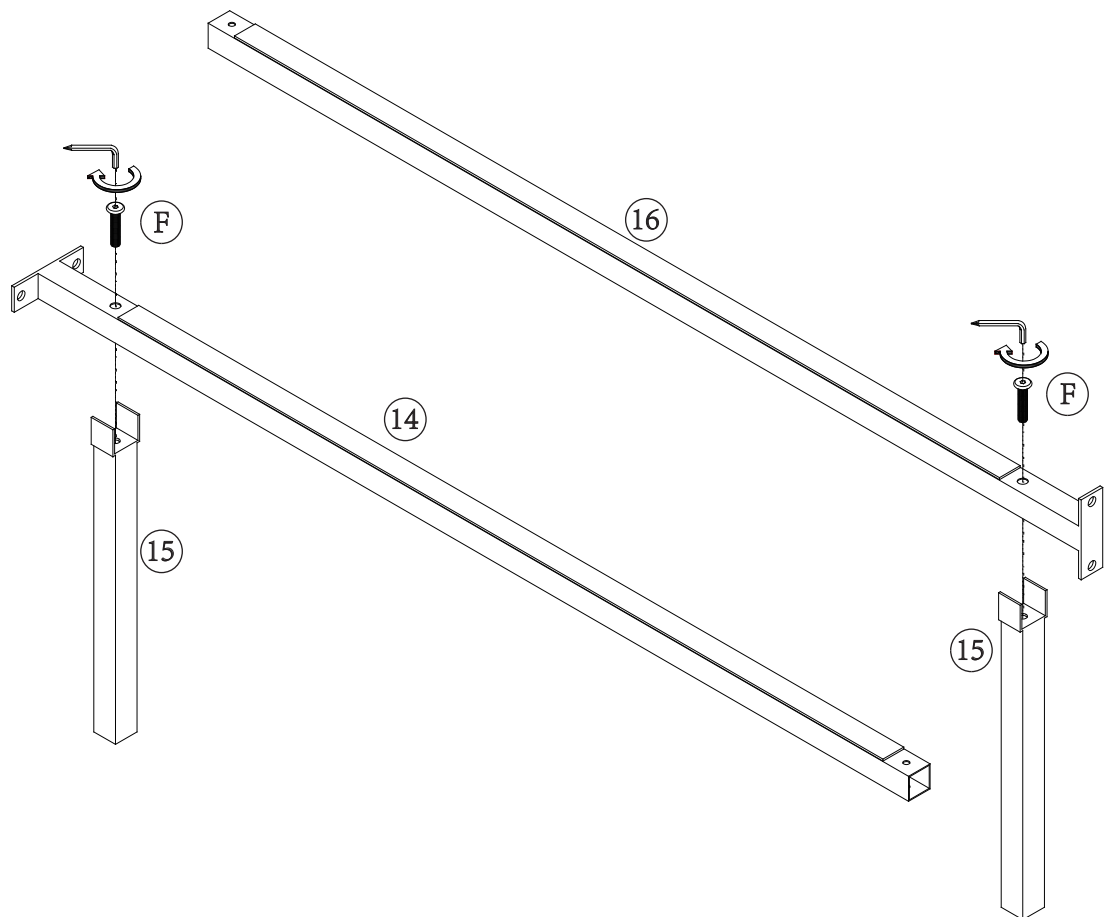


(F) 2x



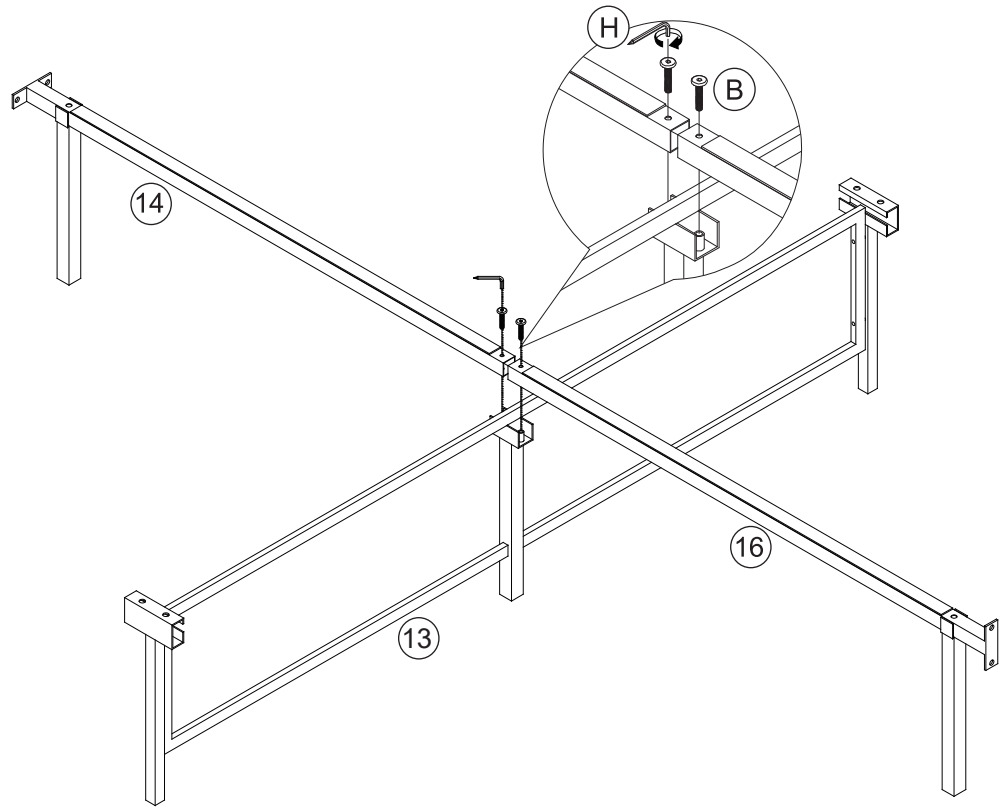
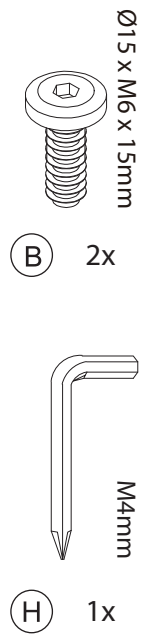
(H) 1x

Assemble the support posts (15) to the center support beams (14,16).



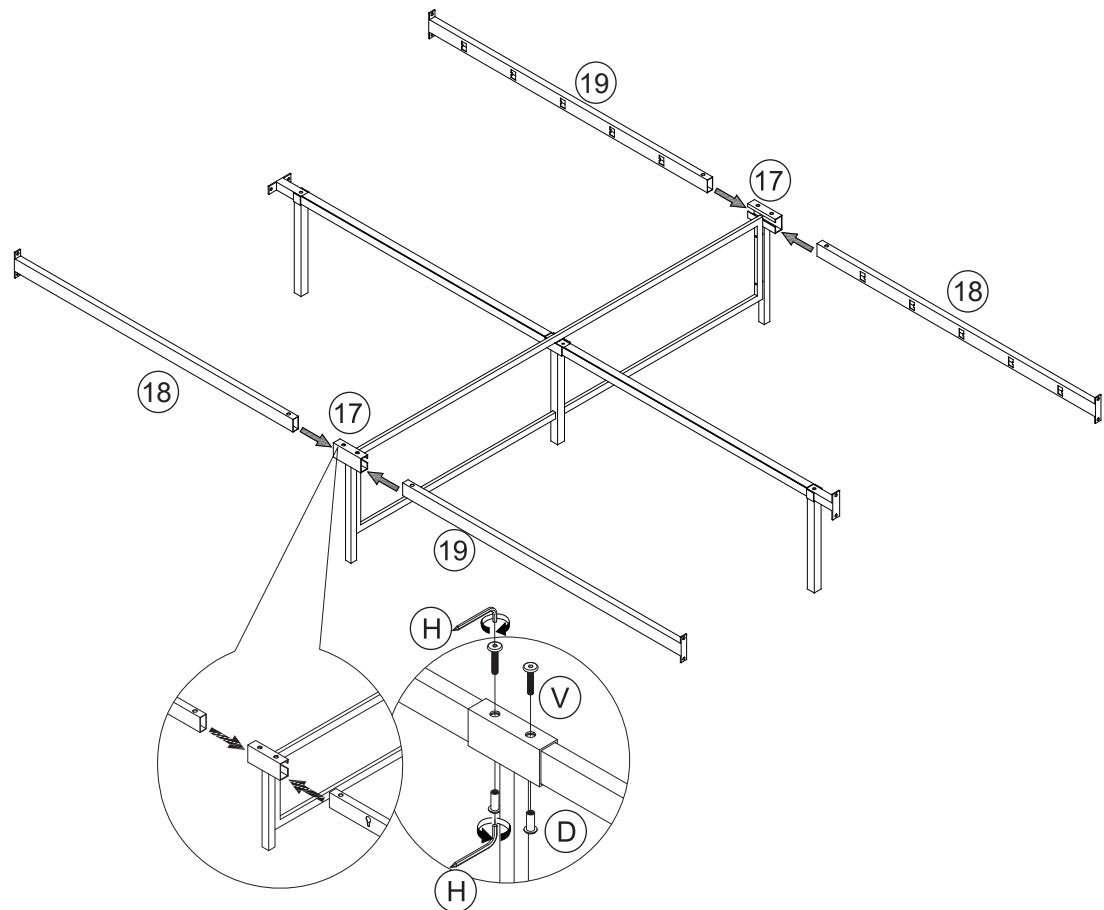
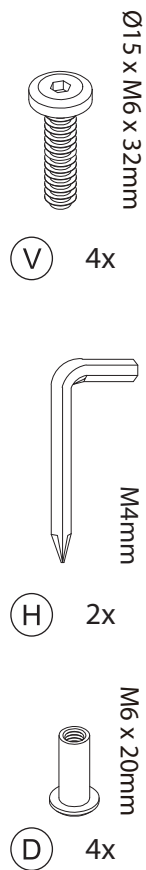
# 12

Assemble the center support beams (14,16) to the center support frame (13).

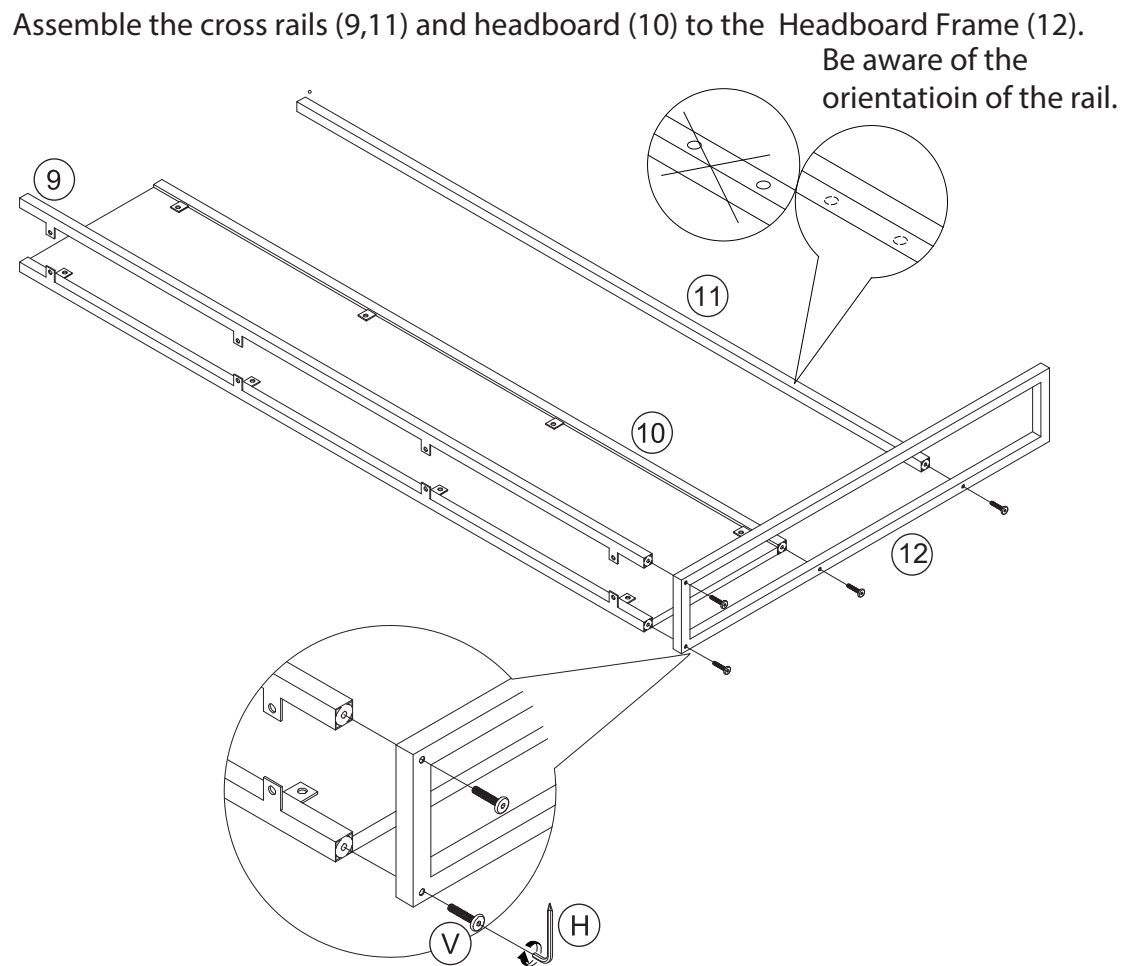
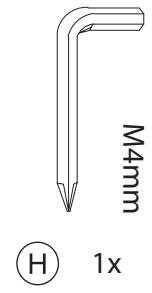


# 13

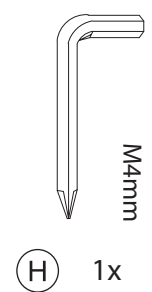
Assemble the support rails (18,19) to the side rail support posts (17).



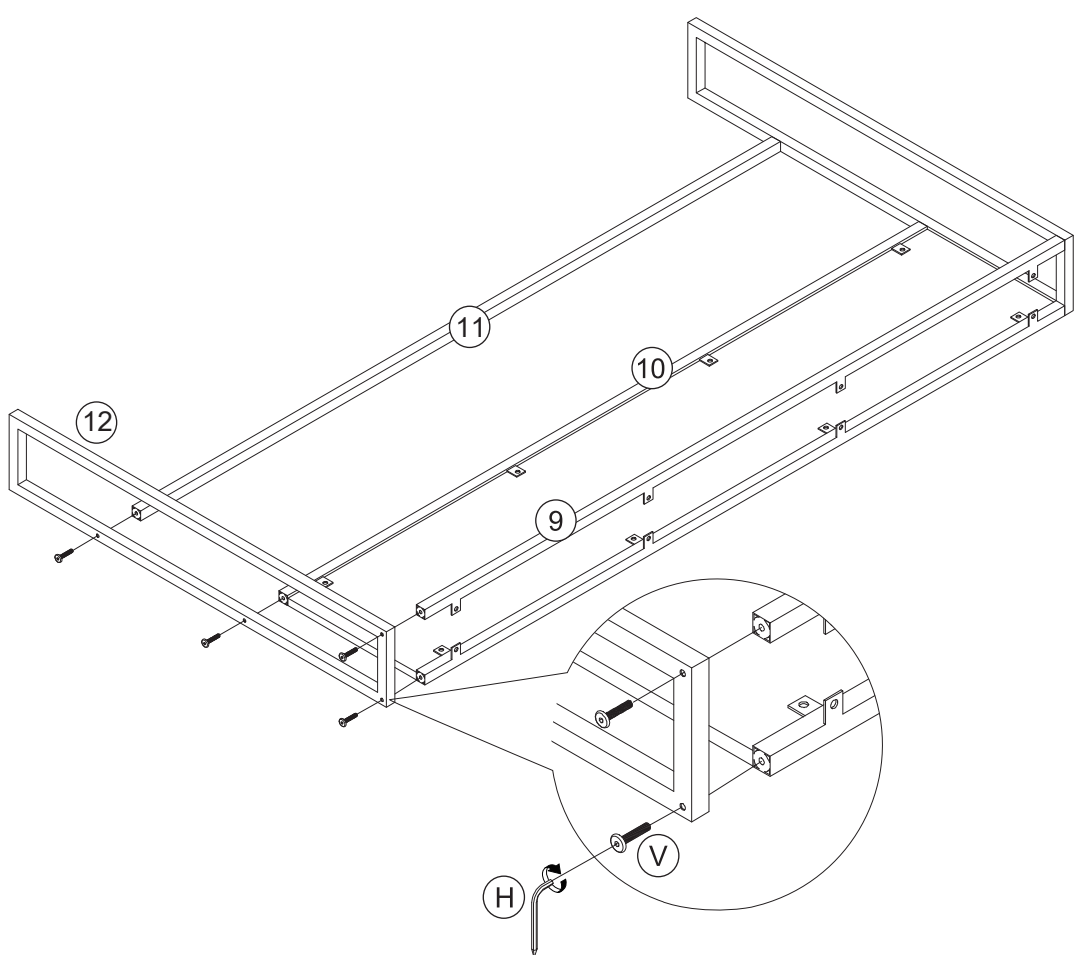
# 14



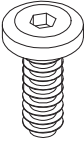

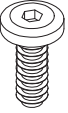
# 15



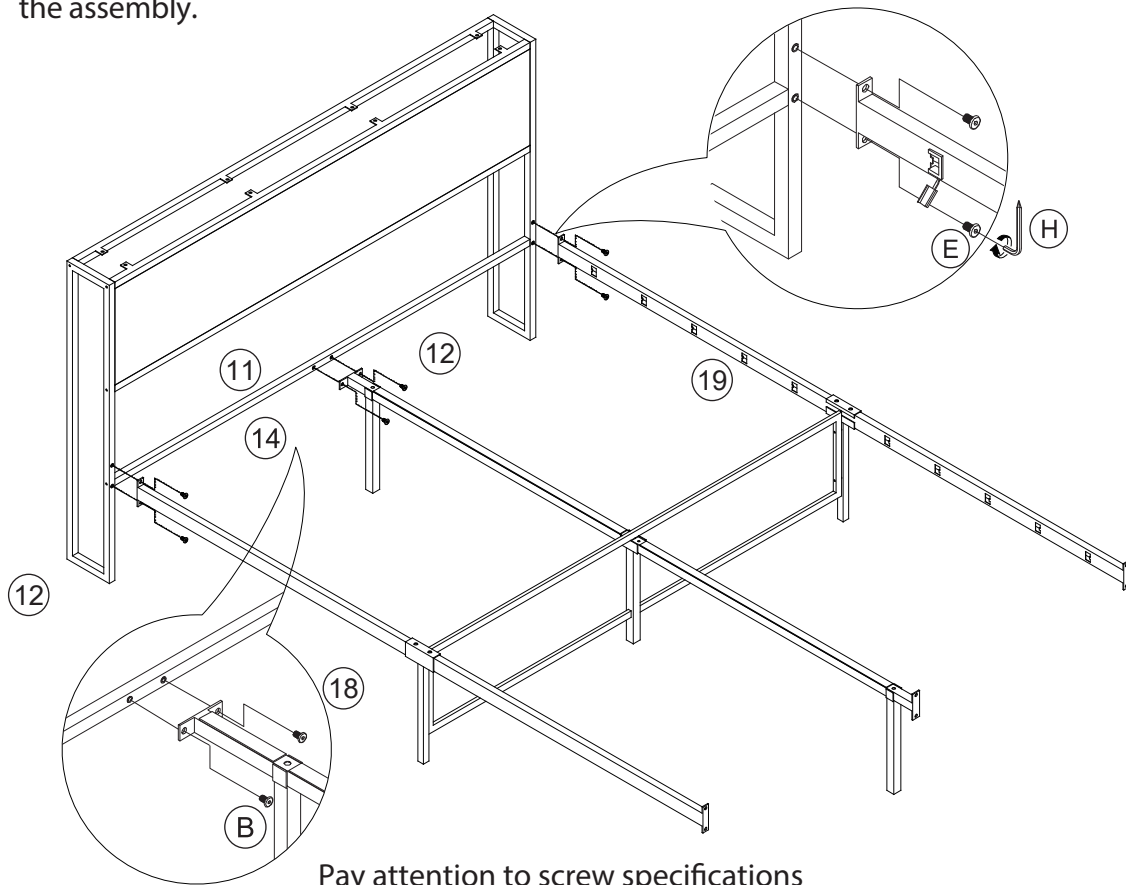
Assemble the Headboard Frame (12) to the assembly.



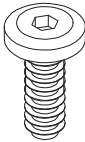

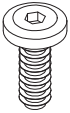
# 16

-  Ø15 x M6 x 15mm
- (B)** 2x
-  M4mm
- (H)** 1x
-  Ø15 x M8 x 15mm
- (E)** 4x

Assemble the support rail (19), center support beam (14) and support rail (18) to the assembly.

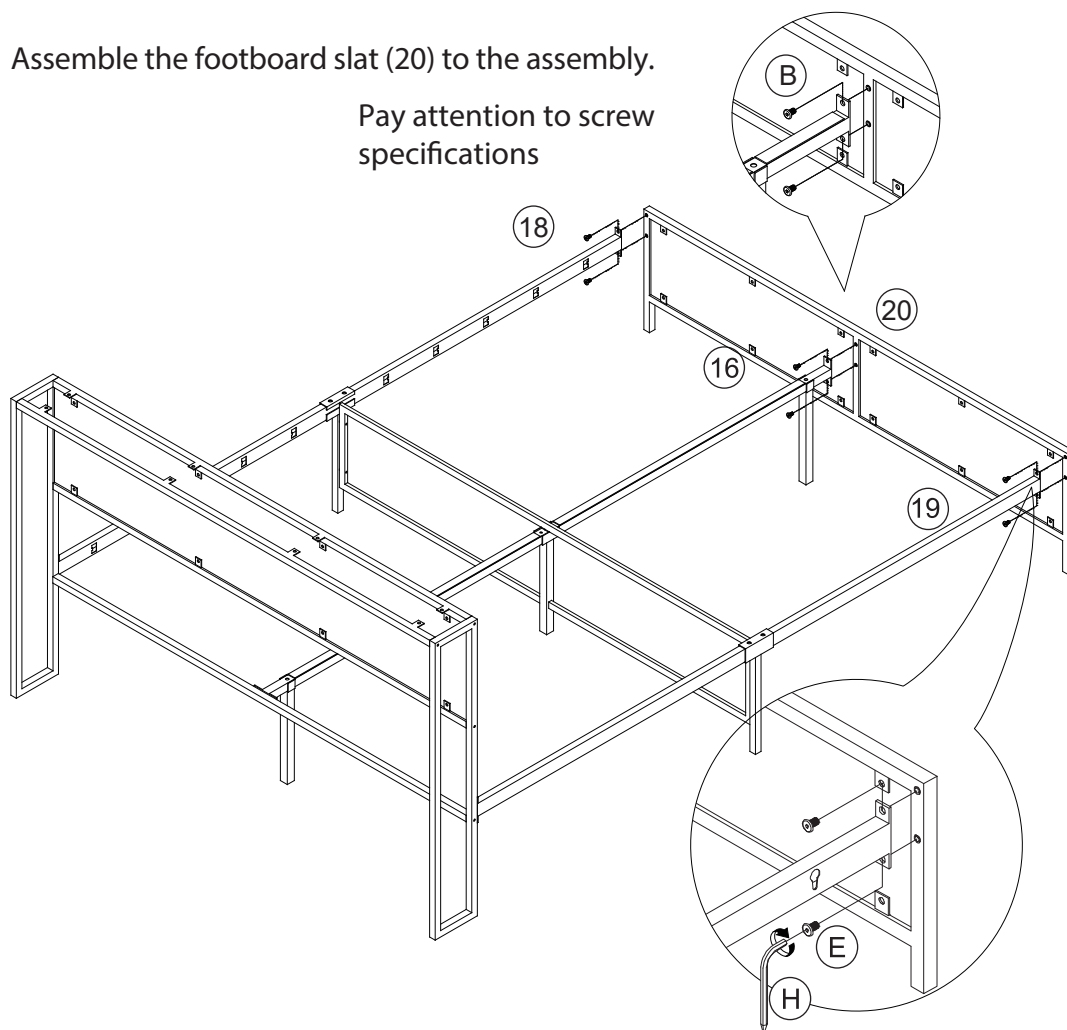


# 17

-  Ø15 x M6 x 15mm
- (B)** 2x
-  M4mm
- (H)** 1x
-  Ø15 x M8 x 15mm
- (E)** 4x

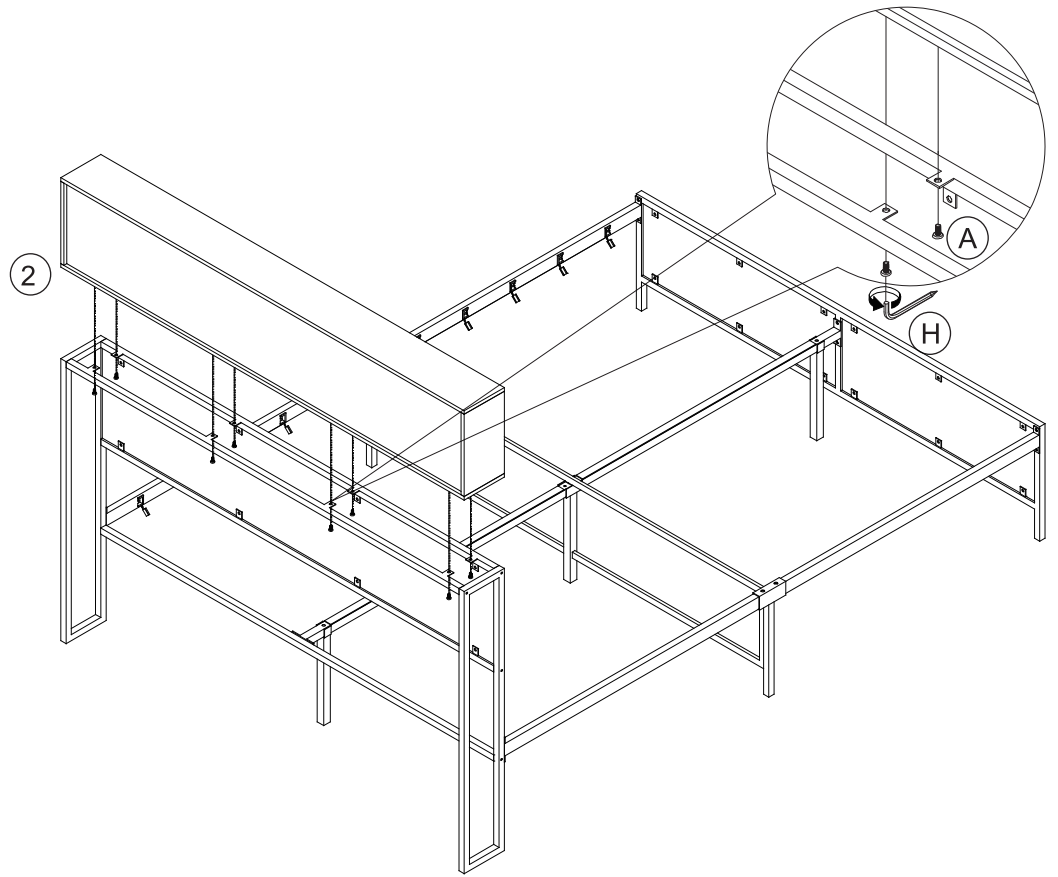
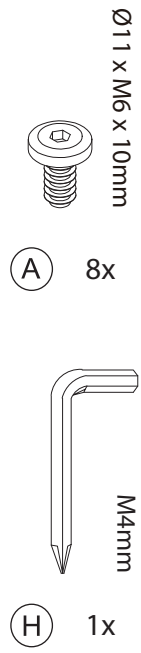
Assemble the footboard slat (20) to the assembly.

Pay attention to screw specifications



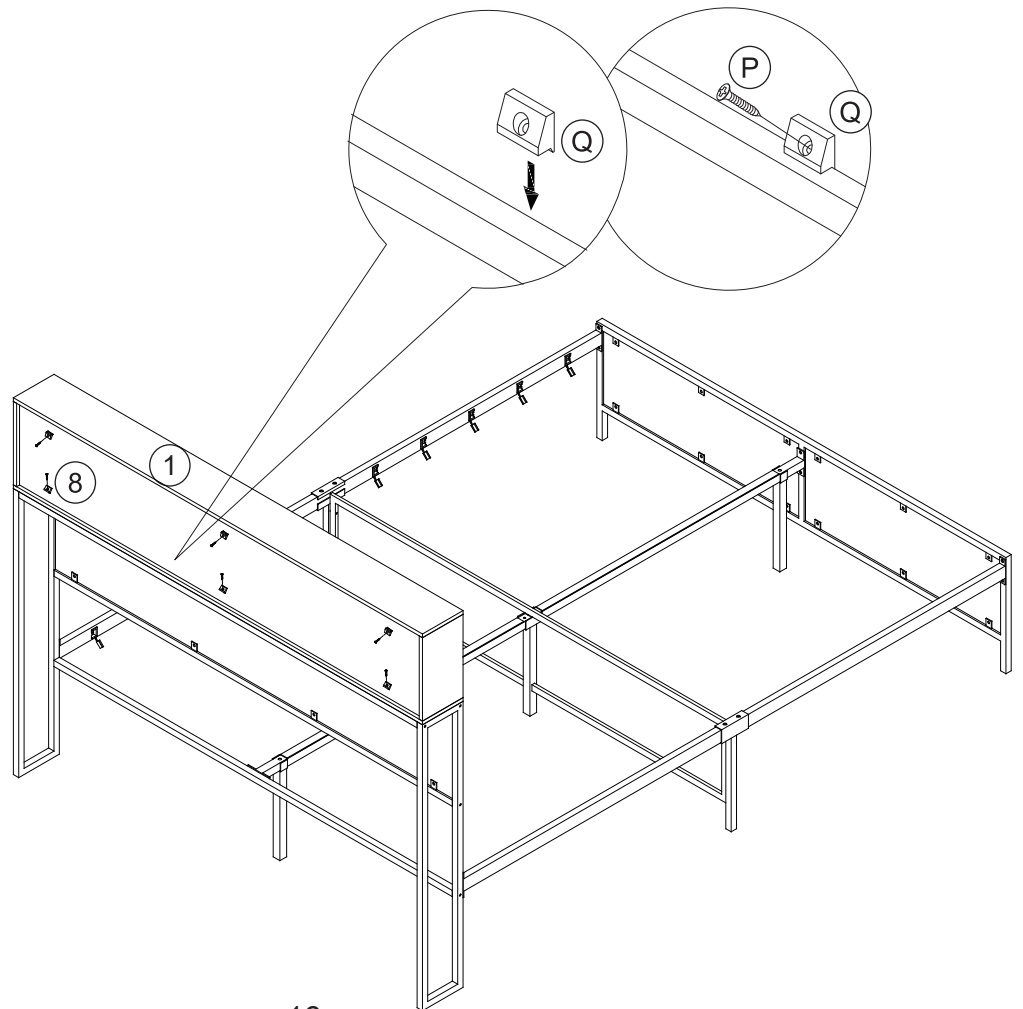
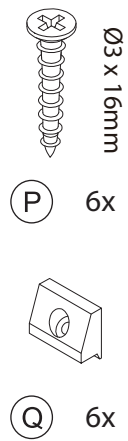
# 18

Assemble the back rail (2) to the assembly.



# 19

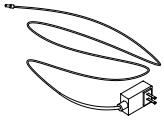
Secure the back panels (8) in place.



# 20

Assemble the slats (21) to the assembly.

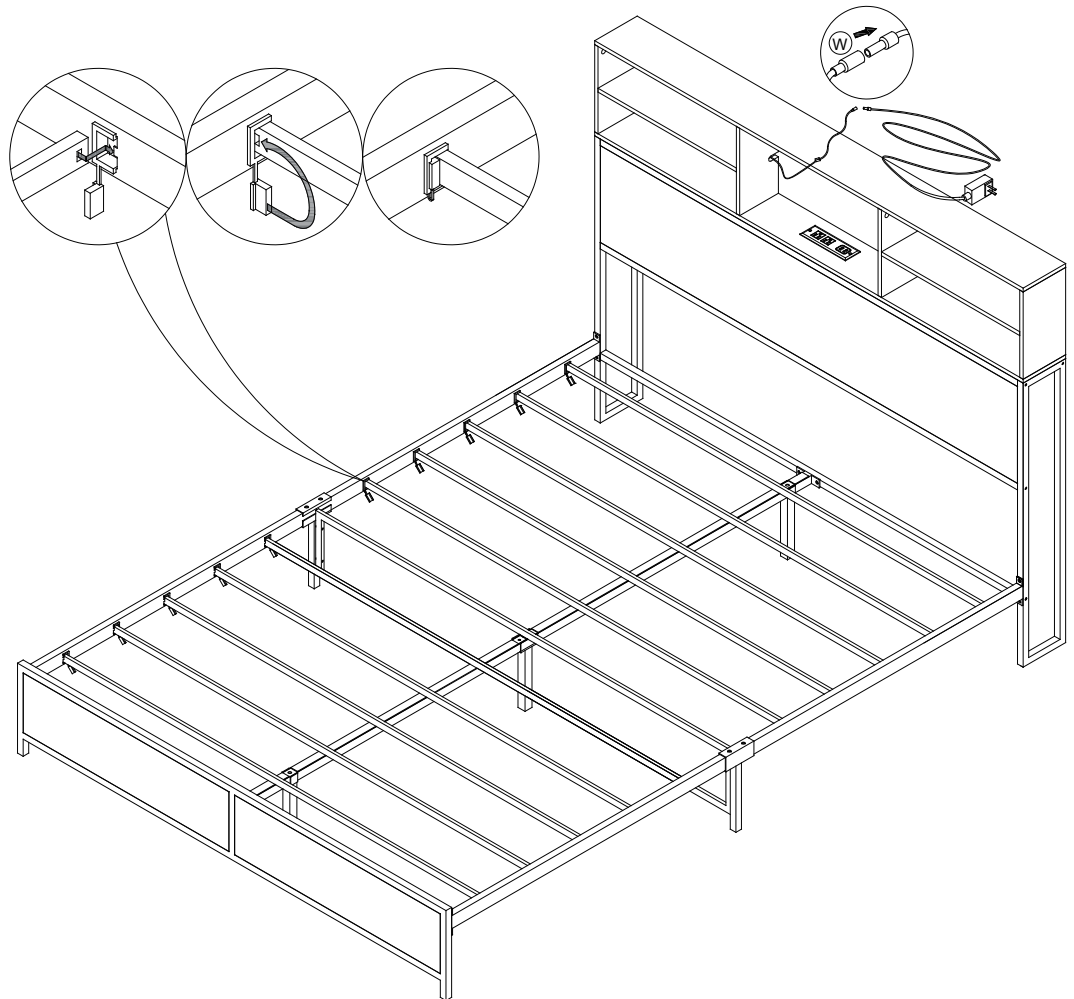
Connect the power adapter to the LED light strip cable, then plug the power adapter to power outlet.



W 1x



T 1x



## YOU'RE FINISHED!

# RF Wireless 24-key RGB Controller Specification

## Instructions for the use of remote control keys:

### Product Profile:

#### ON

Press the ON button to turn on the light.

#### OFF

Press the OFF button to turn off the light.

#### Static Color Shortcut

Each button is assigned to a color, press the button to select your desired color.

#### Increase

Press the increase button to increase brightness in static color mode.  
Press the increase button to increase effect speed in light effect mode.

#### Decrease

Press the increase button to decrease brightness in static color mode.  
Press the increase button to decrease effect speed in light effect mode.

#### Flash 7

Press the button to enable spectrum cycle mode.  
The colors will cycle between red, green blue, orange, cyan, violet, and white.

#### Strobe 7

Press the button to enable color breathing mode.  
The colors will cycle between red, green blue, orange, cyan, violet, and white.

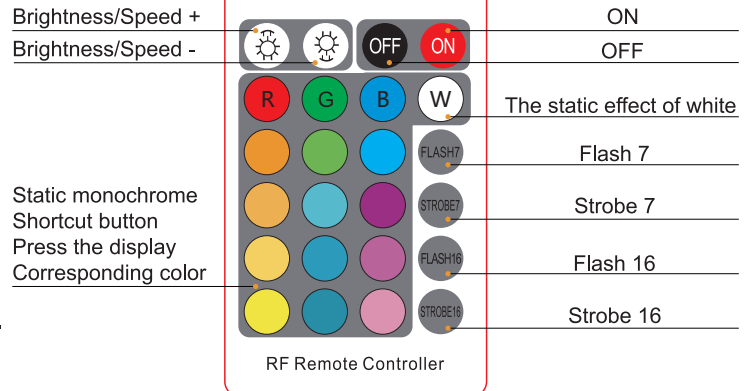
#### Flash 16

Press the button to enable spectrum cycle mode.  
The colors will cycle between all 16 colors.

#### Strobe 16

Press the button to enable color breathing mode.  
The colors will cycle between all 16 colors.

### USER INSTRUCTION (REMOTE CONTROL)



# RF Wireless 24-key RGB Controller Specification

## Technical parameters:

Working temperature: -20°C-60°C (-4°F-76°F)

Power supply voltage: DC5-24V

Output: 3 Loops

Connection mode: Gongyang

Remote control distance: 8-15 meters

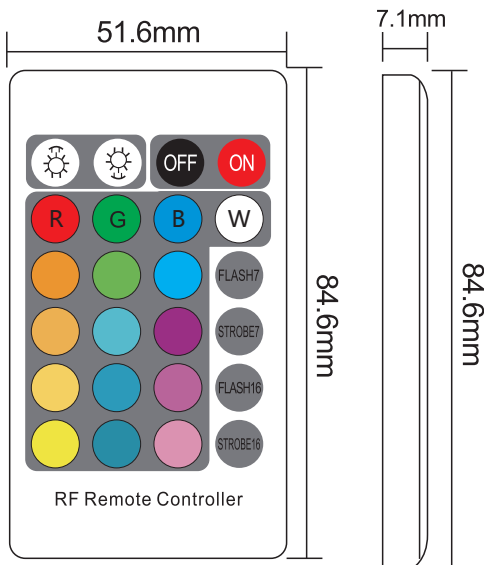
Remote control mode: walkable

The size of remote controller: L51.6 \* W7.1 \* H84.6mm

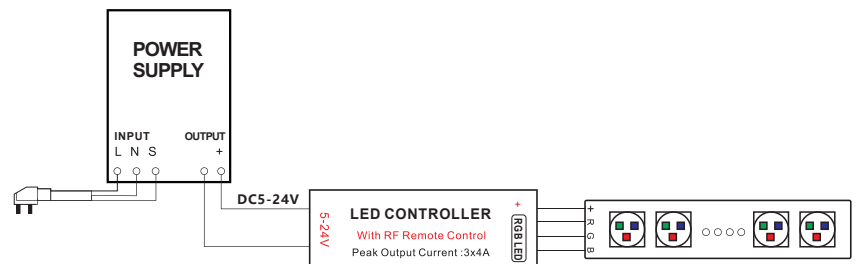
Static power consumption: <0.5W

Output current: <3A(each circuit) 5V<30W 12V<108 24V<216W

## Fourth, remote control size:



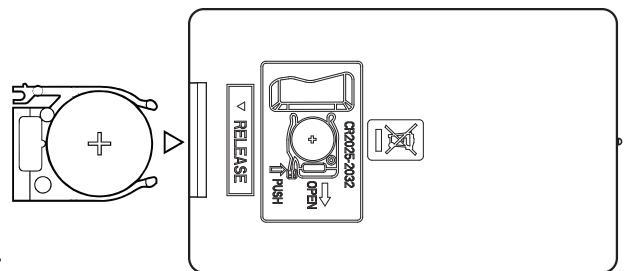
## V. Typical Applications



## Install / Replace Battery

The remote control is provided with CR2025 batteries.

1. Press and slide of the back cover from the remote control.
2. Insert CR2025 batteries into the battery compartment and make sure to install batteries in the correct polarity.
3. The negative end of the battery should be install against the spring inside the battery compartment.



## ⚠ CAUTION /WARNING

- Dispose old / used battery at a suitable recycling point or according to local regulations.
- DO NOT ingest battery. If accidentally swallowed, seek for medical help immediately.

## FURNITURE CARE AND MAINTENANCE

Thank you for your purchase. We want your item to last as long as possible. To ensure the product gives you years of longevity, please follow the recommendations in this care and maintenance guide.



### MAINTENANCE

- Tighten all bolts and screws again within the first 2 weeks of assembly.
- Check the tightness of all bolts every 2 months and tighten them if necessary.



### CLEANING

- Clean the furniture surface with a lightly dampened cloth or soft brush.
- Regularly clean the cloth surface with a vacuum cleaner.
- Dry the surface immediately after cleaning.

⚠ DO NOT use bleach or alcohol detergent to clean the surface.

### ⚠ WARNING

Manufacturer and seller expressly disclaim any and all liability for personal injury, property damage or losses, whether direct, indirect, or incidental, resulting from the incorrect attachment, improper use, inadequate maintenance, unapproved modification or neglect of this product.