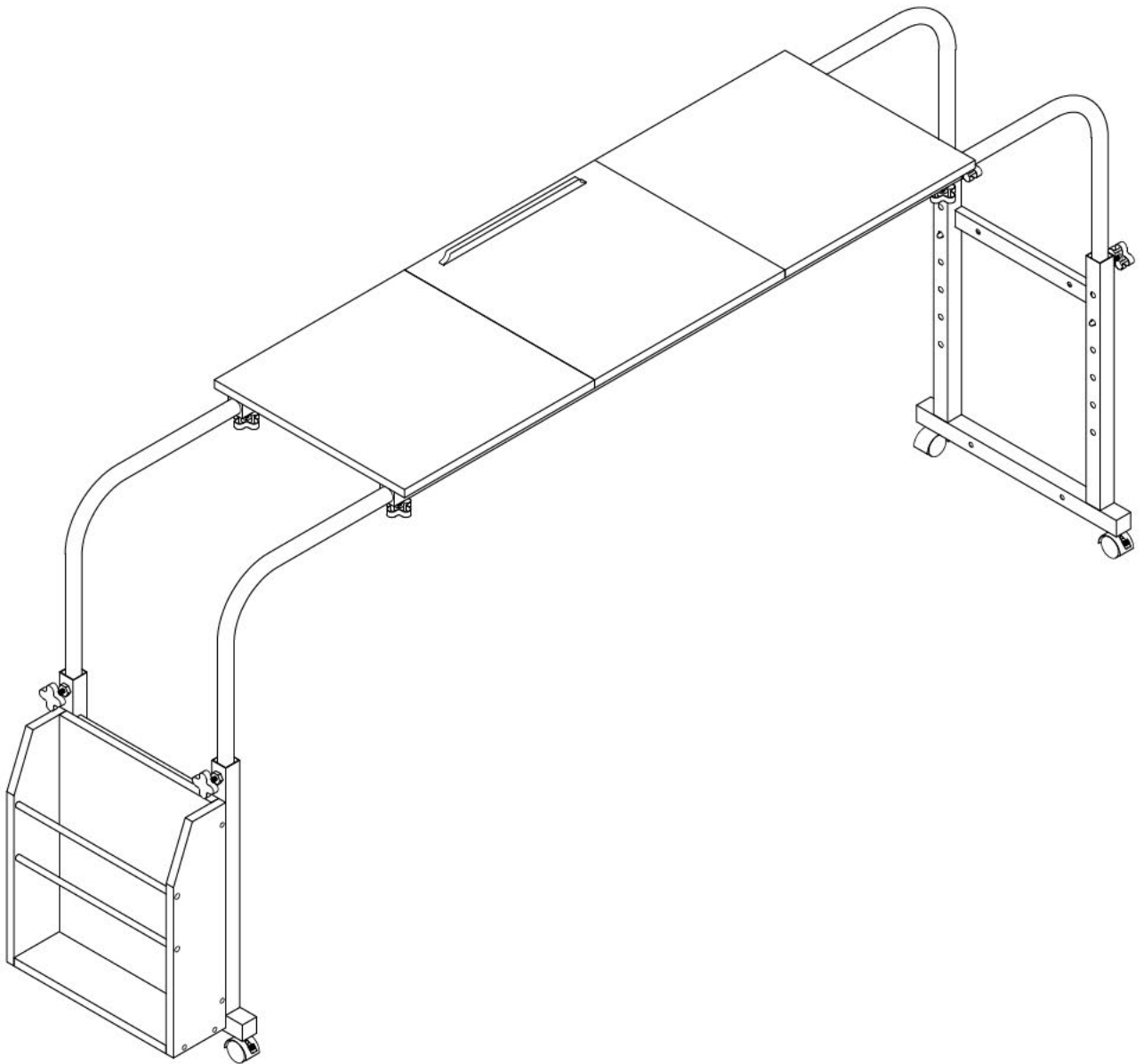
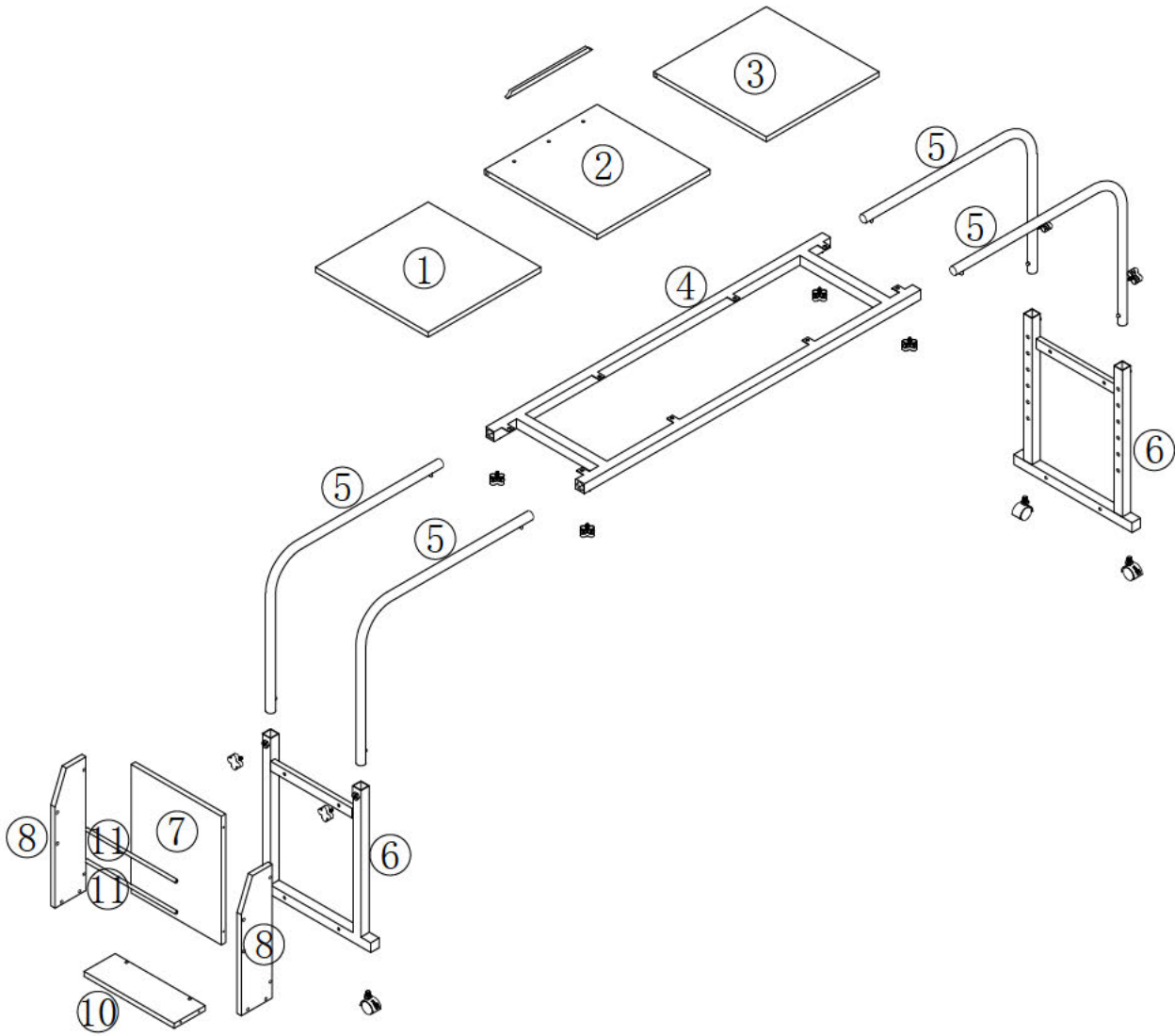


Adjustable Overbed Table

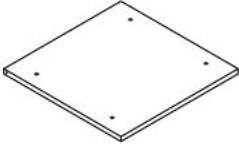
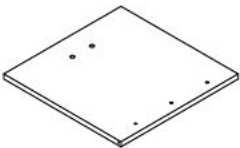
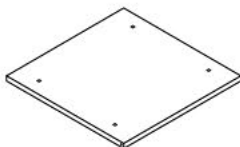

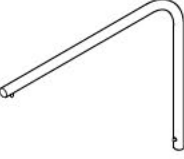
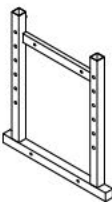
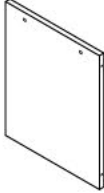



User Manual





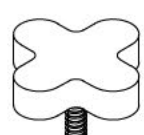










Attention: Don't tighten the screw before all screws are in place

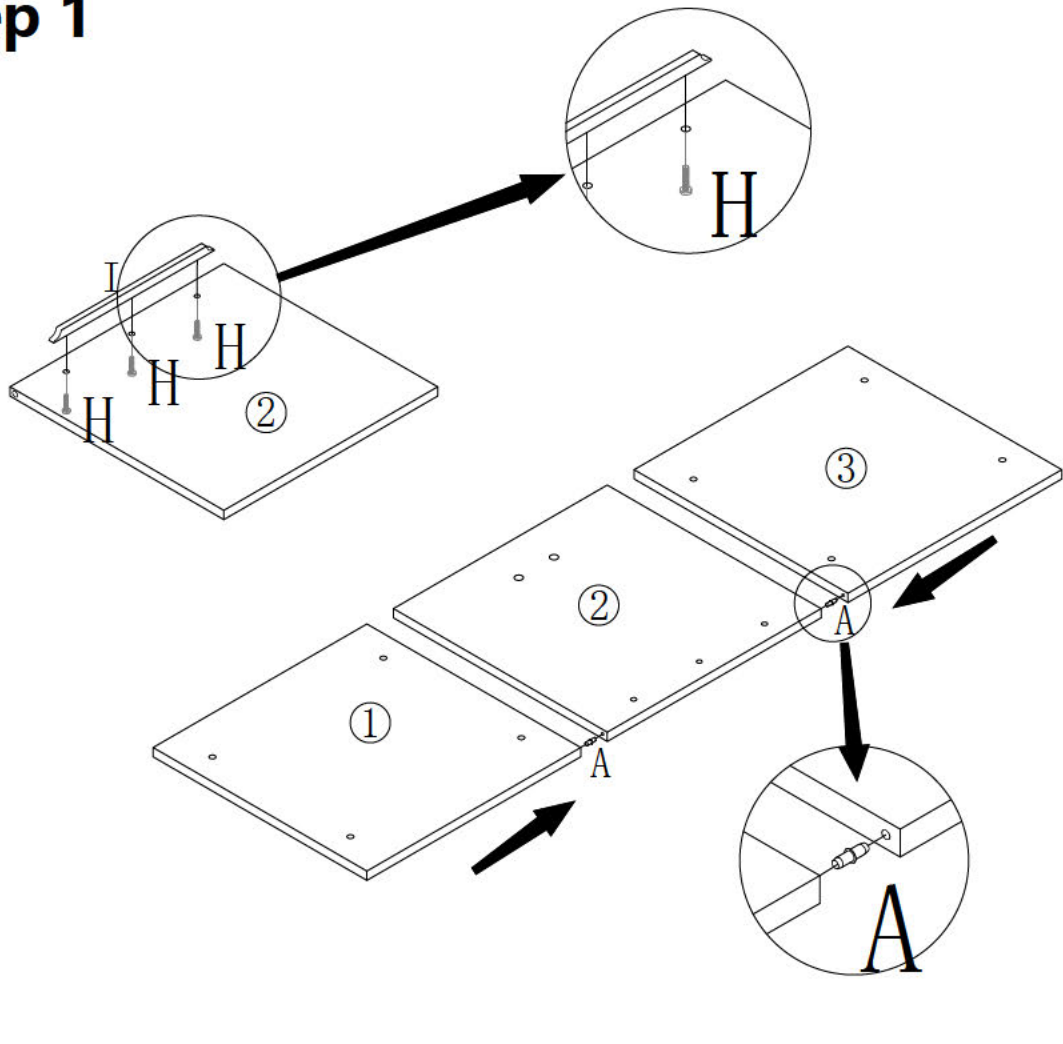


Package List:

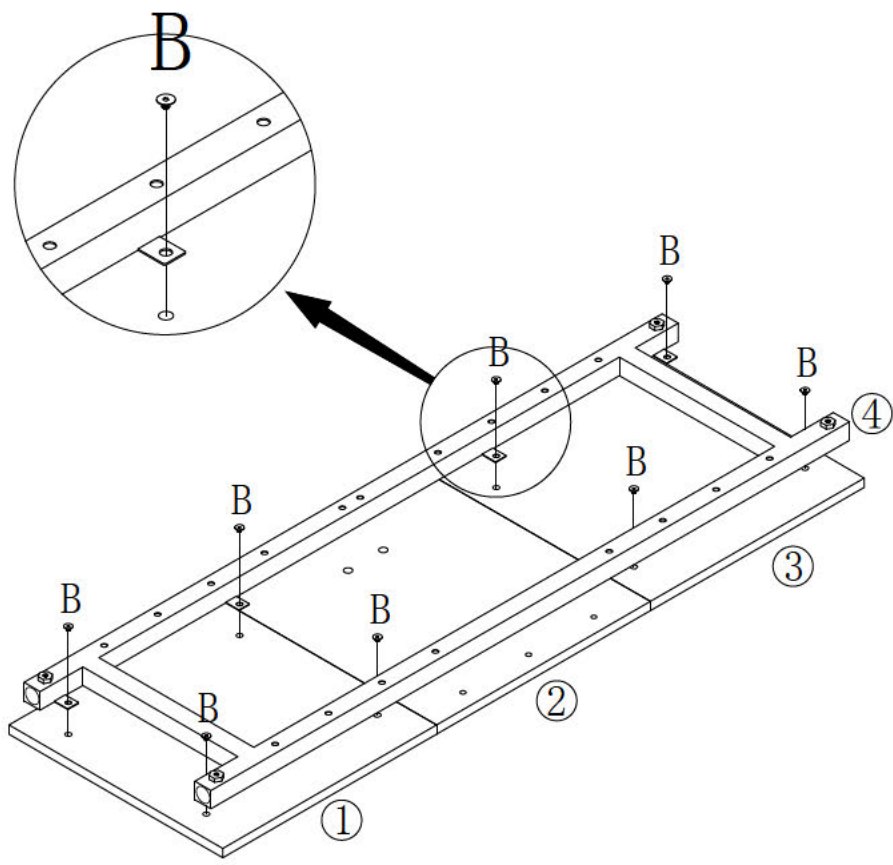
<p>① X1</p>  <p>400*400*15 (MM)</p>	<p>② X1</p>  <p>400*400*15 (MM)</p>	<p>③ X1</p>  <p>400*400*15 (MM)</p>	<p>④ X1</p>  <p>1200*350*30 (MM)</p>
<p>⑤ X4</p>  <p>580*420*25 (MM)</p>	<p>⑥ X2</p>  <p>485*350*30 (MM)</p>	<p>⑦ X1</p>  <p>395*320*15 (MM)</p>	<p>⑧ X2</p>  <p>410*110*15 (MM)</p>
<p>⑩ X1</p>  <p>320*110*15 (MM)</p>	<p>⑪ X2</p>  <p>320*10 (MM)</p>		

<p>(A)</p>  <p>5*19 2PCS</p>	<p>(B)</p>  <p>M6*10 12PCS</p>	<p>(C)</p>  <p>1PCS</p>	<p>(D)</p>  <p>M5*40 10PCS</p>
<p>(E)</p>  <p>8PCS</p>	<p>(F)</p>  <p>2PCS</p>	<p>(G)</p>  <p>2PCS</p>	<p>(H)</p>  <p>M6*20 3PCS</p>
<p>(I)</p>  <p>1PCS</p>	<p>(J)</p>  <p>M5*50 2PCS</p>	<p>(K)</p>  <p>M6*30 6PCS</p>	 

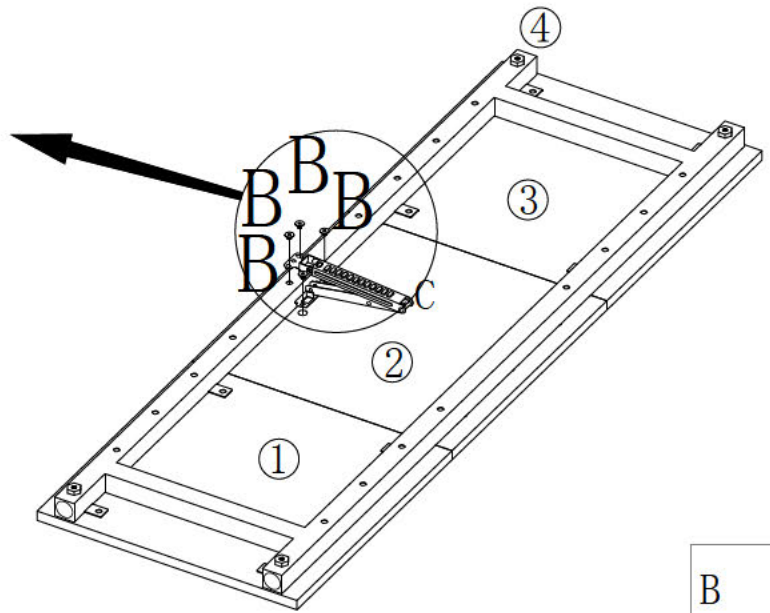
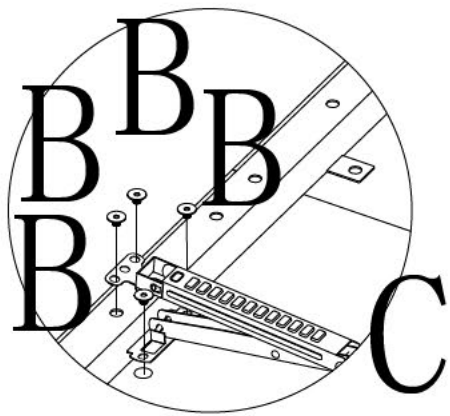
Step 1





Step 2

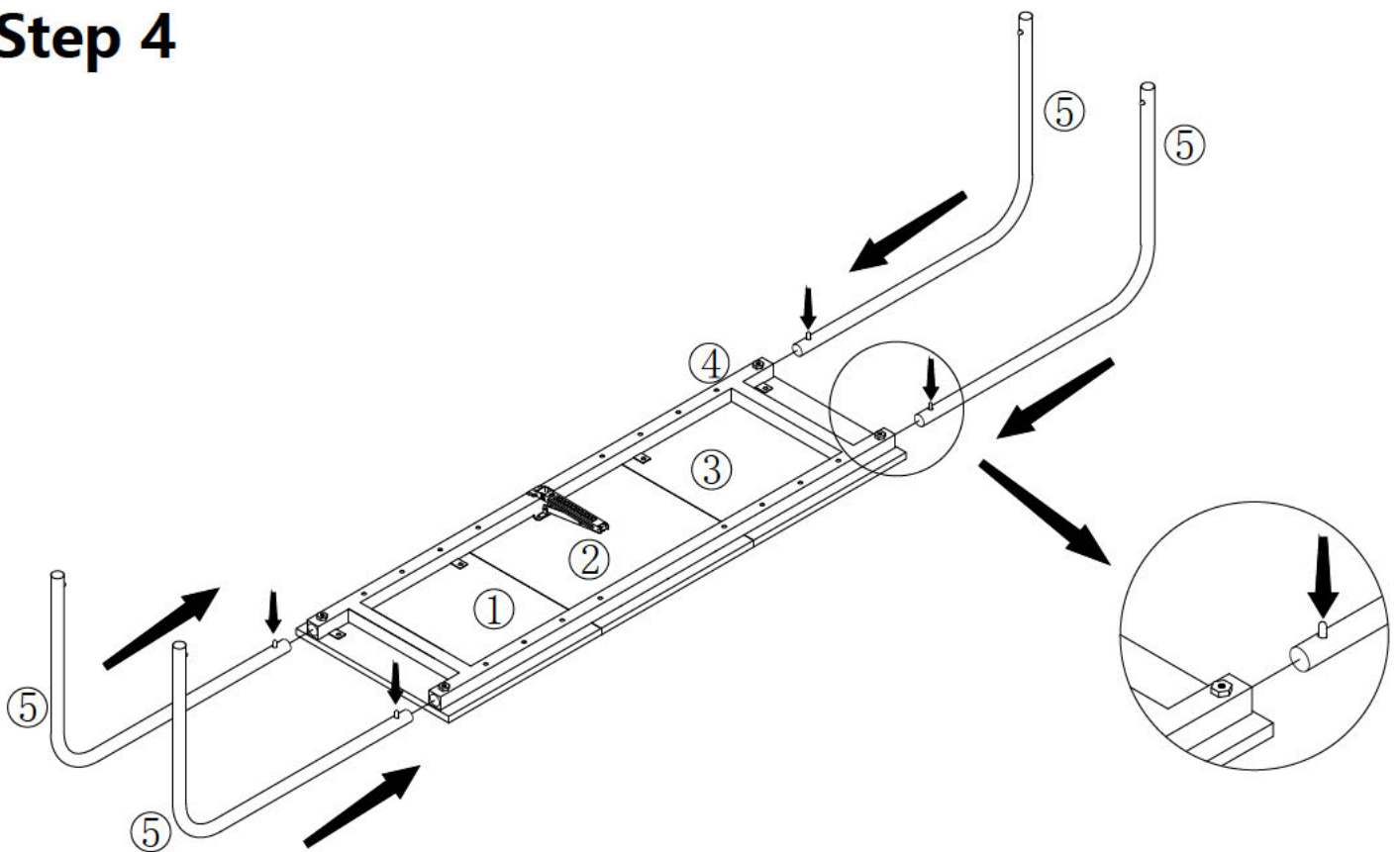


Step 3

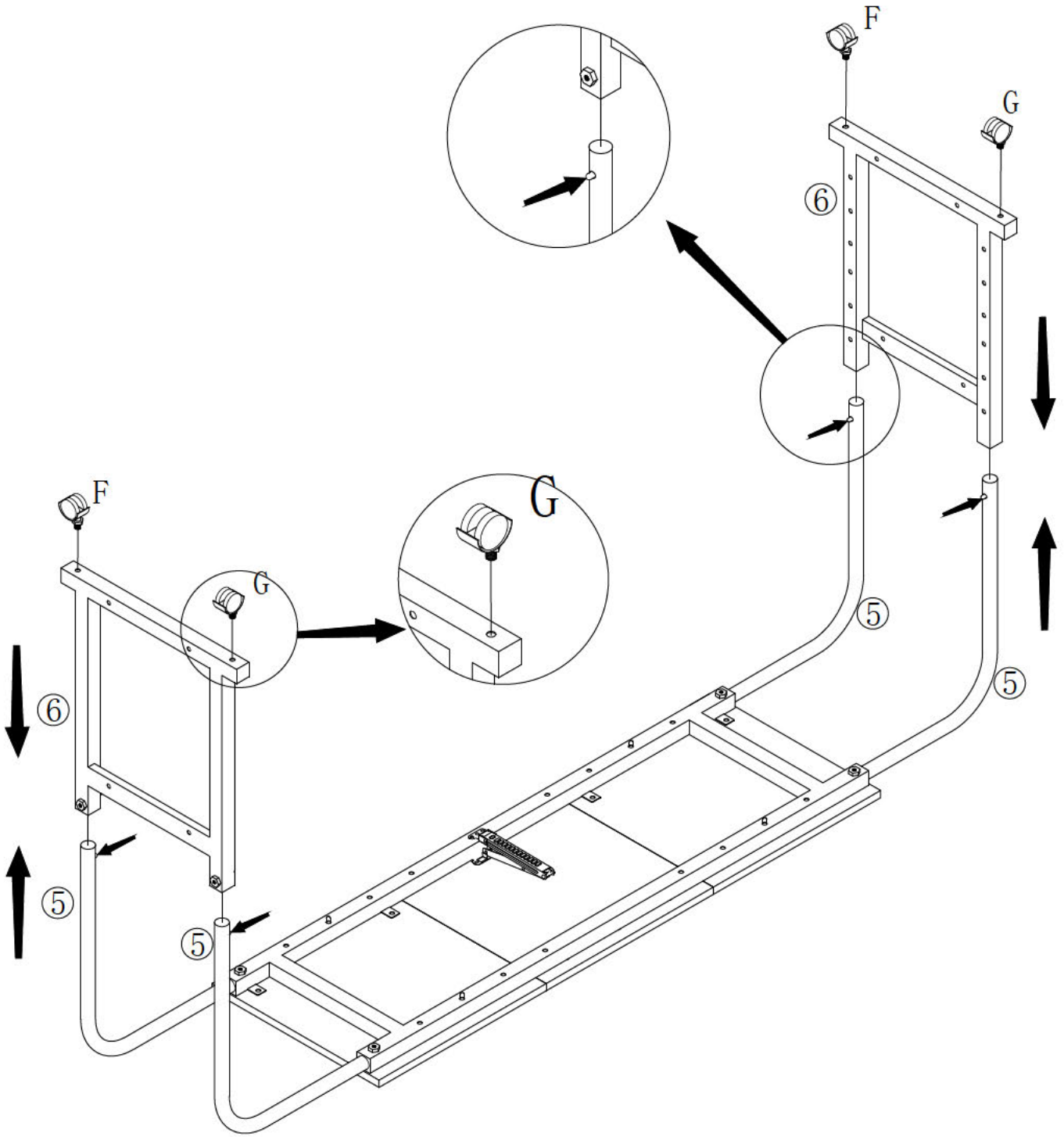


B		X4
C		X1

Step 4

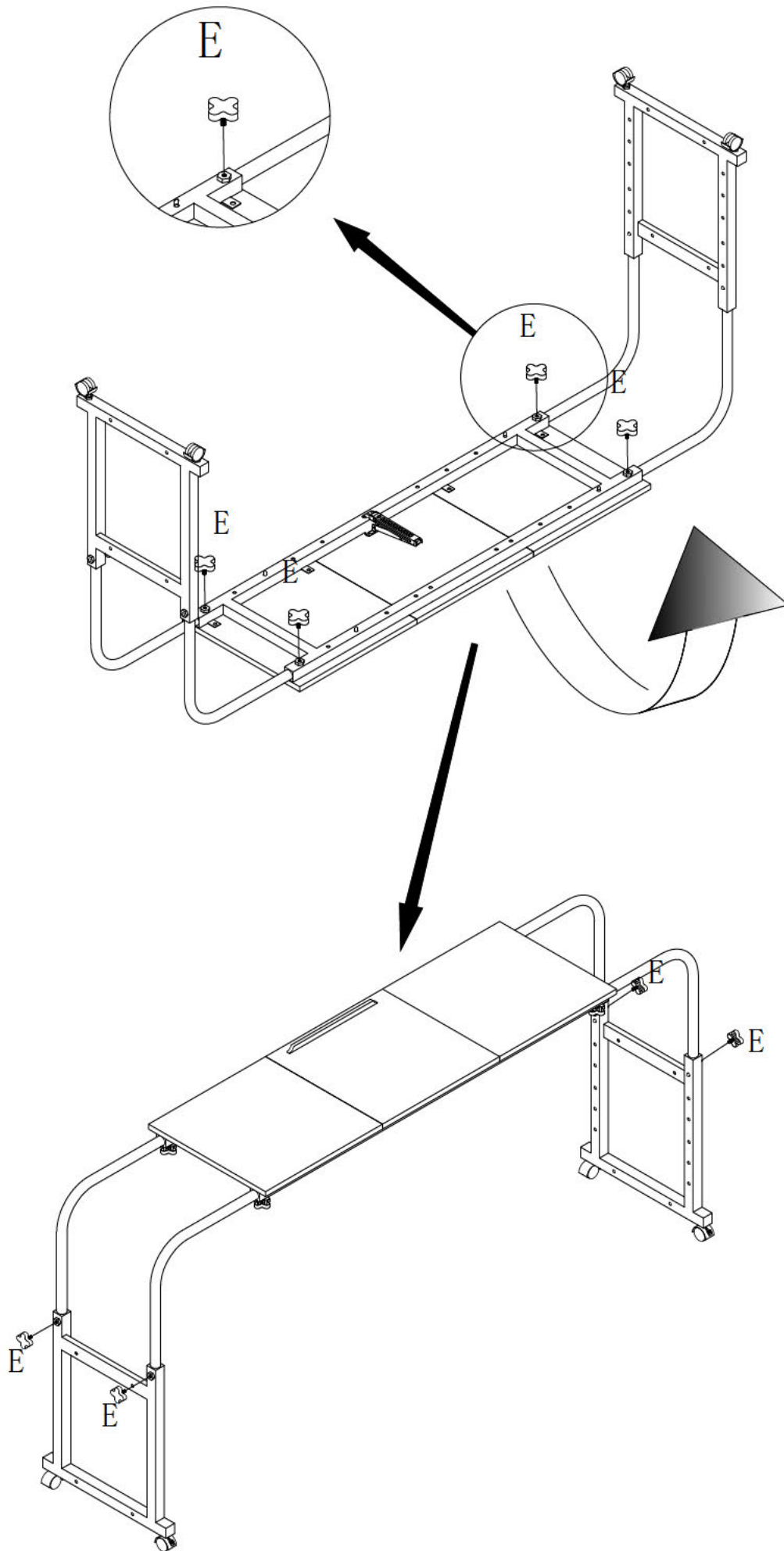


Step 5

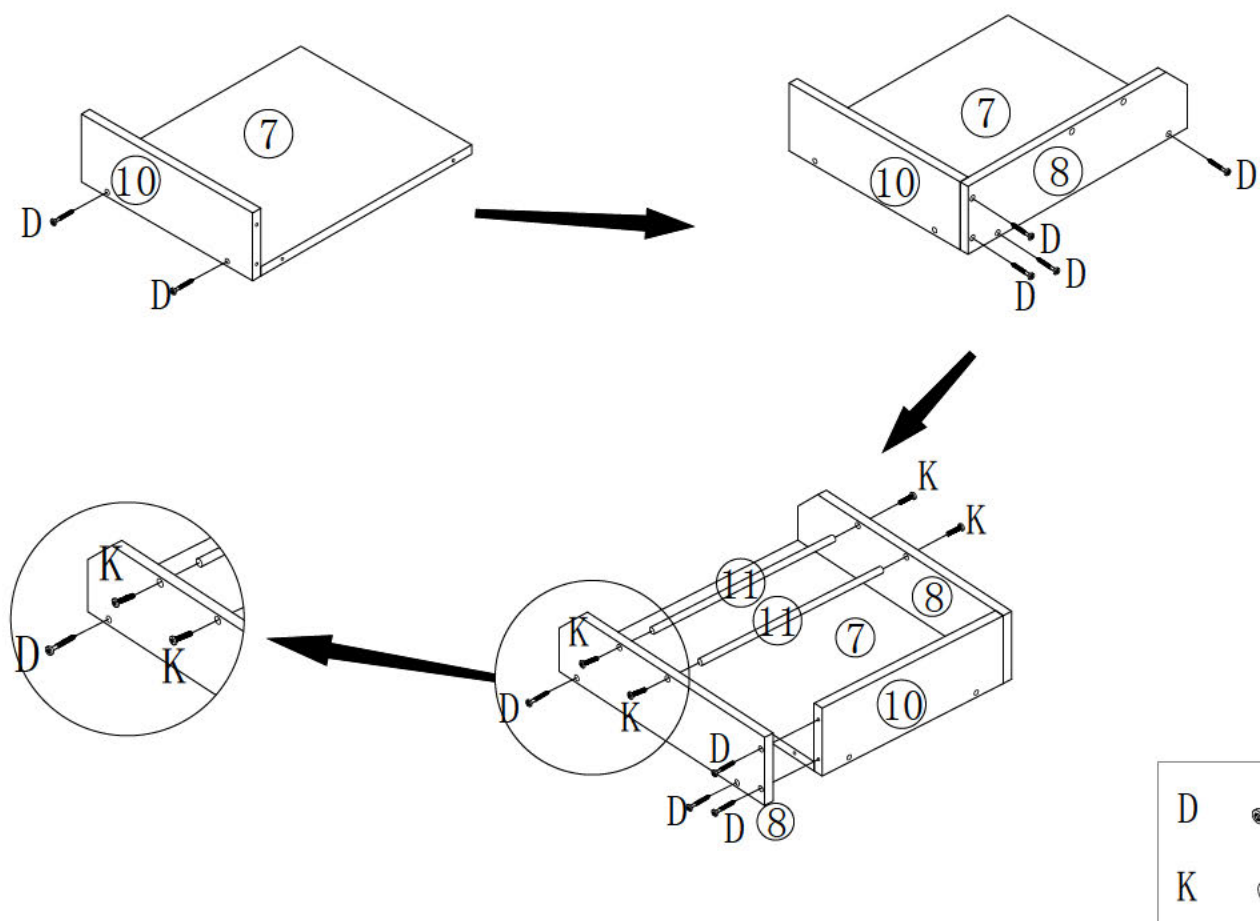


F		X2
G		X2

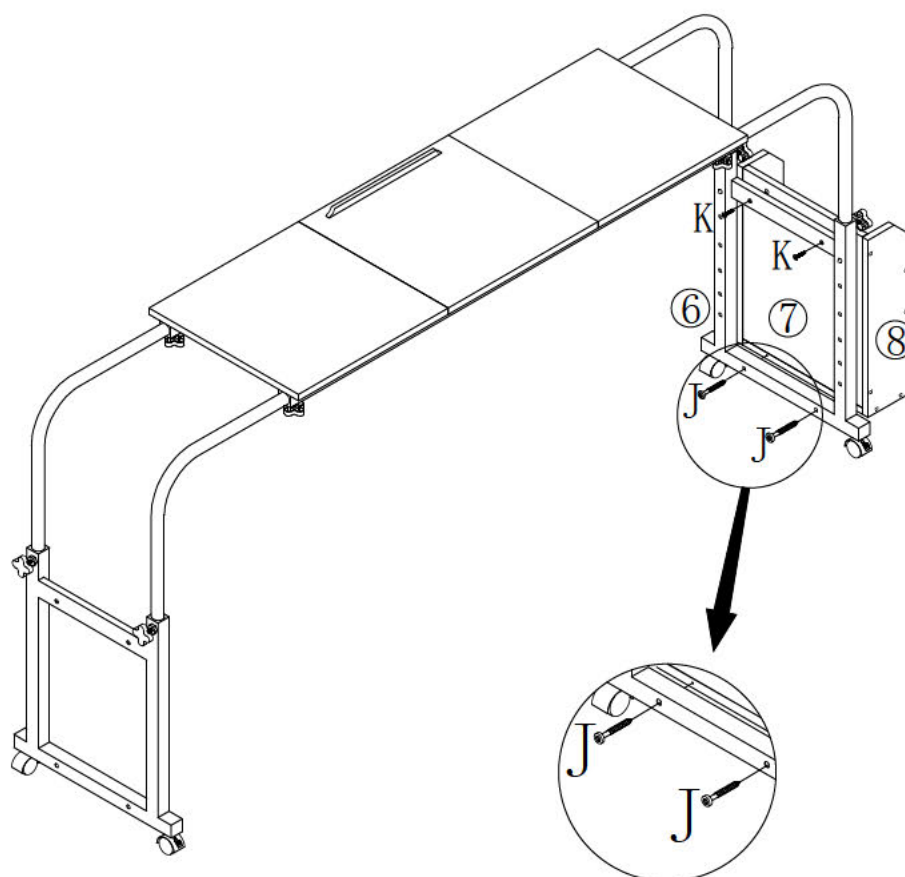
Step 6



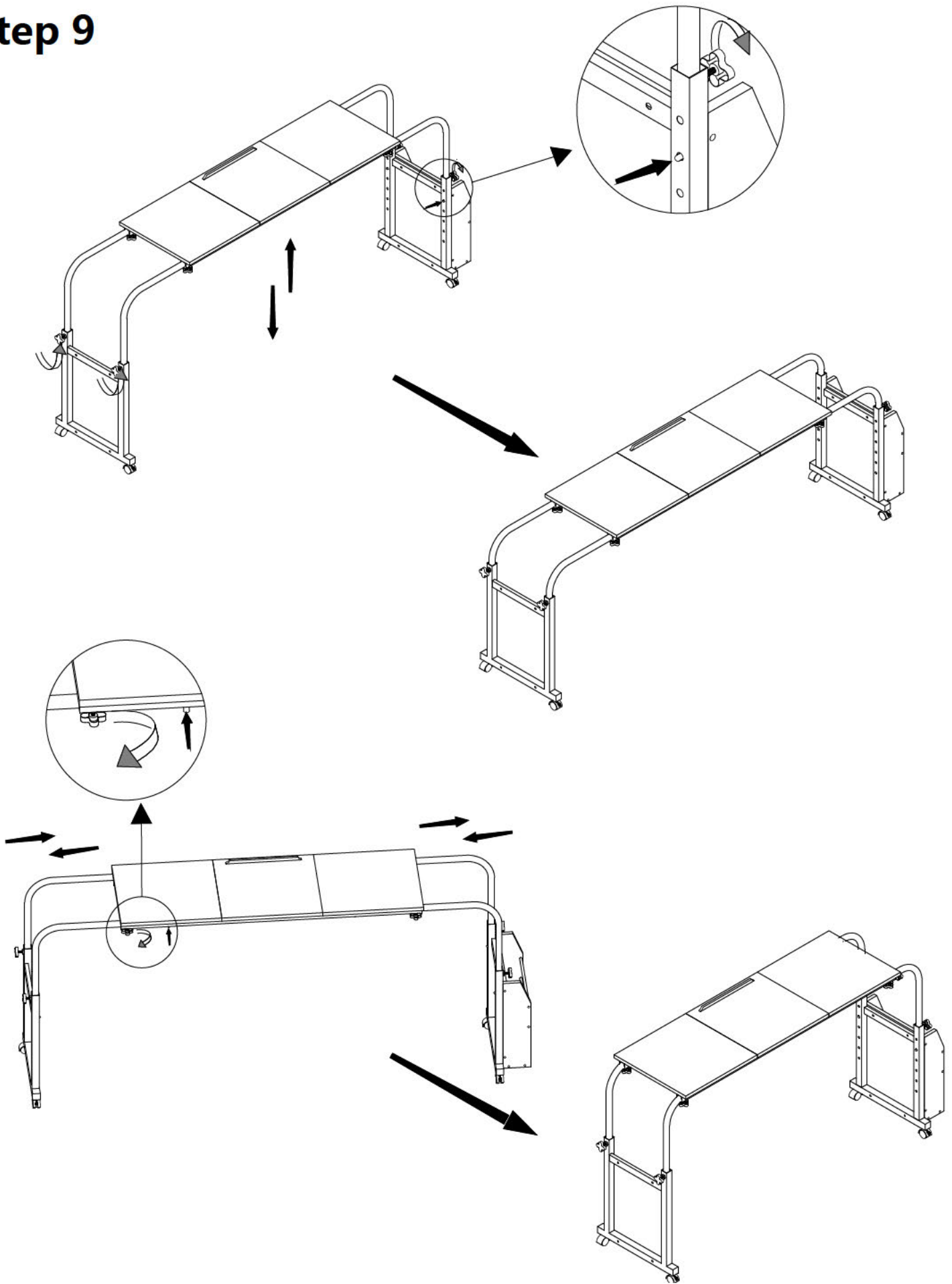
Step 7



Step 8



Step 9



ic