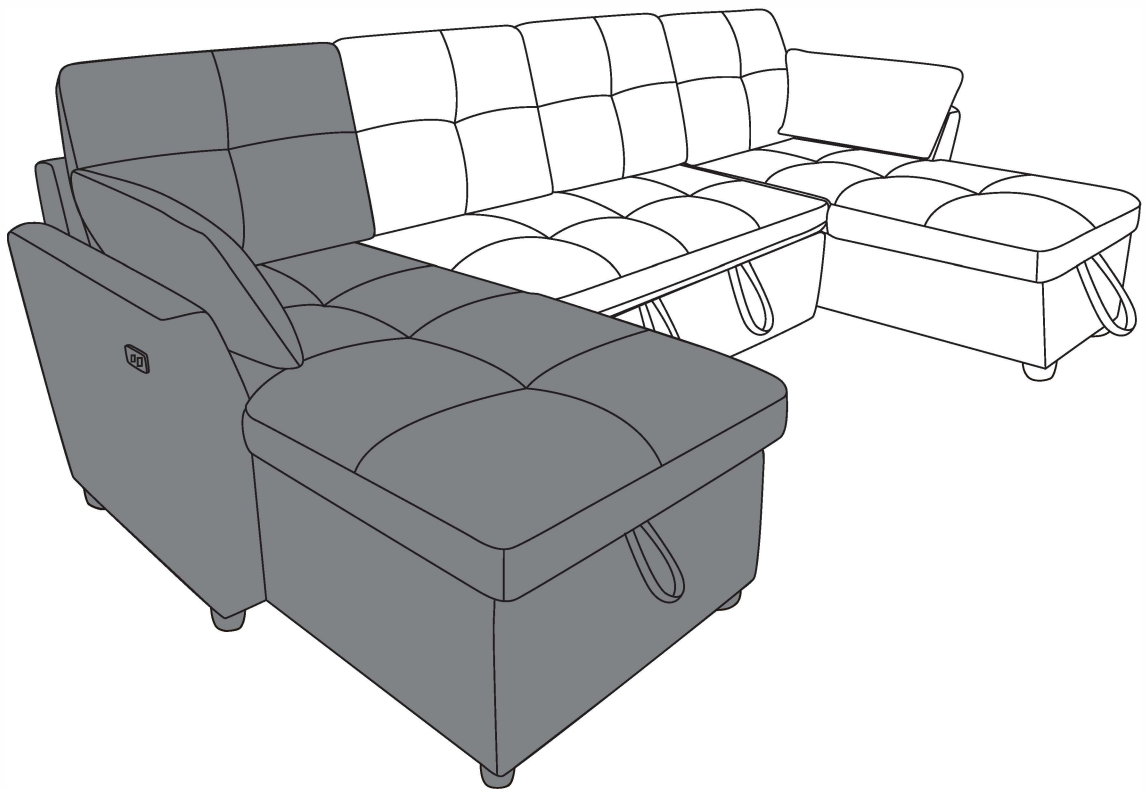
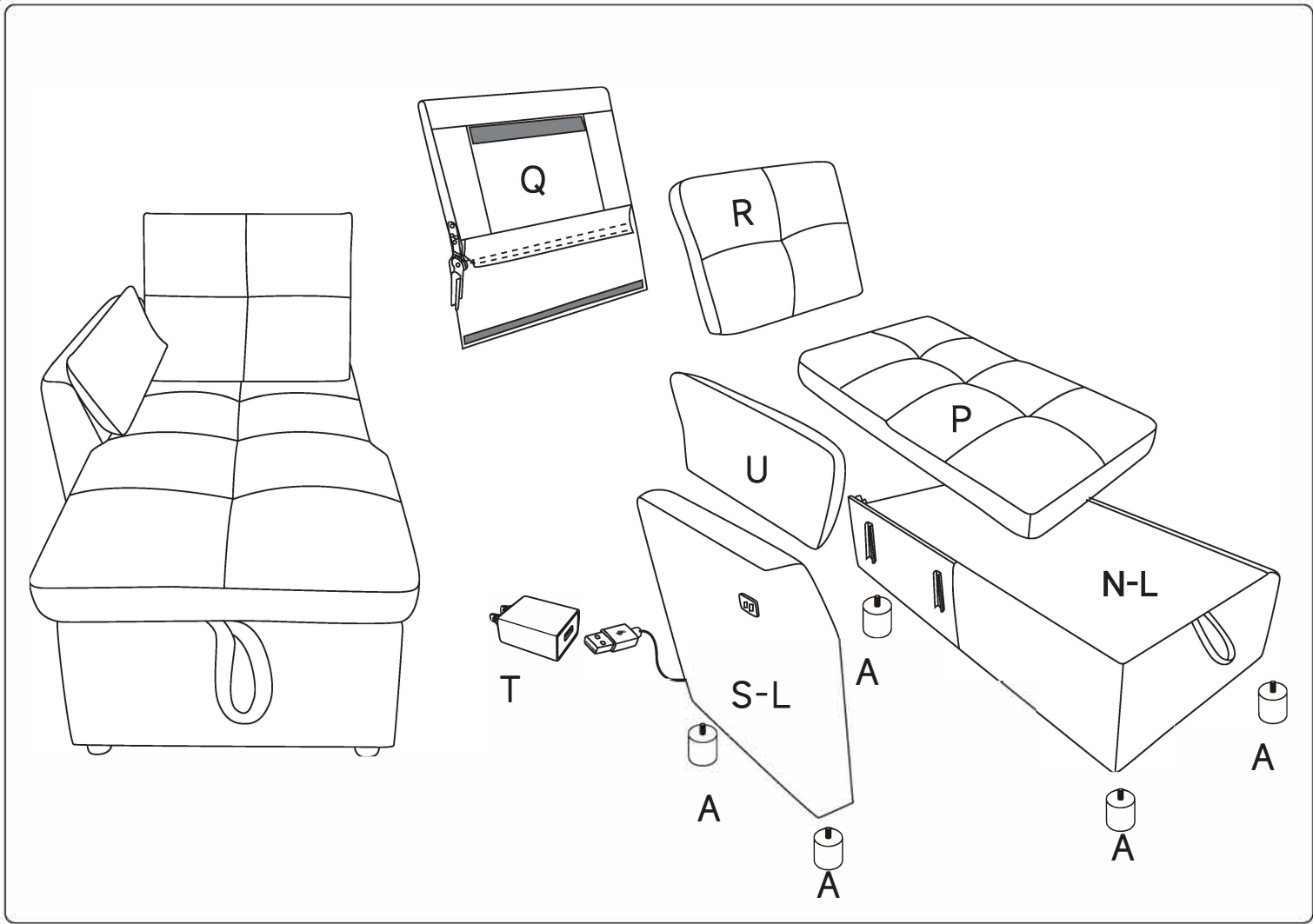


Installation & Assembly

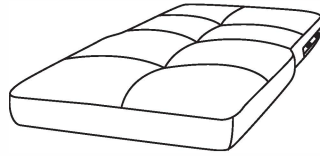


If you have any advice or problem please contact us.

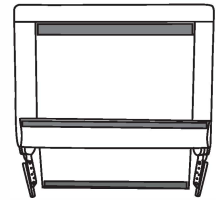
Components List



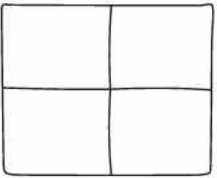
N-L X1



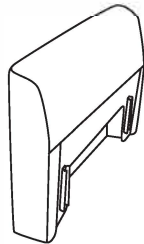
P X1



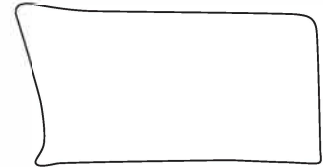
Q X1



R X1


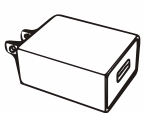


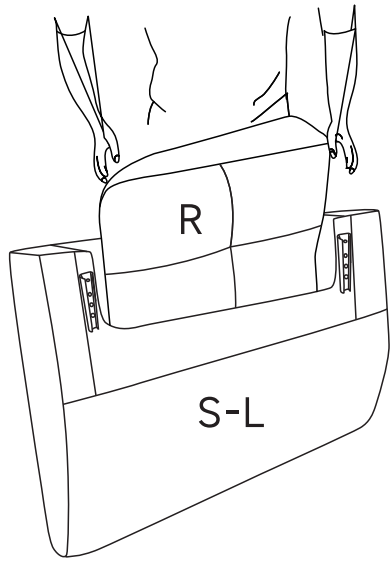
S-L X1



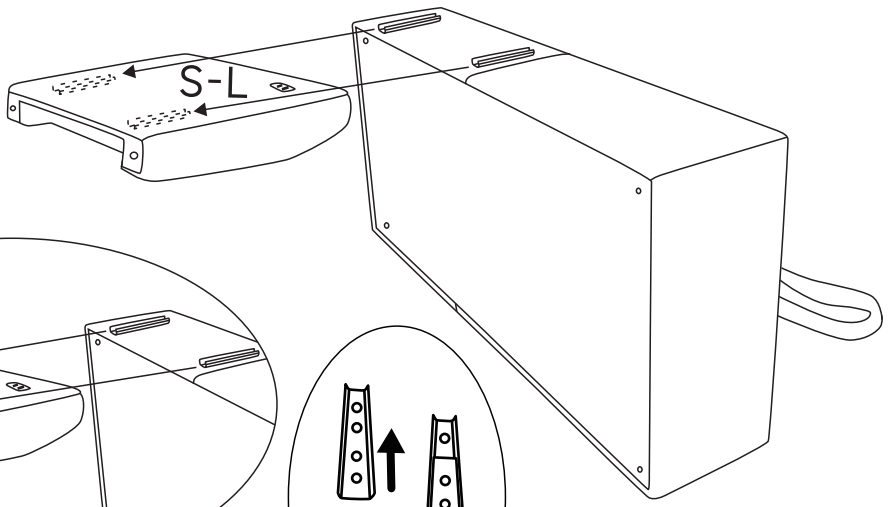
U x1

Hardware List

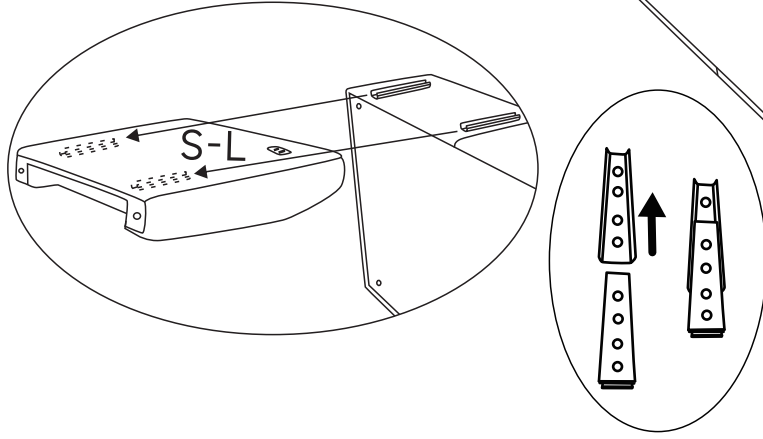
<p>A</p>  <p>X6</p>	<p>T</p>  <p>X1</p>
--	--



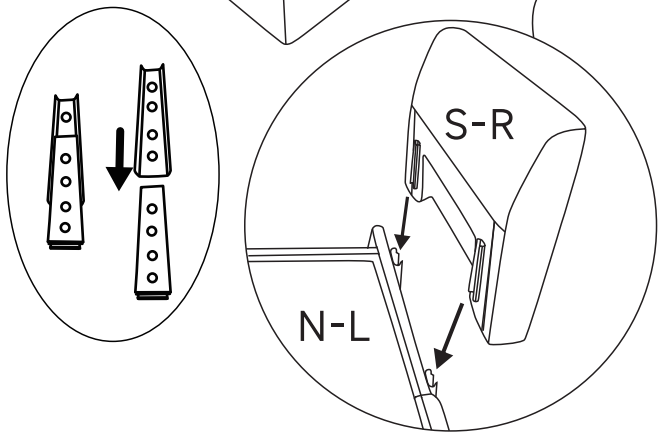
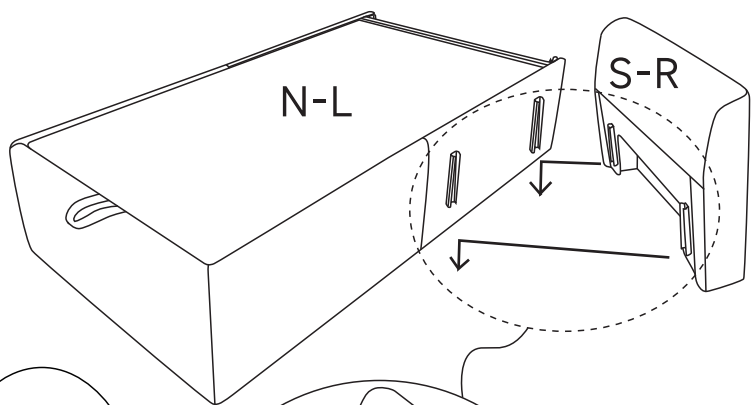
STEP 1



Step1:



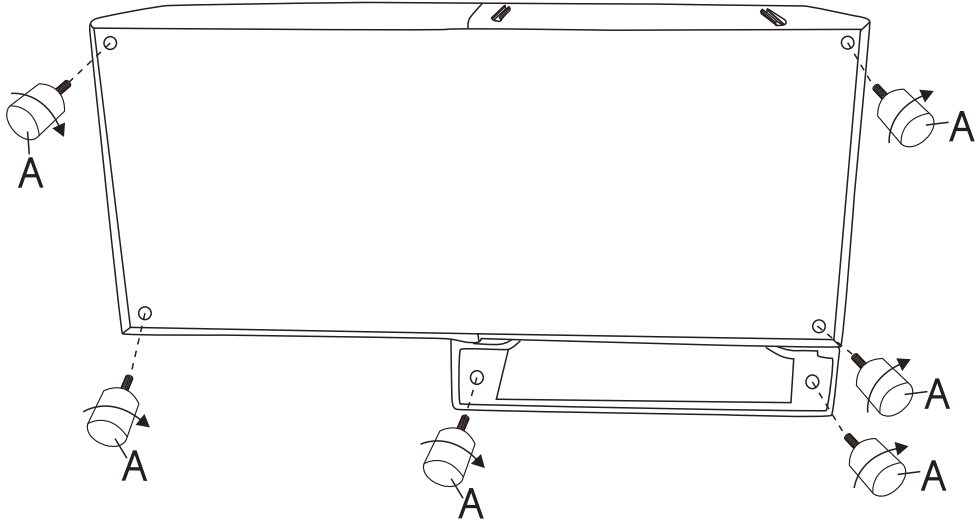
Step2:



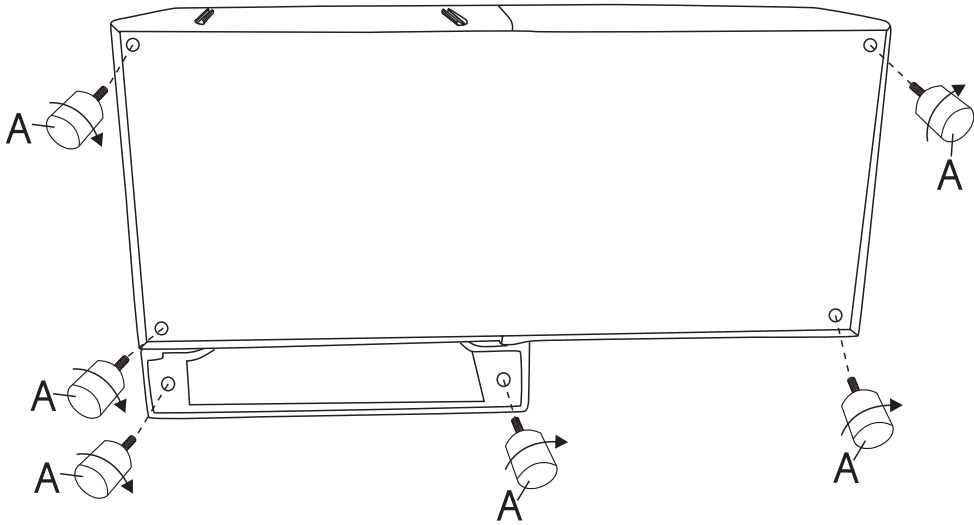
STEP 2

 Ax6

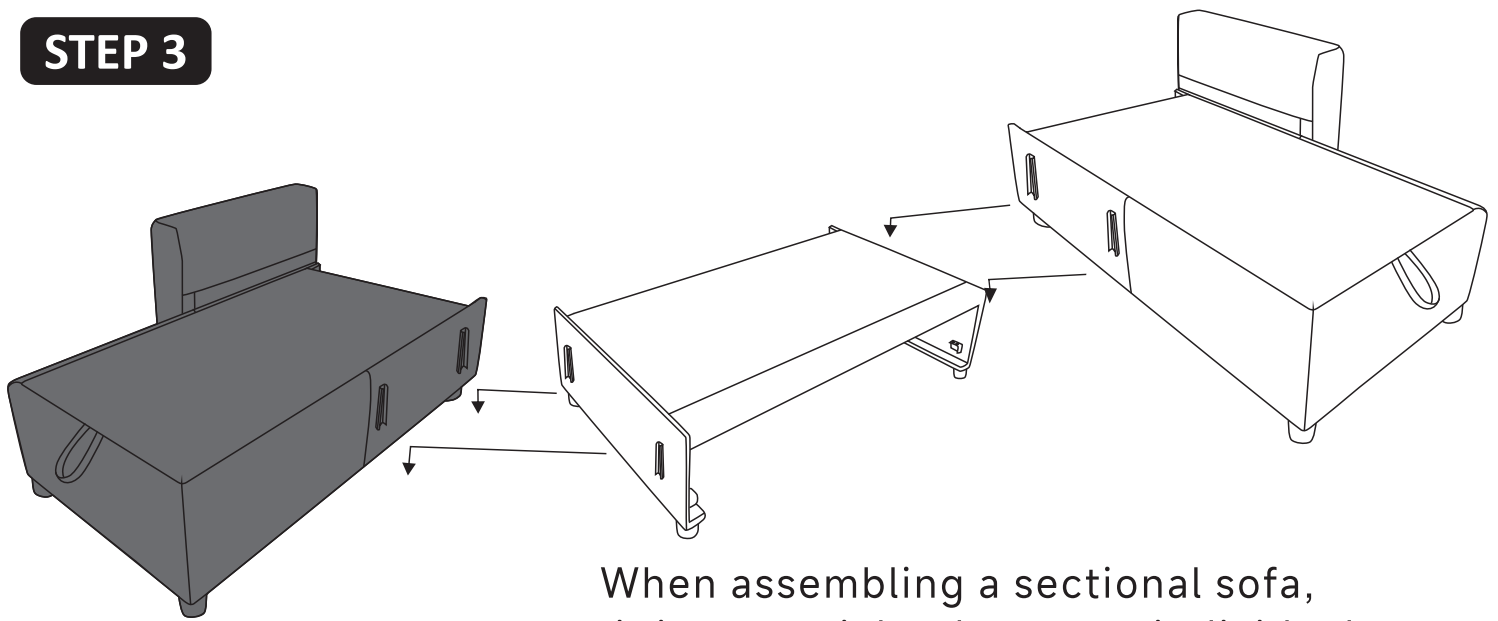
Step1:



Step2:



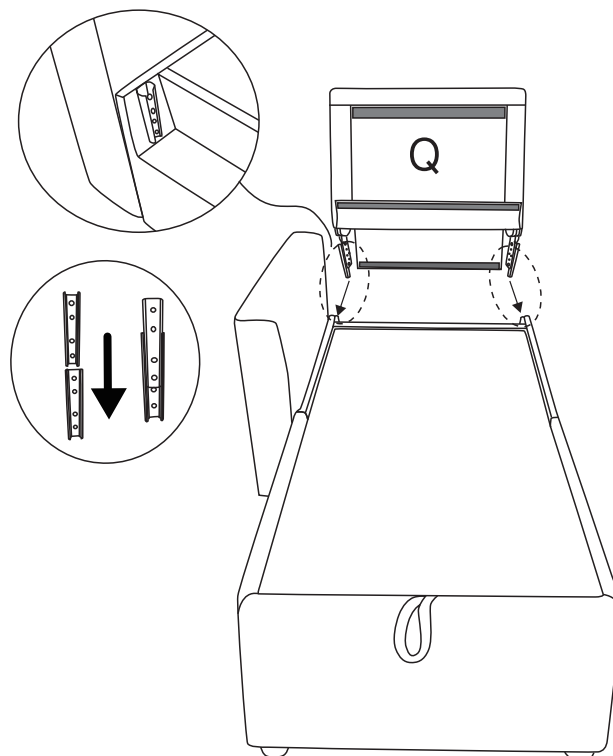
STEP 3



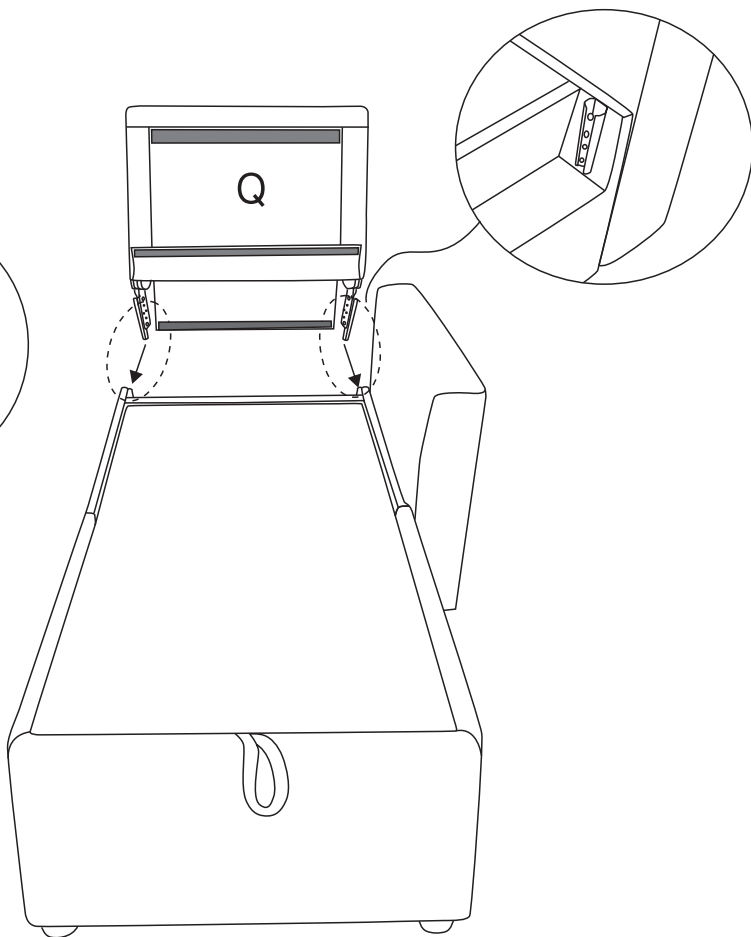
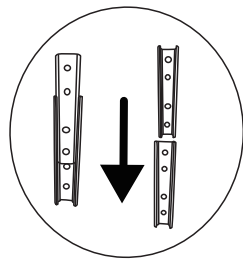
When assembling a sectional sofa, it is essential to have one individual positioned at the rear and another at the front, simultaneously lifting the sofa to securely fasten the components together.

STEP 4

Step 1:

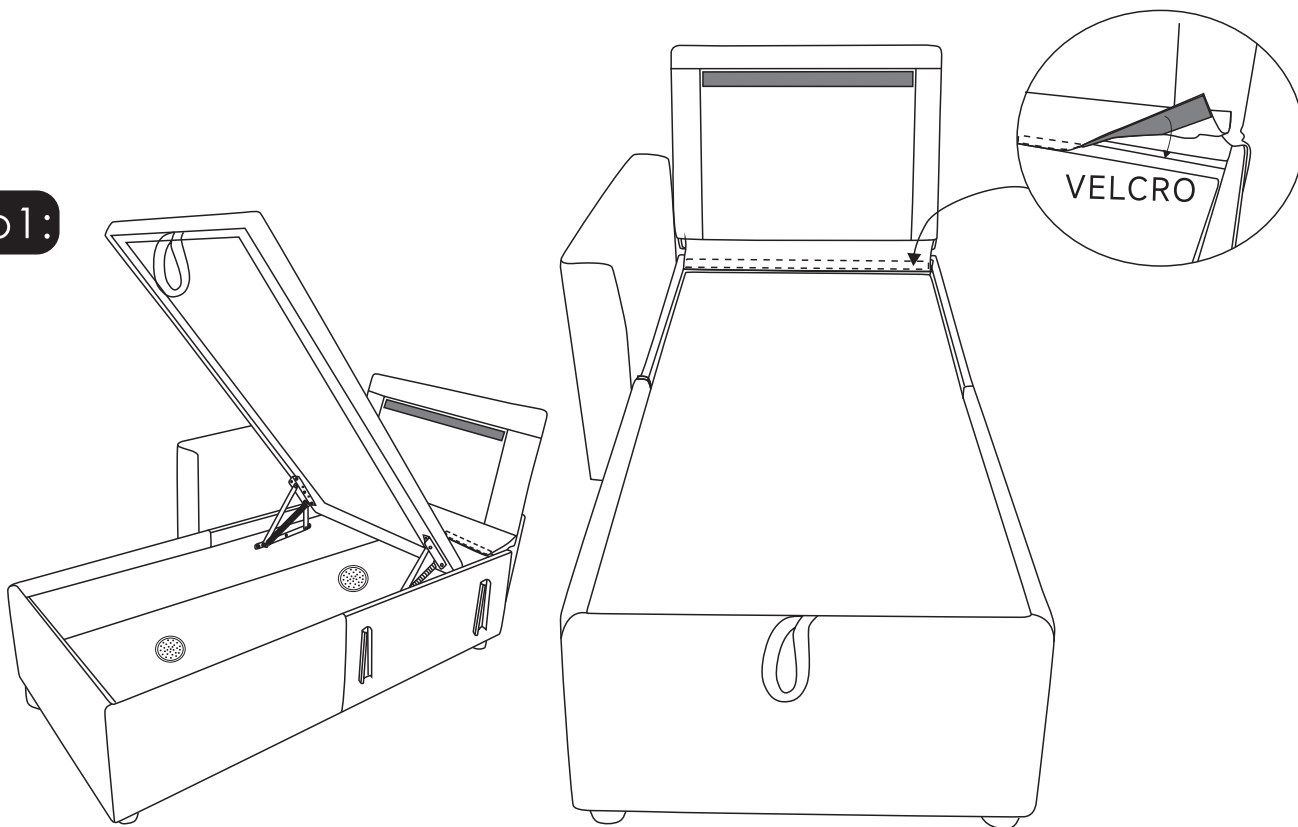


Step2:

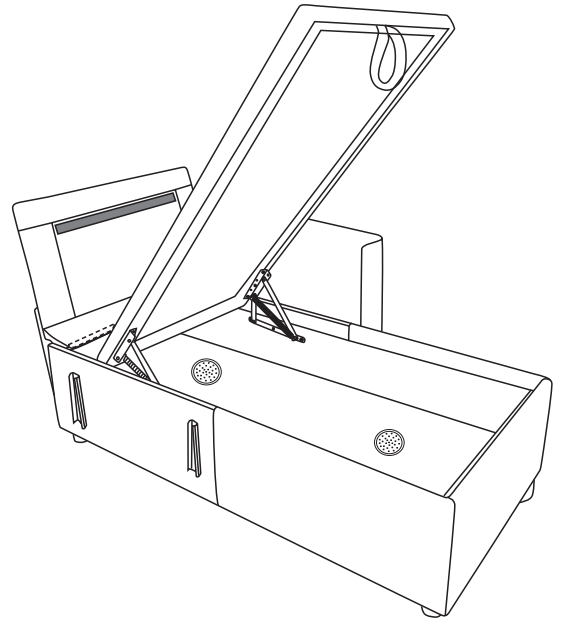
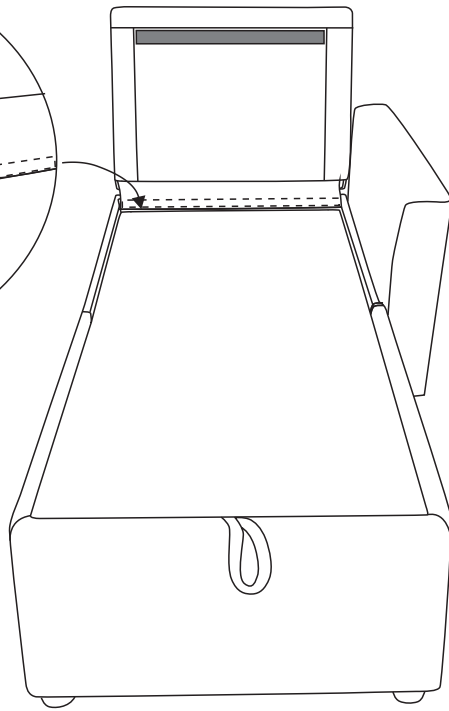
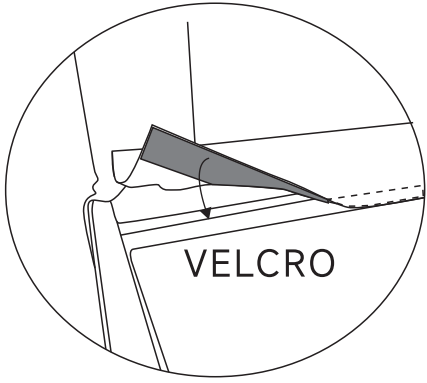


STEP 5

Step1:

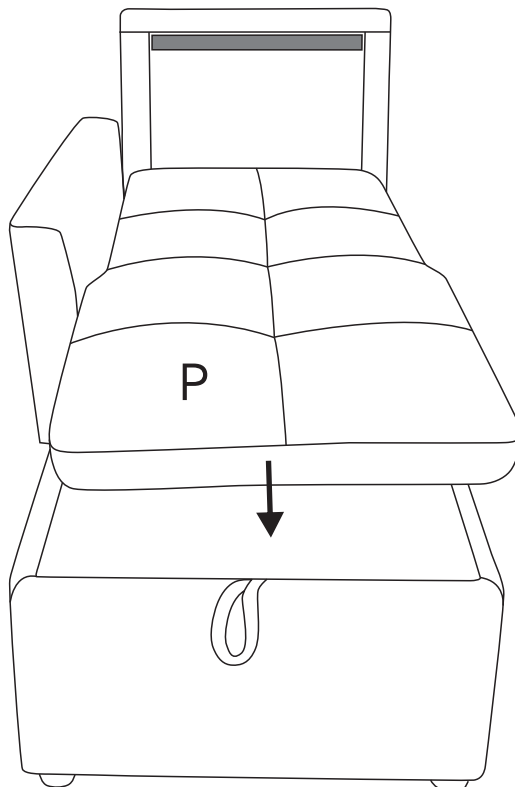


Step2:

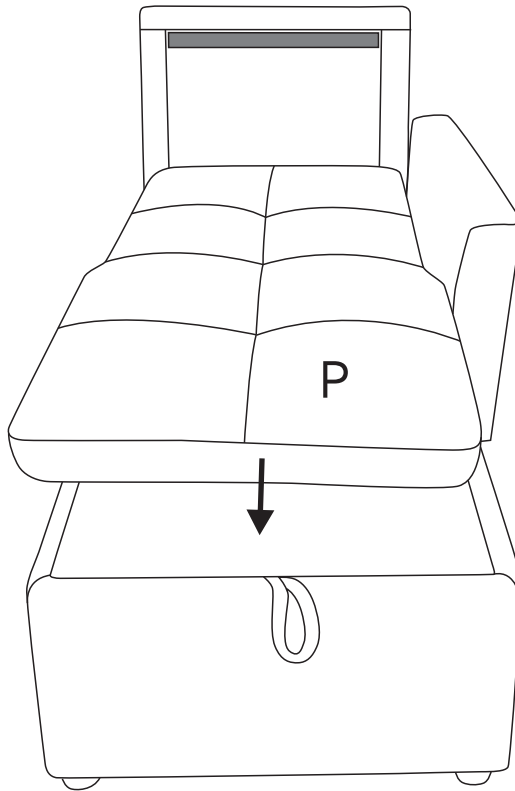


STEP 6

Step1:

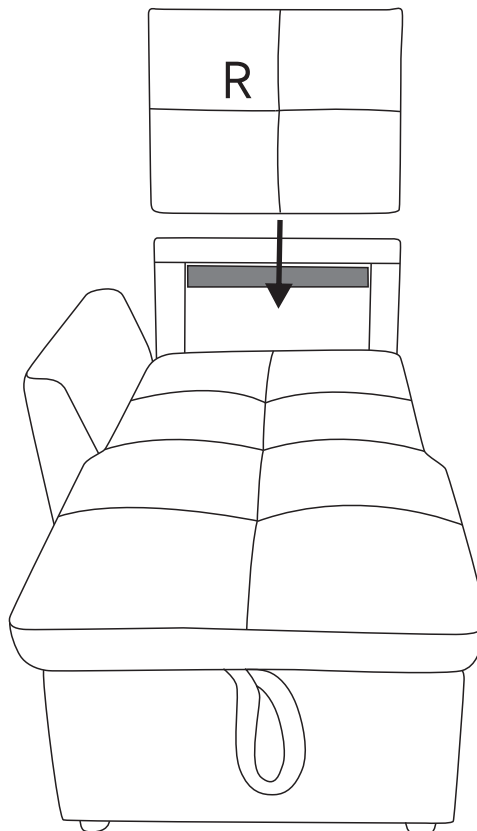


Step2:

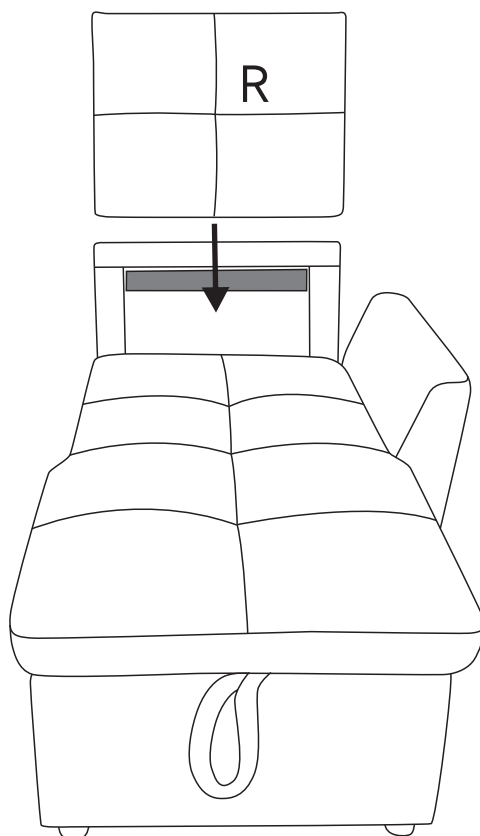


STEP 7

Step1:

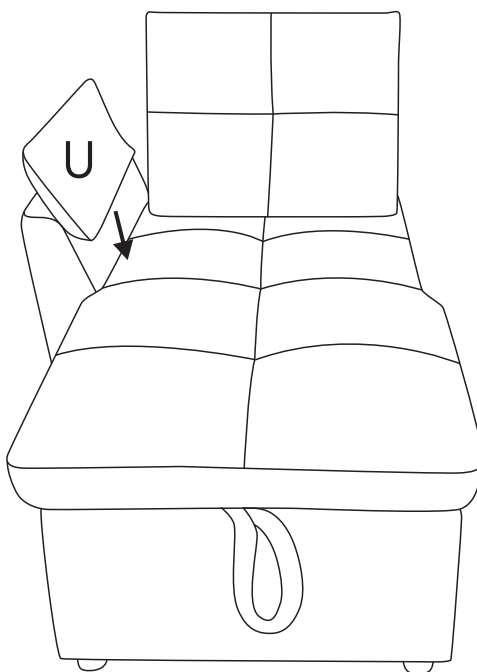


Step2:

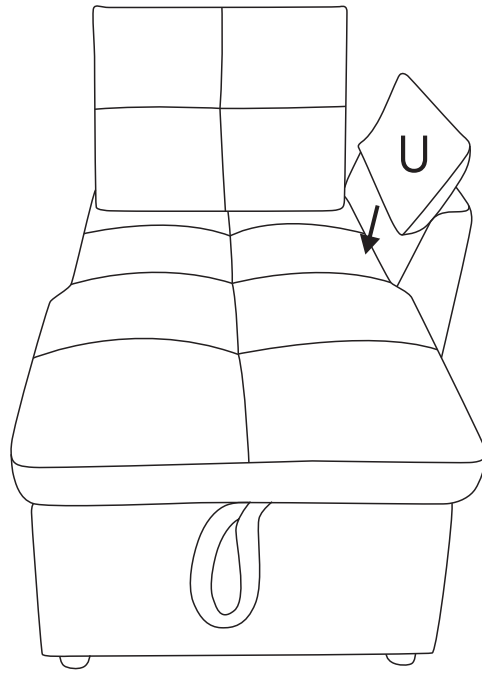


STEP 8

Step1:

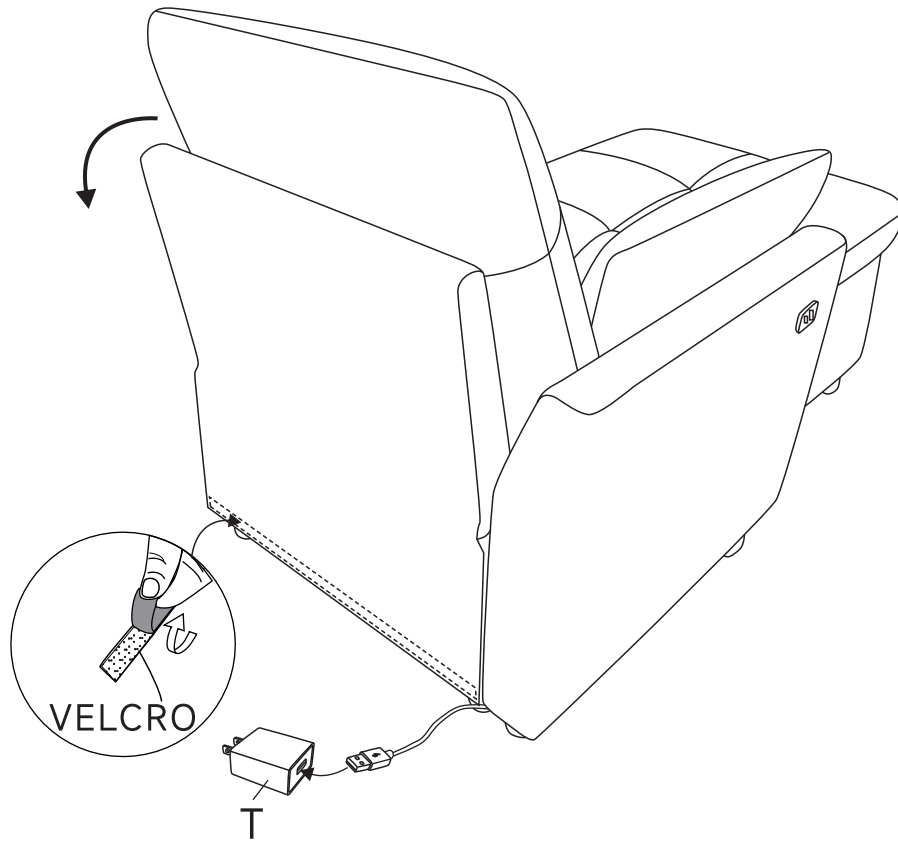


Step2:

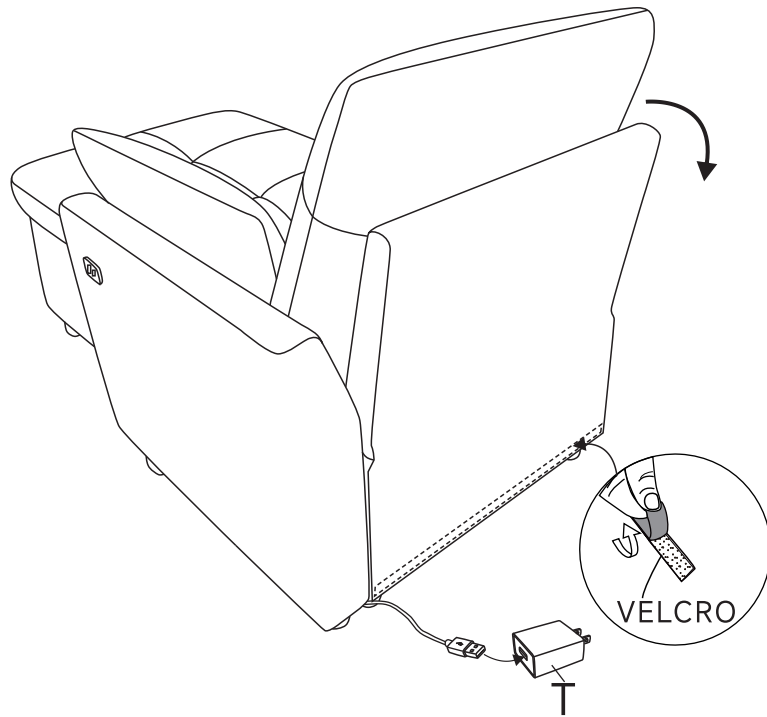


STEP 9

Step1:

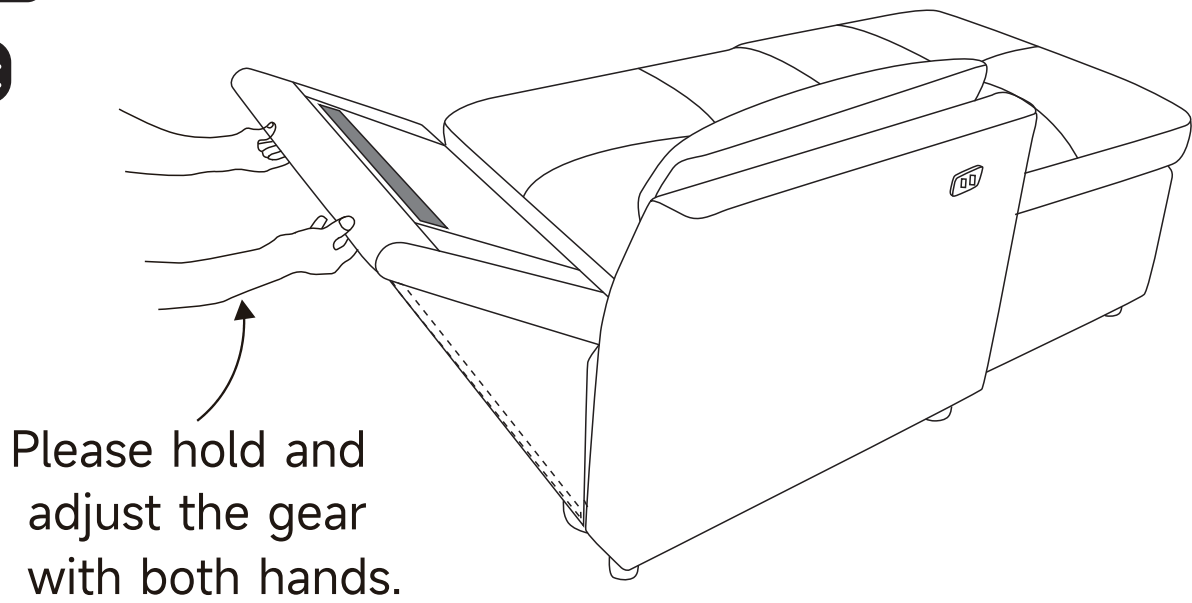


Step2:

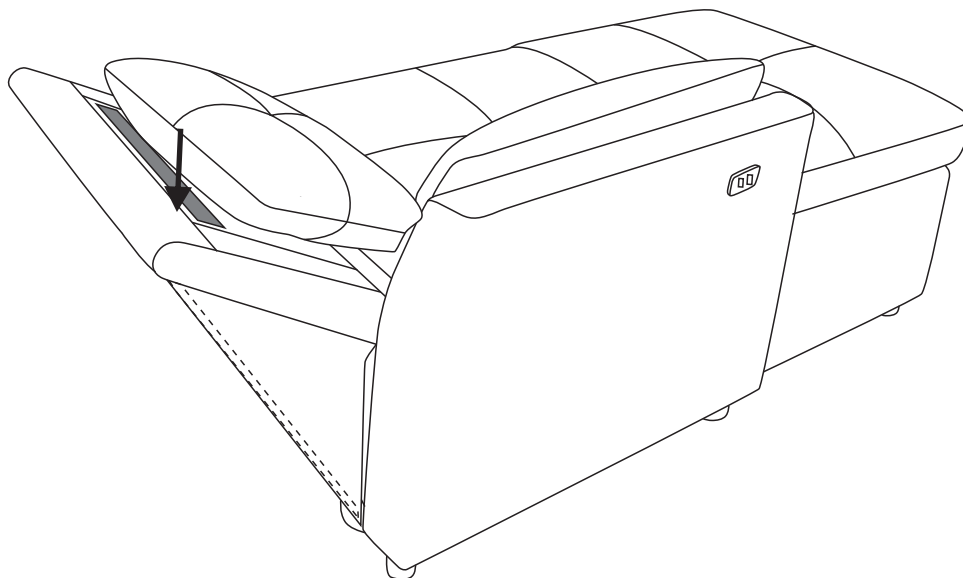


STEP 10

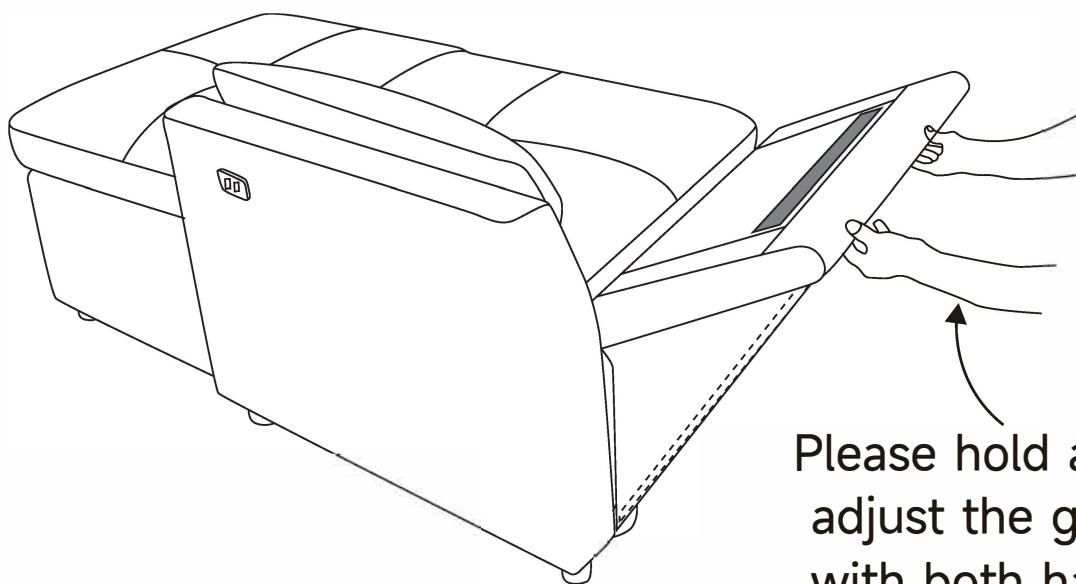
Step1:



Please hold and
adjust the gear
with both hands.



Step2:



Please hold and
adjust the gear
with both hands.

