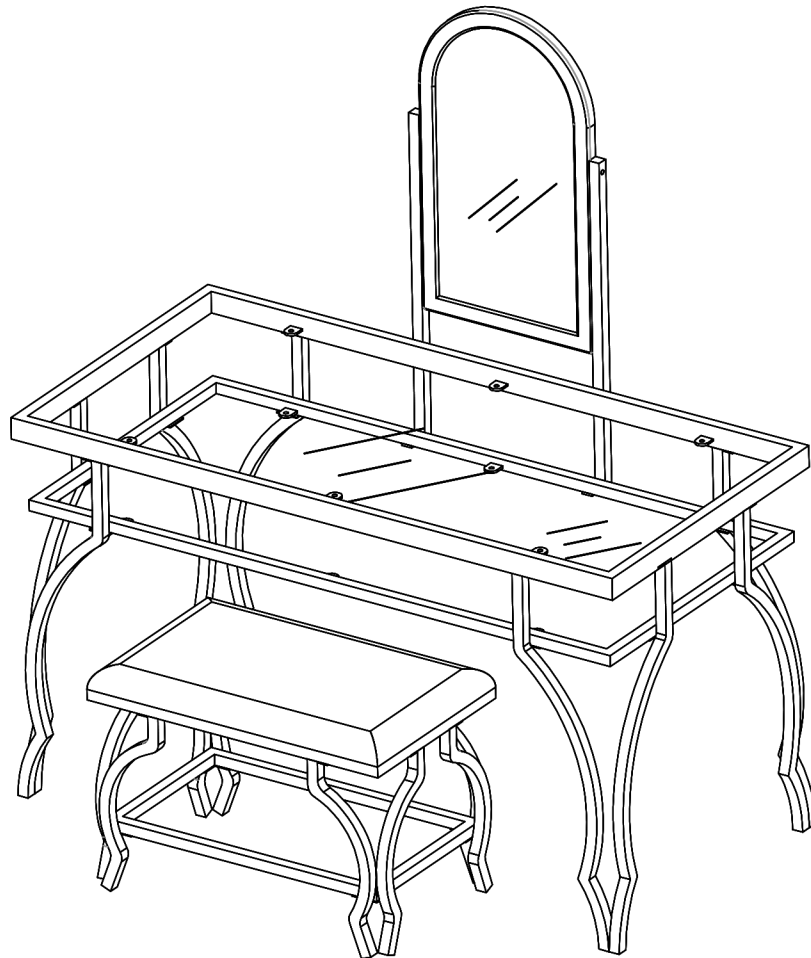


# Assembly Instructions



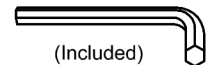
## ASSEMBLY RATING

The Assembly Rating is a 5-point system that shows the degree of effort needed in assembling a specific product (with 1 being easy and 5 being difficult). For some products, two persons are recommended.

EASY  DIFFICULT

## Tools Required For Assembly:

Allen Wrench



(Included)



2 PERSONS RECOMMENDED

# ASSEMBLY & CARE ADVICE

FOR YOUR FURNITURE TO LAST, CORRECT ASSEMBLY AND PROPER MAINTENANCE ARE NECESSARY. PLEASE FOLLOW THE INFORMATION PROVIDED BELOW TO FULLY ENJOY YOUR FURNITURE.

## BASIC ASSEMBLY TECHNIQUES



When lock or spring washer is used in an assembly, please make sure the lock or spring washer is placed between the larger flat washer and the head of the screw or bolt.



Position each part correctly and insert screws or bolts into their respective holes by hand tighten or using the proper hand tool. Only tighten when step is completed or when instructed to do so.



Use cardboard or carpet area when assembling furniture to prevent scratches. Make sure the furniture rests on a flat and level surface with each leg evenly touching the floor.



Some furniture comes with height adjustment knobs underneath each leg. To lower or to raise each leg, you need to turn clockwise or counterclockwise, respectively.



Make sure all parts are properly aligned, then use the appropriate hand tool to completely tighten the bolts or screws. Do not use power tools and do not overtighten.

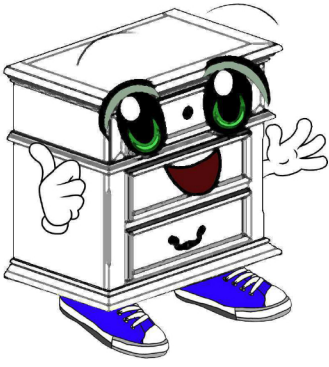


Save the instructions and store the Allen wrench or any supplied tool for later maintenance. After two weeks, check and tighten any loose hardware and repeat again every six months thereafter.

IT IS THE USER'S RESPONSIBILITY TO MAINTAIN THE FURNITURE. THE HARDWARE MAY LOOSEN OVER TIME AND MAY CAUSE THE FURNITURE TO BE WOBBLY AND UNABLE TO SUPPORT ITS INTENDED WEIGHT CAPACITY. THIS MAY LEAD TO COLLAPSE AND MAY CAUSE SERIOUS INJURY.



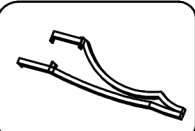
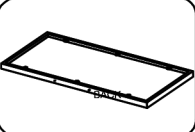
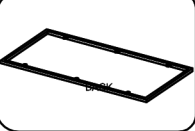
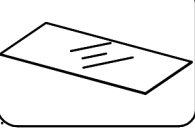
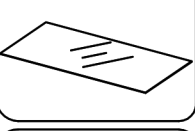
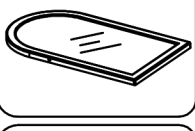
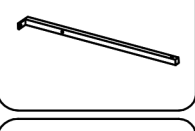
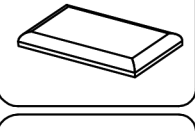


**FAILURE TO FOLLOW THE GUIDELINES ABOVE MAY RESULT IN INJURY AND/OR PROPERTY DAMAGE.**



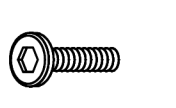
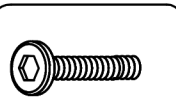


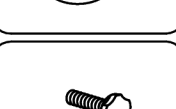
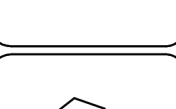

Before you begin, please read Page 2 of "Assembly and Care Advice".

And remember, do not tighten until each step is completed or instructed.

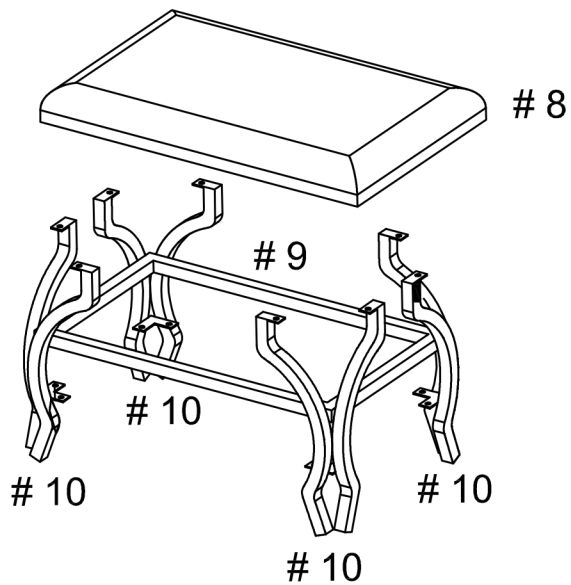
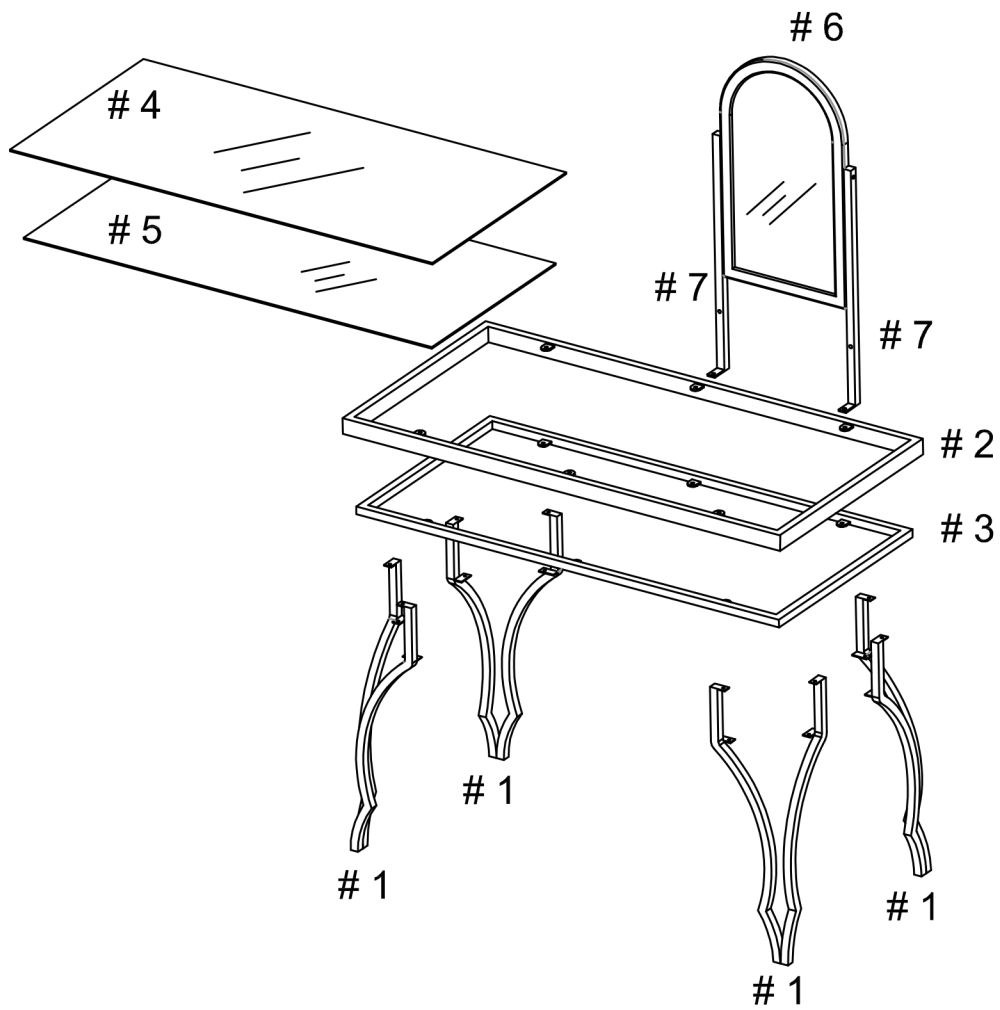
### Parts List

-  # 1 X 4pcs  
Vanity Leg
-  # 2 x 1pc  
Vanity Top Frame
-  # 3 x 1pc  
Vanity Shelf Frame
-  # 4 x 1pc  
Vanity Top Glass
-  # 5 x 1pc  
Vanity Shelf Frame
-  # 6 x 1pc  
Mirror Frame
-  # 7 x 2pcs  
Mirrored Stretcher
-  # 8 x 1pc  
Seat
-  # 9 x 1pc  
Stool Frame
-  # 10 x 4pcs  
Stool Leg

### Hardware List

-  # A x 34pcs  
Bolt 1/4" x 1/2"
-  # B x 2pcs  
Bolt 1/4" x 1-1/8"
-  # C x 16pcs  
End Cap
-  # D x 12pcs  
Glass Tip
-  # E x 2pcs  
Bolt
-  #F x 2pcs  
L. End Cap
-  # G x 1pc  
Allen Key

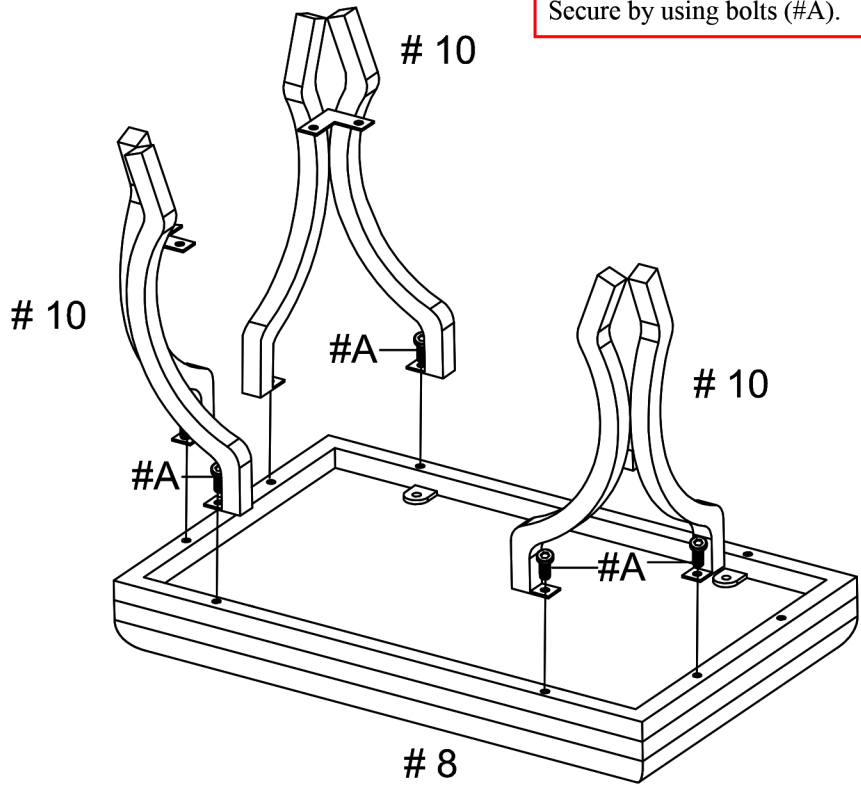
# Exploded View





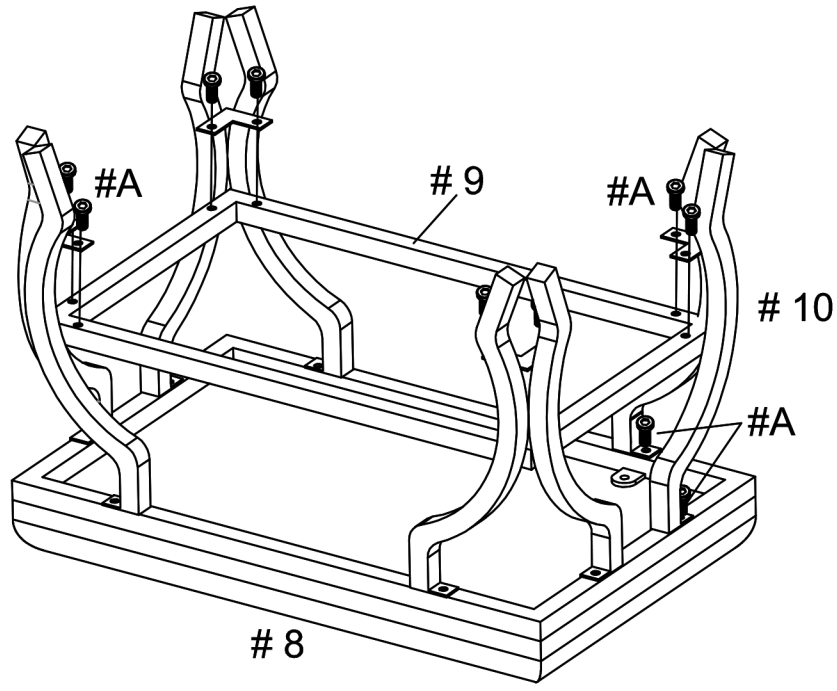
#A 6pcs

Align 3 stool legs (#10) to the holes of the seat (#8).  
Secure by using bolts (#A).



#A 10pcs

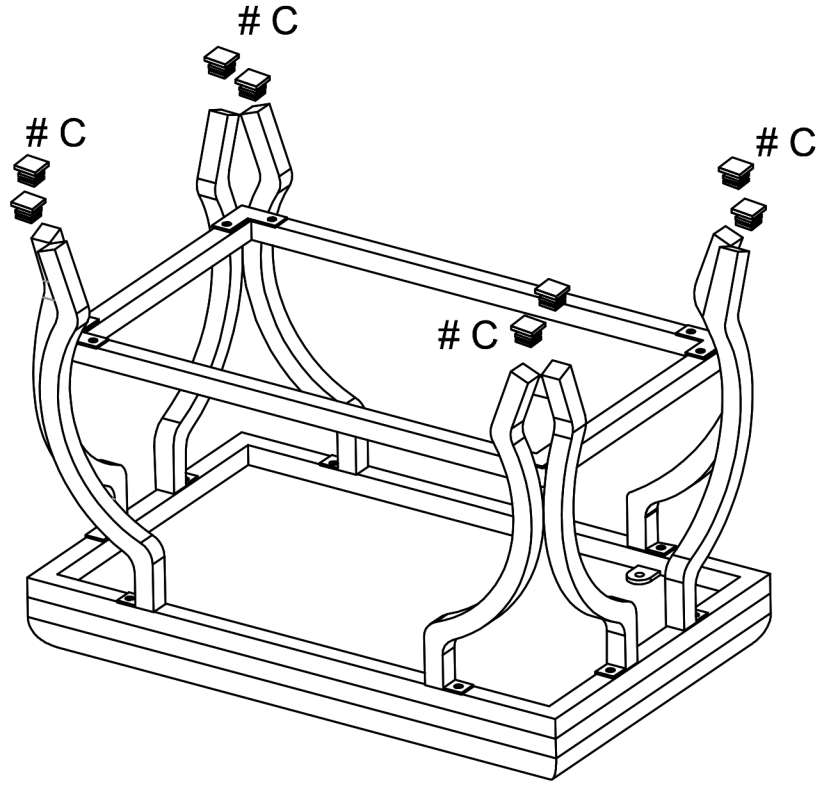
Align stool frame (#9) to the holes of the legs (#10), then secure by using bolts (#A). Align the last stool leg (#10) to the holes of the seat (#8) and stool frame (#9). Secure by using bolts (#A).





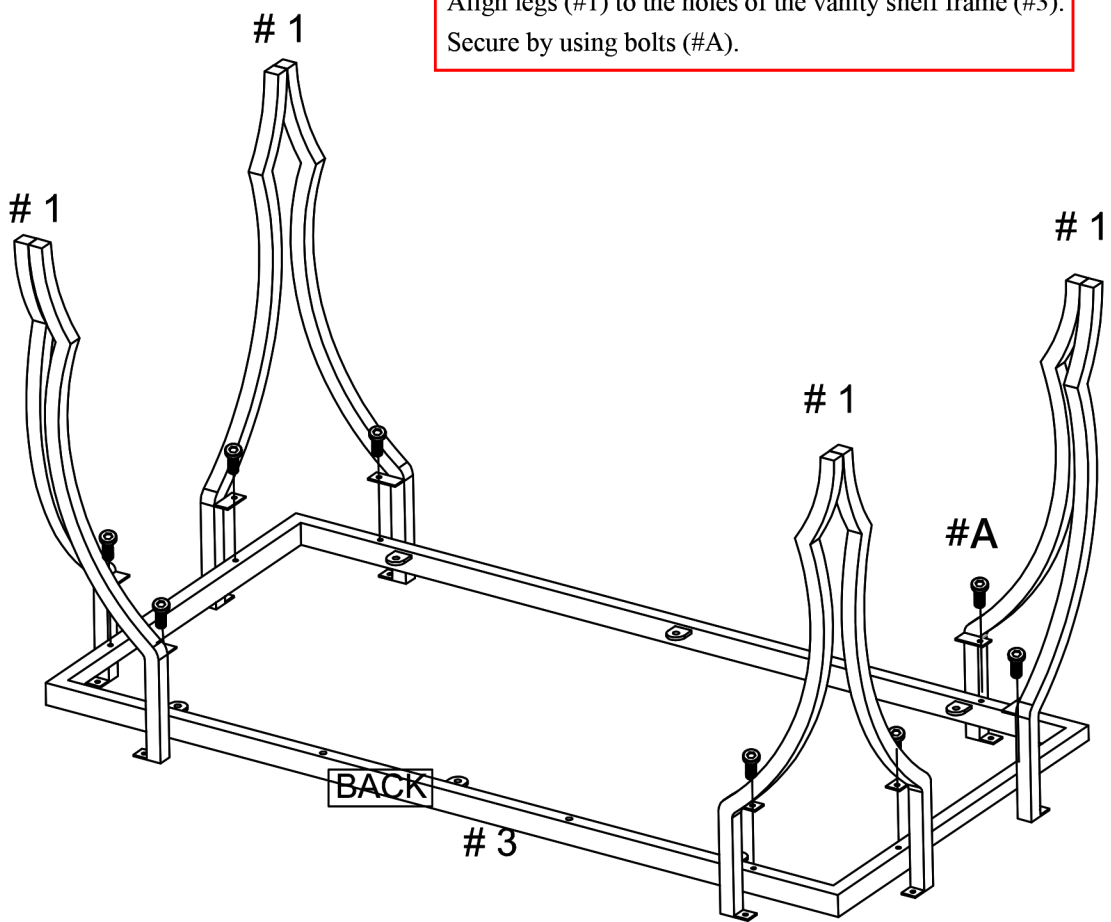
#3

Attach end caps (#C) to the end of each legs.



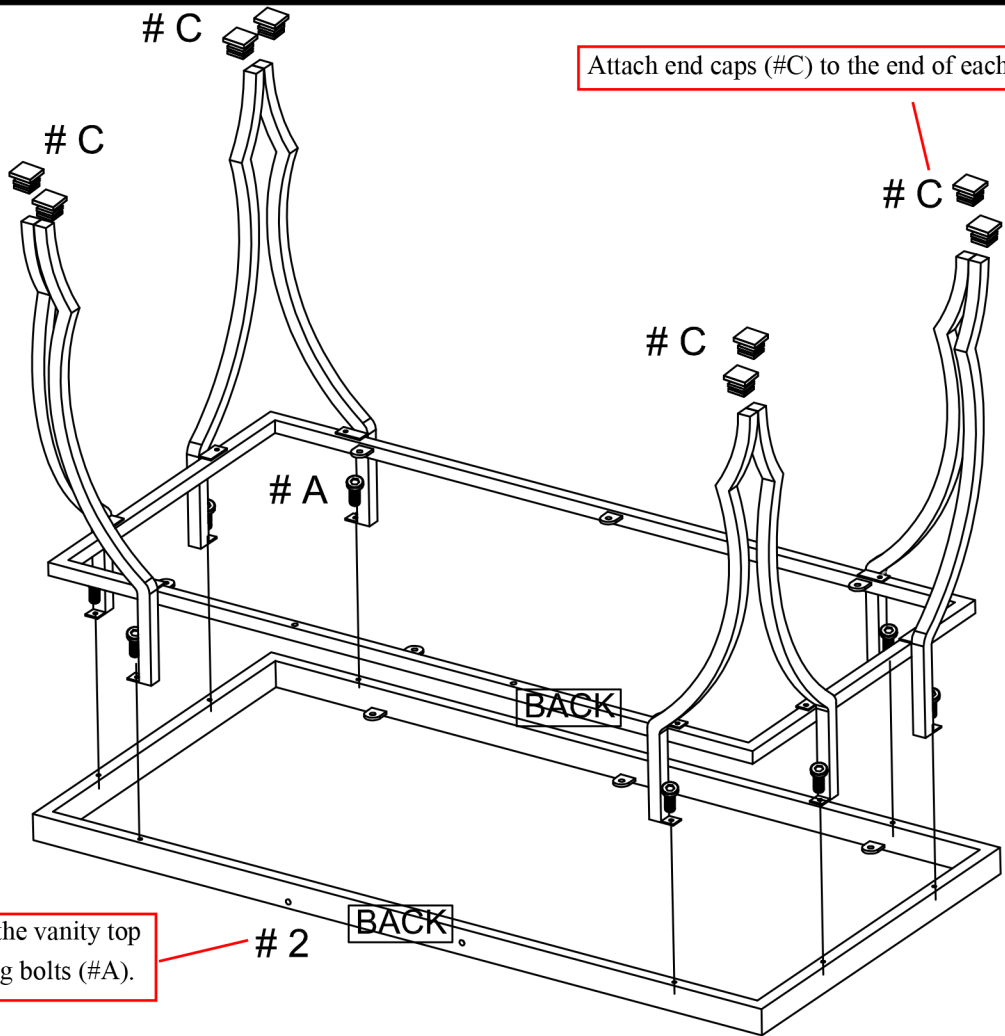
#4

Align legs (#1) to the holes of the vanity shelf frame (#3). Secure by using bolts (#A).

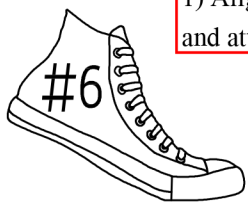




#A 8pcs  
#C 8pcs

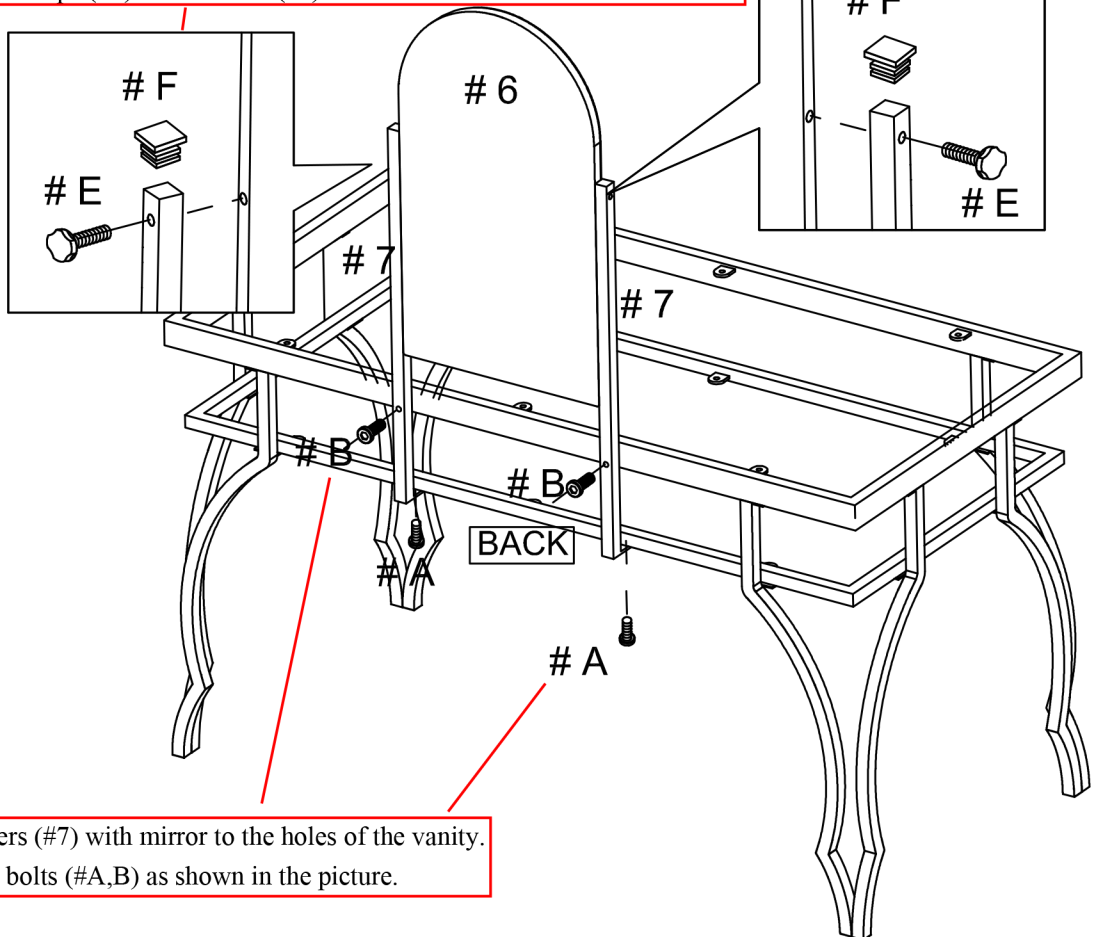


Align legs (#1) to the holes of the vanity top frame (#2), then secure by using bolts (#A).



#A 2pcs  
#B 2pcs  
#F 2pcs  
#E 2pcs

1) Align mirror (#6) to the holes of the stretchers (#7). Secure by using bolts (#E) and attach end caps (#F) to stretchers (#7).



2) Align stretchers (#7) with mirror to the holes of the vanity. Secure by using bolts (#A,B) as shown in the picture.



#D 12pcs

Attach glass tips (#D) to the tabs of the vanity. Carefully place the glasses (#4,5) to the glass tips (#D).

