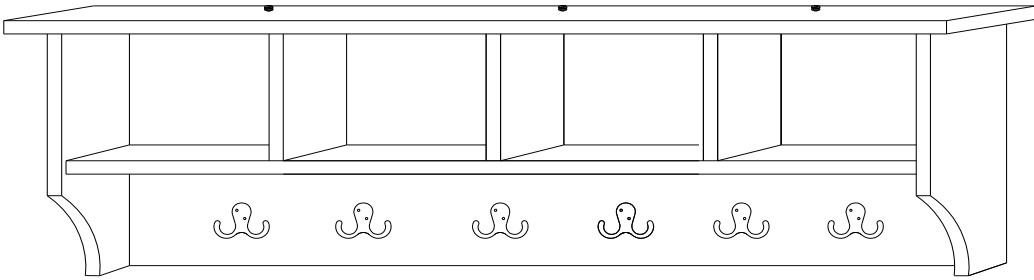


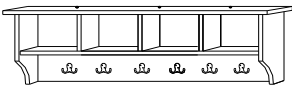
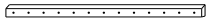
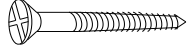
Coat Hooks with Storage



Thank you for purchasing our Coat Hooks with Storage. Assembly of this product requires a screwdriver. **We have found it helpful to have a second person present in at least one step of the assembly.**

Coat Hooks with Storage Assembly Instructions

Lay out all parts on a "non-abrasive" surface to avoid scratching furniture.

NO.	DRAWING	DESCRIPTION	Q'TY
A		HUTCH SHELF	1
B		FRENCH CLEAT	1
C		WOOD SCREW 4*50	6

PARTS

Step 1

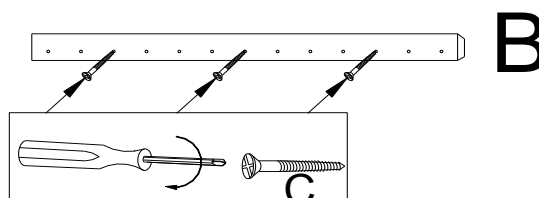
Read through these instructions thoroughly before beginning assembly. We have found this to be of great value when first assembling this product.

Step 2

Remove all parts and hardware from packing material. Wooden pieces should be placed on a non abrasive surface (like the carton or carpet) to prevent damage to the finish. Note the French Cleat (B) is pre-installed on the back of the Hooks (A) with 3 of the Wood Screws (C).

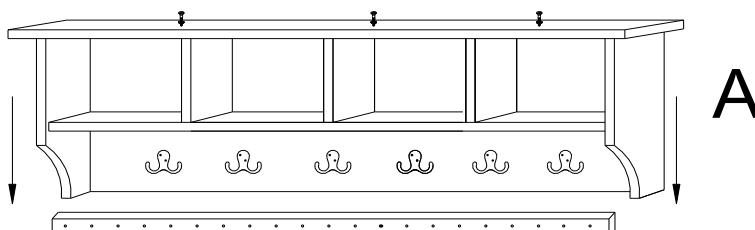
Step 3

Remove the French Cleat (B) from the back of the Hooks (A) by unscrewing 3 of the pre-installed Wood Screws (C) on the top of the Hooks (A). Locate studs behind drywall in desired location. Attach French Cleat (B) to wall studs with 3 Wood Screws (C).



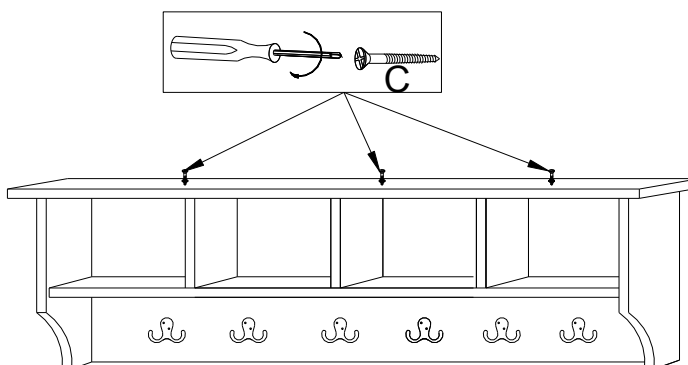
Step 4

Set Hooks (A) on French Cleat (B) and attach with 3 Wood Screws (C).



Step 5

It is recommended that the shelf be stud mounted for stability.



CARE

Clean with mild soap and wipe dry.
