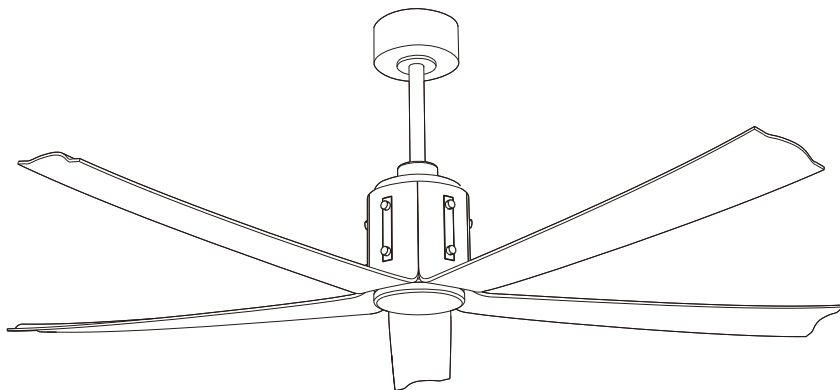


# OWNER'S INSTALLATION GUIDE

Please read and save these instructions

60" Ceiling Fan



MODEL:CFR605T1L

Technical Parameter: AC 120V 60HZ

Please read and follow all the instructions carefully before using this product.

**The product image shown here is indicative only.**

**Actual product you receive may differ.**

# Table of Contents

Table of Contents .....	1	Exploded View.....	3
Safety Information.....	1	Installation Instructions.....	4-12
Product Dimensions .....	2	Troubleshooting Guide .....	13
Hardware Included .....	2	Care & Cleaning .....	14
Fan Parts Included .....	2	FCC Statement .....	14

## Safety Information

### READ AND SAVE THESE INSTRUCTIONS

1. To reduce the risk of electric shock, ensure electricity has been turned off at the circuit breaker or fuse box before you begin.

2. All wiring must be in accordance with the National Electrical Code "ANSI/NFPA 70" and local electrical codes. Electrical installation should be performed by a qualified licensed electrician.


3. The outlet box and support structure must be securely mounted and capable of reliably supporting a minimum of 35 lbs (15.9 kg). Use only UL Listed outlet boxes marked "Acceptable for Fan Support of 35 lbs. (15.9 kg) or less."


4. Do not place objects in the path of the blades.


5. To clean the fixture, turn off the power, wait for it to cool, and wipe the fixture with a clean, soft cloth.


6. After making electrical connections, spliced conductors should be turned upward and pushed carefully up into the outlet box. The wires should be spread apart with the grounded conductor and the equipment grounding conductor on one side of the outlet box and ungrounded conductor on the other side of the outlet box.


7. All screws must be checked and tightened where necessary before installation.


 **WARNING:** To reduce the risk of electrical shock or fire, not use this fan with any solid-state fan speed control device. It will permanently damage the electronic circuitry.


 **WARNING:** To reduce the risk of personal injury, do not bend the blade brackets when installing the brackets balancing the blades, or cleaning the fan.


 **WARNING:** To reduce the risk of fire, electric shock or personal injury, only mount to outlet boxes marked "acceptable for fan support of 35 lbs. (15.9 kg) or less" and use screws provided with the outlet box.


 **WARNING:** To avoid possible electrical shock, turn the electricity off at the main fuse box before wiring.

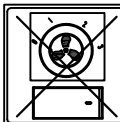
 **WARNING:** To reduce the risk of electrical shock, this must be installed with an isolating wall control / switch.


 **CAUTION:** To reduce the risk of personal injury, use only the screws provided with the outlet box.

 **CAUTION:** Please be careful when working around or cleaning the fan to avoid injury or damage to the fan.

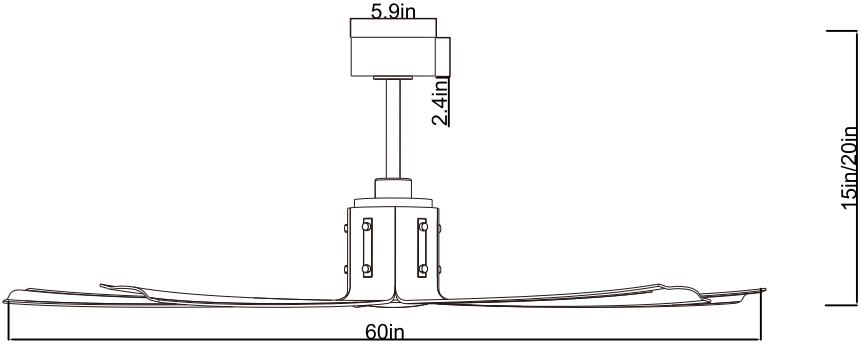
 **CAUTION:** The fan must be mounted with a minimum of 7 ft (2.1 m) clearance from the bottom of the blades to the floor.

 **CAUTION:** Changes or modifications not expressly approved by the party responsible for compliance could void the user's authority to operate the equipment.

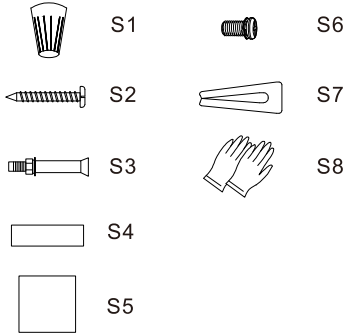


 **CAUTION:** Do not use this fan with any solid state speed controls, dimmer switches, or any other switches that can be regulated.

# Product Dimensions

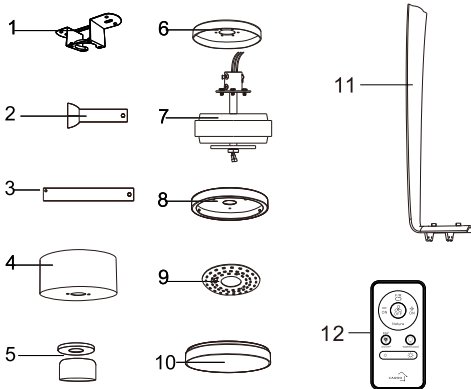


# Hardware Included



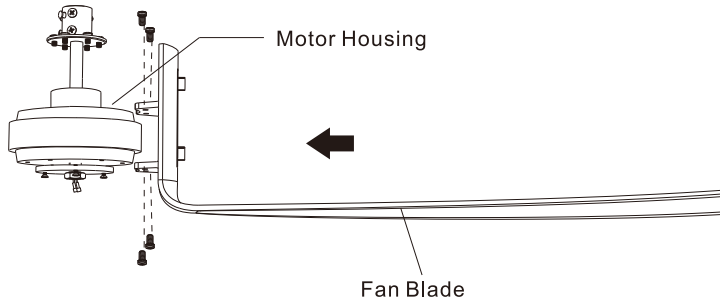
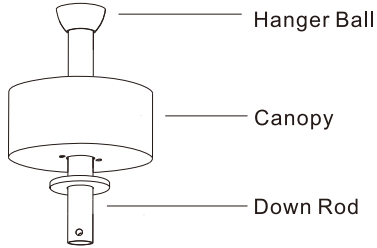
Hardware Package	Quantity
S1. Wire Connector	5
S2. Wood Screw	4
S3. Expansion Screw	2
S4. Sponge Pad	2
S5. Balance Patch	1
S6. Fan Blade Screw	21
S7. Balance Clip	1
S8. Gloves	1

# Fan Parts Included



Name	Quantity
1. Hanger Bracket	1
2. Short Down Rod	1
3. Long Down Rod	1
4. Canopy	1
5. Decorative Cover	1
6. Motor Cover	1
7. Motor Housing	1
8. Lamp Housing	1
9. LED Board	1
10. Lampshade	1
11. Fan Blade	5
12. Remote Control (Batteries Not Included)	1

# Exploded View



# Installation Instructions

## Step 1: MOUNTING BLADES TO THE MOTOR

- Align the fan blades with the motor holes and tighten the screws. (Figure 1)

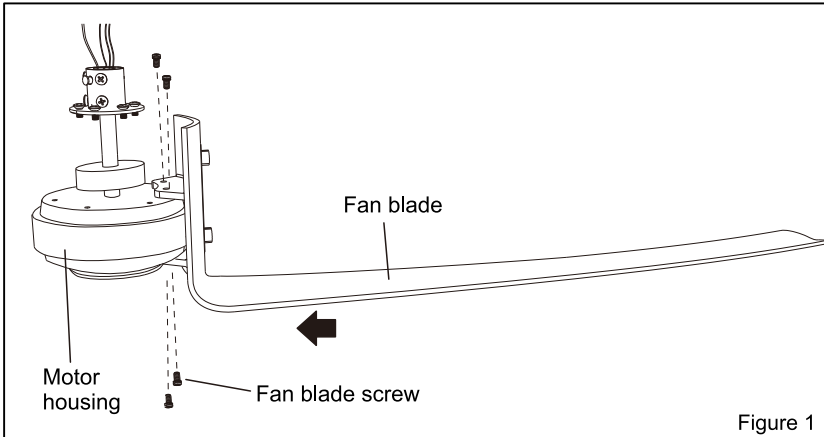


Figure 1

## Step 2: INSTALL MOTOR COVER

- Remove the six screws, clevis pin and cotter pin from the motor. (Figure 2.1)

- Place the motor cover on top and align it with the hole position, and tighten the six screws. (Figure 2.2)

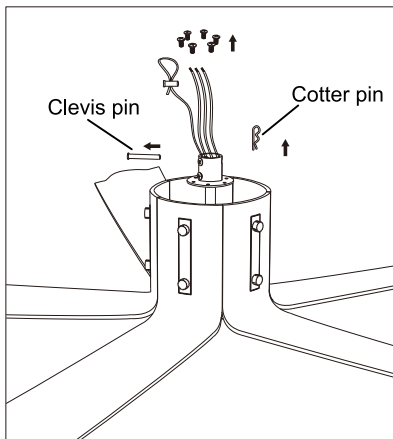


Figure 2.1

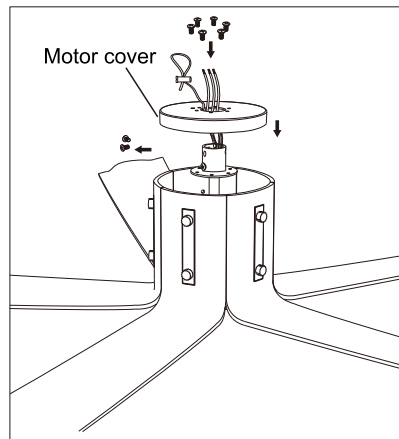


Figure 2.2

# Installation Instructions

## Step 3: INSTALL THE DOWN ROD, CANOPY AND DECORATIVE COVER

- Take out the canopy, magnetic cover, and decorative cover and pass them through the down rod. (Figure 3.1)
- Thread the electric wire from the motor through the down rod, (Figure 3.2)
- Insert the clevis pin into the hole in the rod, being careful not to damage or cut the fan wire, and secure it with a cotter pin through the hole at the end of the clevis pin. (Figure 3.3)
- Secure the down rod in place by tightening the jam screws. Pull the decorative cover downwards and it will be flush with the motor housing. (Figure 3.4)

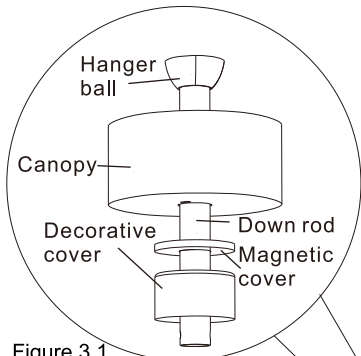


Figure 3.1

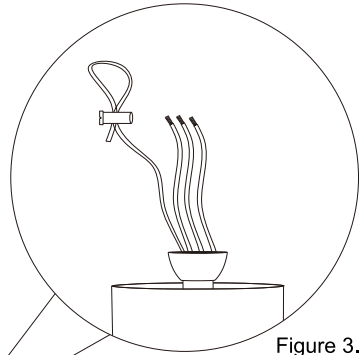


Figure 3.2

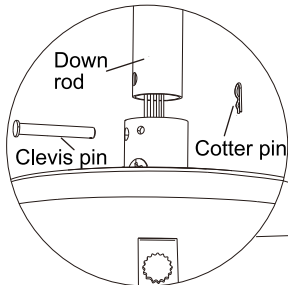


Figure 3.3

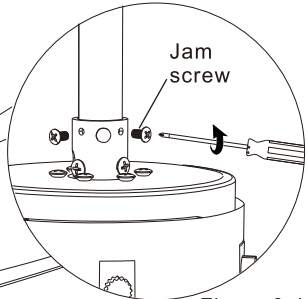


Figure 3.4

**CAUTION:** To ensure wobble-free operation and to avoid damage to the fan, the down rod and screws must be completely tightened.

# Installation Instructions

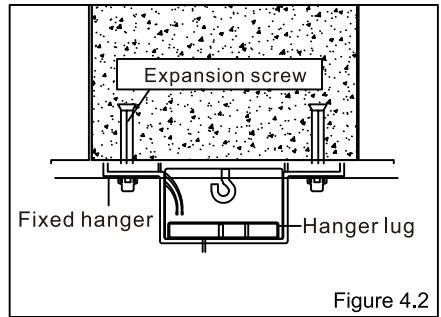
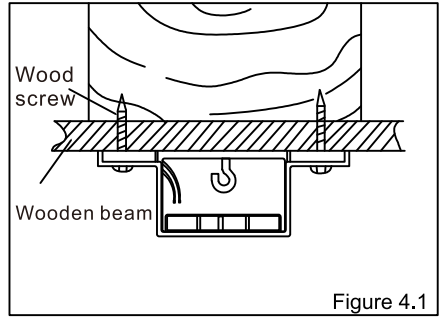
## Step 4: INSTALL THE HANGER BRACKET

- For Wooden Ceiling: Drill a pilot hole in your ceiling with the power drills first, then secure the bracket with wood screws. (Figure 4.1)

- For Concrete Ceiling: Drill two holes in the ceiling and secure the mounting bracket to the ceiling with two  $\Phi 0.32$ " (8mm) expansion screws, flat washers, and nuts provided and tighten with a spanner. (Figure 4.2)

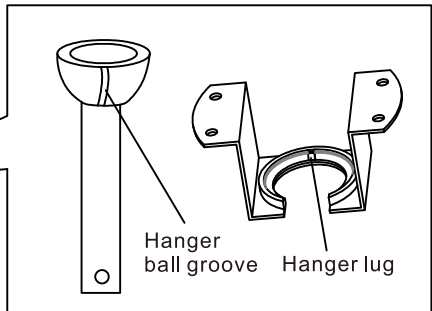
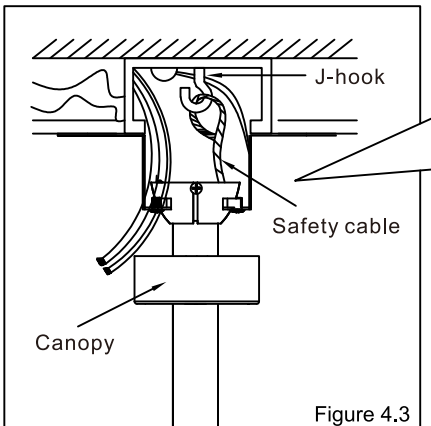
- For Installing to the Outlet Box: Use the machine screws (provided with the outlet box) and washers to attach the mounting bracket to an existing ceiling fan-rated outlet box. If the mounting bracket is installed at the outlet box, it should be secured using the screws that came with your outlet box. Pull the supply wires (the black, white, and ground wires) out of the outlet box and through the hole in the mounting bracket, then set them aside.

**WARNING:** DO NOT use a plastic outlet box. Use only U.L. listed outlet boxes marked "Acceptable for Fan Support of 15.9 kg (35 lbs.) or less."



- Hang the ball joint and fan on the hanger, rotate the rod gently, make sure the hanger lug is installed in the ball groove, and secure the safety cable on the J-hook (not included). (Figure 4.3)

**IMPORTANT:** If using the angle mount method, ensure that the ceiling angle is not steeper than  $15^\circ$ .



# Installation Instructions

## Step 5: LIGHT KIT

**WARNING:** BE SURE TO TURN OFF POWER BEFORE INSTALLING

- Remove one screw from the circular plate at the bottom of the motor, then loosen the other two keyhole screws, but do not remove them completely. Attach the lamp housing to the circular plate, making sure the two screw heads fit through the keyhole slots. Twist the lamp housing until the screws slide into the narrow ends of the keyhole slots. Securely tighten all screws, and then reinstall the screw that was previously removed. Ensure that all screws are securely tightened.
- Connect the terminal under the motor to the LED board. Secure the LED board to the lamp housing with magnets.
- Finally install the lampshade inside the lamp housing by rotating clock-wise to complete the installation.

**Note:** Do not over tighten the lampshade.

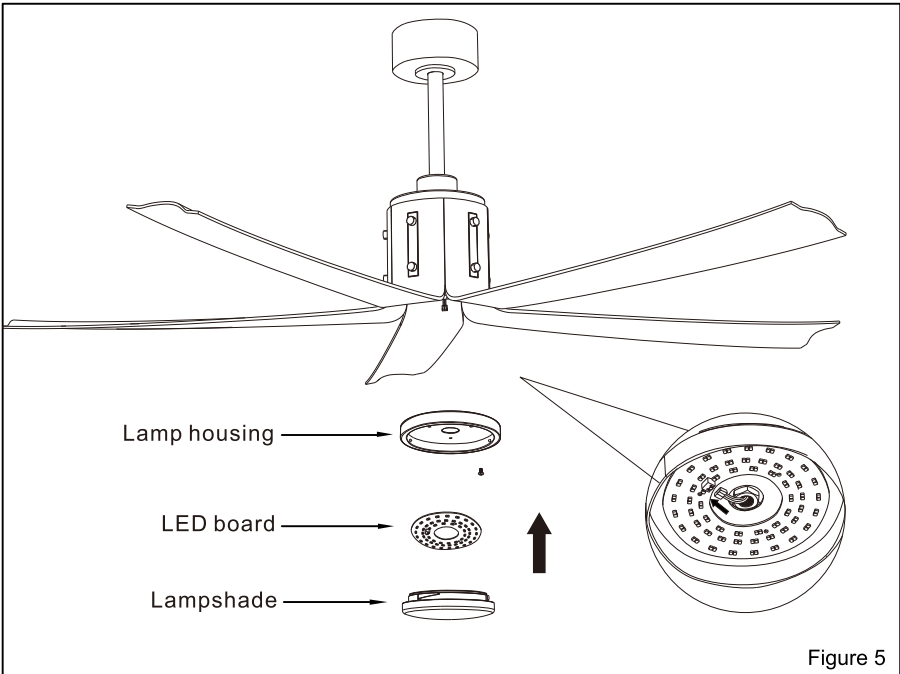


Figure 5

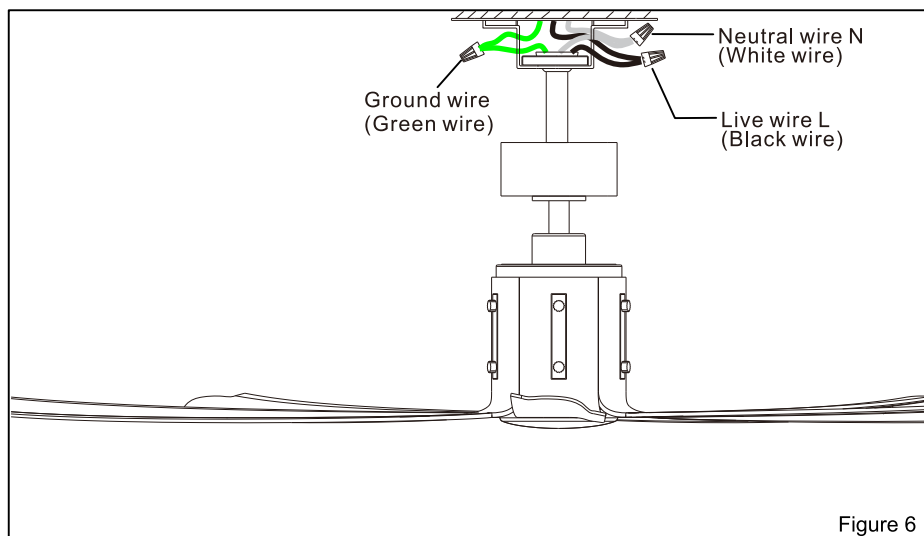
**WARNING:** Check that all connections and screws are securely tightened before the next step.

# Installation Instructions

## Step 6: ELECTRICAL CONNECTION

**WARNING:** BE SURE TO TURN OFF POWER BEFORE INSTALLING

- Make the following wire connections using the wire nuts supplied. Connect the GREEN fan wire to the BARE (ground) wire, connect the BLACK fan wire to the BLACK supply wire, connect the WHITE fan wire to the WHITE supply wire. (Figure 6)



**NOTE:** Once all of the wires are connected, carefully tuck all wires into the metal box making sure that the wires are clear of the hanger ball and down rod when positioned in the mounting bracket.

# Installation Instructions

## Step 7: HOW TO INSTALL THE CANOPY HOUSING

Push all connected wires up into the ceiling box.

- When installing the canopy, ensure the electric wire is not pressed or pinched by the canopy. Make sure to connect all wires accordingly. (Figure 7.1)
- Rotate the canopy upwards towards the screws on the hanger and tighten the screws. (Figure 7.2)

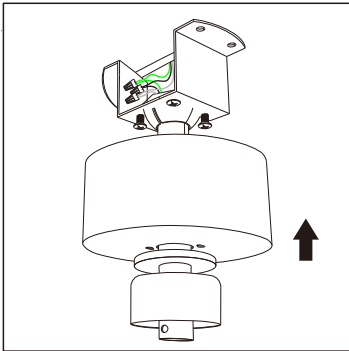


Figure 7.1

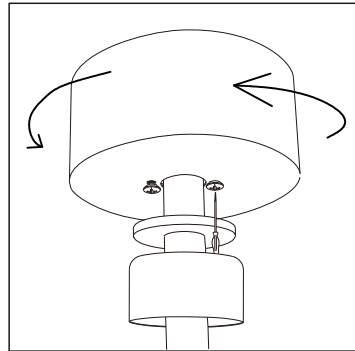


Figure 7.2

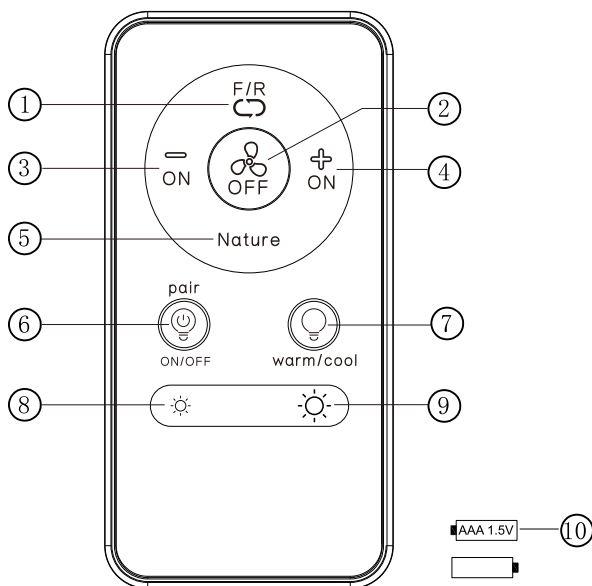
**CAUTION:** When installing the ceiling fan cover, be careful not to press or pinch any of the wires, it is easy to breakdown the wire and cause a short-circuit.

## Step 8: POWER ON

At this time, the ceiling fan has been installed. Turn on the power supply from the circuit breaker of the main switch or the room where the ceiling fan is installed. Once the power is on, pair the fan with the remote immediately.

# Installation Instructions

## Instructions for remote control




- |                      |  |
|----------------------|--|
| 1. Forward / Reverse | 6. Light On / Off & Remote Pairing         |
| 2. Fan Off           | 7. Warm / Cool Light                       |
| 3. Fan On & Speed -  | 8. Dimming -                               |
| 4. Fan On & Speed +  | 9. Dimming +                               |
| 5. Natural Wind      | 10. AAA/1.5V battery X 2pcs (not included) |

# Installation Instructions

---

## Pair the Remote Control to Your Fan

Power on the fan and pair the remote to the fan within 1 min. To pair remote to fan, press and hold  button for 5-10 secs. Successful pairing will trigger the fan light off.

## Remote Control Button Definitions



Turn the fan off.



Switch between summer mode and winter mode.

-Summer mode - (Counter-clockwise)

-Winter mode - (Clockwise )



Turn the fan on and decrease fan speed.




Turn the fan on and increase fan speed.

**Nature** Toggle the fan speed between "Nature Mode" and "Breeze Mode". Simulate a soothing breeze that is gentle enough not to disrupt your sleep. To revert to the fan's regular mode, simply press either the speed-up or speed-down button.



Turn the light on or off and remote pairing.

Note: Power on the fan and pair the remote to the fan within 1 min. To pair remote to fan, press and hold  button for 5-10 secs to pair. Successful pairing will trigger the fan light off.



Switch between warm light and cool light.



Press/Hold button to decrease the light intensity.



Press/Hold to button to increase the light intensity.

**WARNING:** Do not expose the remote control to direct contact with water.

# Installation Instructions

## Down rod replacement installation method:

- In order to better experience the ceiling fan lighting effect and prevent the danger of contact, choose the correct down rod length according to the height of the ceiling.

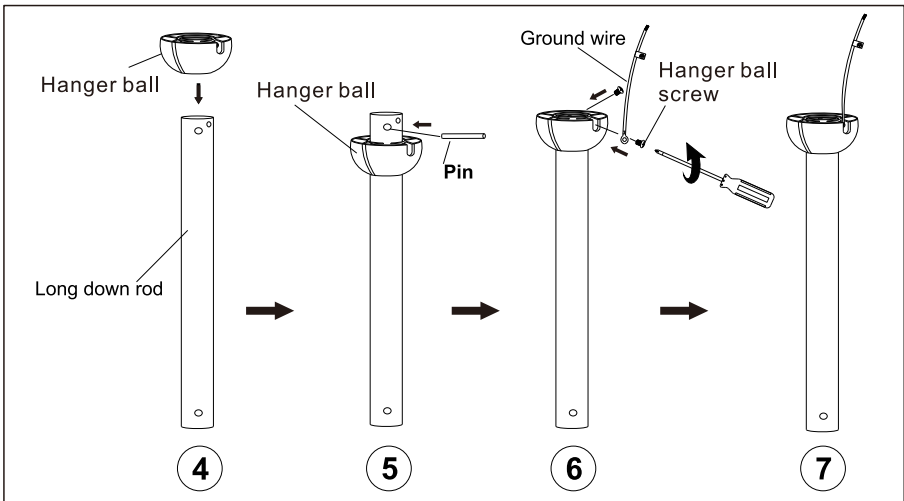
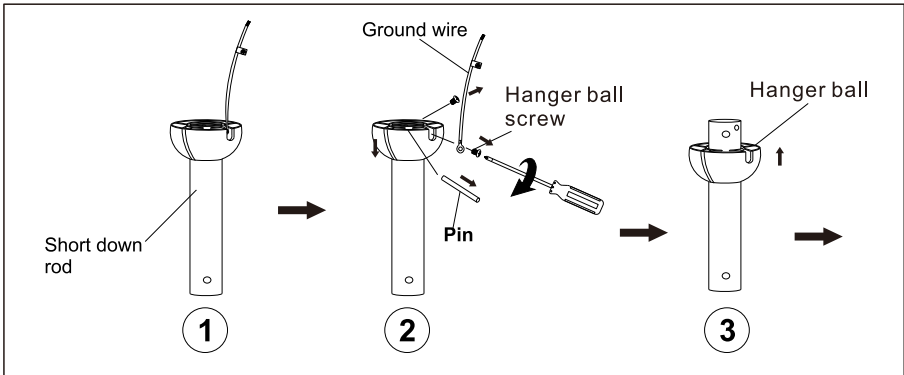
 **WARNING**



### FAN FALL HAZARD

To prevent **SERIOUS INJURY** or **DEATH**:

- ALWAYS follow the down rod assembly instructions exactly.
- VERIFY the down rod is assembled correctly by firmly pulling on the hanger ball.
- Pin must be reinserted to secure down rod assembly.



# Troubleshooting Guide

If you have difficulty operating your new ceiling fan it may be the result of incorrect assembly, installation, or wiring. In some cases these installation errors may be mistaken for defects. If you experience any issues, please check this troubleshooting guide.

	Problem	Suggested Remedy
1	If fan does not work.	<ul style="list-style-type: none"> <li><input type="checkbox"/> Check the fuses or circuit breakers of the main and branch circuits.</li> <li><input type="checkbox"/> Check the wiring connections to the fan and the switch wiring connections in the switch housing.</li> <li><input type="checkbox"/> Check the battery in the remote control.</li> </ul>
2	If fan sounds noisy.	<ul style="list-style-type: none"> <li><input type="checkbox"/> Ensure all motor housing screws are snug.</li> <li><input type="checkbox"/> Ensure the screws that attach the fan blade bracket to the motor hub are tight.</li> <li><input type="checkbox"/> Ensure the wire nut connections are not rattling against each other or the interior wall of the switch housing.</li> <li><input type="checkbox"/> Allow a 24-hour "breaking in" period. Most noises associated with a new fan disappear during this time.</li> <li><input type="checkbox"/> If you are using the Ceiling Fan light kit, ensure the screws securing the glassware are tight. Check that the light bulbs are also secure.</li> <li><input type="checkbox"/> Ensure the canopy is a short distance from the ceiling. It should not touch the ceiling.</li> <li><input type="checkbox"/> Ensure your outlet box is secure and rubber isolator pads were used between the mounting plate and outlet box.</li> </ul>
3	If fan wobbles.	<ul style="list-style-type: none"> <li><input type="checkbox"/> Check that all blades are screwed firmly into blade holders.</li> <li><input type="checkbox"/> Check that all blade holders are tightened securely to motor.</li> <li><input type="checkbox"/> Make sure that canopy and mounting bracket are tightened securely to ceiling junction box and junction box is mounted firmly to ceiling joist.</li> <li><input type="checkbox"/> Most fan wobble problems are caused when blade levels are unequal. Check this level by selecting a point on the ceiling above the tip of one of the blades keeping measure within 1/8 in. Rotate the fan until the next blade is positioned for measurement. Repeat for each blade. If all blade levels are not equal you can adjust blade levels by the following procedure. To adjust a blade tip down insert a washer (not supplied) between the blade and blade holder at the screw closest to the motor. To adjust a blade tip up insert washer (not supplied) between the blade and blade holder at the two screws farthest from the motor.</li> <li><input type="checkbox"/> If blade wobble is still noticeable, interchanging two adjacent (side by side) blades can re-distribute the weight and possibly result in smoother operation.</li> </ul>
4	If light does not work.	<ul style="list-style-type: none"> <li><input type="checkbox"/> Check the black wire from fan to make sure it is connected to hot wire from the house.</li> <li><input type="checkbox"/> Check for loose or disconnected wires in the fan switch housing.</li> <li><input type="checkbox"/> Check for loose or disconnected wires in the light kit.</li> <li><input type="checkbox"/> Check for faulty light bulbs. CAUTION: Make sure main power is turned off before accessing the switch housing.</li> <li><input type="checkbox"/> If the fan light shuts off shortly after being switched on it may be due to excessive current demand. Turn off power to the fan and replace the light bulbs with lower wattage bulbs. Turn on power to the fan using the pull chain, wall switch, or remote control (whichever is installed on the particular fan).</li> </ul>

## Care & Cleaning

---

1. Check the support connections, brackets, and blade attachments twice a year. Make sure they are secure. Because of the fan's natural movement, some connections may become loose over time. It is not necessary to remove the fan from the ceiling.
2. Clean your fan periodically. Use only a soft brush or lint-free cloth to avoid scratching the finish. The plating is sealed with a lacquer to minimize discoloration or tarnishing.
3. (Optional) Apply a light coat of furniture polish to the wood blades.
4. (Optional) Cover small scratches with a light application of shoe polish.

### **DO NOT:**

1. Use water when cleaning. Water could damage the motor, or the wood, or possibly cause an electrical shock.
2. Apply oil to your fan or motor. The motor has permanently lubricated sealed ball bearings.
3. **WARNING:** Power off the fan before performing maintenance or cleaning the fan.

## FCC Statement

---

**Note:** This equipment has been tested and found to comply with the limits for a Class B digital device, pursuant to part 15 of the FCC Rules. These limits are designed to provide reasonable protection against harmful interference in a residential installation. This equipment generates, uses and can radiate radio frequency energy and, if not installed and used in accordance with the instructions, may cause harmful interference to radio communications. However, there is no guarantee that interference will not occur in a particular installation. If this equipment does cause harmful interference to radio or television reception, which can be determined by turning the equipment off and on, the user is encouraged to try to correct the interference by one or more of the following measures:

- Reorient or relocate the receiving antenna.
- Increase the separation between the equipment and receiver.
- Connect the equipment into an outlet on a circuit different from that to which the receiver is connected.
- Consult the dealer or an experienced radio/TV technician for help.

**WARNING:** Changes or modifications to this unit not expressly approved by the party responsible for compliance could void the user's authority to operate the equipment.