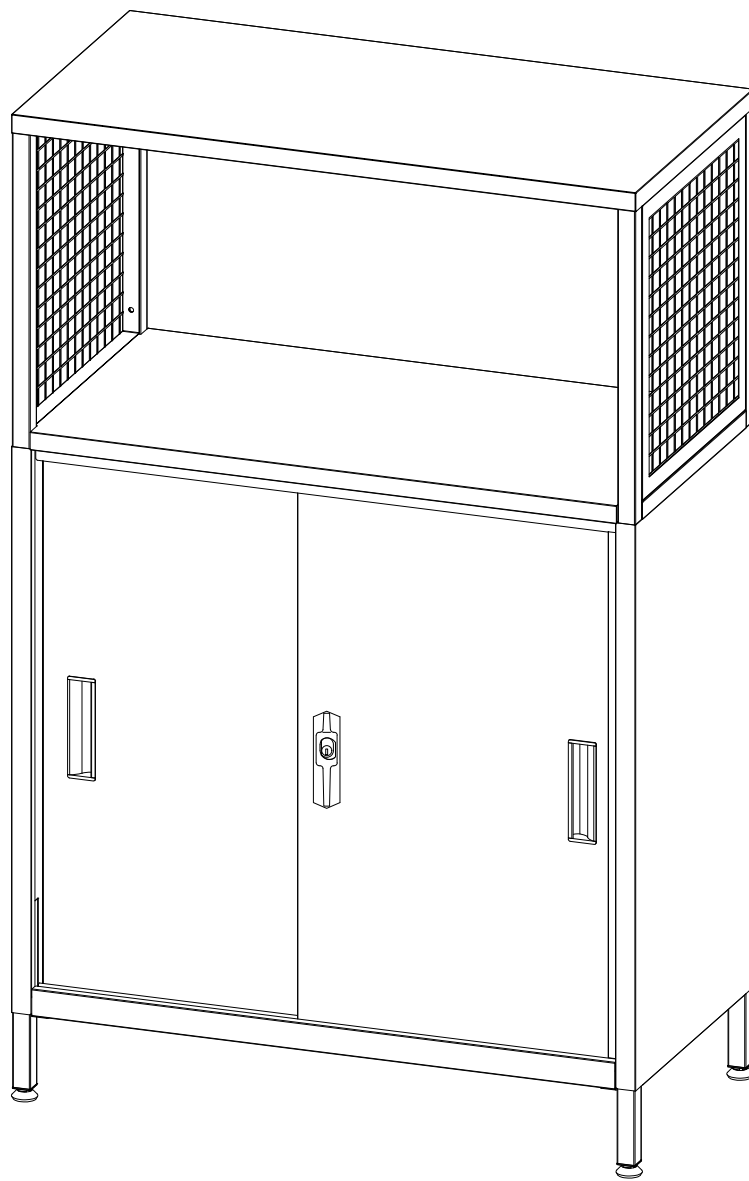
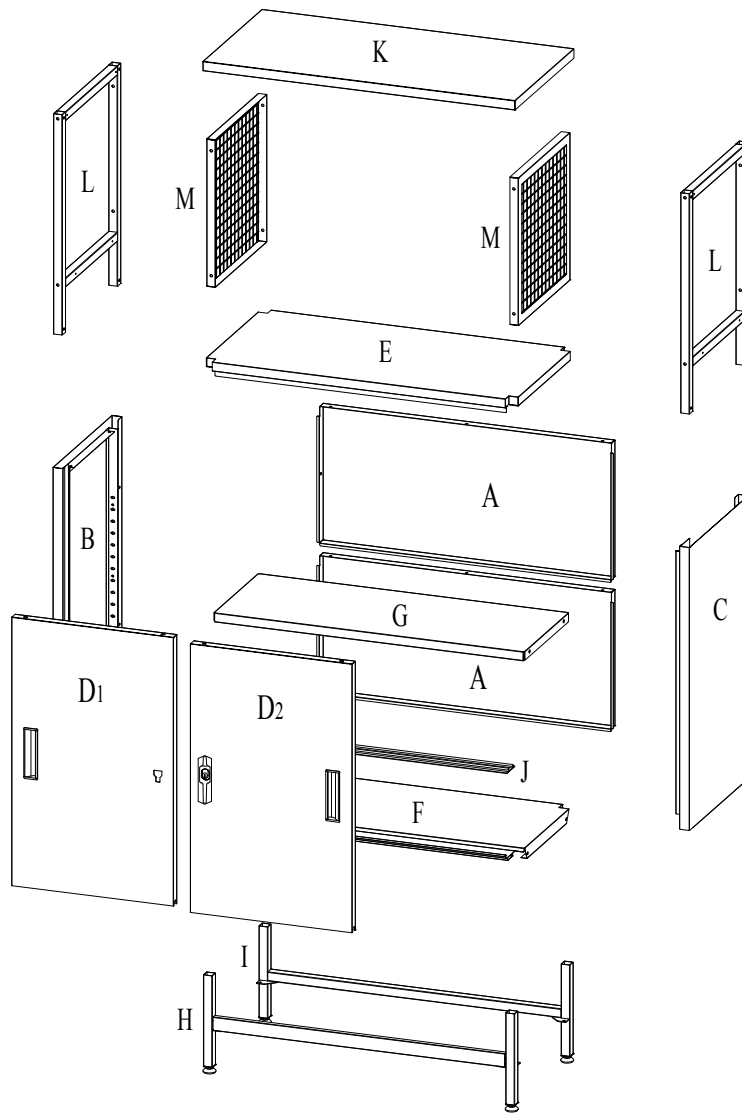
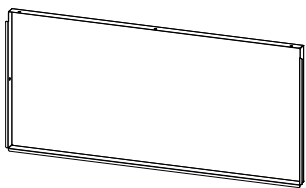


ASSEMBLY INSTRUCTION

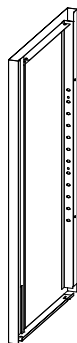




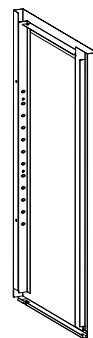
BACK PANEL



LEFT SIDE PANEL



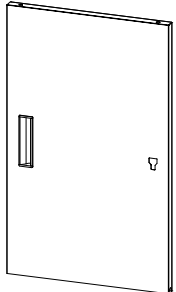
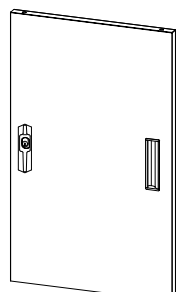

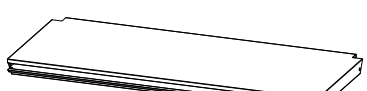

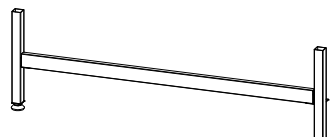
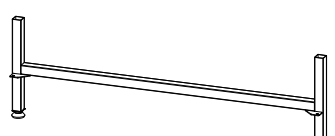


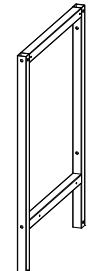
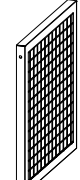

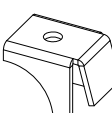
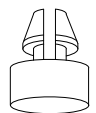
RIGHT SIDE PANEL



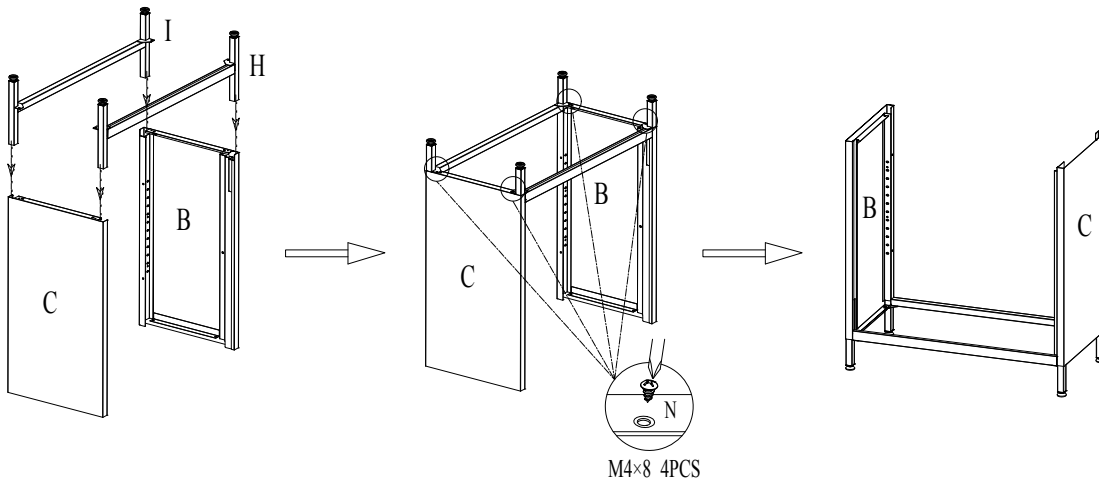
-A
-2 pcs

-B
-1 pc

-C
-1 pc

<p>LEFT DOOR</p>  <p>-D1 -1 pc</p>	<p>RIGHT DOOR</p>  <p>-D2 -1 pc</p>	<p>TOP SHELF</p>  <p>-E -1 pc</p>	<p>BOTTOM PANEL</p>  <p>-F -1 pc</p>
<p>SHELF</p>  <p>-G -4 pcs</p>	<p>FRONT FOOT</p>  <p>-H -1 pc</p>	<p>BACK FOOT</p>  <p>-I -1 pc</p>	<p>SLIDEWAY</p>  <p>-J -1 pc</p>
<p>TOP PANEL</p>  <p>-K -1 pc</p>	<p>RACK</p>  <p>-L -2 pcs</p>	<p>MESH PANEL</p>  <p>-M -2 pcs</p>	<p>SCREWS</p>  <p>-N -31 pcs -M4X8</p>
<p>METAL ACCESSORY FOR SHELF</p>  <p>-O -4 pcs</p>	<p>PLASTIC ACCESSORY</p>  <p>-P -4 pcs</p>		

Step 1 Put front foot (H) and back foot (I) into left side panel (B) and right side panel (C), then using 4 pcs screws (N) to fixed.

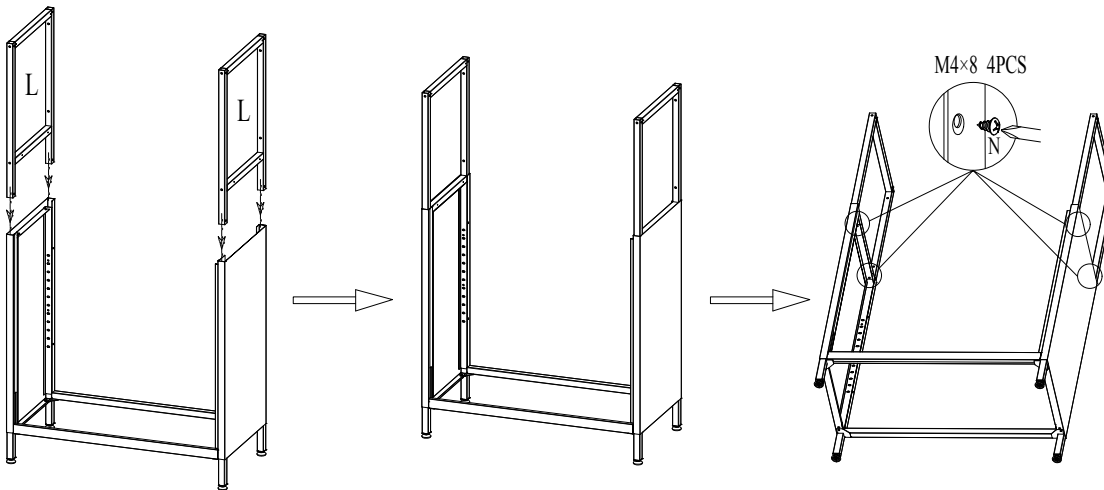


Need



Part B 1PC
Part C 1PC
Part H 1PC
Part I 1PC
Part N 4PCS

Step 2 Install rack (L) as picture shown, then using 4pcs screws (N) to fixed.

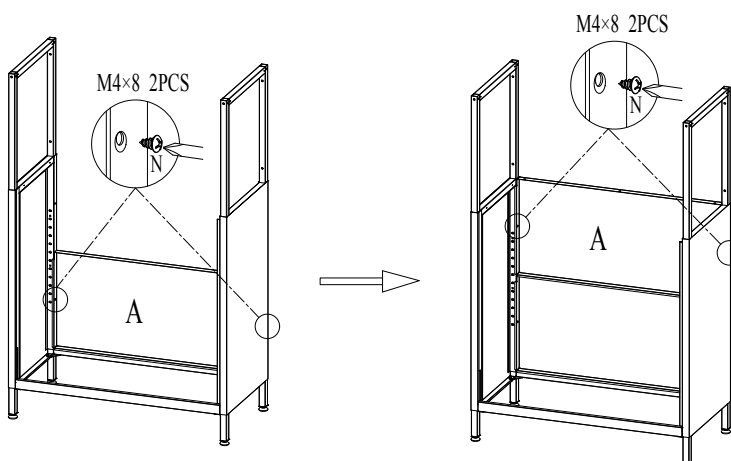


Need



Part L 2PCS
Part N 4PCS

Step 3 Install back panel (A), using 4 pcs screws (N) to fixed.

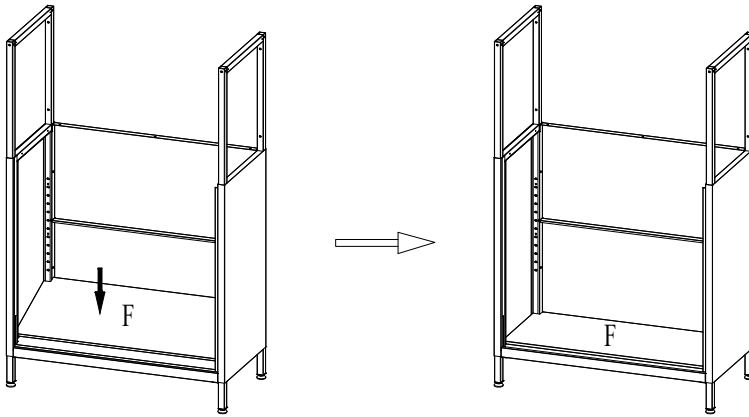


Need



Part A 2PCS
Part N 4PCS

Step 4 Install the bottom panel (F) as picture shown.

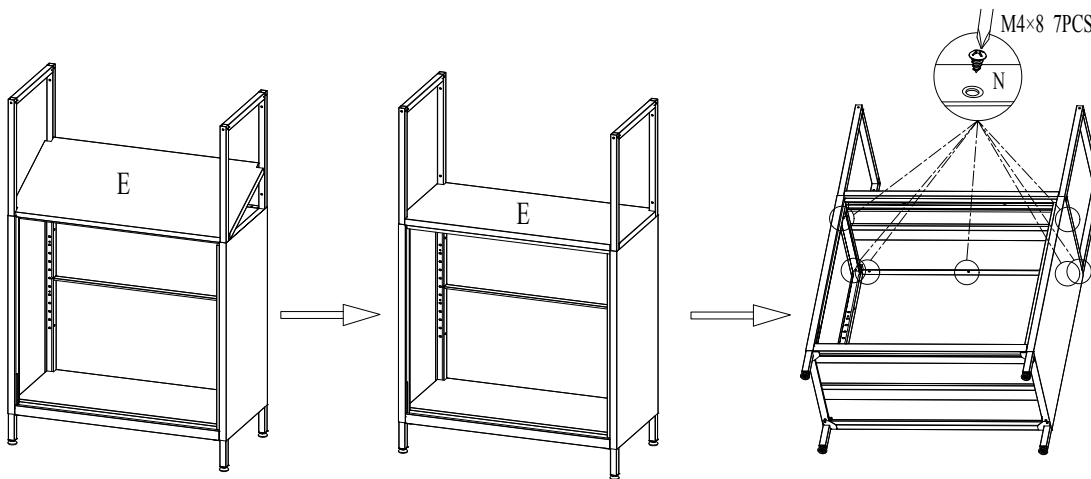


Need



Part F 1PC

Step 5 Install the top shelf (E) into the cabinet, using 7 pcs screws (N) to fixed.

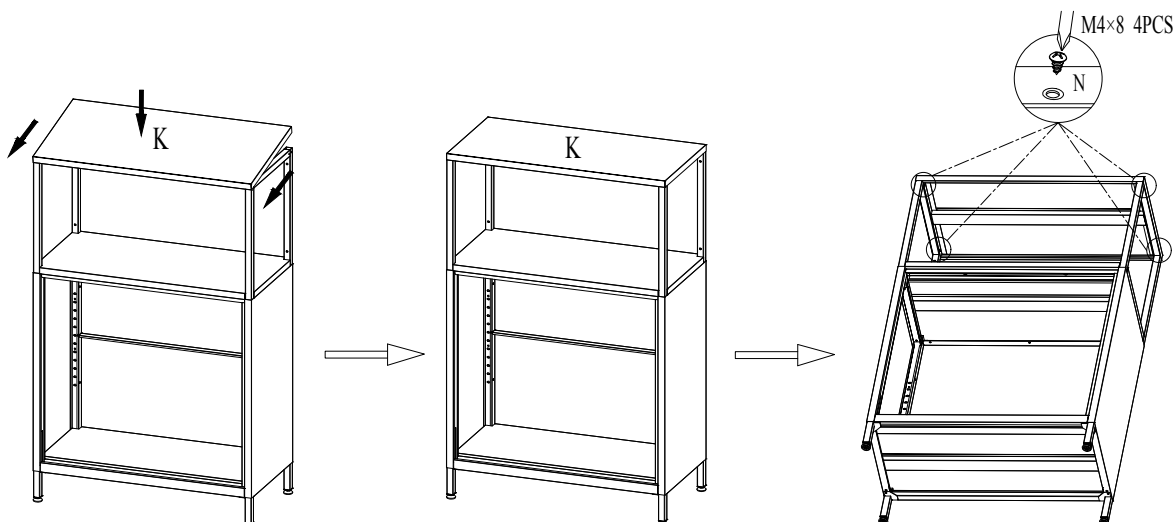


Need



Part E 1PC
Part N 7PCS

Step 6 Install the top panel (K), using 4 pcs screw (N) to fixed.

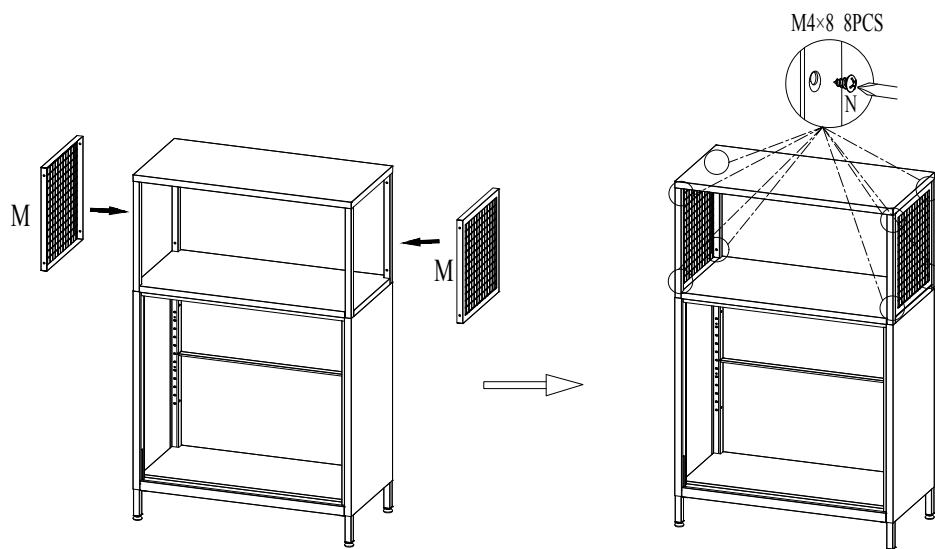


Need



Part K 1PC
Part N 4PCS

Step 7 Attach mesh panel (M) into the rack, using 8 pcs screws (N) to fixed.

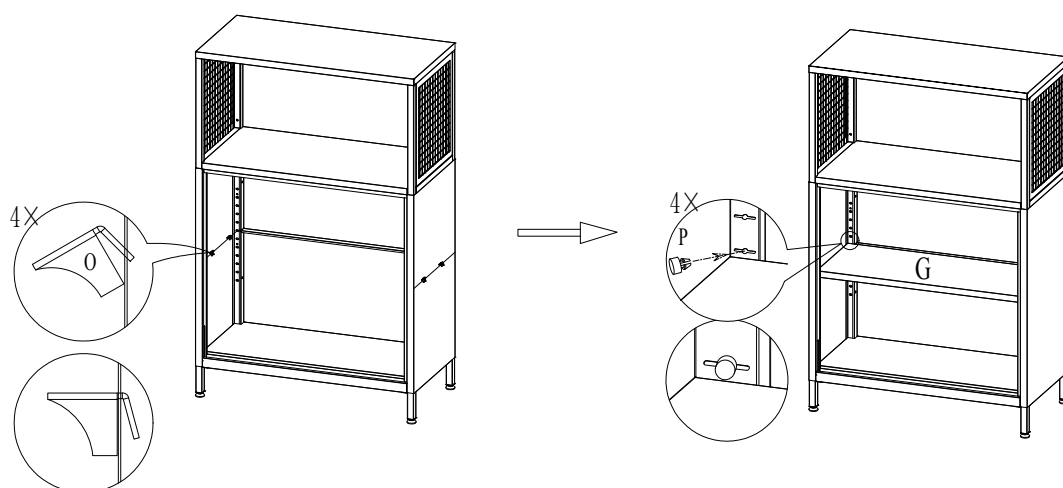


Need



Part M 2PCS
Part N 8PCS

Step 8 Put metal accessories (O) into the hole of bothside, then put shelf (G). Using plastic accessories (P) to fixed shelf.

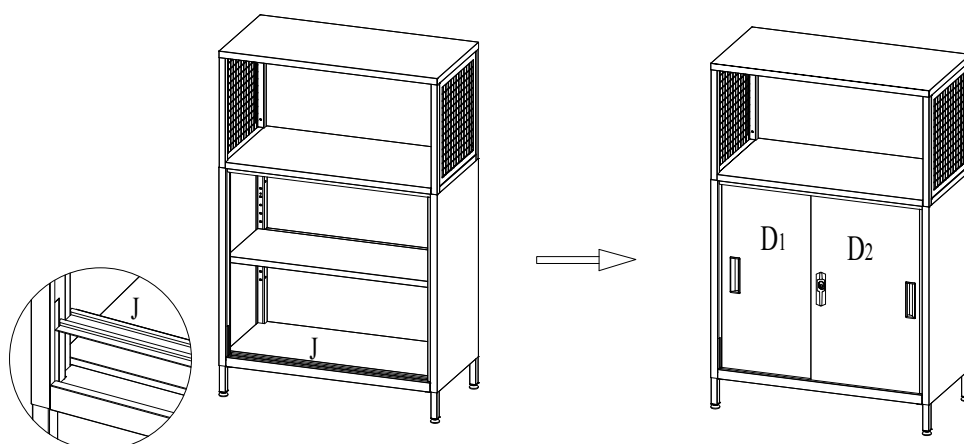


Need



Part G 1PC
Part O 4PCS
Part P 4PCS

Step 9 Put slideway (J) into cabinet, then install left door (D1) and right door (D2).



Need



Part J 1PC
Part D1 1PC
Part D2 1PC