




ASSEMBLY INSTRUCTIONS

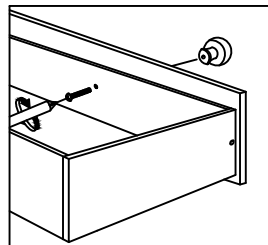
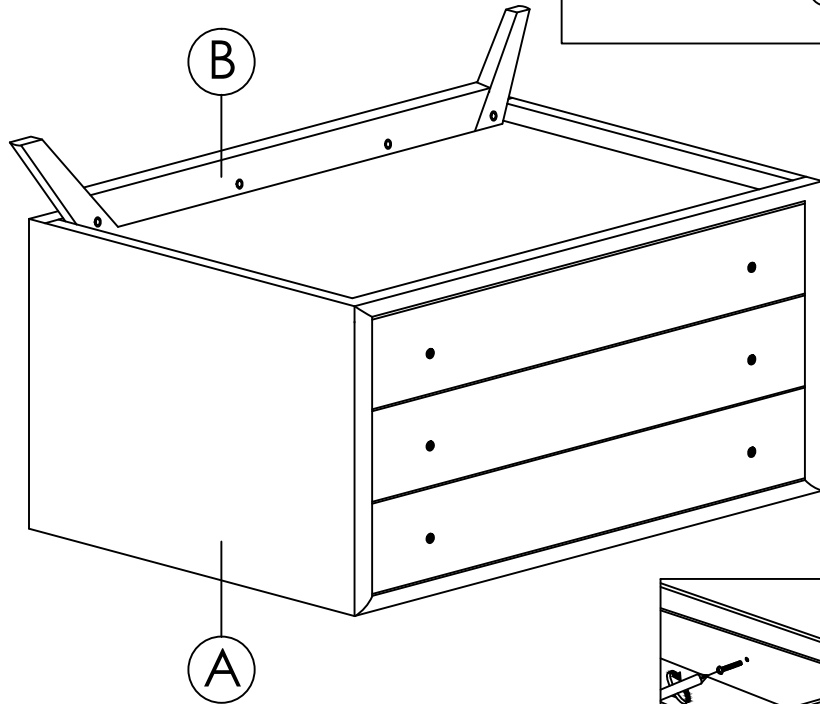
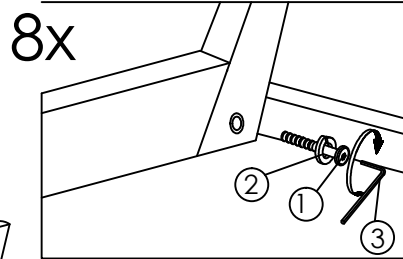
Read these instructions carefully. Refer to hardware and furniture parts list for guidance. Be sure all parts are complete, before assembling. Place all wooden furniture parts on a clean and flat soft surface to prevent scratches. Refer to steps provided as assembling guide.

CAUTIONS :

1. Do not **FULLY-TIGHTEN** the nuts or nut bolts until all are in place.
2. To prevent thread damage. Ensure that nuts or nut bolts are not over-tightened.
3. Hardware is to be kept out of reach of children.

PART LIST			HARDWARE LIST		
ITEM	DESCRIPTION	QTY	ITEM	DESCRIPTION	QTY
A	SIDEBOARD	1 PC	1	JCBC SCREW M6 x 30MM 	8 PCS
B	SIDEBOARD LEG	2 PCS	2	1/4" SPRING WASHER 	8 PCS
			3	M4 ALLEN KEY (BALL SHAPE) LONG 	1 PC

STEP 1



COMPLETED ASSEMBLY

