

Storage Cabinet

WARNING

Serious or fatal injury may occur from unexpected assembly or use.

1. During the assembly process, keep all parts away from babies or children.
2. Always securely fix this product to the wall. Make sure the wall area to be drilled is free from hidden electrical wires, water and gas pipes.
3. Use of tip-over restraints may only reduce, but not eliminate the risk of tip-over.
4. Unless specially designed to accommodate, do not set heavy objects on top of this product.
5. Place the heaviest items on the lowest shelf.
6. Never allow children to climb or bang on drawers, doors or shelves.

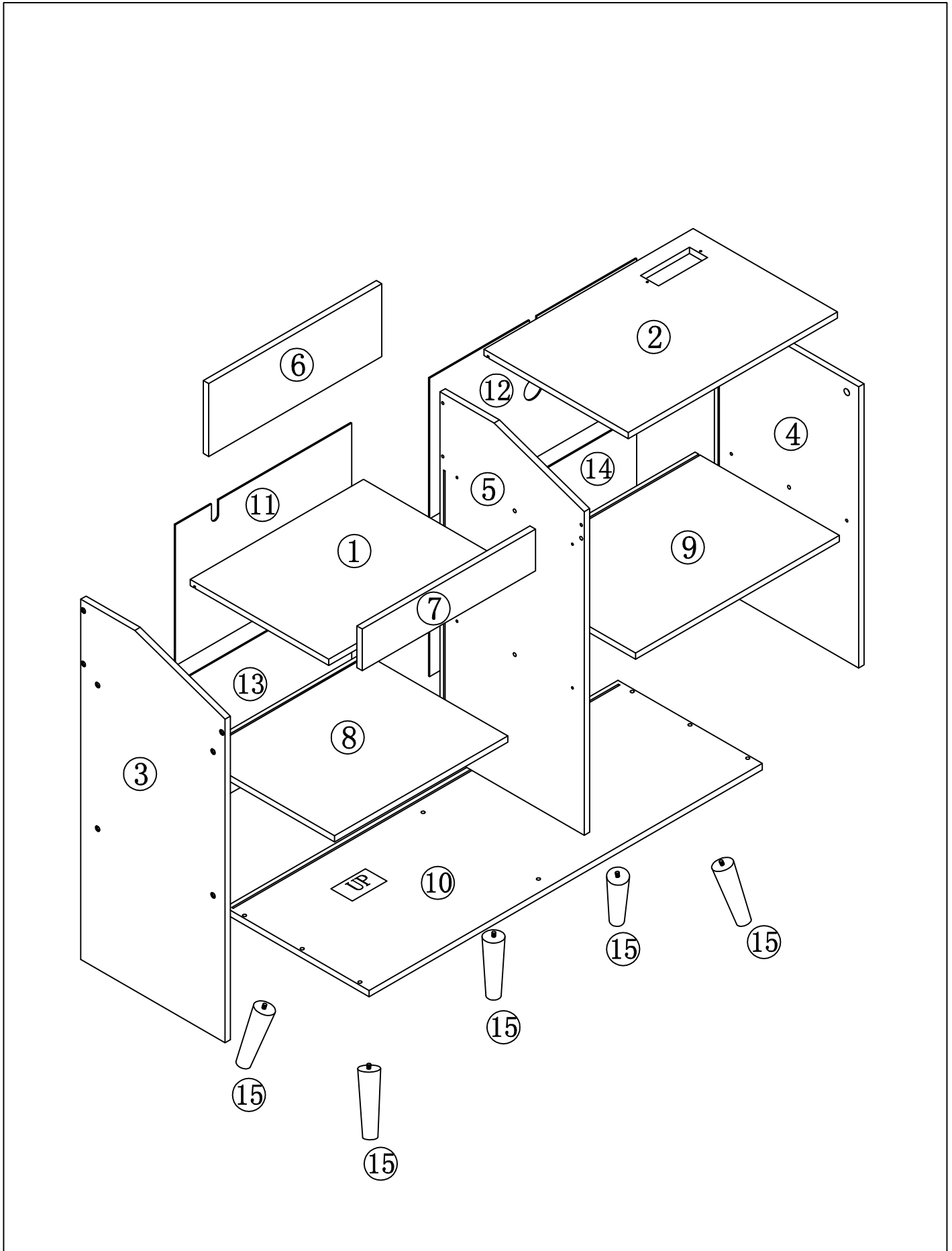
WARNING



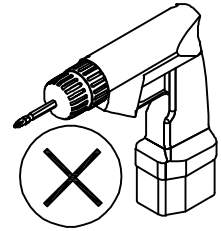
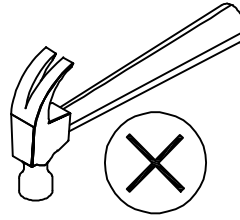
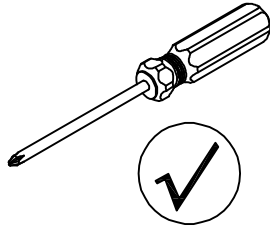
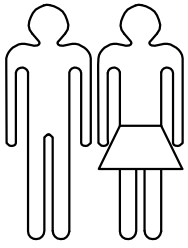
Children have died from furniture tipover. To reduce the risk of furniture tipover:

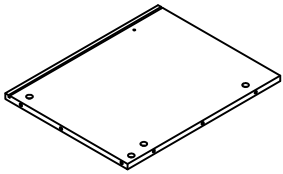
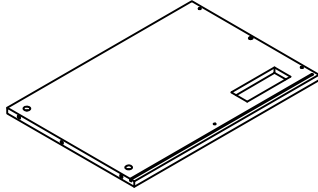
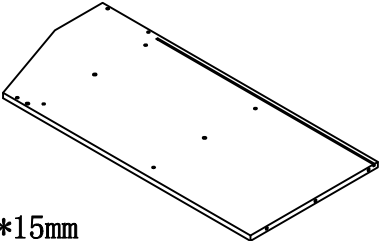
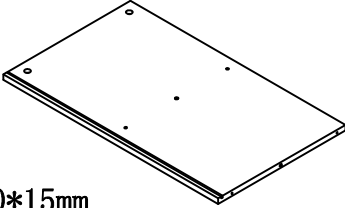
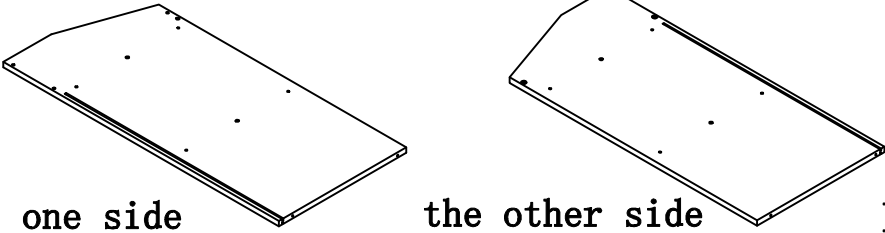
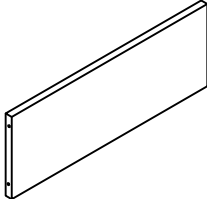
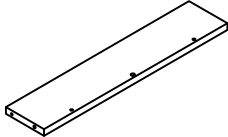
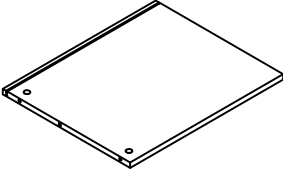
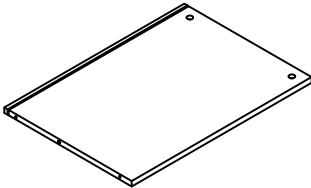
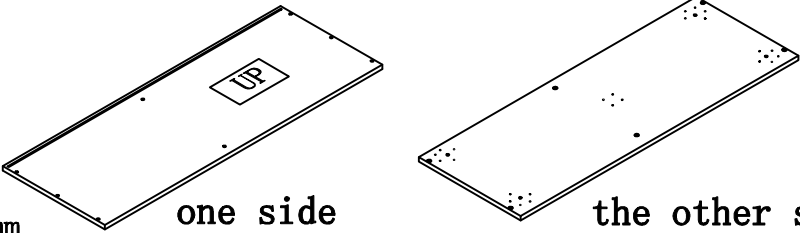
- **ALWAYS** install tipover restraint provided.
- **NEVER** put a TV on this product.
- **NEVER** allow children to stand, climb or hang on drawers, doors, or shelves.
- **NEVER** open more than one drawer at a time.
- Place heaviest items in the lowest drawers.

Parts List (EN) / Teile Liste (DE)

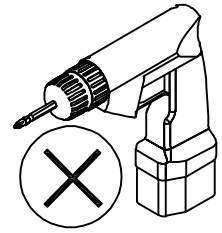
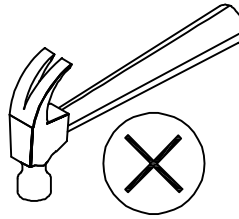
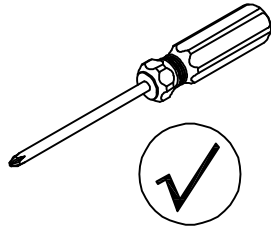
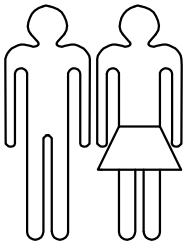


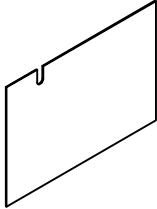
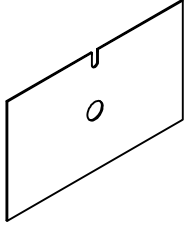
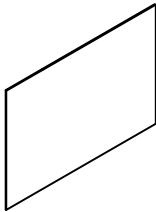
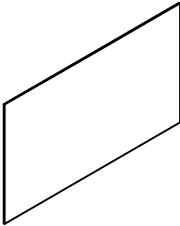

Parts List(EN)/Teile Liste(DE)



<p>①</p>  <p>480*384*15mm</p> <p>1PC</p>	<p>②</p>  <p>580*400*15mm</p> <p>1PC</p>
<p>③</p>  <p>865*400*15mm</p> <p>1PC</p>	<p>④</p>  <p>675*400*15mm</p> <p>1PC</p>
<p>⑤</p>  <p>865*400*15mm one side the other side</p> <p>1PC</p>	
<p>⑥</p>  <p>480*175*15mm</p> <p>1PC</p>	<p>⑦</p>  <p>480*100*15mm</p> <p>1PC</p>
<p>⑧</p>  <p>480*400*15mm</p> <p>1PC</p>	<p>⑨</p>  <p>565*400*15mm</p> <p>1PC</p>
<p>⑩</p>  <p>1090*400*15mm one side the other side</p> <p>1PC</p>	

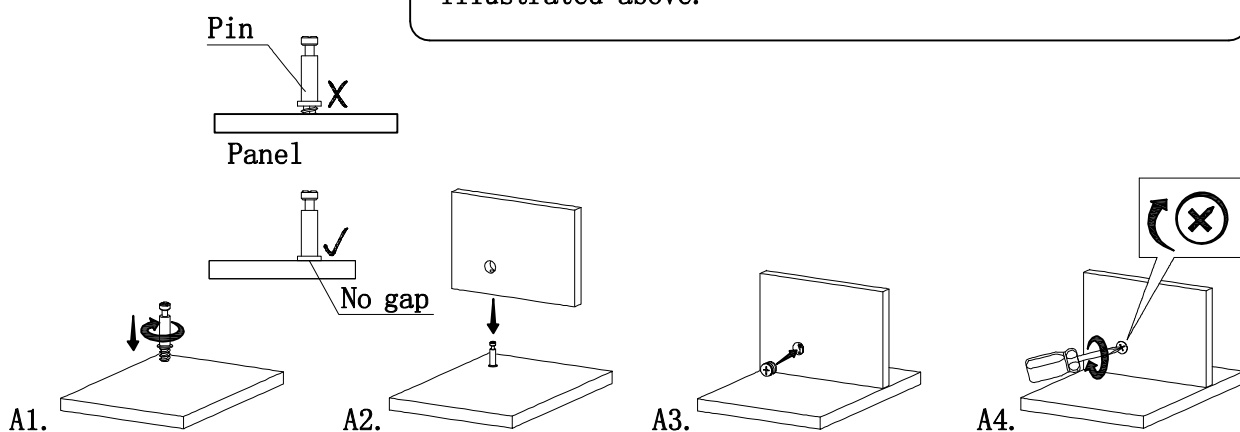
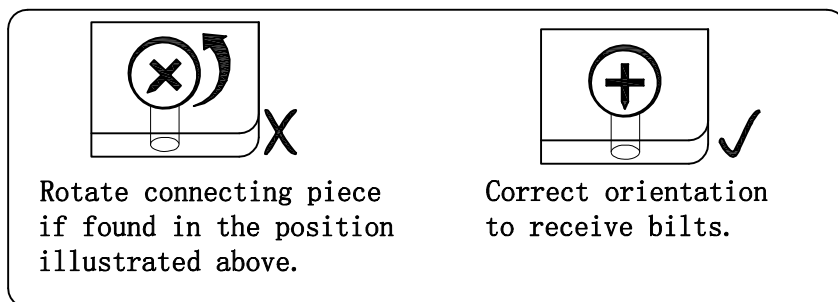
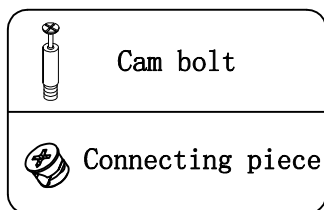
Parts List (EN) / Teile Liste (DE)



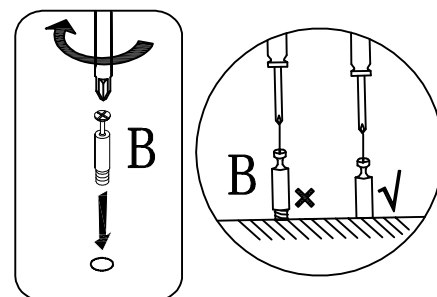
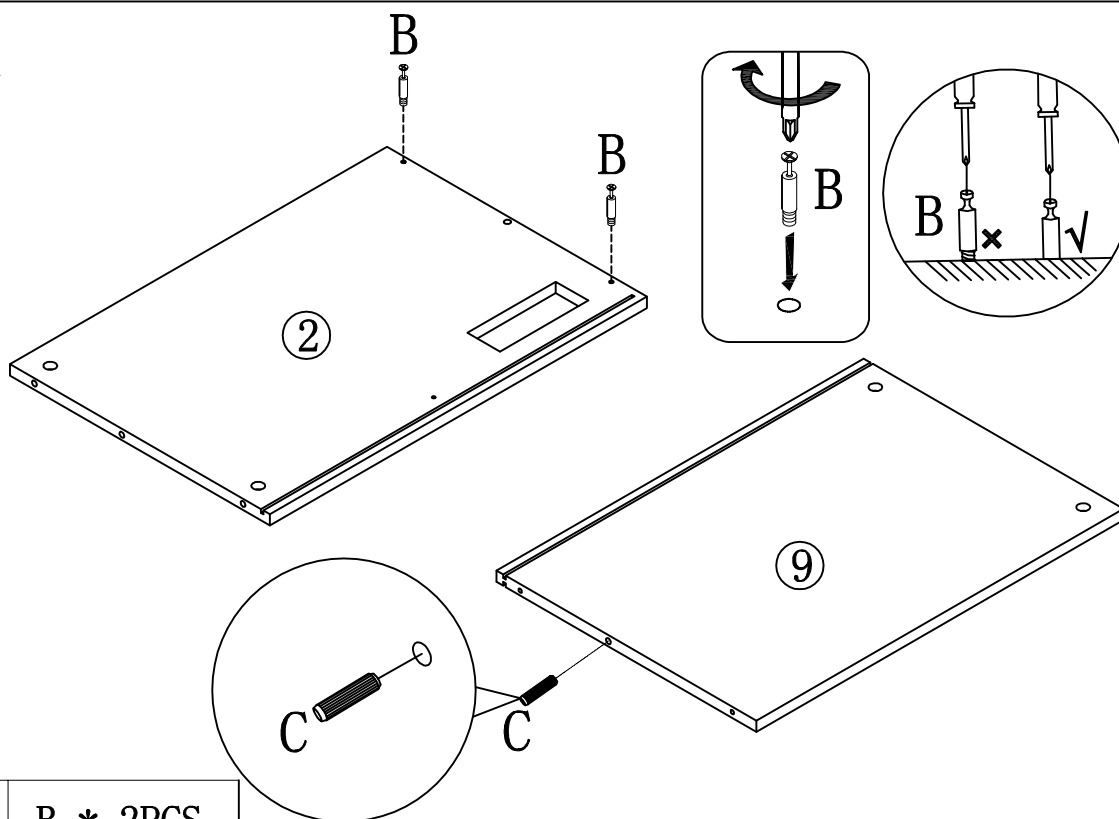
<p>⑪</p>  <p>489*338*3mm</p> <p>1PC</p>	<p>⑫</p>  <p>574*338*3mm</p> <p>1PC</p>
<p>⑬</p>  <p>489*338*3mm</p> <p>1PC</p>	<p>⑭</p>  <p>574*338*3mm</p> <p>1PC</p>
<p>⑮</p>  <p>142*45*45mm</p> <p>5PCS</p>	

Assembly (EN) /Montageschritte (DE)

CAM BOLT INSTALLATION AS BELOW:



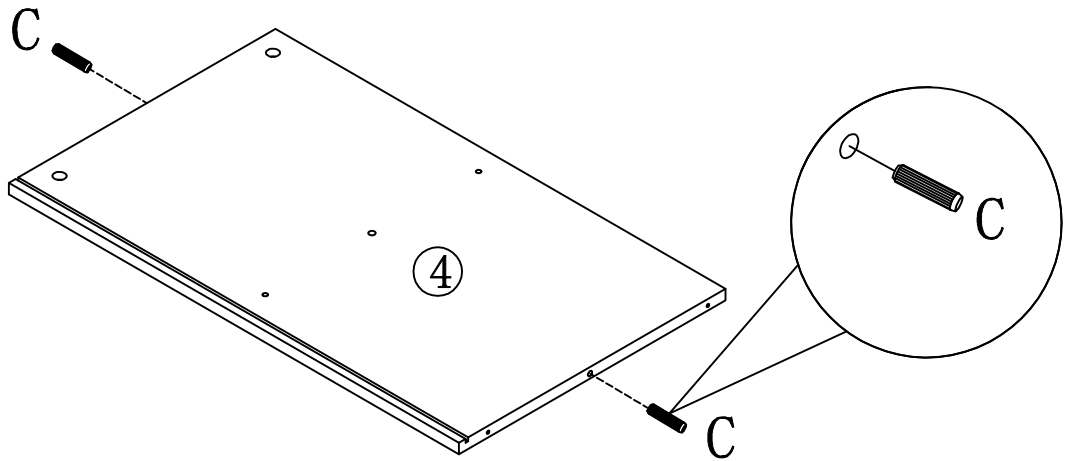
STEP 1



	B * 2PCS
	C * 1PC

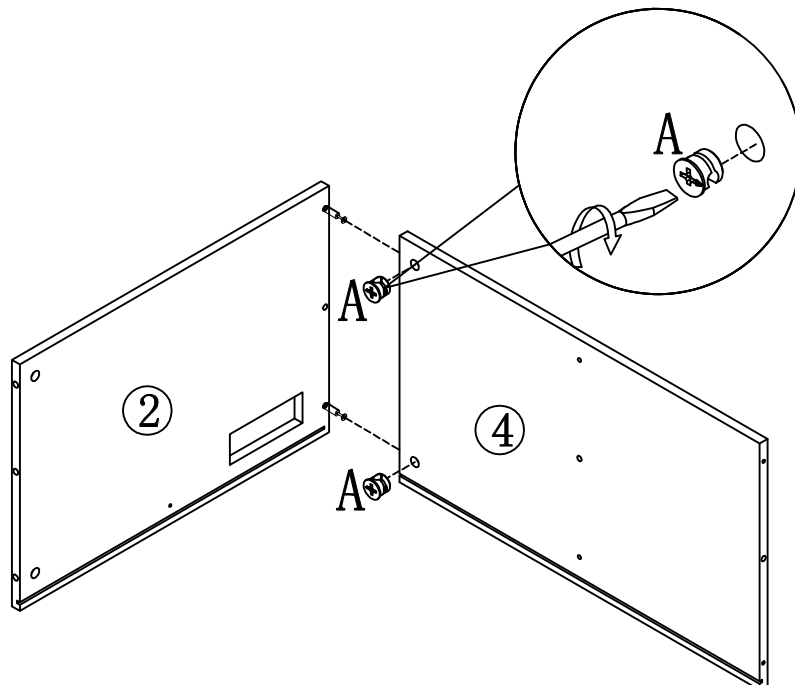
Assembly (EN) /Montageschritte (DE)

STEP 2

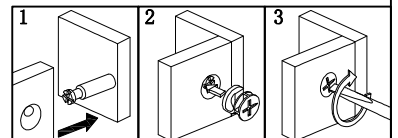


C * 2PCS

STEP 3

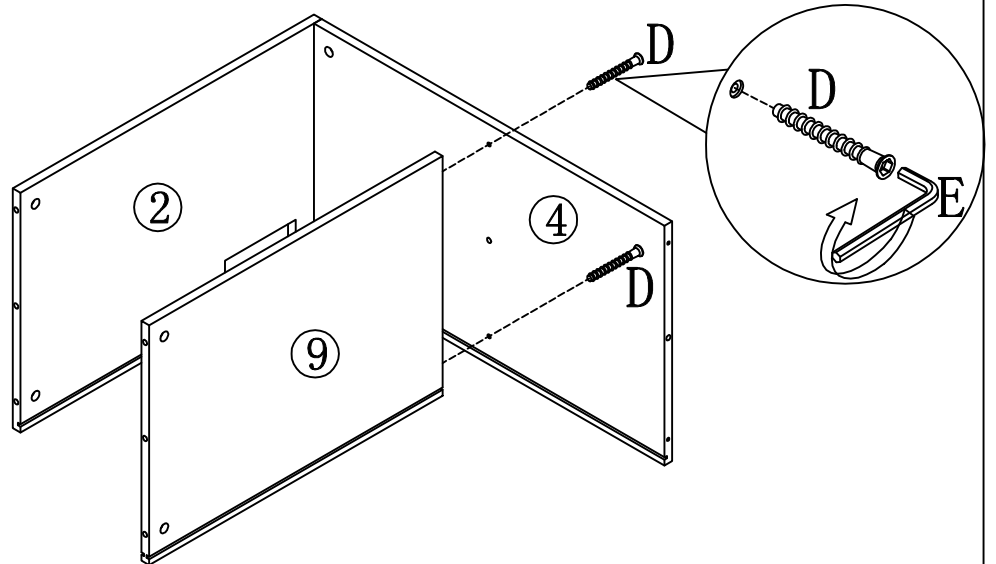




A * 2PCS



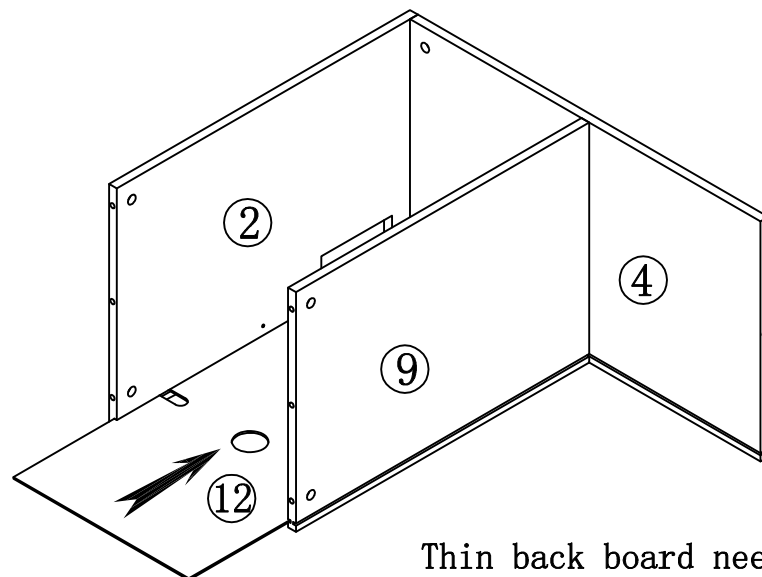
Assembly (EN) /Montageschritte (DE)

STEP 4



	D * 2PCS
	E * 1PC

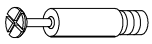
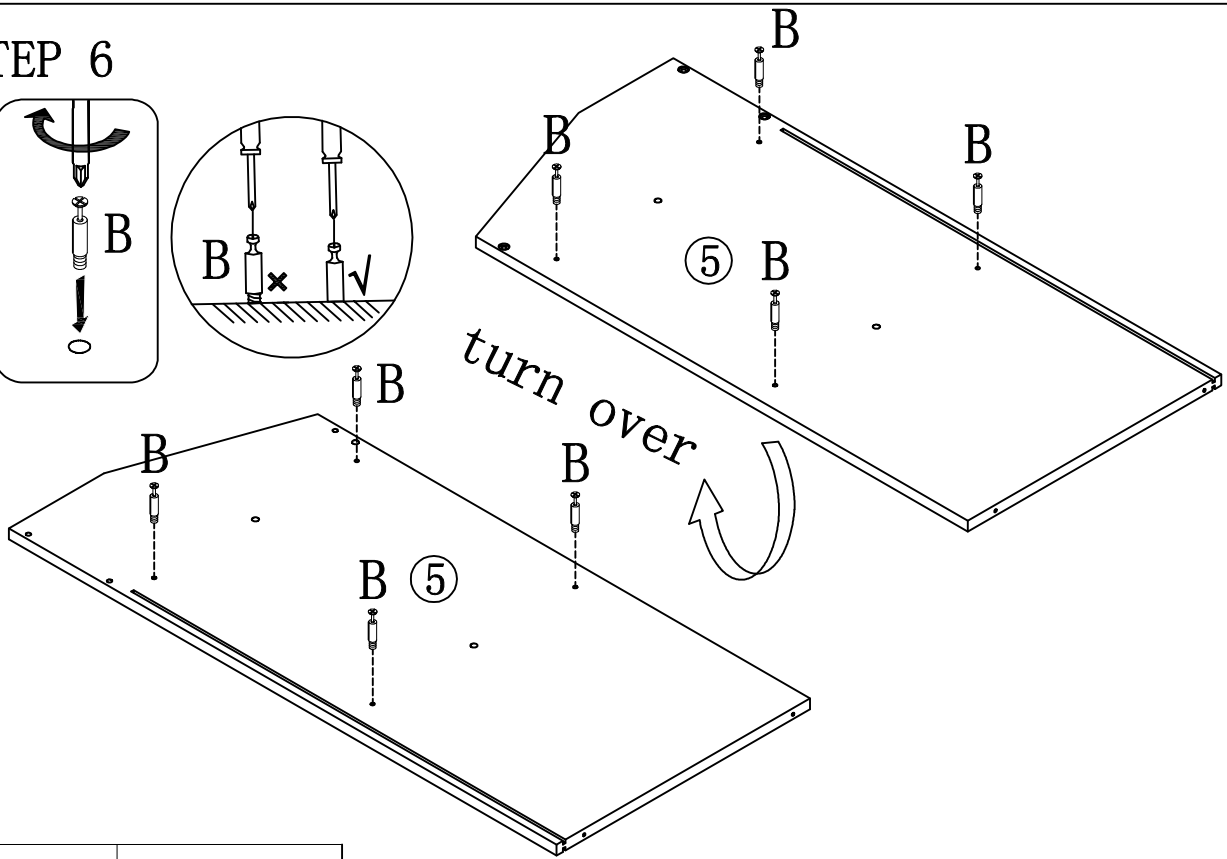
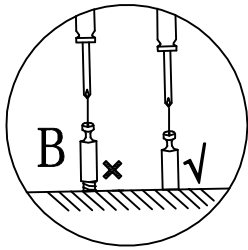
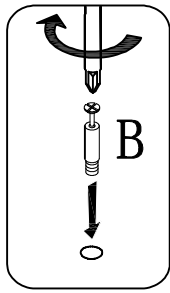
STEP 5



Thin back board needs to be inside the slot, otherwise blocks the opposite plate montage.

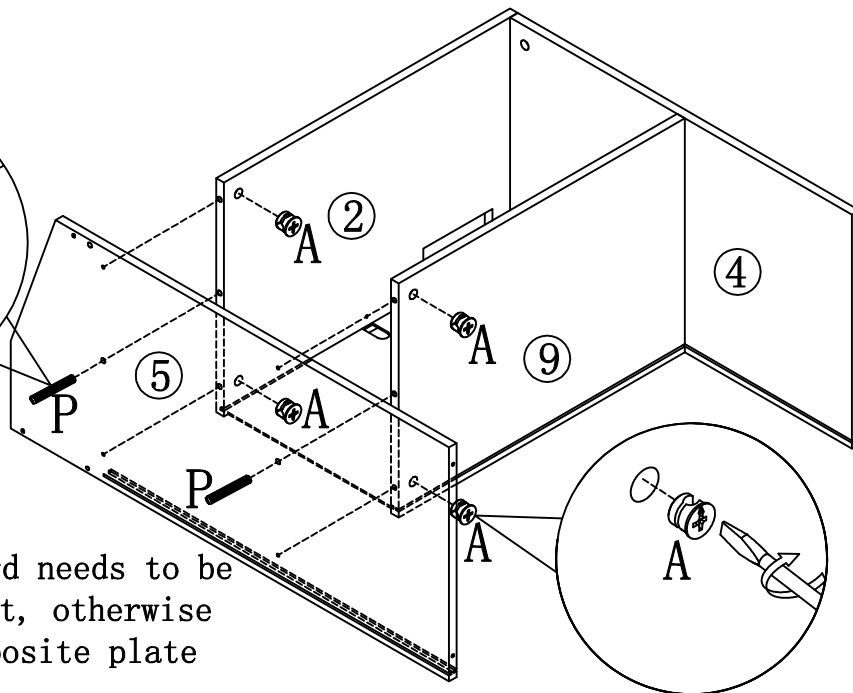
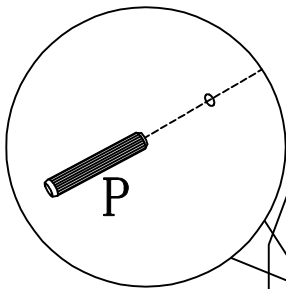
Assembly (EN) / Montageschritte (DE)

STEP 6



B * 8PCS

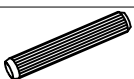
STEP 7



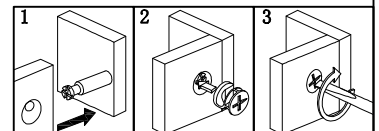
Thin back board needs to be inside the slot, otherwise blocks the opposite plate montage.



A * 4PCS

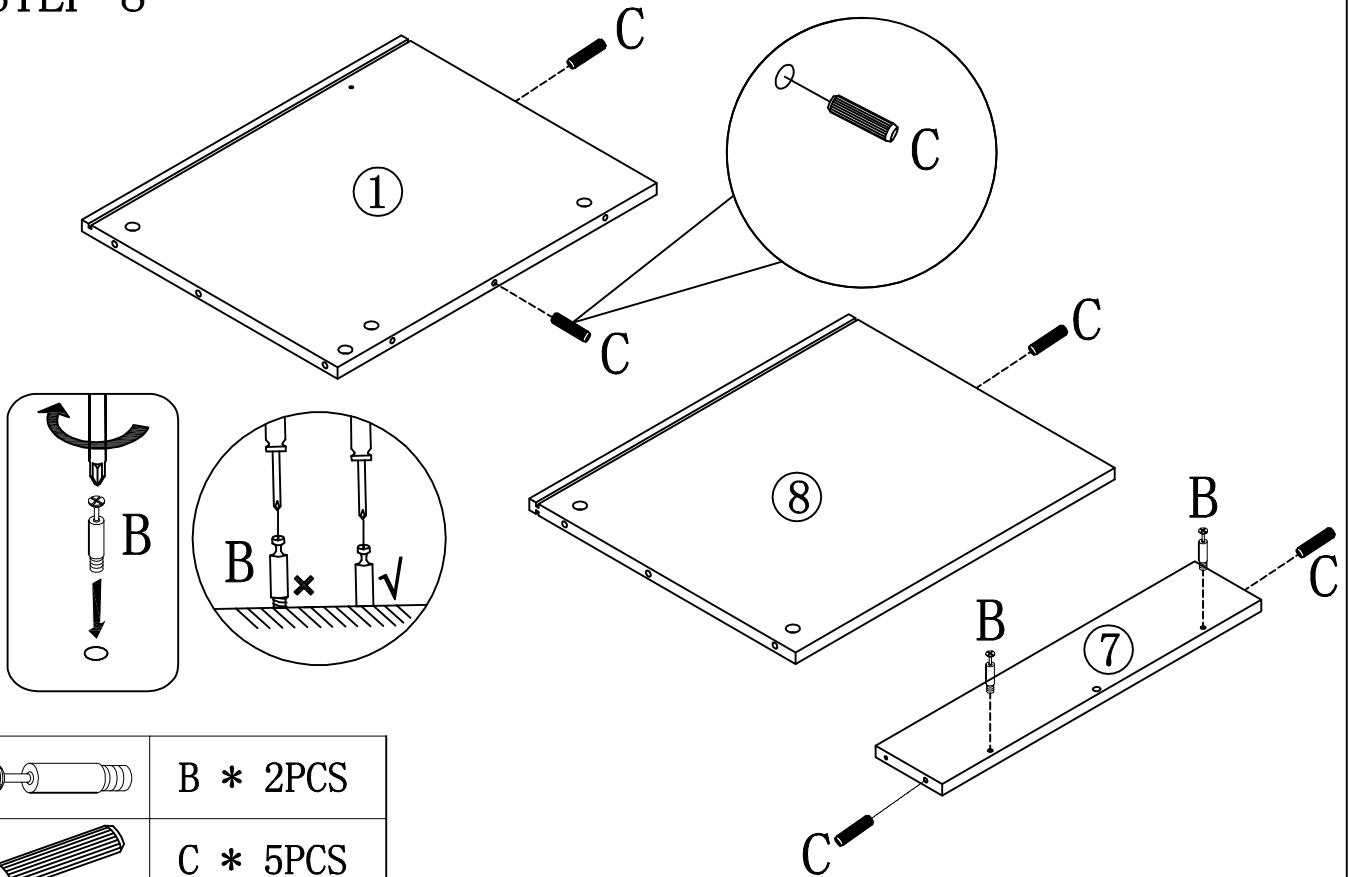


P * 2PCS

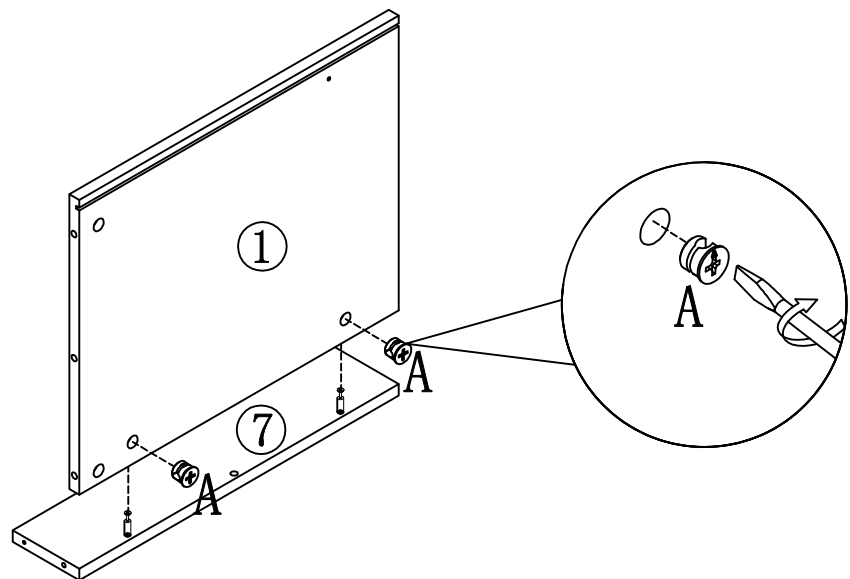


Assembly (EN) /Montageschritte (DE)

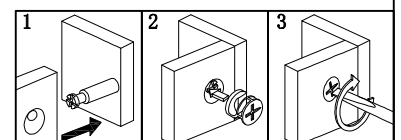
STEP 8



STEP 9

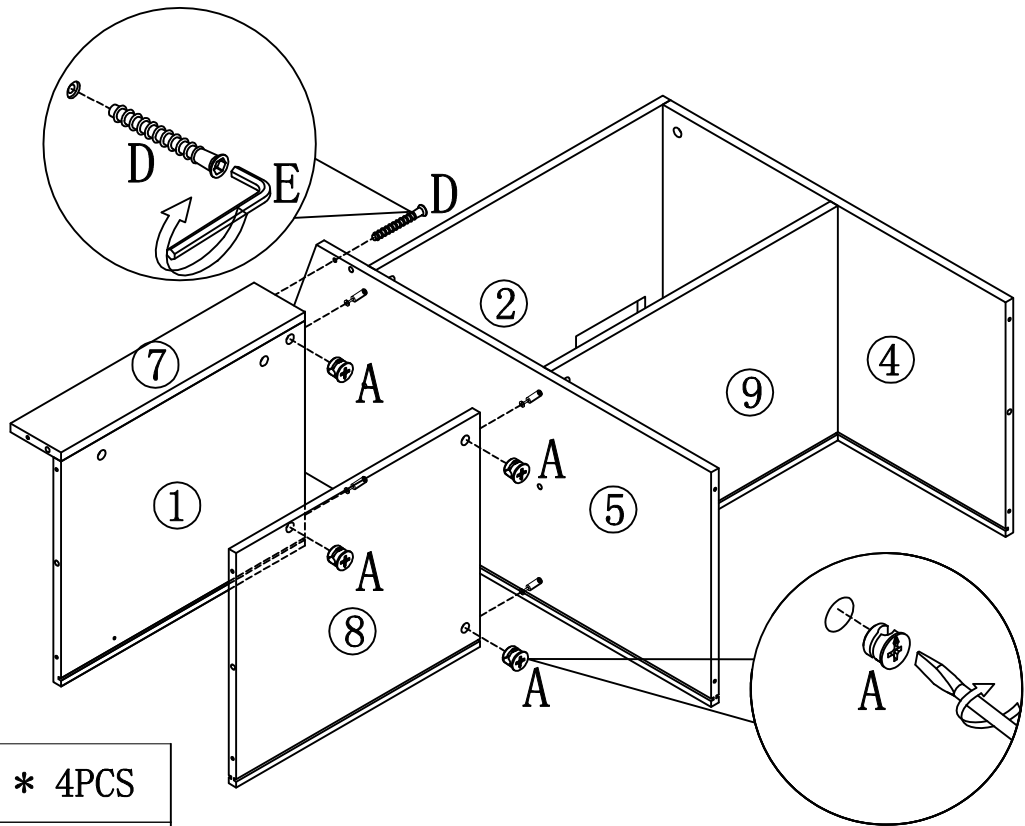



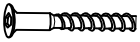

A * 2PCS

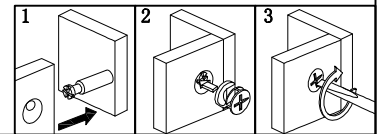


Assembly (EN) /Montageschritte (DE)

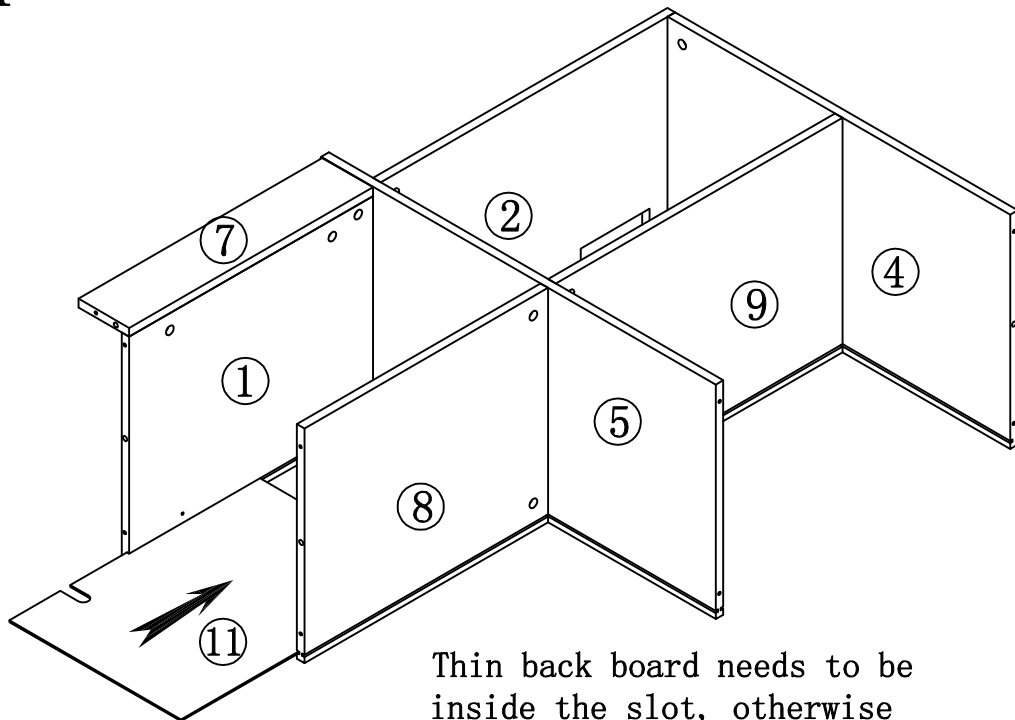
STEP 10



	A * 4PCS
	D * 1PC
	E * 1PC



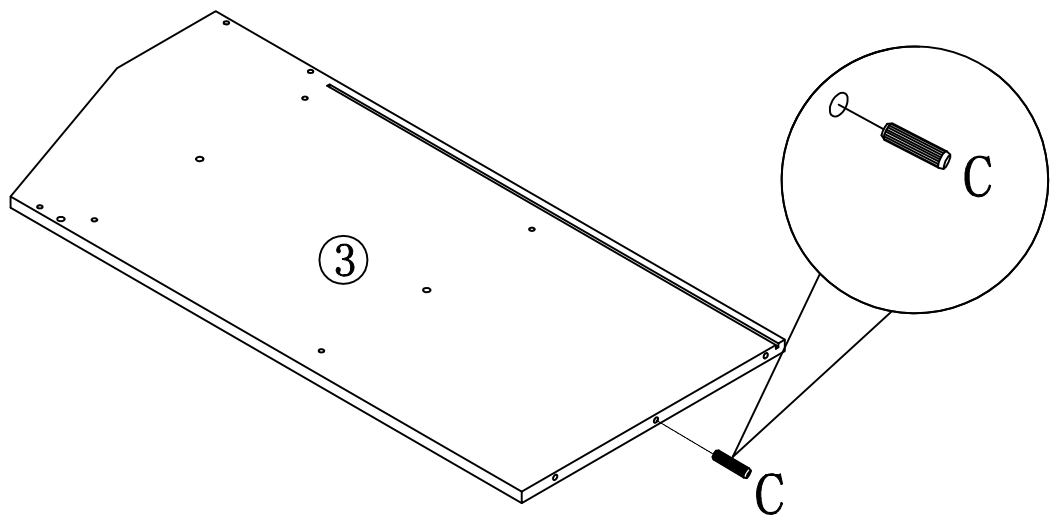
STEP 11



Thin back board needs to be inside the slot, otherwise blocks the opposite plate montage.

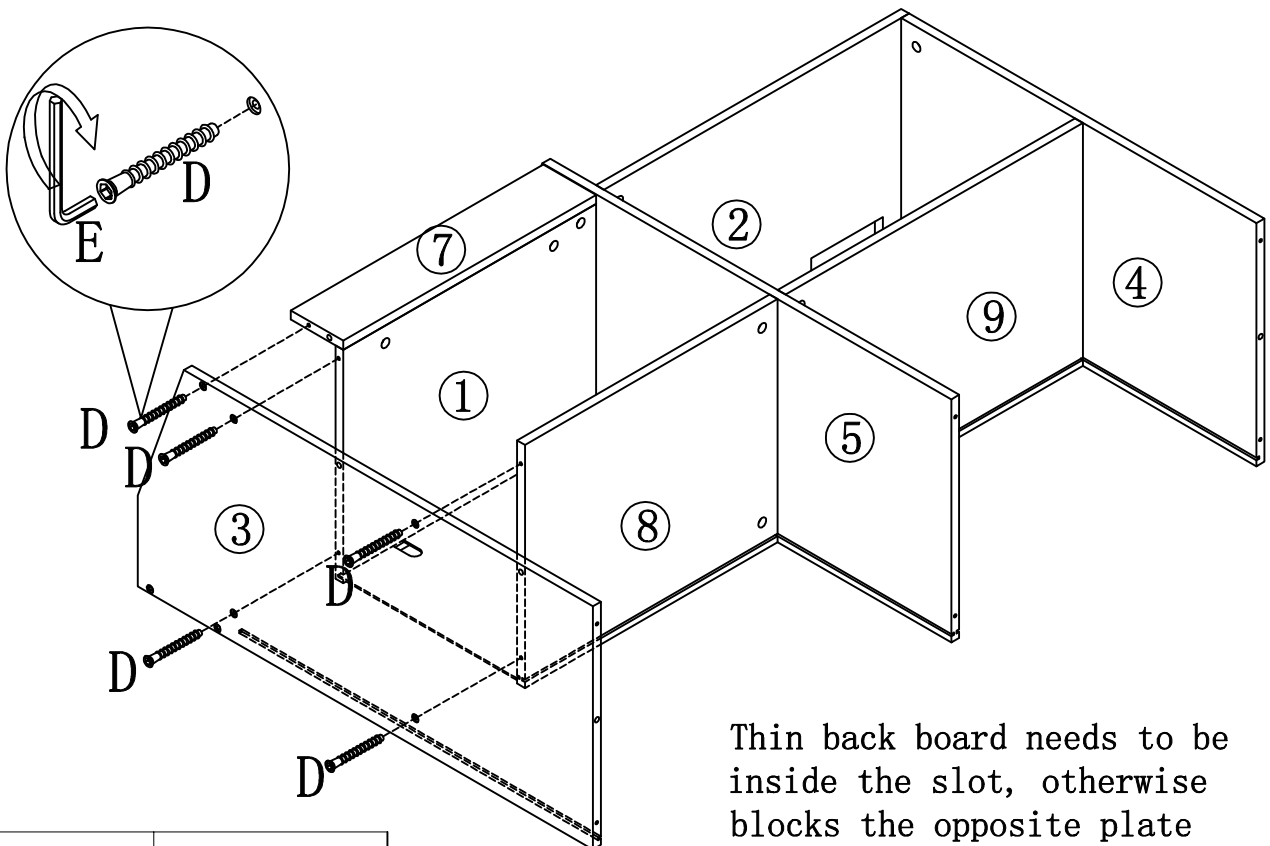
Assembly (EN) /Montageschritte (DE)

STEP 12

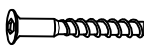


C * 1PC

STEP 13



Thin back board needs to be inside the slot, otherwise blocks the opposite plate montage.



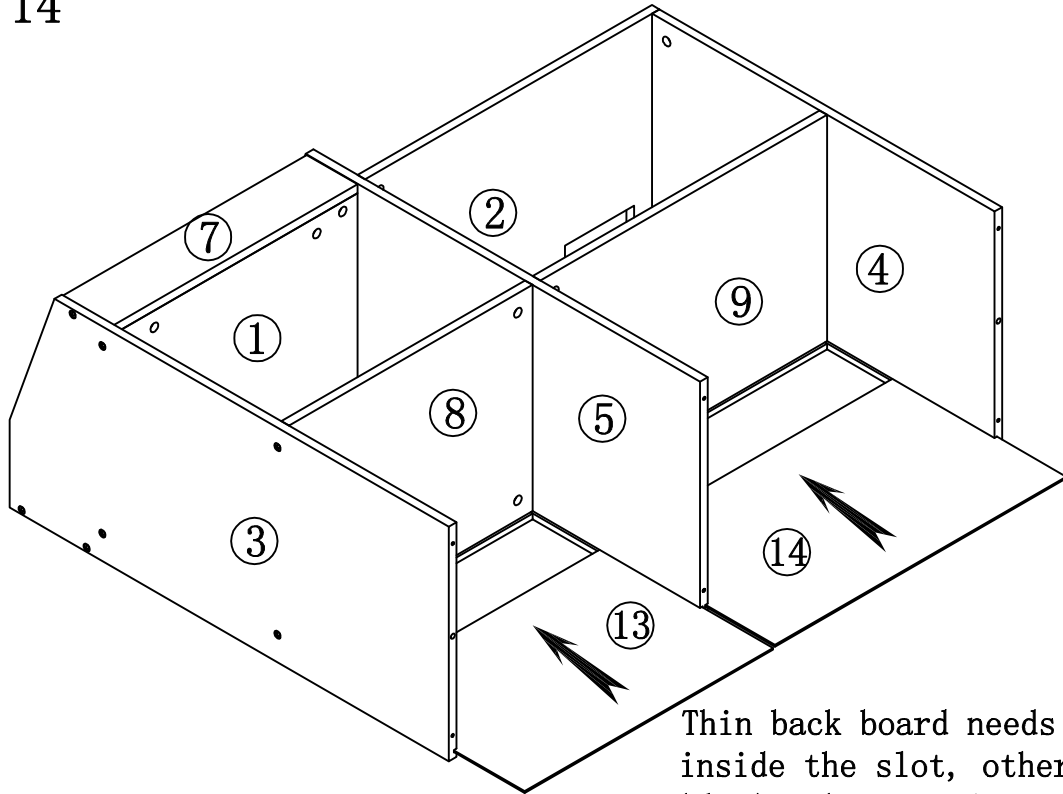
D * 5PCS



E * 1PC

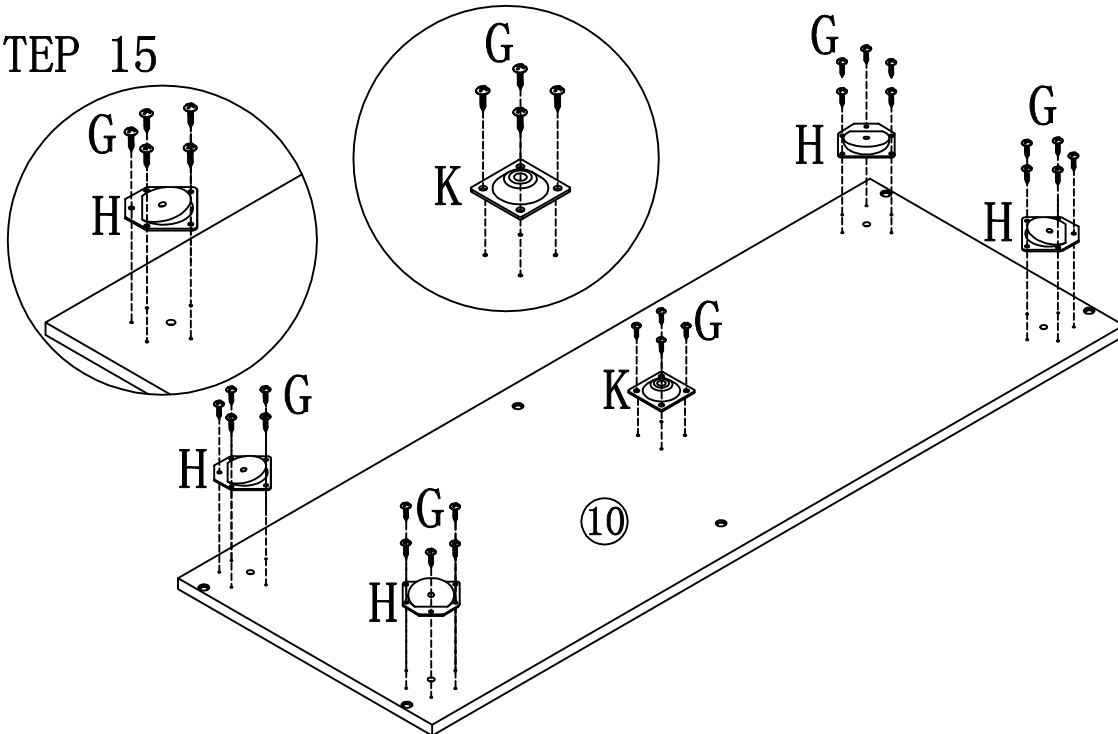
Assembly (EN) /Montageschritte (DE)


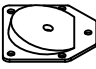

STEP 14



Thin back board needs to be inside the slot, otherwise blocks the opposite plate montage.

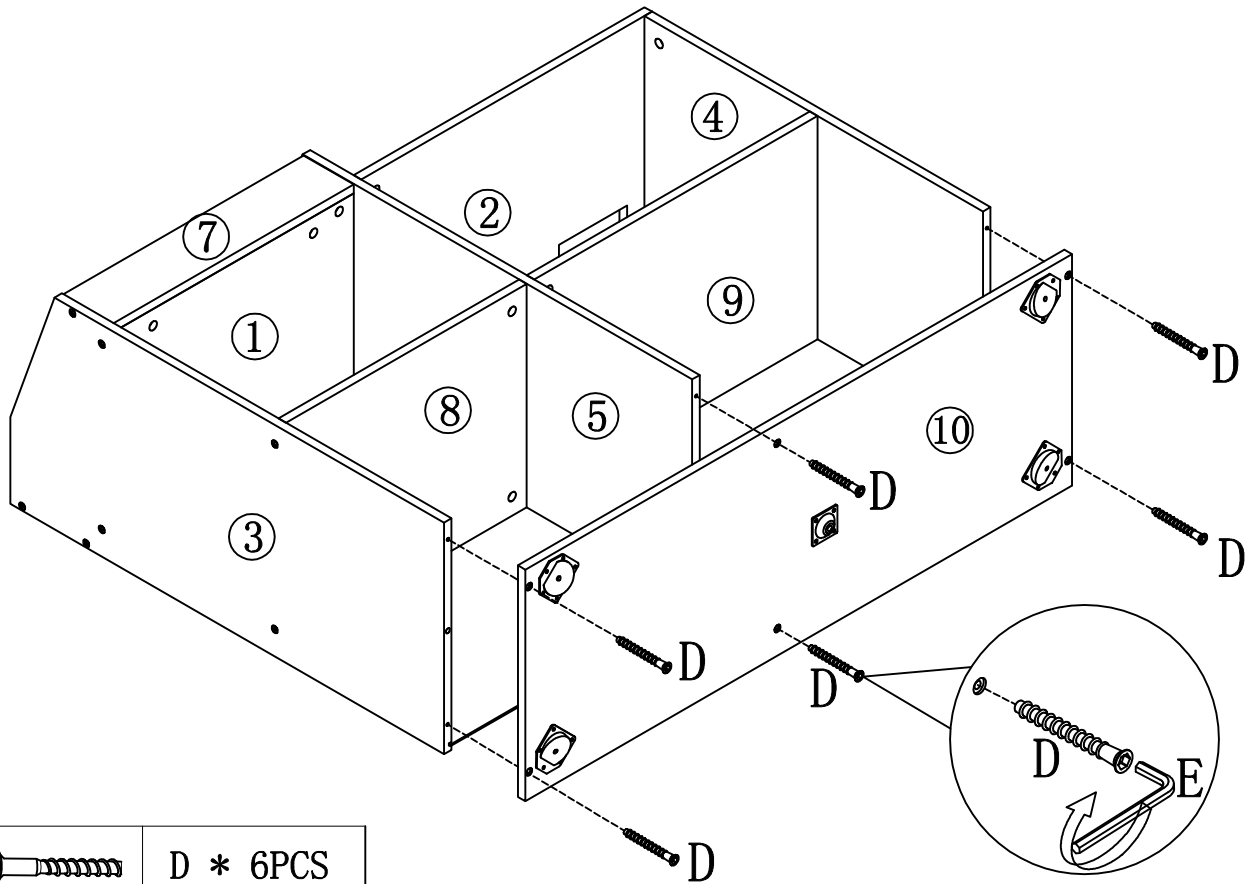
STEP 15


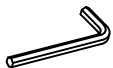


	G * 24PCS
	H * 4PCS
	K * 1PC

Assembly (EN) /Montageschritte (DE)

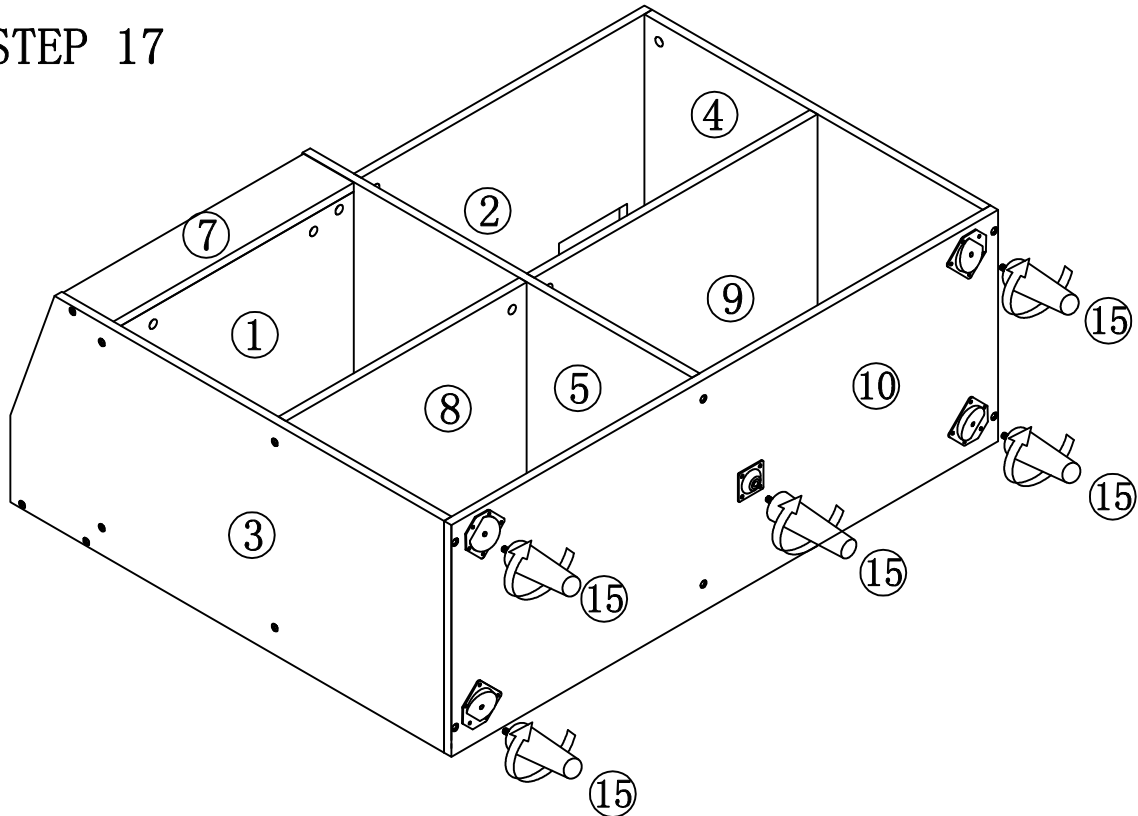
STEP 16



	D * 6PCS
	E * 1PC

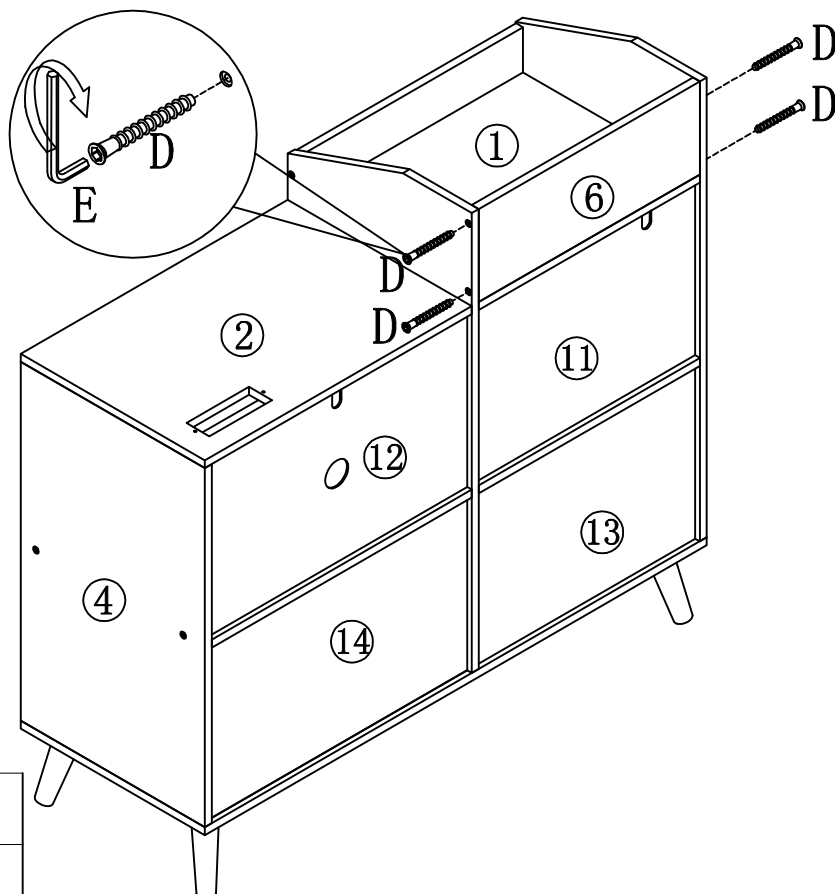
Thin back board needs to be inside the slot, otherwise blocks the opposite plate montage.

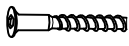

STEP 17



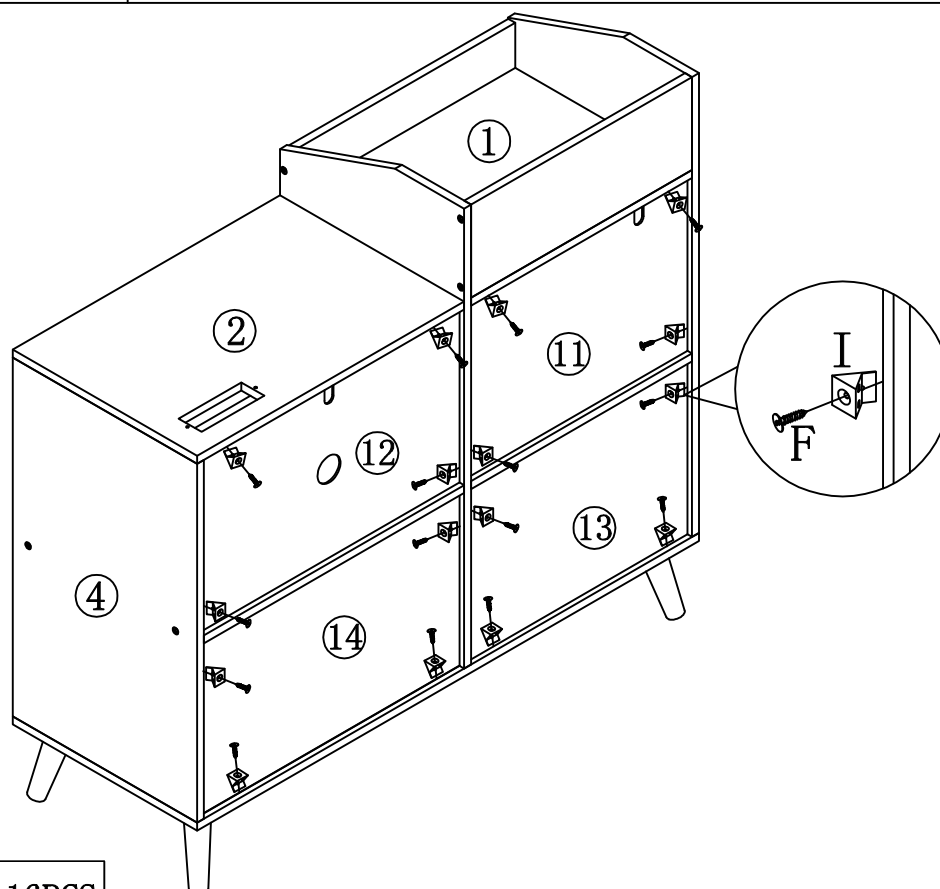
Assembly (EN) /Montageschritte (DE)



STEP 18



	D * 4PCS
	E * 1PC

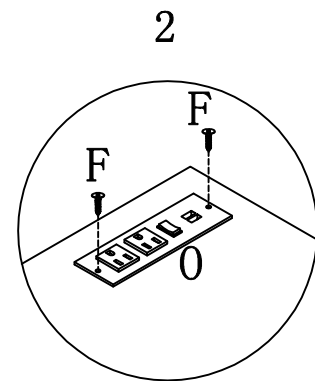
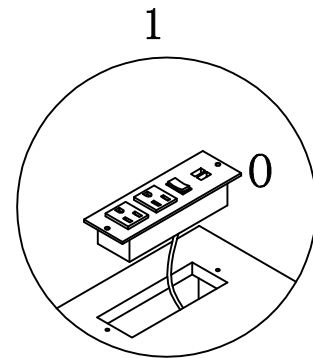
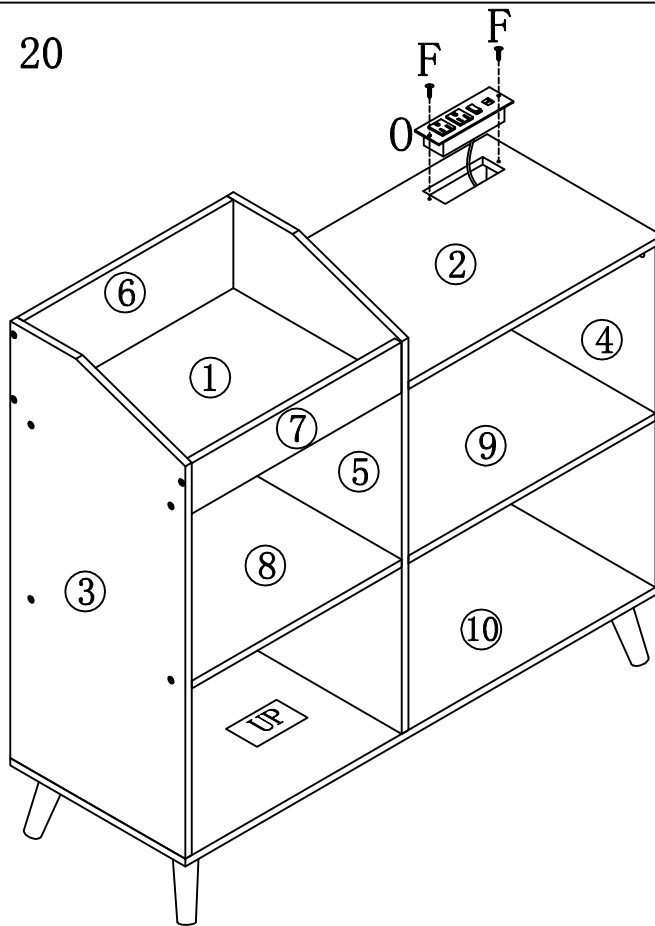
STEP 19





	F * 16PCS
	I * 16PCS

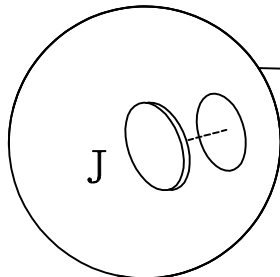
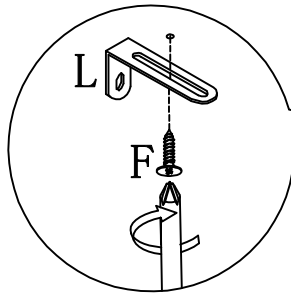
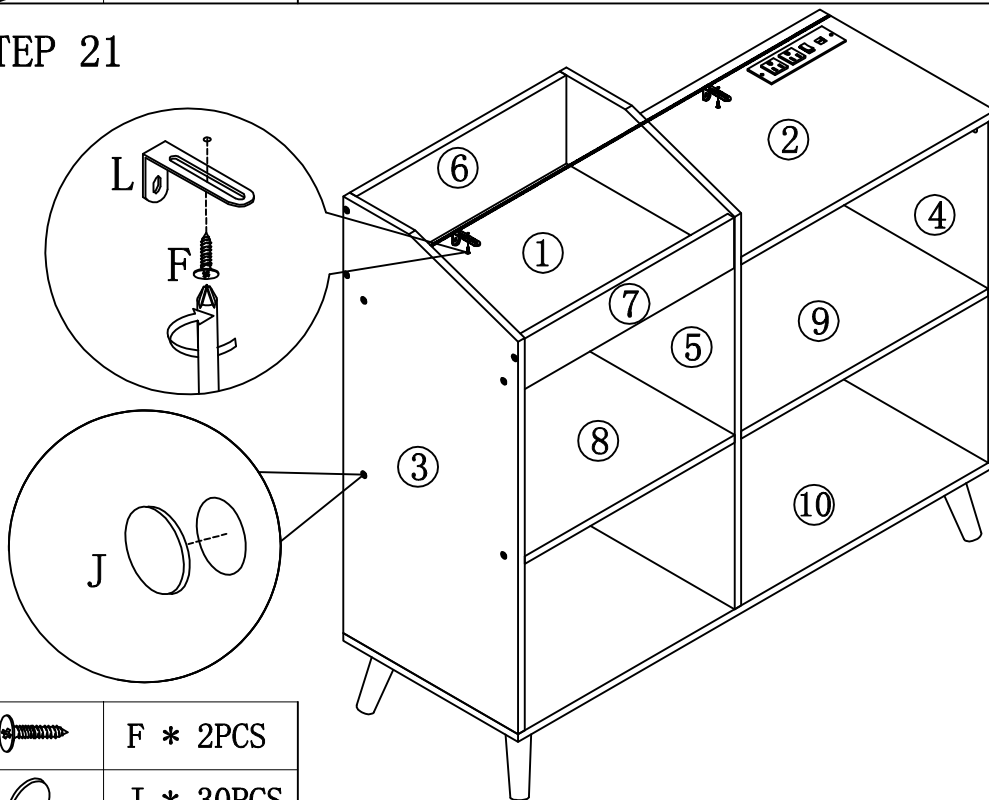
Assembly (EN) /Montageschritte (DE)




STEP 20



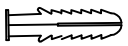
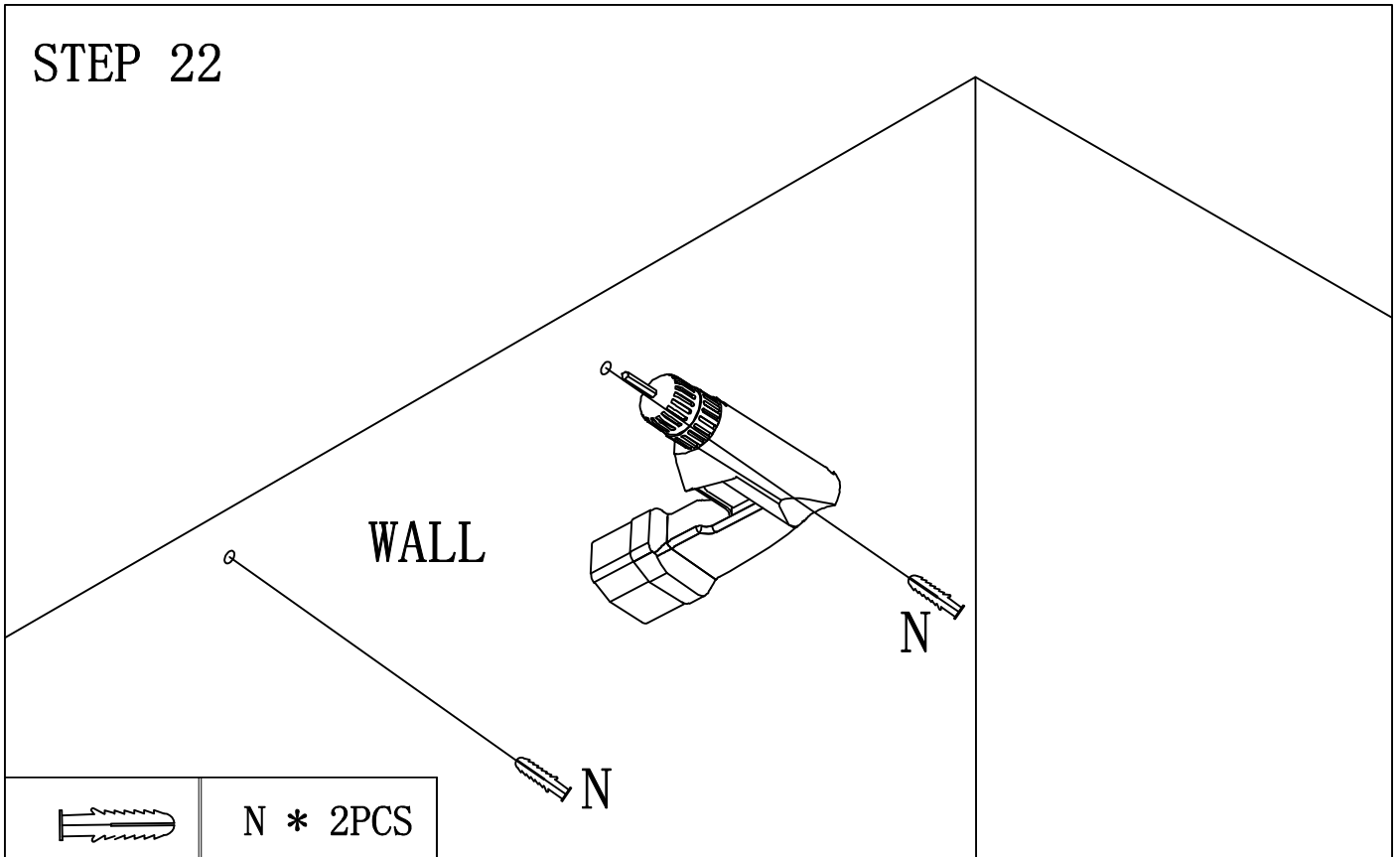
	F * 2PCS
	0 * 1PC

STEP 21



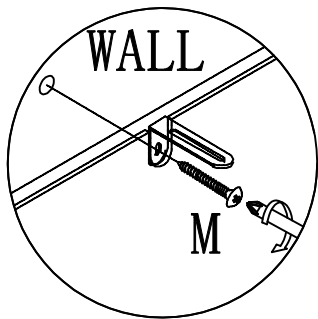
	F * 2PCS
	J * 30PCS
	L * 2PCS

STEP 22

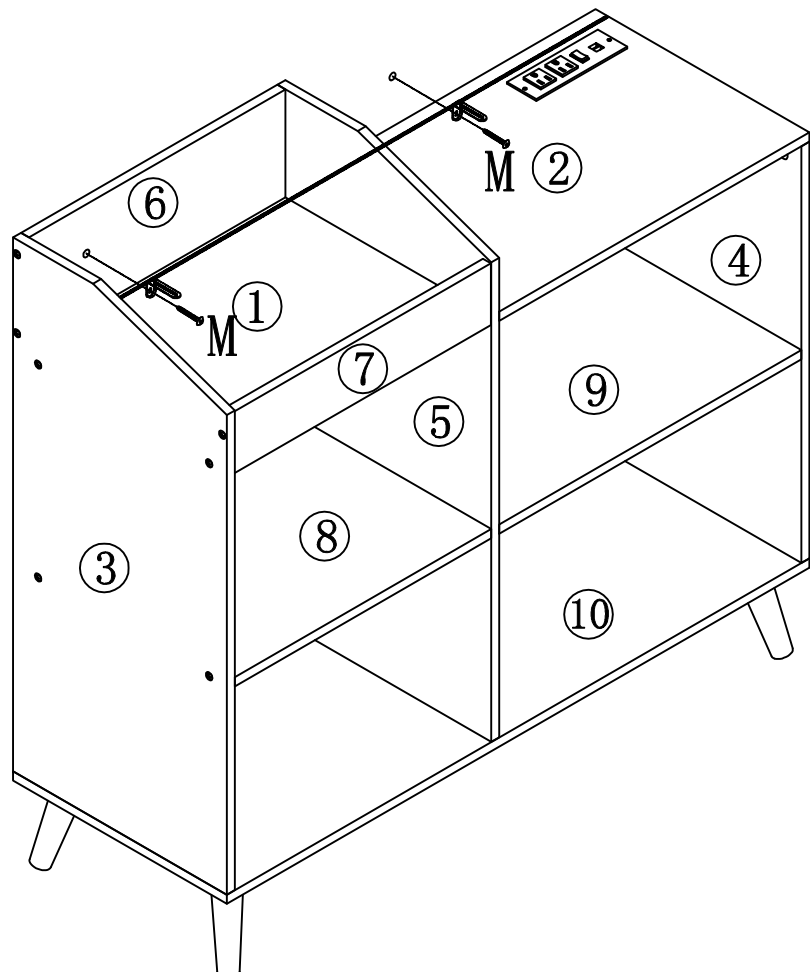


N * 2PCS

STEP 23



Note: Toppling preventer must be installed otherwise there is a risk of tipping.



M * 2PCS

STEP 24

