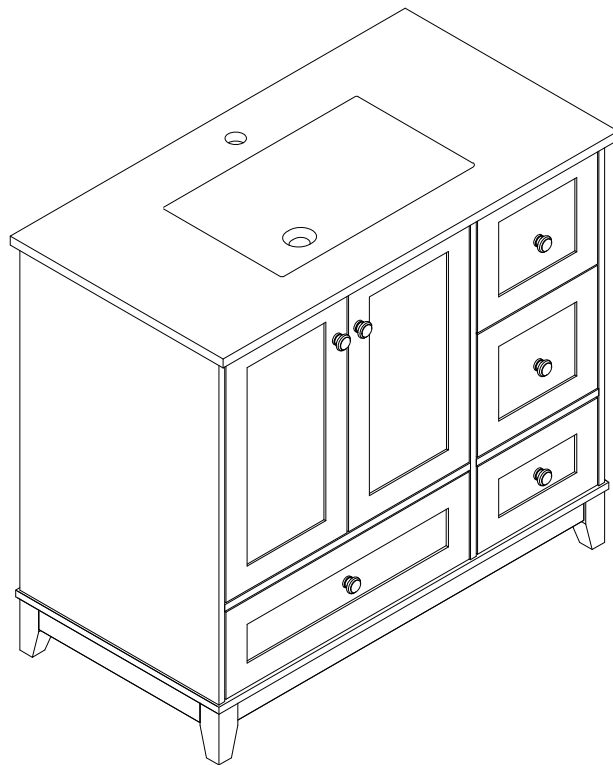


Dijon 37" Ferrand 37" Single Vanity With 4 Drawers & 2 Doors

Gray

ASSEMBLY

INSTRUCTIONS



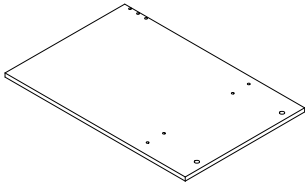
Thank you for purchasing this quality product. Be sure to check all packing material carefully for small parts, which may have come loose inside the carton during shipment. Count all parts and material hardware, then compare with parts list to be sure all parts are present. If any parts are missing or damaged, phone, fax, or mail to our Customer Service Department for efficient and speedy service. Please indicate the model number and code letter of part(s) needed.

NOTE: In order to prevent damage during assembly, please assemble this item with at least two people.

IMPORTANT NOTE: Follow instructions listed below in proper sequence as numbered to assure fast, easy and correct assembly.

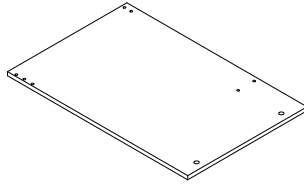
# PARTS LIST

1



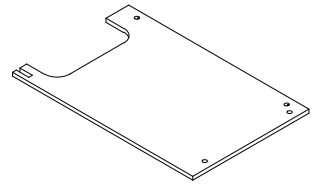
LEFT PANEL-1PC

2



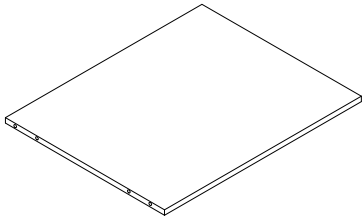
RIGHT PANEL-1PC

3



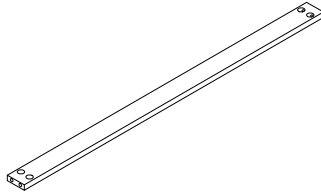
STAND PANEL-1PC

4



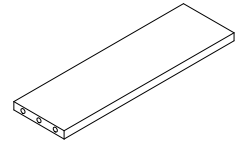
SHELF PANEL-1PC

5



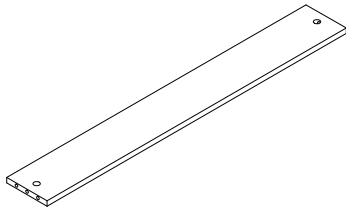
TOP FRONT PANEL -1PC

6



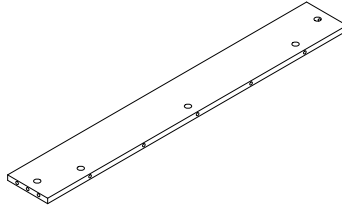
MIDDLE FRONT PANEL -1PC

7



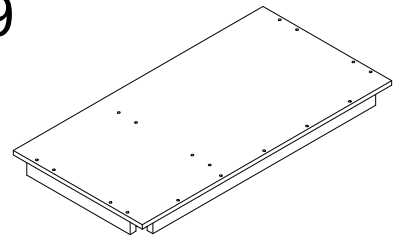
TOP BACK PANEL-1PC

8



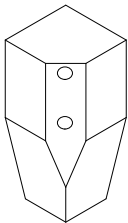
BELOW BACK PANEL-1PC

9



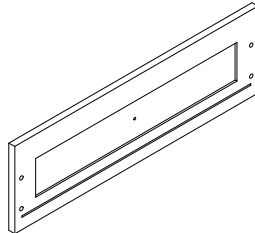
BOTTOM FRAME-1PC

10



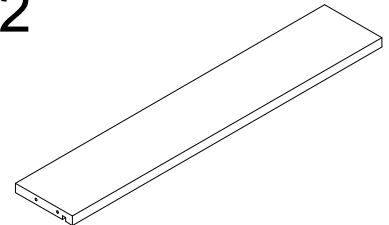
LEGS-4PCS

11



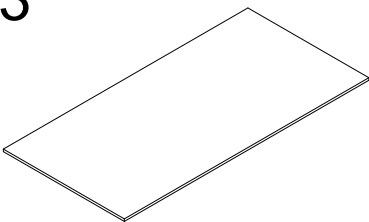
BIG DRAWER FRONT-1PC

12



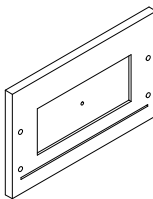
BIG DRAWER BACK-1PC

13



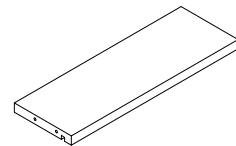
BIG DRAWER BOTTOM-1PC

14



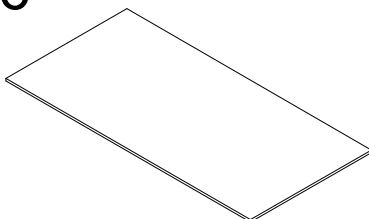
SMALL DRAWER FRONT-1PC

15



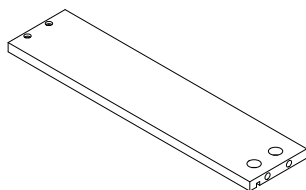
SMALL DRAWER BACK-1PC

16



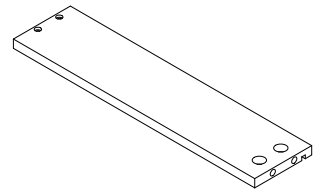
SMALL DRAWER BOTTOM-2PCS

17



DRAWER SIDE LEFT-2PCS

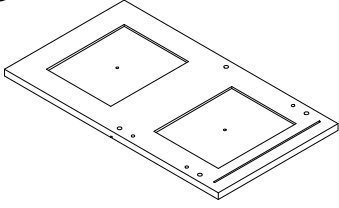
18



DRAWER SIDE RIGHT-2PCS

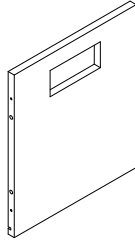
# PARTS LIST

19



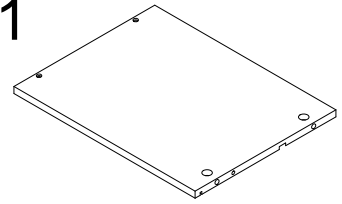
HIGHT DRAWER FRONT-1PC

20



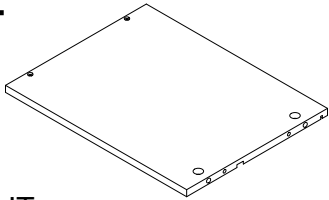
HIGHT DRAWER BACK-1PC

21



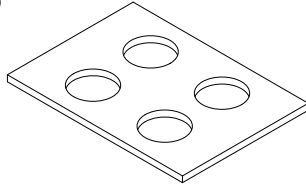
HIGHT DRAWER SIDE LEFT-1PC

22



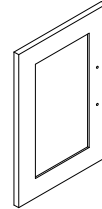
HIGHT DRAWER SIDE RIGHT-1PC

23



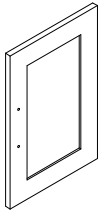
HIGHT DRAWER SHELF-1PC

24



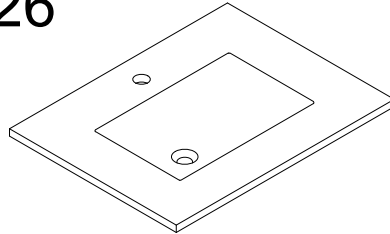
LEFT DOOR-1PC

25




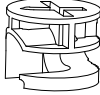
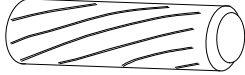
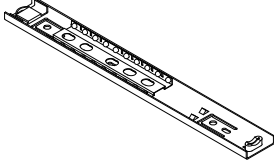
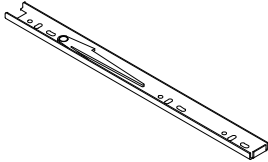
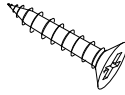
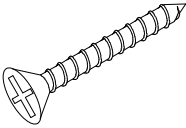


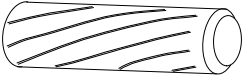
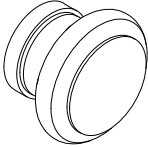
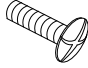
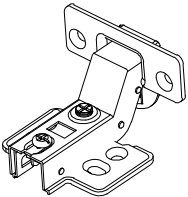
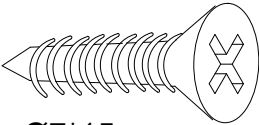
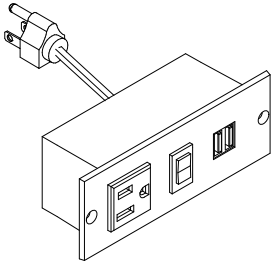
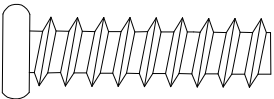
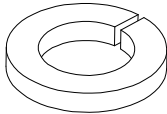
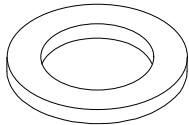
RIGHT DOOR-1PC

26



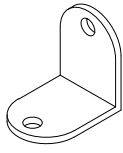
SINK-1PC

# HARDWARE LIST

<p><b>A</b> M6*35mm</p>  <p>CAM-BOLTS - 33PCS</p>	<p><b>B</b> Ø15*12mm</p>  <p>CAM-LOCKS-33PCS</p>	<p><b>C</b> Ø8*30mm</p>  <p>DOWELS-18PCS</p>
<p><b>D</b></p>  <p>FEMALE SLIDING - 6PCS</p>	<p><b>E</b></p>  <p>MALE SLIDING - 6PCS</p>	<p><b>F</b> Ø6*12mm</p>  <p>SCREW - 40PCS</p>
<p><b>G</b> Ø6*25mm</p>  <p>SCREWS - 12PCS</p>	<p><b>H</b> M6*25mm</p>  <p>CAM-BOLTS - 12PCS</p>	<p><b>I</b> Ø15*9mm</p>  <p>CAM-LOCKS - 12PCS</p>
<p><b>J</b> Ø6*25mm</p>  <p>DOWELS-8PCS</p>	<p><b>K</b></p>  <p>KNOB - 6PCS</p>	<p><b>L</b> Ø8*15mm</p>  <p>BOLT - 6PCS</p>
<p><b>M</b></p>  <p>HINGES-4PCS</p>	<p><b>N</b> Ø7*15mm</p>  <p>SCREW-24PCS</p>	<p><b>O</b></p>  <p>SOCKET-1PC</p>
<p><b>P</b> Ø1/4*50mm</p>  <p>BOLT-8PCS</p>	<p><b>Q</b></p>  <p>SPRING WASHER-8PCS</p>	<p><b>R</b></p>  <p>FLAT WASHER-8PCS</p>

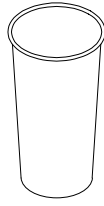
# HARDWARE LIST

S



L SHAPED METAL-1PC

T



CUP-4PCS

U



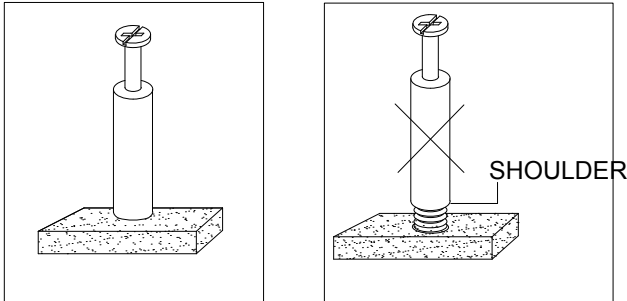
CAM TOOL-1PC

V



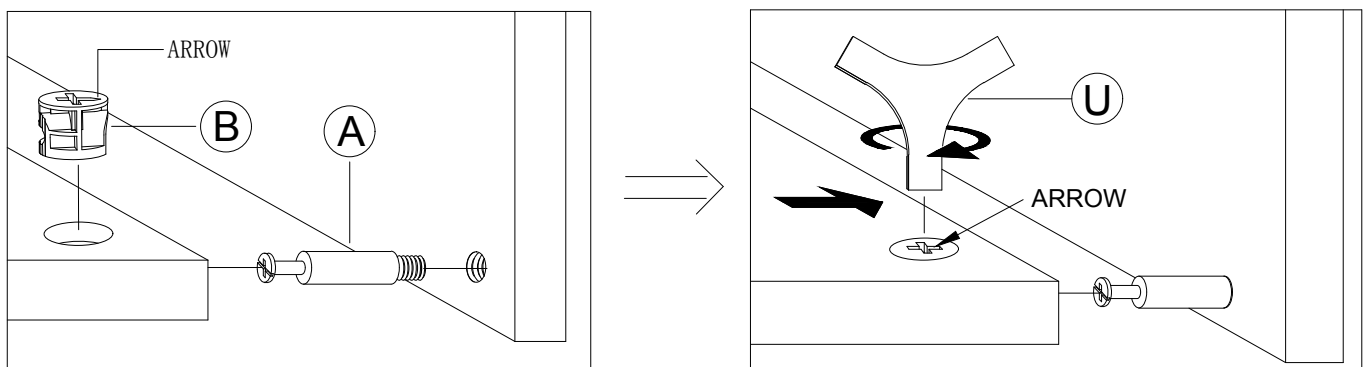
ALLEN WRENCH x 1

NOTE: ● UPON OPENING, THOROUGHLY CLEAN ALL WOOD SURFACES TO REMOVE DUST AND DIRT THAT MAY HAVE SETTLED ONTO FINISH DURING SHIPMENT. IN ORDER TO PREVENT DAMAGE DURING ASSEMBLY, PLEASE ASSEMBLE THIS ITEM WITH AT LEAST TWO PEOPLE.

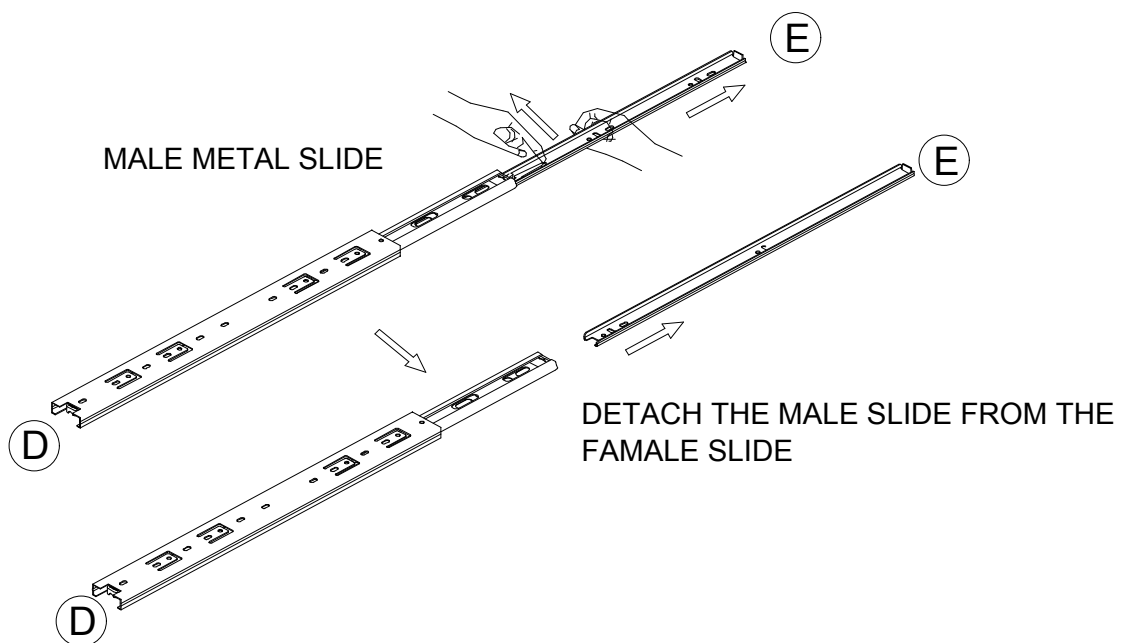


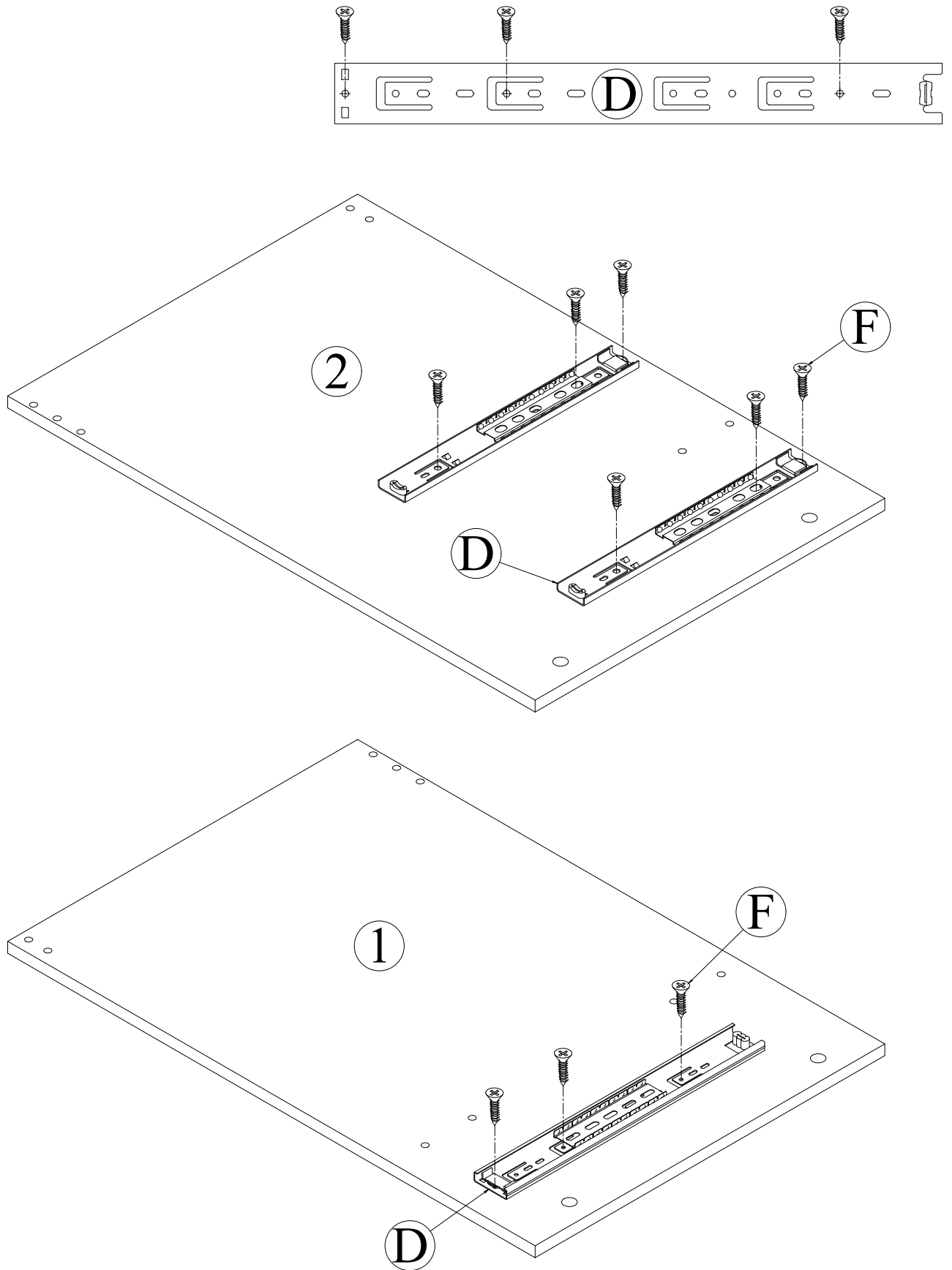
NOTE: TURN THE CAM-BOLT SCREWS UNTIL THEY ARE TIGHT, THE SHOULDER SHOULD BE AGAINST THE SURFACE OF THE PART.

## HOW TO USE THE CAM-TOOL



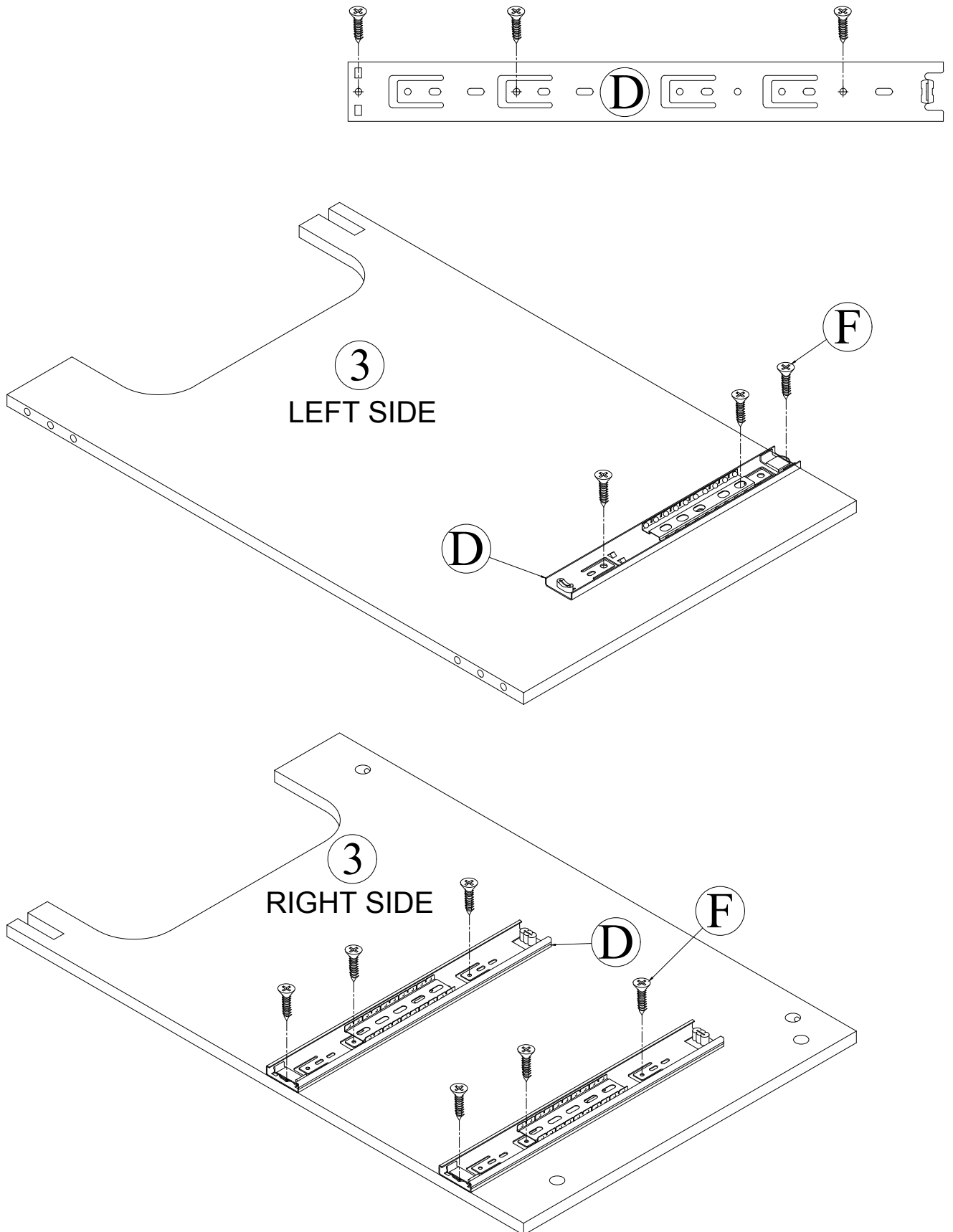
NOTE: ● THE ARROWS ON THE HIDDEN CAM-LOCKS SHOULD POINT TO THE CAM-BOLTS





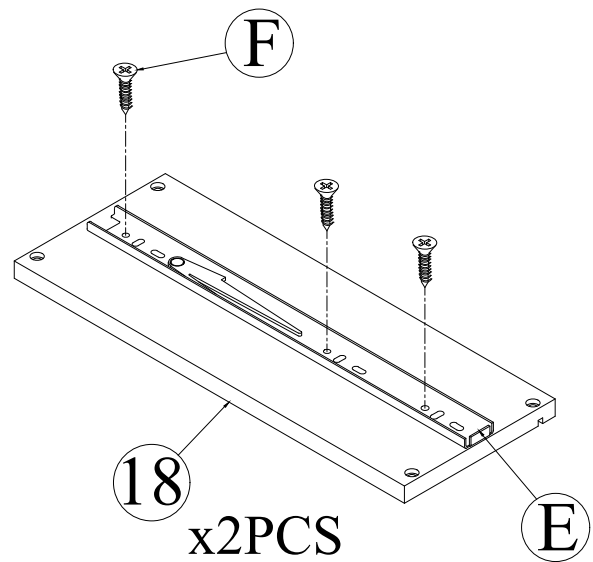
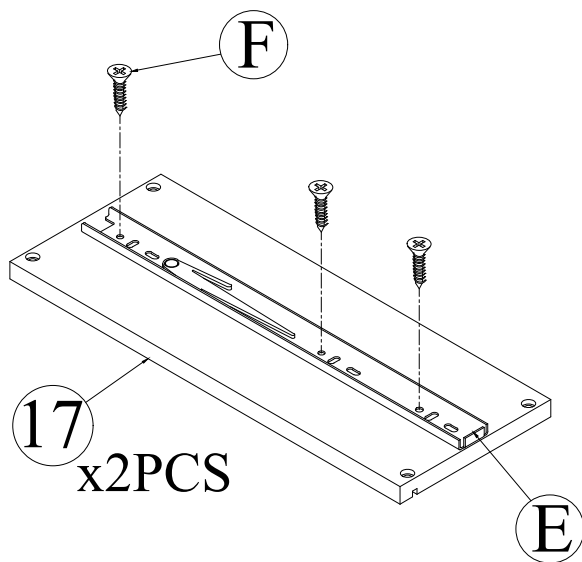
1).ASSEMBLE THE FEMALE SLIDING (D)

- PLACE THE FEMALE SLIDING (D) INTO THE HOLES IN THE PANEL (1/2) AND ATTACH USING 9 SCREW (F).



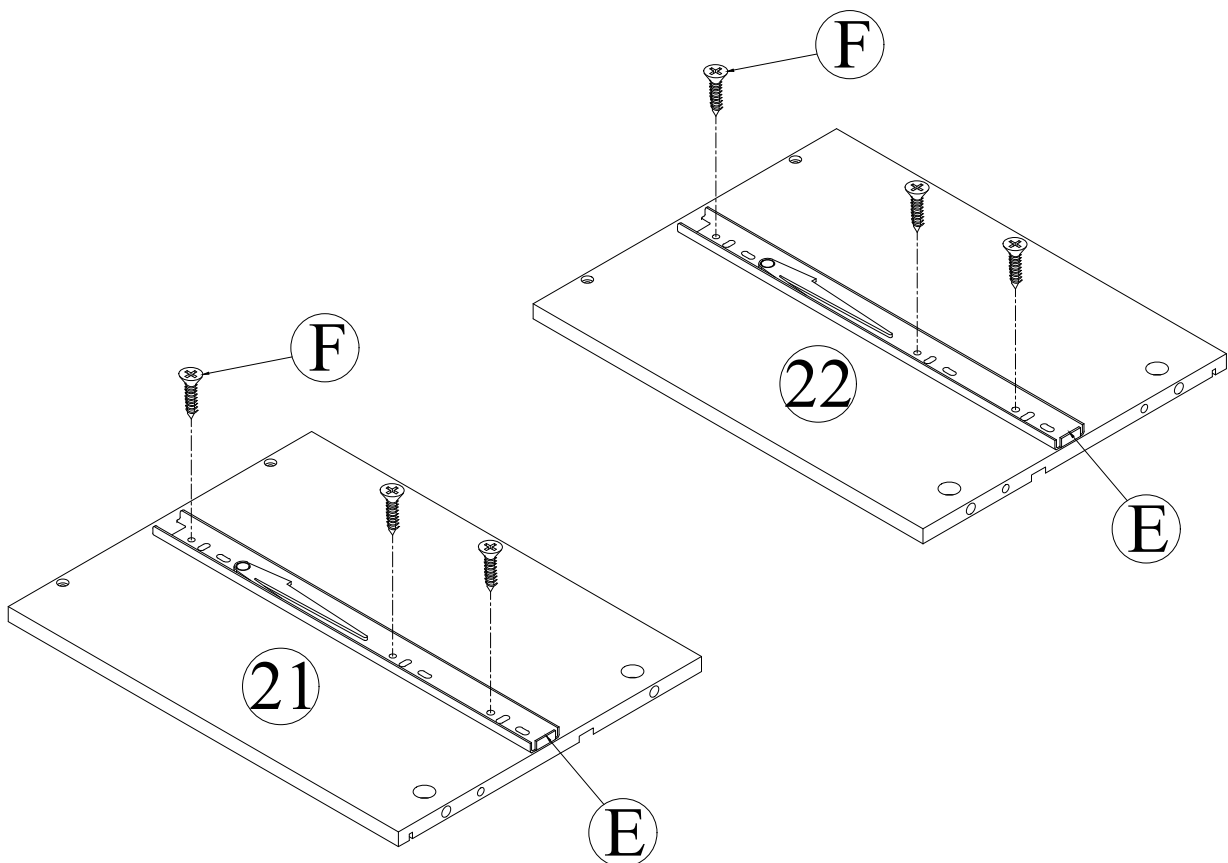
1.1).ASSEMBLE THE FEMALE SLIDING (D)

- PLACE THE FEMALE SLIDING (D) INTO THE HOLES IN THE PANEL (3) AND ATTACH USING 12 SCREW (F).



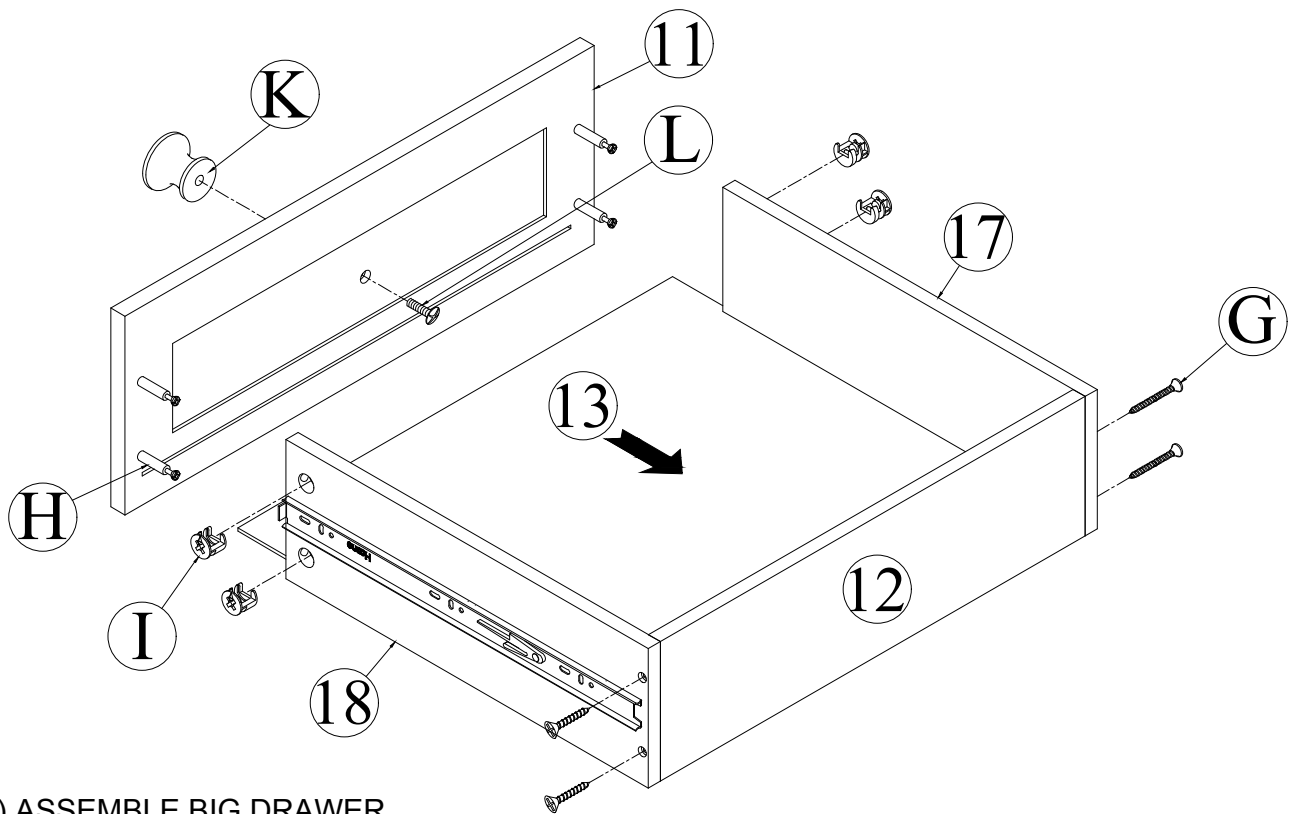
2).ASSEMBLE THE MALE SLIDING (E)

- PLACE THE MALE SLIDING (E) INTO THE HOLES IN THE PANEL (17/18) AND ATTACH USING 12 SCREW (F).



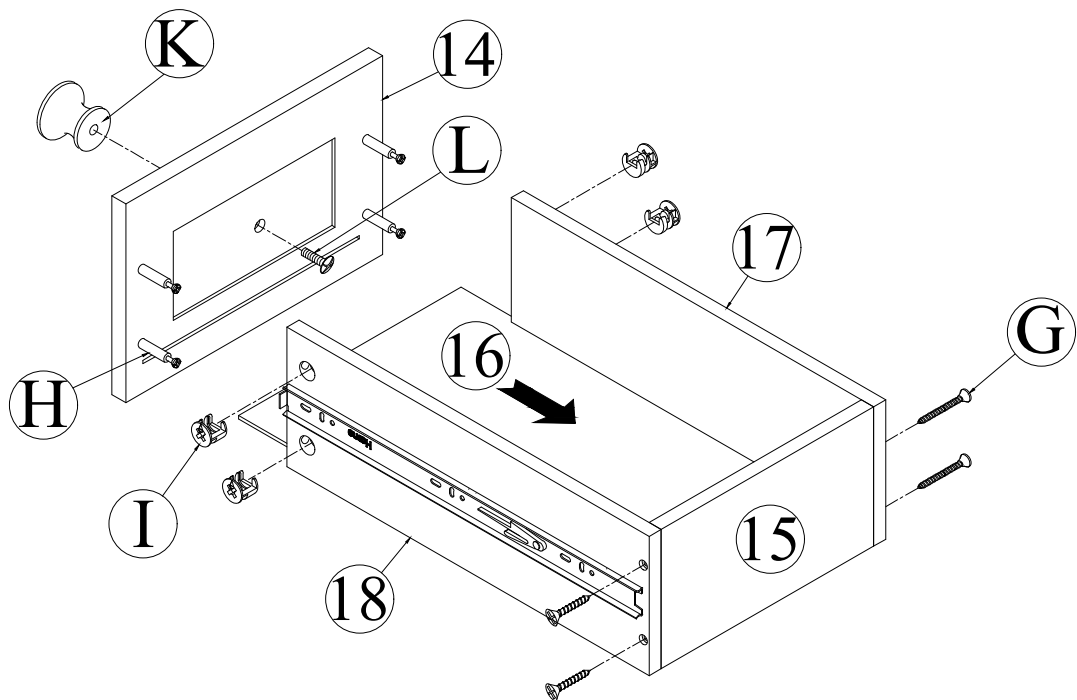
2.1).ASSEMBLE THE MALE SLIDING (E)

- PLACE THE MALE SLIDING (E) INTO THE HOLES IN THE PANEL (21/22) AND ATTACH USING 6 SCREW (F).



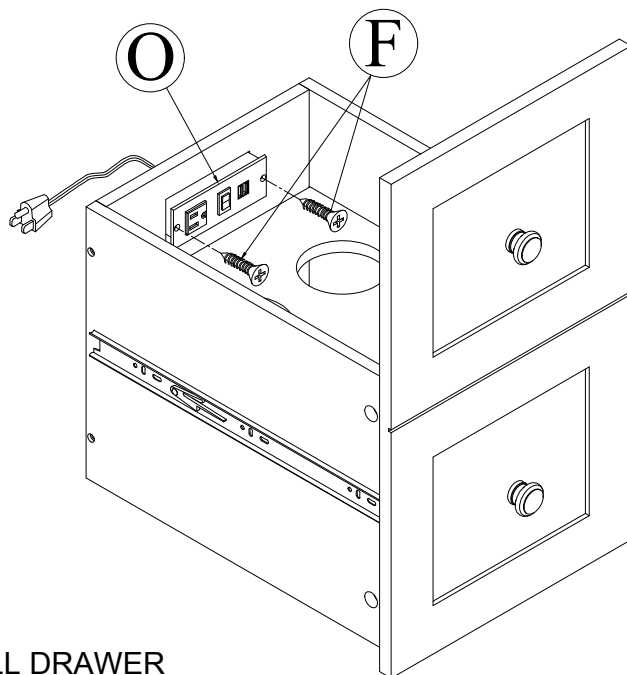
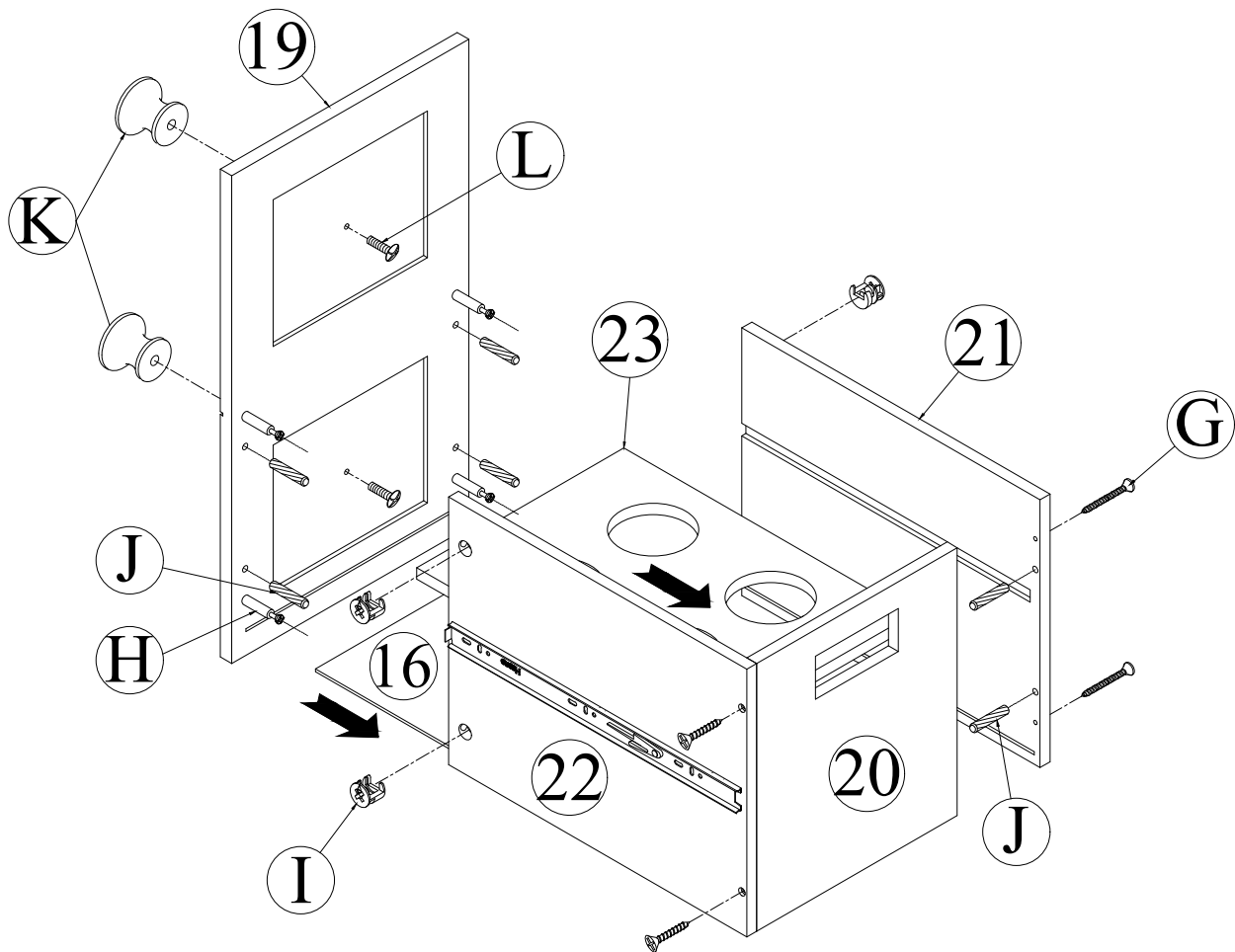
### 3).ASSEMBLE BIG DRAWER

- PLACE THE PANEL (17/18) INTO THE HOLES IN THE PANEL (12) AND ATTACH USING 4 SCREWS (G)
- SLIDE THE DRAWER BOTTOM PANEL (13) INTO THE TRENCH IN THE PANEL (17/18)
- ROTATE 4 CAM-BOLTS (H) INTO THE HOLES IN THE PANEL (11).
- PLACE THE PANEL (11) INTO THE HOLES IN THE PANEL (17/18) AND ATTACH USING 4 CAM-LOCK (I)
- PLACE THE KNOB (K) INTO THE HOLES IN THE PANEL (11) AND ATTACH USING BOLTS (L)



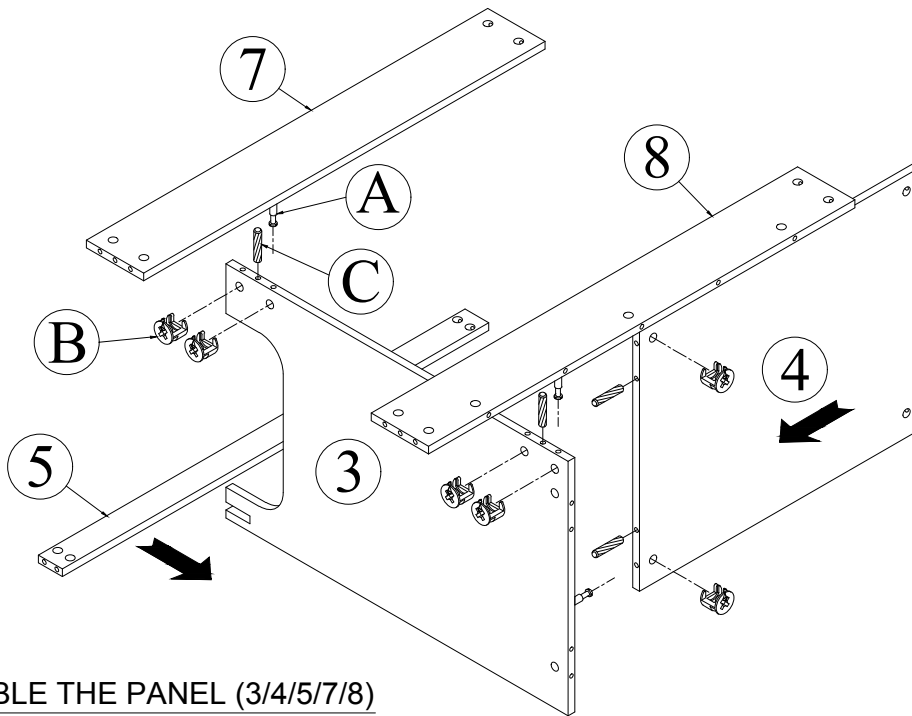
### 4).ASSEMBLE SMALL DRAWER

- PLACE THE PANEL (17/18) INTO THE HOLES IN THE PANEL (15) AND ATTACH USING 4 SCREWS (G)
- SLIDE THE DRAWER BOTTOM PANEL (16) INTO THE TRENCH IN THE PANEL (17/18)
- ROTATE 4 CAM-BOLTS (H) INTO THE HOLES IN THE PANEL (14).
- PLACE THE PANEL (14) INTO THE HOLES IN THE PANEL (17/18) AND ATTACH USING 4 CAM-LOCK (I)
- PLACE THE KNOB (K) INTO THE HOLES IN THE PANEL (14) AND ATTACH USING BOLTS (L)



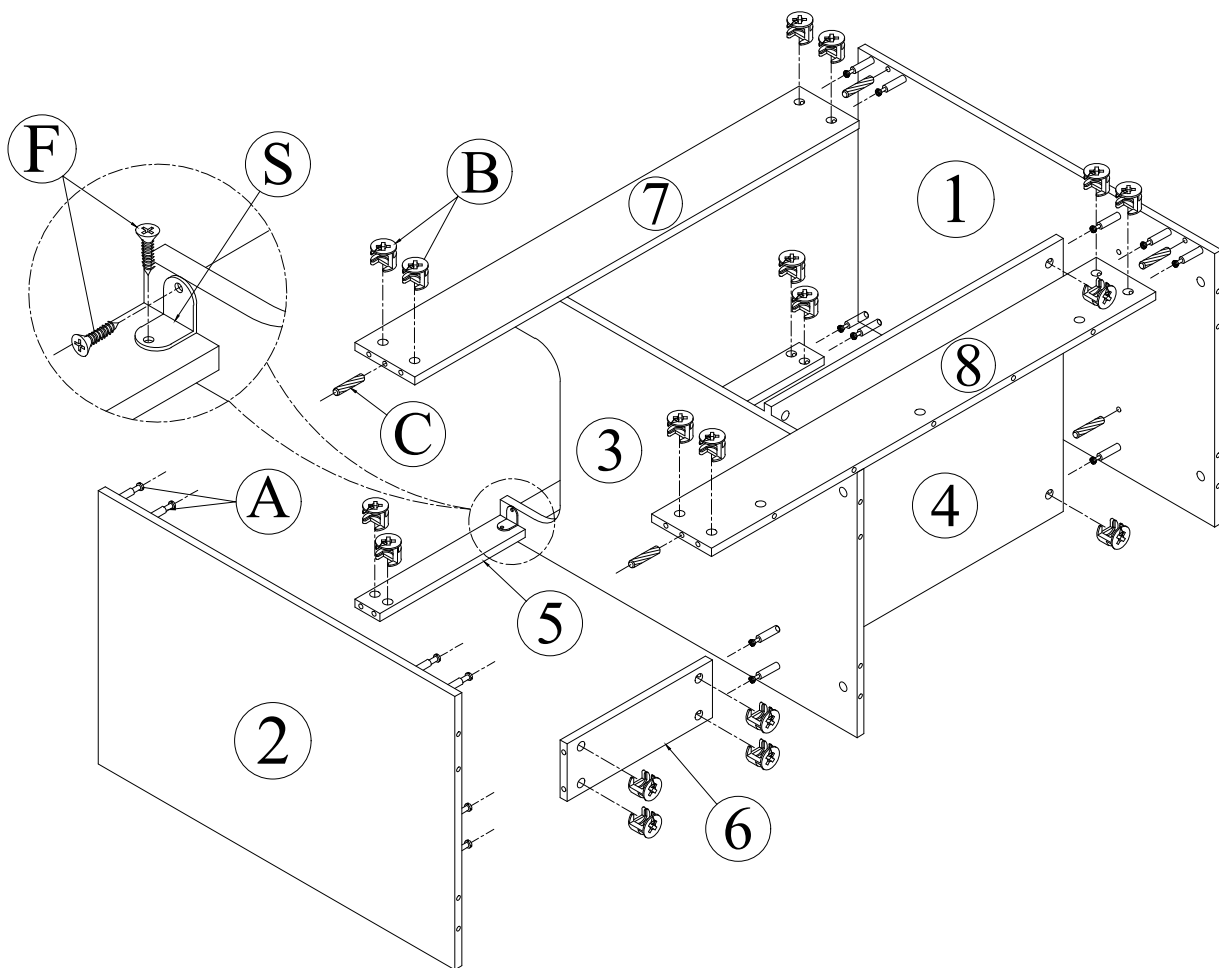
### 5).ASSEMBLE SMALL DRAWER

- PLACE THE PANEL (21/22) AND 4 DOWELS (J) INTO THE HOLES IN THE PANEL (20) AND ATTACH USING 4 SCREWS (G)
- SLIDE THE DRAWER BOTTOM PANEL (16) AND SHELF (23) INTO THE TRENCH IN THE PANEL (21/22)
- PLACE THE KNOB (K) INTO THE HOLES IN THE PANEL (14) AND ATTACH USING BOLTS (L)
- ROTATE 4 CAM-BOLTS (H) INTO THE HOLES IN THE PANEL (19)
- PLACE THE PANEL (19) AND 4 DOWELS (J) INTO THE HOLES IN THE PANEL (17/18) AND ATTACH USING 4 CAM-LOCK (I)
- PLACE THE SOCKET (O) INTO THE HOLES IN THE PANEL (20) AND ATTACH USING 2 SCREWS (F)



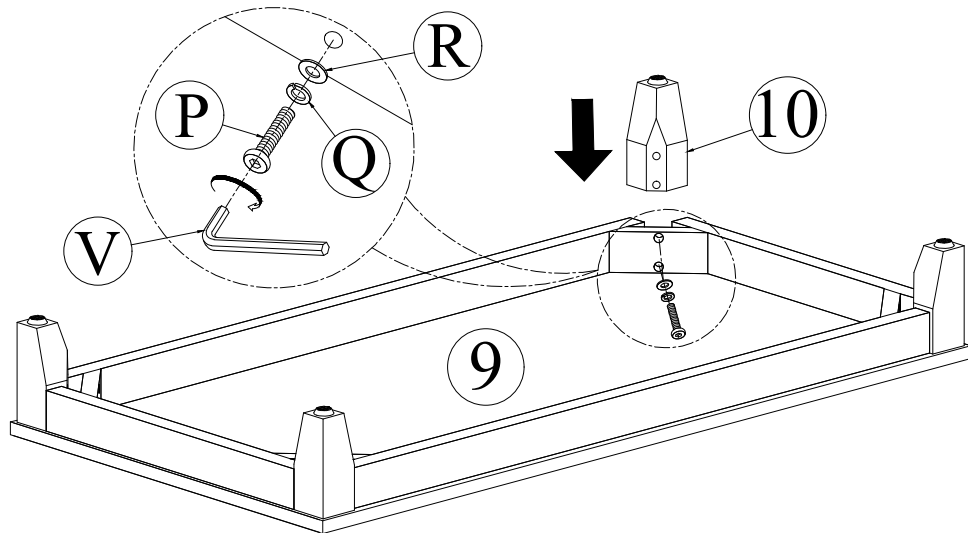
**6).ASSEMBLE THE PANEL (3/4/5/7/8)**

- ROTATE 6 CAM-BOLTS (A) INTO THE HOLES IN THE PANEL (3/7/8).
- PLACE THE PANEL (4/5/7/8) AND 4 DOWELS (C) INTO THE HOLES IN THE PANEL (3) AND ATTACH USING 6 CAM-LOCK (B).



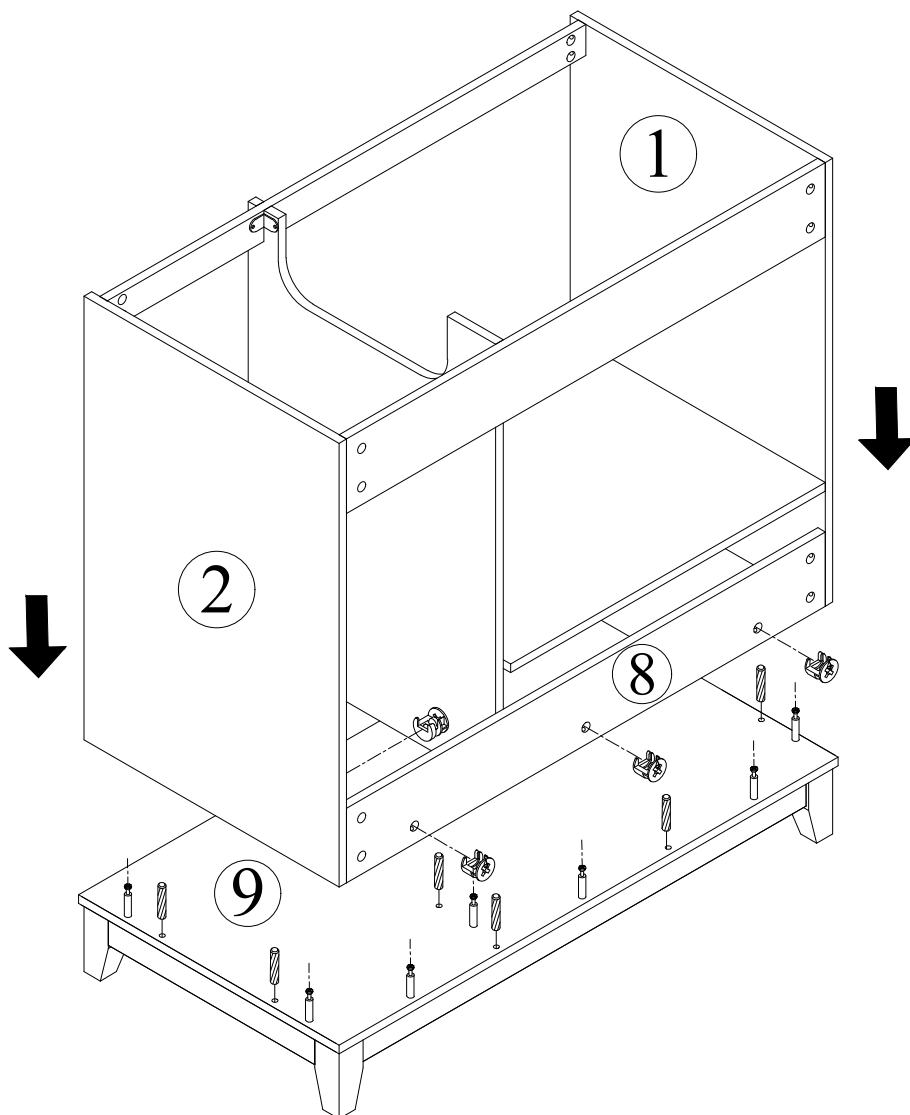
**7).ASSEMBLE MAIN BODY**

- ROTATE 18 CAM-BOLTS (A) INTO THE HOLES IN THE PANEL (1/2).
- PLACE THE PANEL (4/5/6/7/8) AND 6 DOWELS (C) INTO THE HOLES IN THE PANEL (1/2) AND ATTACH USING 18 CAM-LOCK (B).



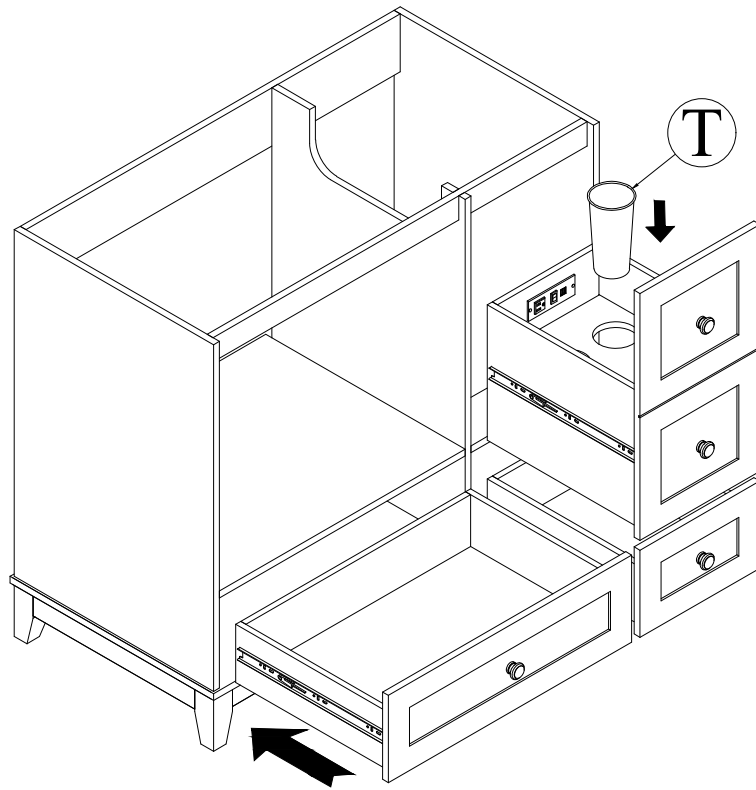
**8).ASSEMBLE THE LEGS (10) AND THE BOTTOM FRAME (9)**

- PLACE THE LEGS (10) INTO THE HOLES AND ATTACH USING 8 BOLTS (P,Q,S)



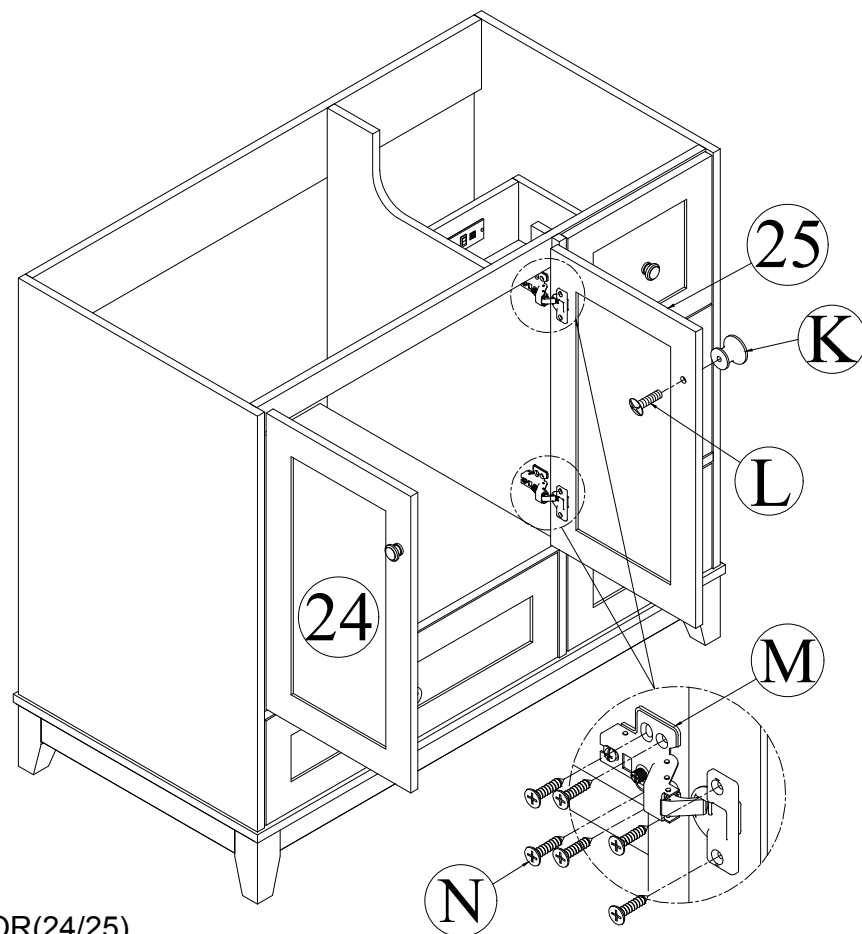
**9).ASSEMBLE BOTTOM FRAME AND MAIN BODY**

- ROTATE 9 CAM-BOLTS (A) INTO THE HOLES IN THE BOTTOM FRAME (9).
- PLACE THE MAIN BODY (STEP 7) AND 8 DOWELS (C) INTO THE HOLES IN THE PANEL (9) AND ATTACH USING 9 CAM-LOCK (B).



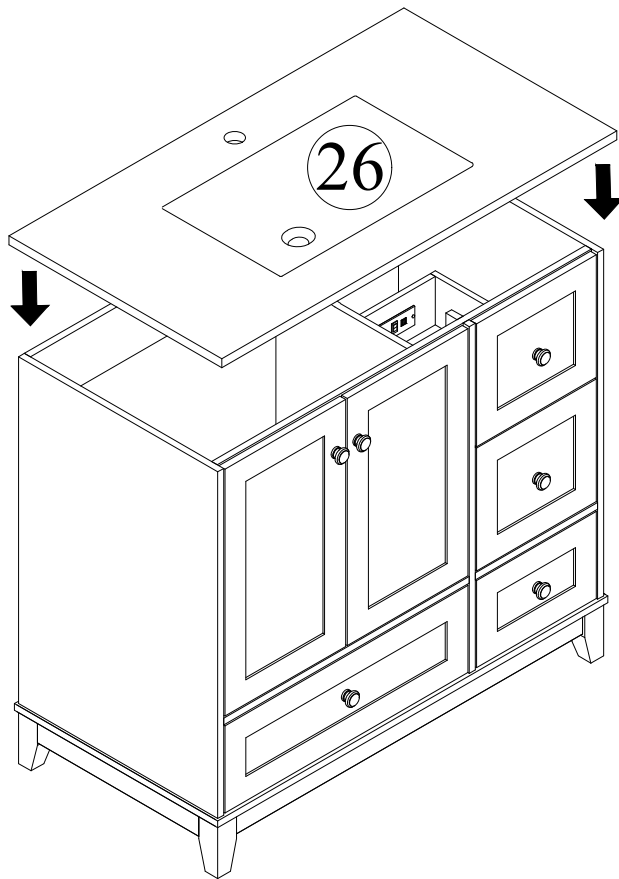
10).ASSEMBLE DRAWER AND MAIN BODY

- SLIDE THE DRAWERS INTO THE SLIDERS-OUTS.
- PLACE THE CUP (T) INTO THE HOLES IN THE SHELF PANEL (23)



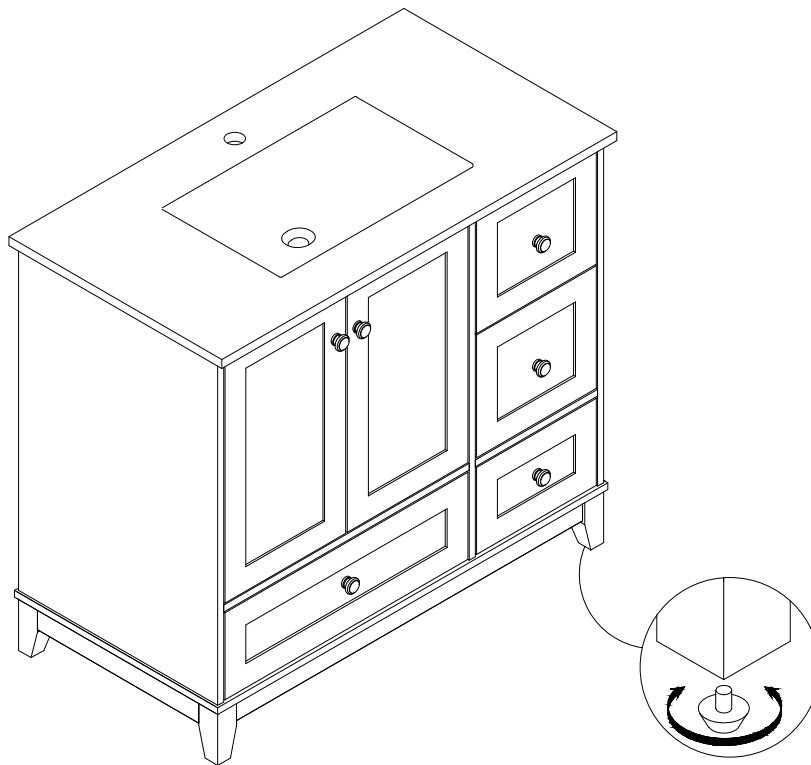
11).ASSEMBLE DOOR(24/25)

- PLACE 4 HINGES (M) INTO THE PANEL (24/25) AND ATTACH USING 24 SCREWS (N)
- PLACE THE KNOB (K) INTO THE HOLES IN THE PANEL (24/25) AND ATTACH USING BOLTS (L)



12).ASSEMBLE SINK

- PLACE THE SINK (26) INTO THE MAIN BODY



13).TWIST THE ADJUSTTBLE FEET TO ENSURE THAT MAIN BODY IS LEVEL AN STEADY