

# Ceramic Table Lamp

## Assembly Instructions

### Important Safety Instructions:

- These instructions are provided for your safety. It is very important that they are read carefully and completely before beginning the assembly and installation of this lighting fixture.
- If the flexible cable or cord of this lighting fixture is damaged, it shall be exclusively replaced by the manufacturer or his service agent or a similar qualified person to avoid a hazard.
- This fixture has been rated for up to one (1) **E27 60W MAX. TYPE A standard light bulb** (not included). To avoid the risk of fire, do not exceed the recommended lamp wattage.
- This lamp is meant for indoor use.
- **Save these instructions.**

### WARNING:

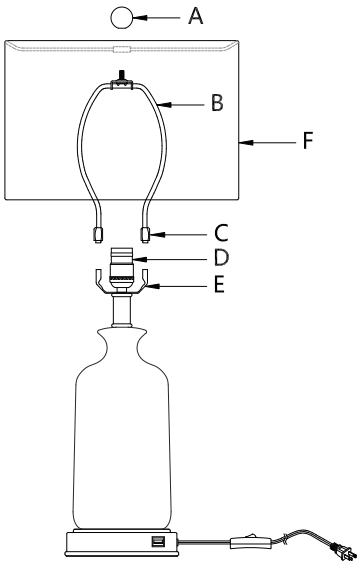
- **To reduce the risk of fire, electrical shock or personal injury, always turn off and unplug the light fixture and allow it to cool prior to replacing the light bulb.**
- **Do not touch bulb when fixture is turned on. Do not look directly at lit bulb.**
- **Keep flammable materials away from lit bulb.**

### Pre-assembly:

- Remove all parts and hardware from box along with any plastic protective packaging.
- Do not discard any contents until after assembly is complete to avoid accidentally discarding small parts or hardware.

### Care Instructions:

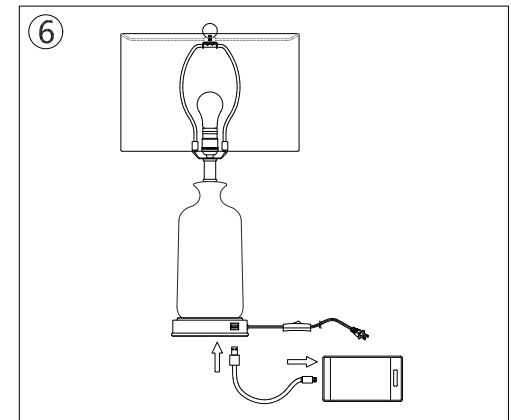
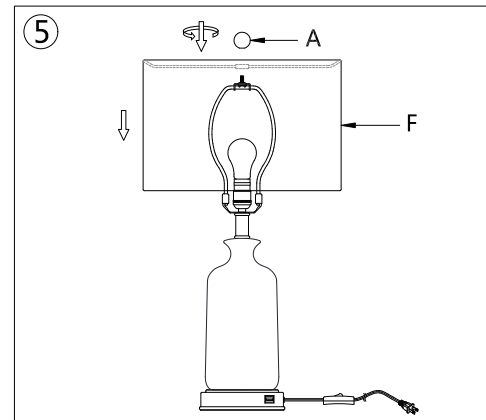
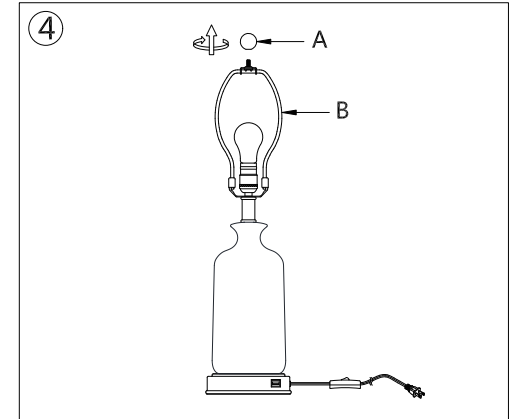
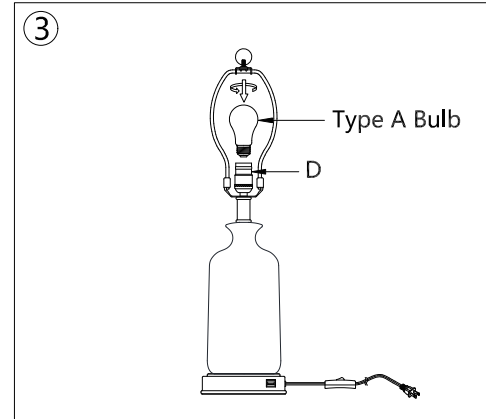
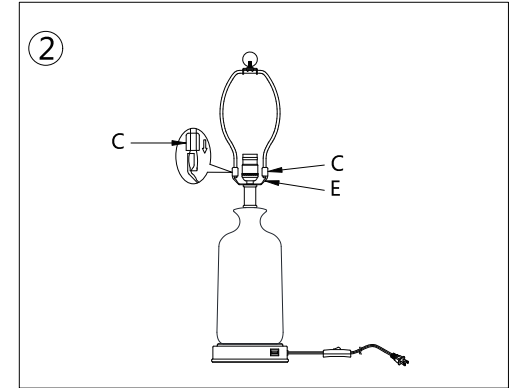
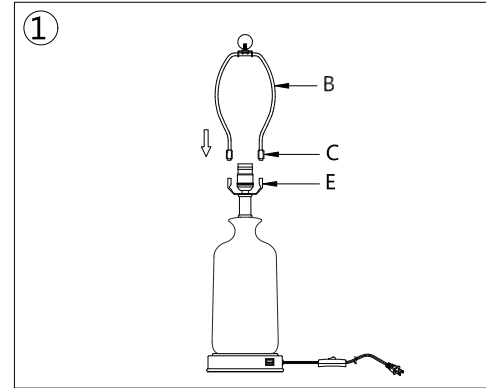
- Dust often using a clean, soft, dry and lint-free cloth.
- Blot spills and wipe with a clean, damp cloth immediately.
- We do not recommend the use of chemical cleansers, abrasives or furniture polish on our lacquered finish.
- Hardware may loosen over time. Periodically check to make sure all connections are tight. Re-tighten if necessary.



Shade Assembly Instructions		
A:Shade 1PC	B:Ring 1PC	C:Ring 1PC
Shade Steps		
<p>steps 1</p> <p>Velcro Fixed</p>	<p>steps 2</p> <p>Ring-B</p> <p>Stuck into the metal hook</p>	
<p>steps 3</p> <p>Ring-C</p> <p>Stuck into the metal hook</p>	<p>steps 4</p> <p>Complete</p>	

# Ceramic Table Lamp

## Assembly Instructions



**Note: There is one USB Port on the fixture base, which can be used for charging USB devices (USB charging cable is not included). The output maximum is 5V/2A. Do not overcharge.**