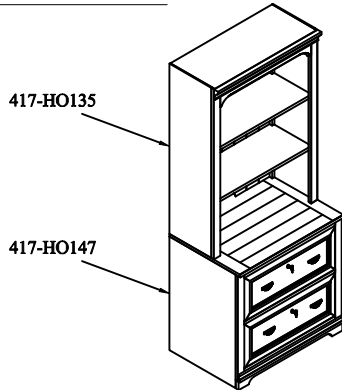


## ASSEMBLY INSTRUCTION

### DESCRIPTION: BUNCHING LATERAL FILE CABINET BUNCHING LATERAL FILE HUTCH

**Thank you for purchasing this quality product. Be sure to check all packing material carefully for small parts, which may have come loose inside the carton during shipment. Identify and count all parts and compare with the parts list below.**

#### COMPLETED:



#### PARTS LIST

| NO | DRAWING | DESCRIPTION                   | Q'TY |
|----|---------|-------------------------------|------|
| 1  |         | Bunching lateral File Cabinet | 1    |
| 2  |         | Bunching lateral File Hutch   | 1    |

#### HARDWARE LIST 1 ( 417-HO135)

| NO | DRAWING | DESCRIPTION               | Q'TY |
|----|---------|---------------------------|------|
| A  |         | Bolt Ø1/4"-20*20mm(L)     | 2    |
| B  |         | Spring Washer Ø1/4"*Ø13mm | 2    |
| C  |         | Flat Washer Ø1/4"*Ø19mm   | 2    |
| D  |         | Allen Key 4mm             | 1    |
| E  |         | Tipping Restraint         | 1    |

#### HARDWARE LIST 2 ( 417-HO147)

| NO | DRAWING | DESCRIPTION       | Q'TY |
|----|---------|-------------------|------|
| E  |         | Tipping Restraint | 1    |

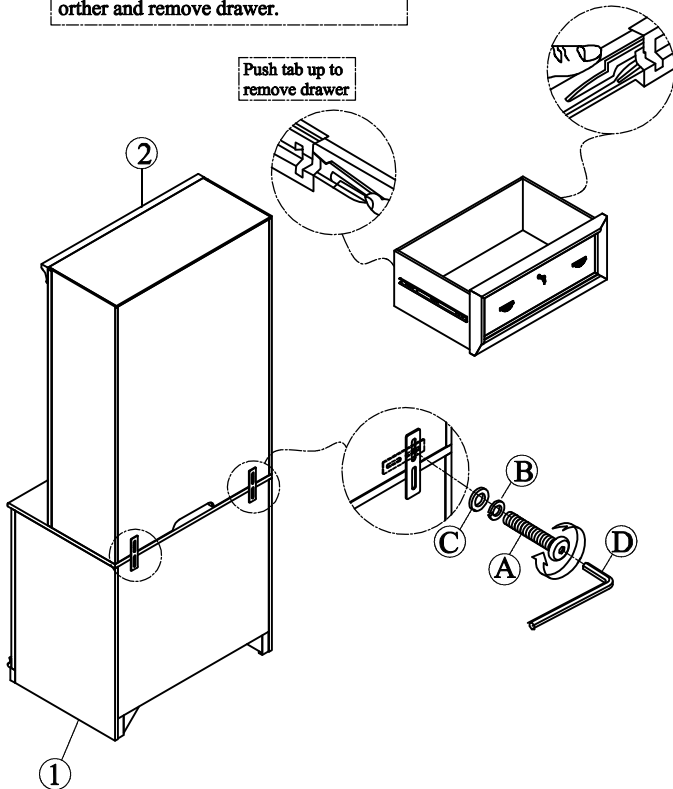
#### STEP 1

##### HOW TO REMOVE DRAWER

To remove drawer, simultaneously pull tab up on one side and push down on the other and remove drawer.

Push tab down to remove drawer

Push tab up to remove drawer



#### STEP 2

