

Assembly Instruction

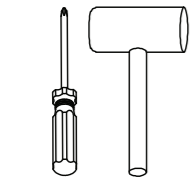
Computer Desk with 3 bins

00:50

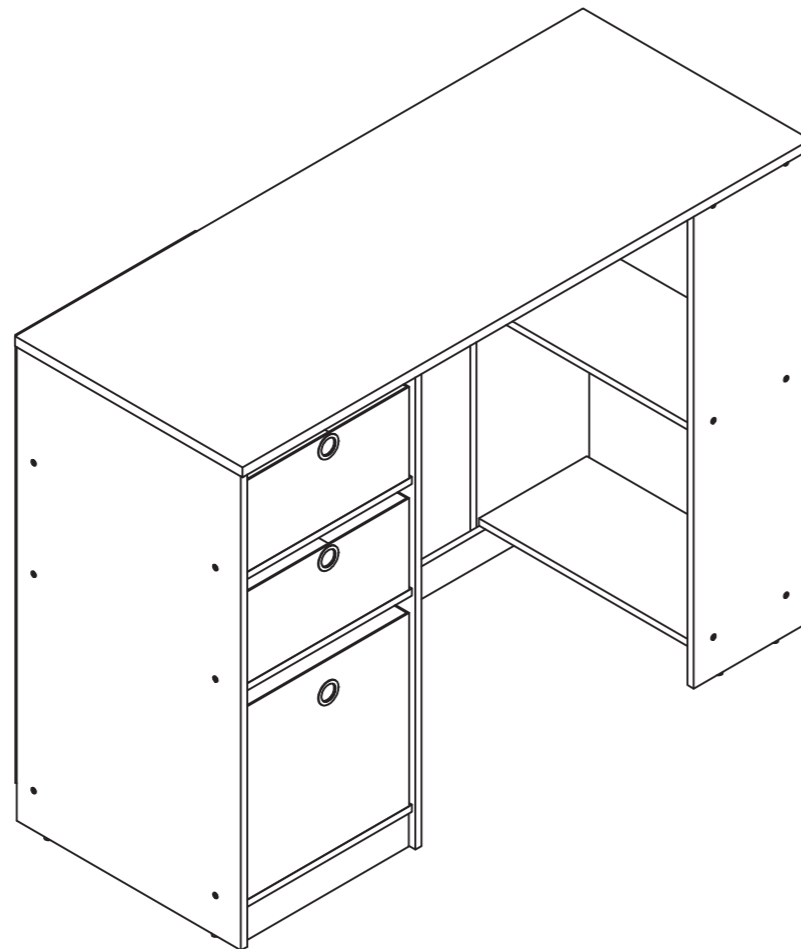
Approx. 50 minutes










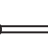



Recomm. 2 Person

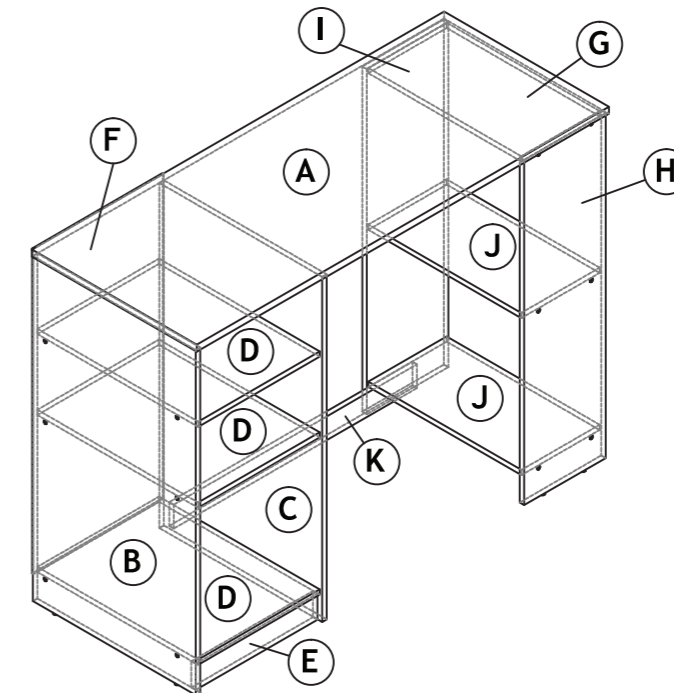


Tool Required



No	Parts List	Qty
A	TOP PANEL	1pc
B	LEFT SIDE LEFT PANEL	1pc
C	LEFT SIDE RIGHT PANEL	1pc
D	LEFT SHELF PANEL	3pcs
E	LEFT LEG PANEL	1pc
F	LEFT BACK PANEL	1pc
G	RIGHT TOP SUPPORT PANEL	1pc
H	RIGHT SIDE FRONT PANEL	1pc
I	RIGHT SIDE BACK PANEL	1pc
J	SHELF PANEL	2pcs
K	BACK SUPPORT BAR	1pc

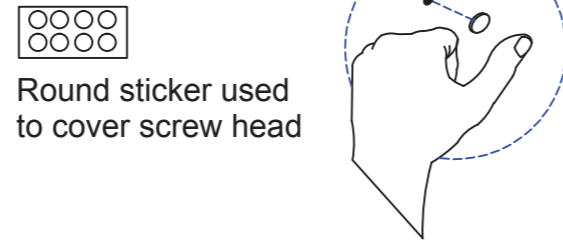
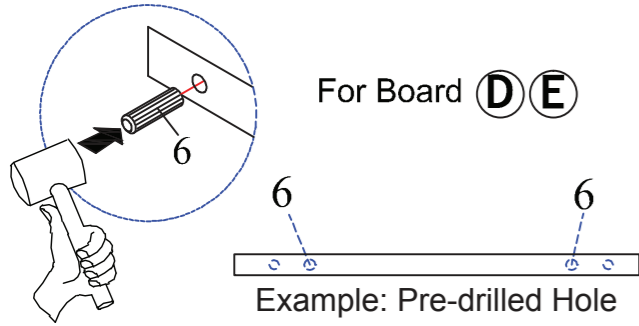
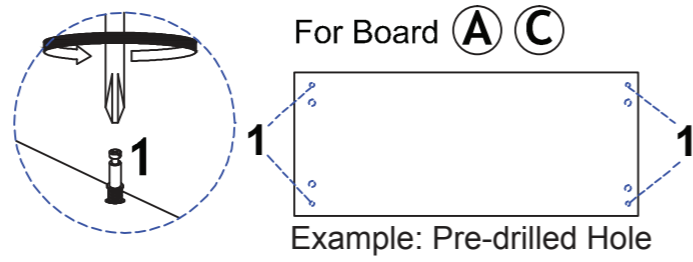
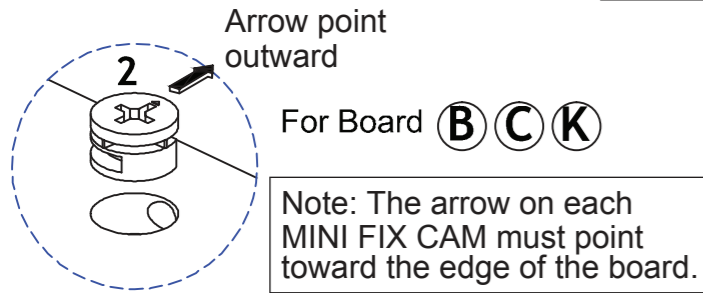
No	Hardware List	Qty
1	MINI FIX BOLT 	5pcs
2	MINI FIX CAM 	5pcs
3	SCREW A 	24pcs
4	SCREW B 	6pcs
5	SCREW C 	2pcs
6	DOWEL 	20pcs
7	NAIL LEG 	8pcs
8	POWER PIN 	14pcs
9	ROUND STICKER 	18pcs
10	NON WOVEN BIN (SMALL) 	2pcs
11	NON WOVEN BIN (BIG) 	1pc



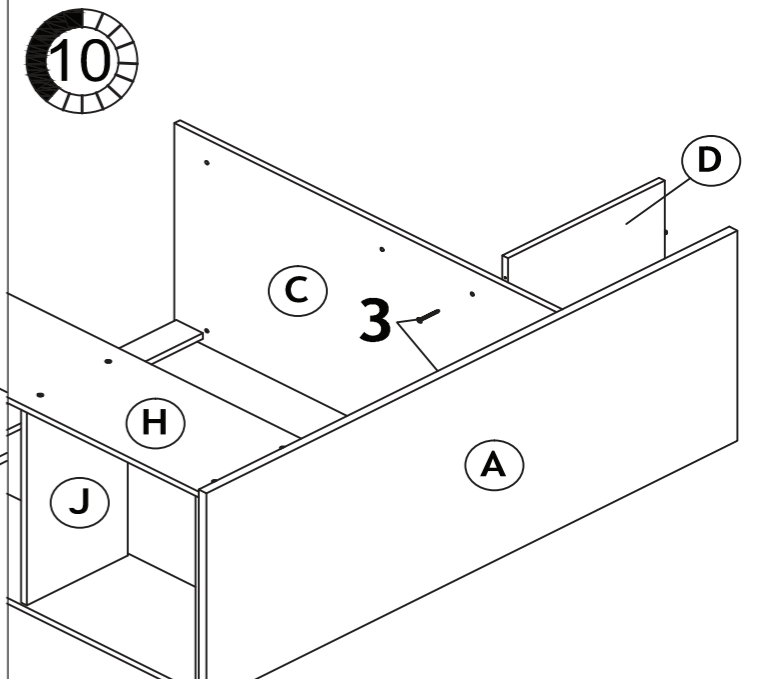
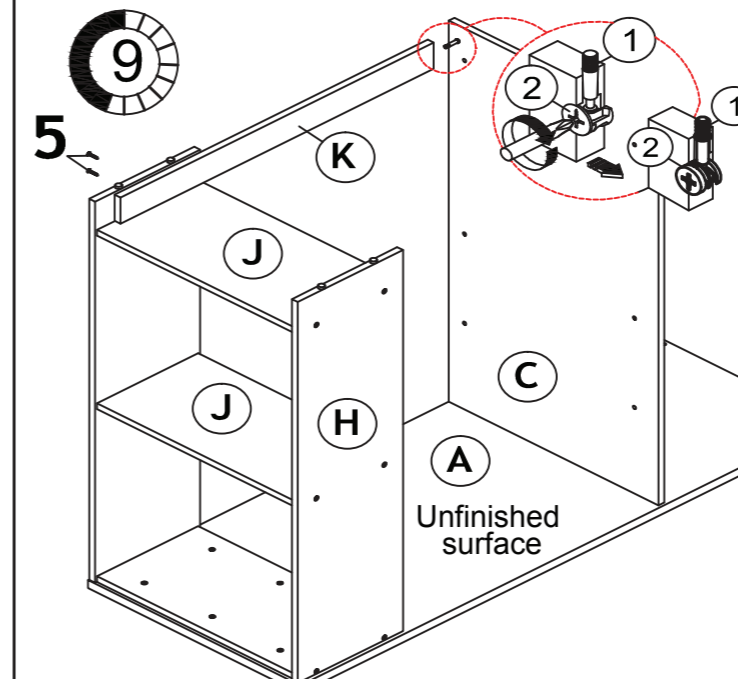
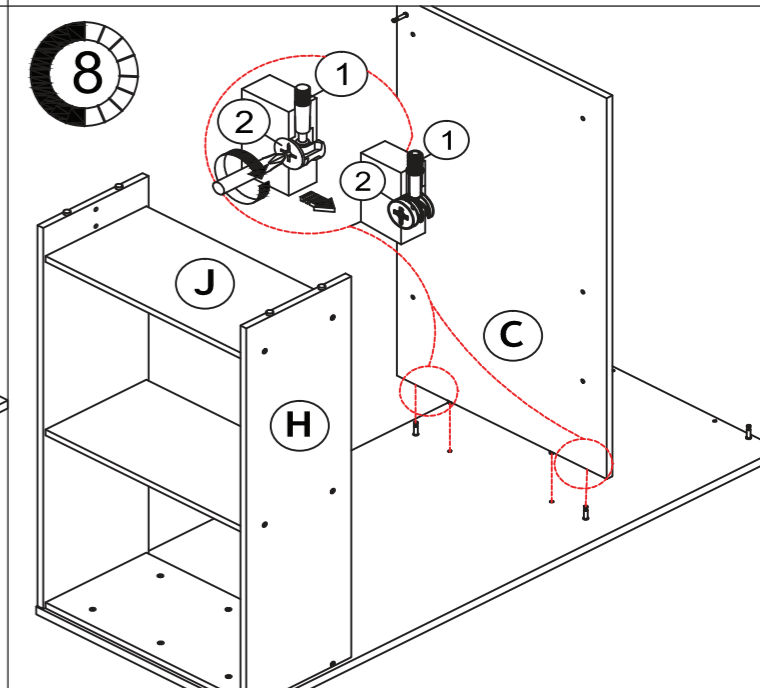
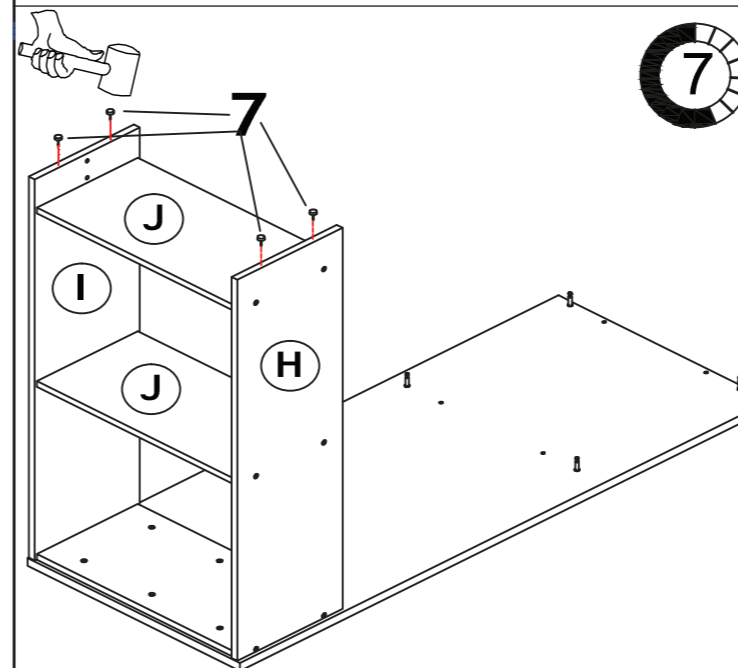
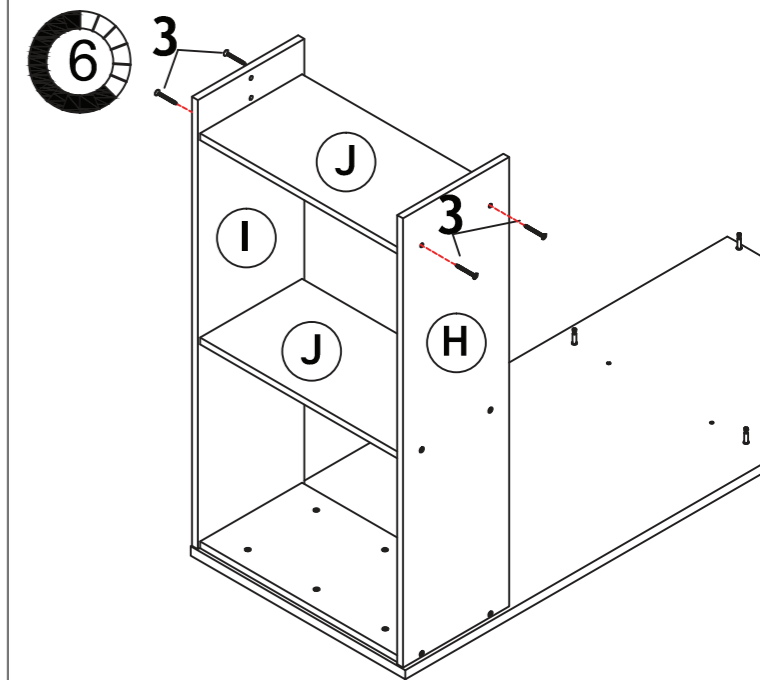
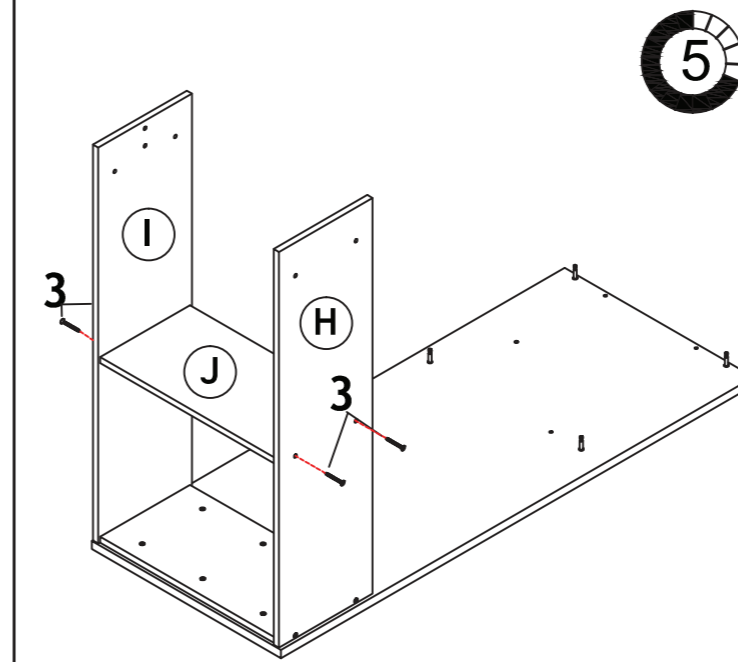
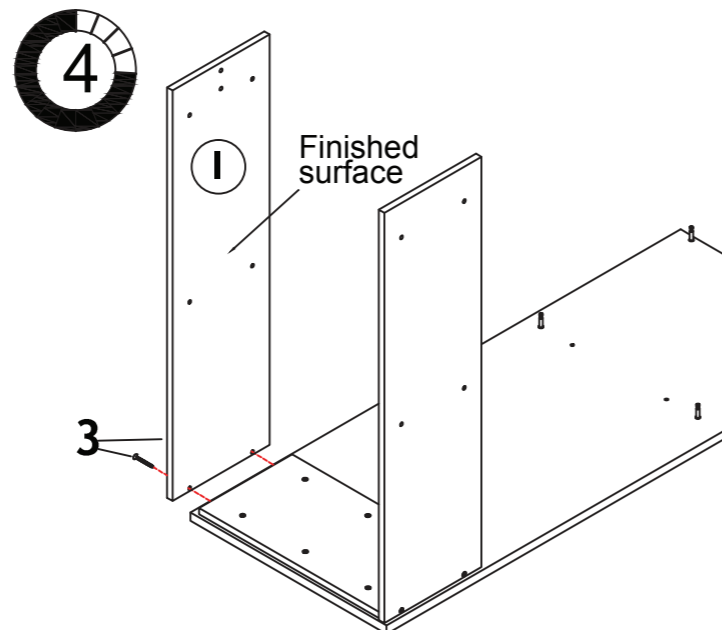
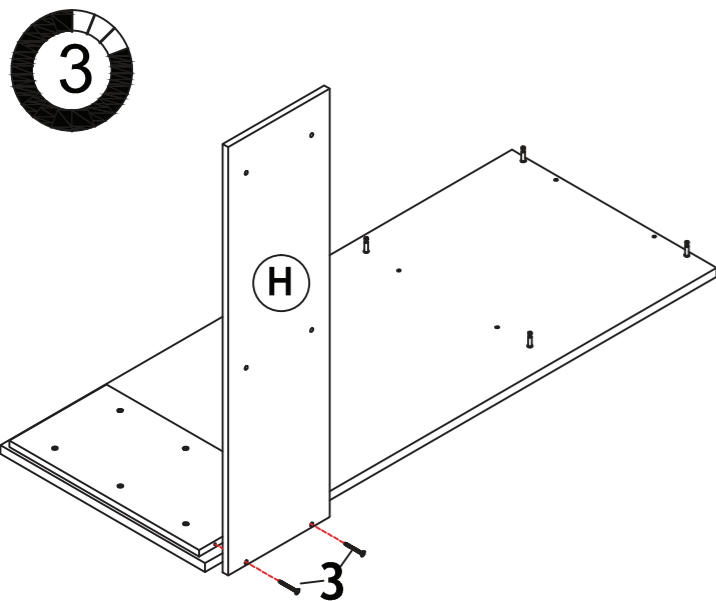
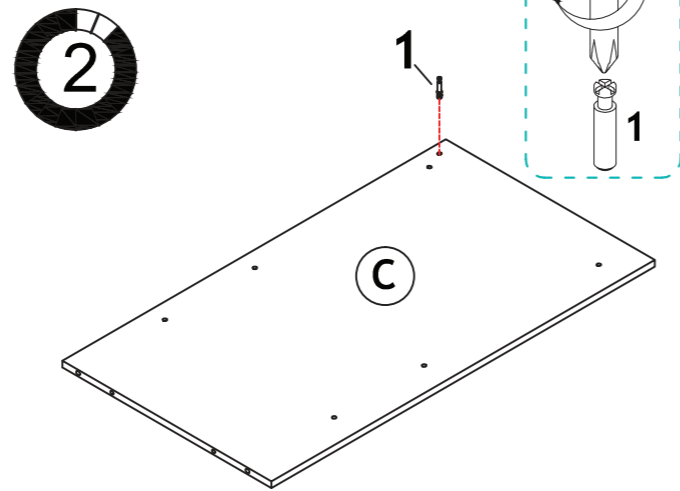
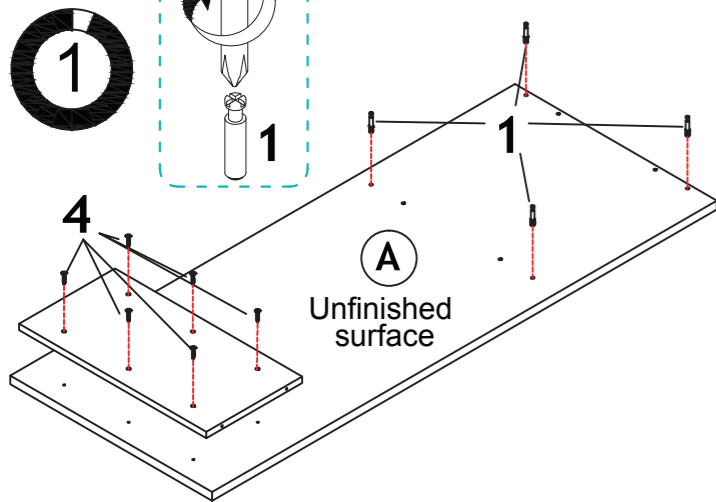
USEFUL HINTS BEFORE YOU START:

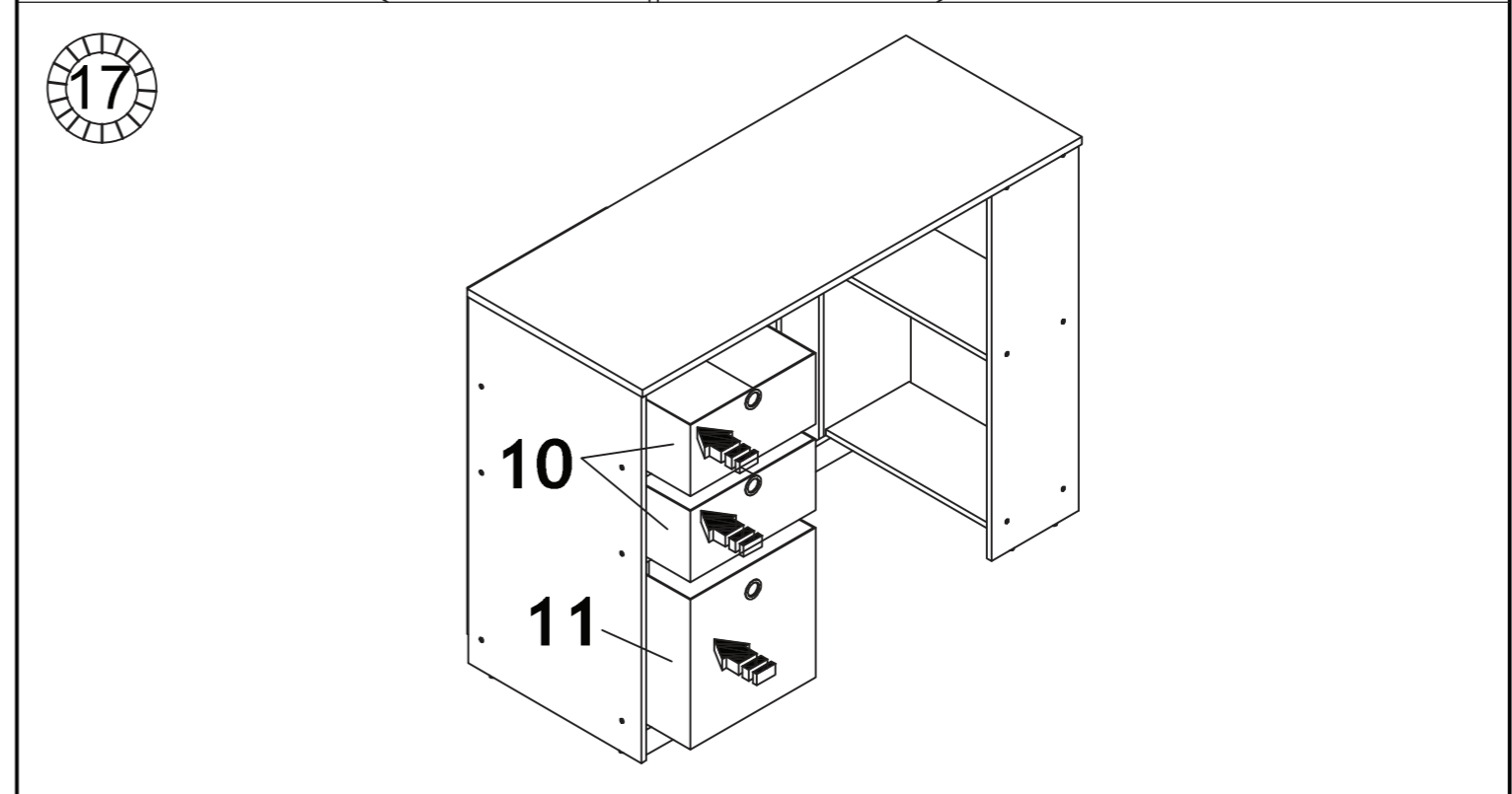
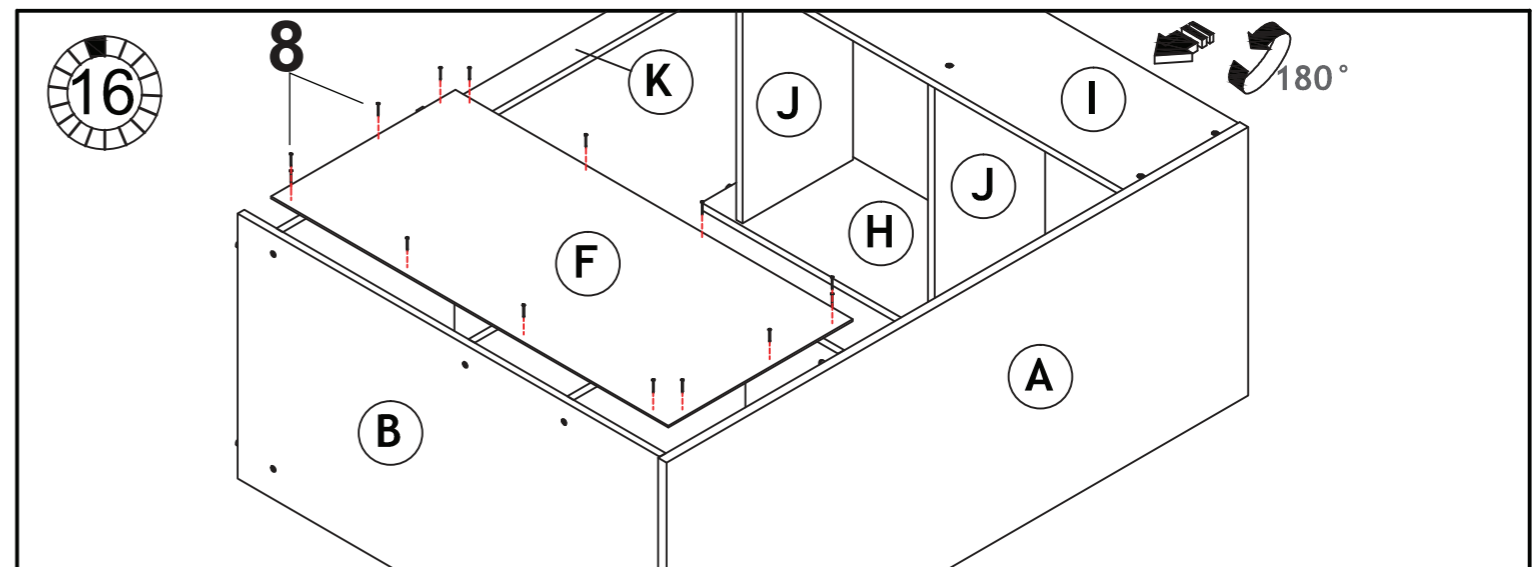
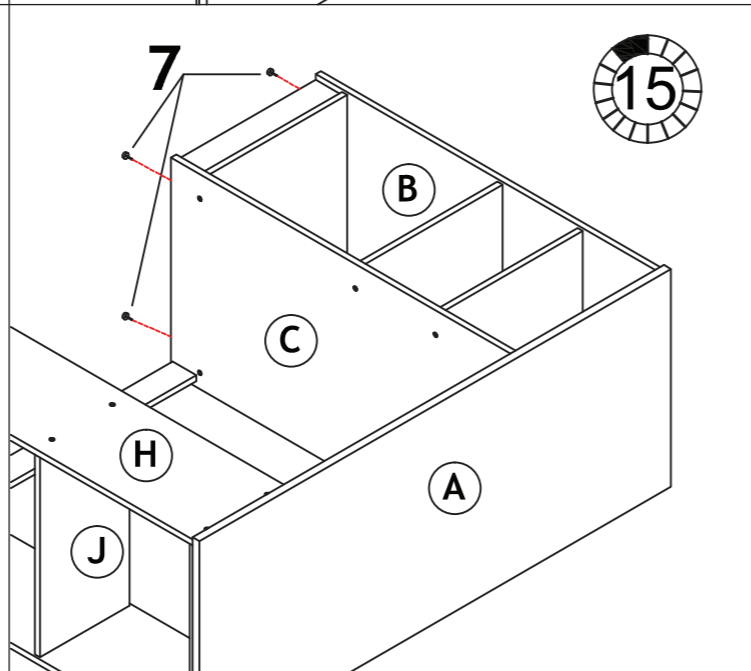
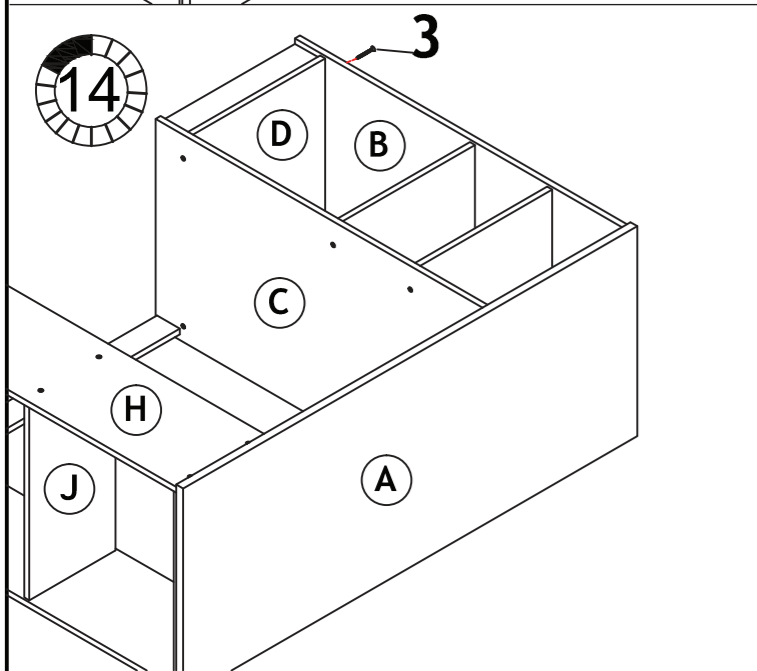
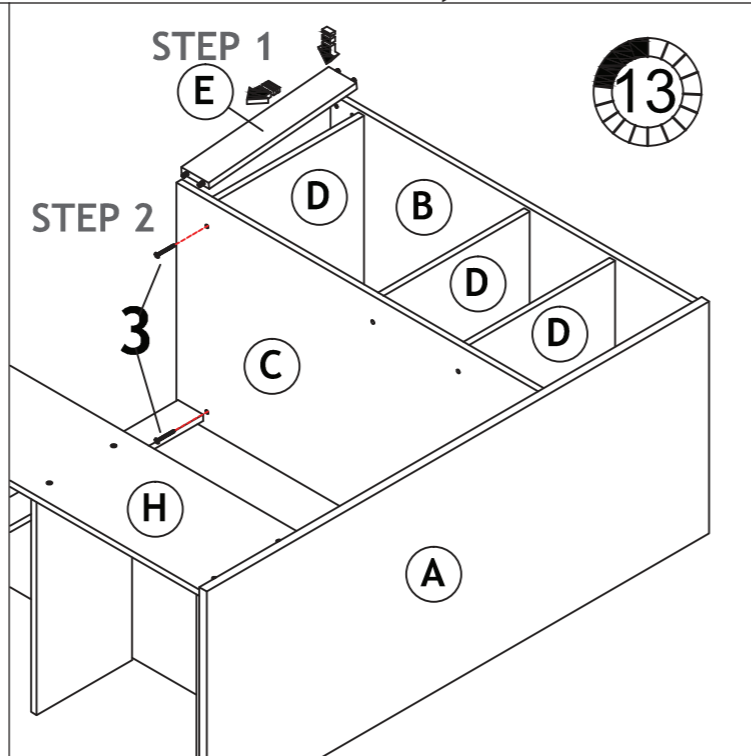
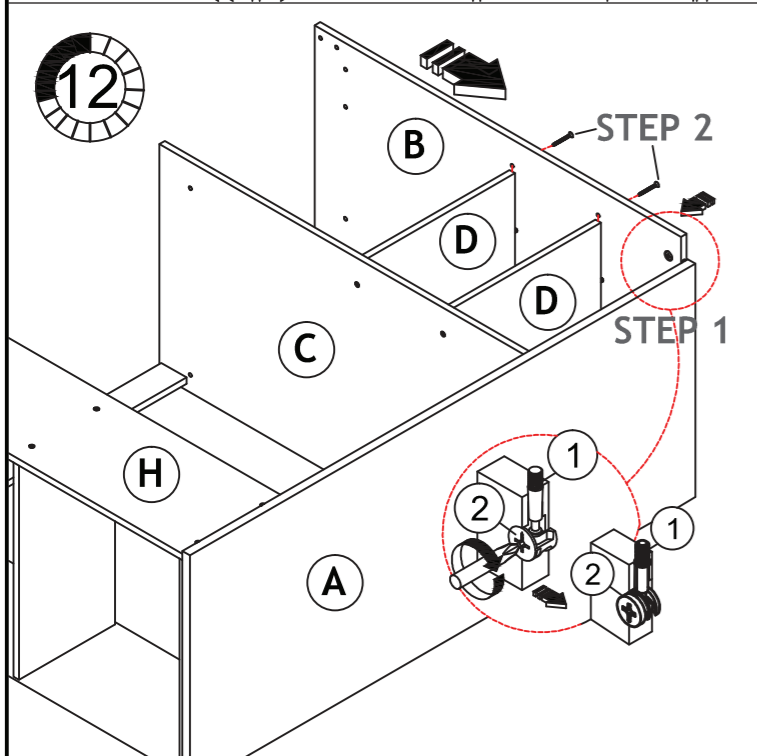
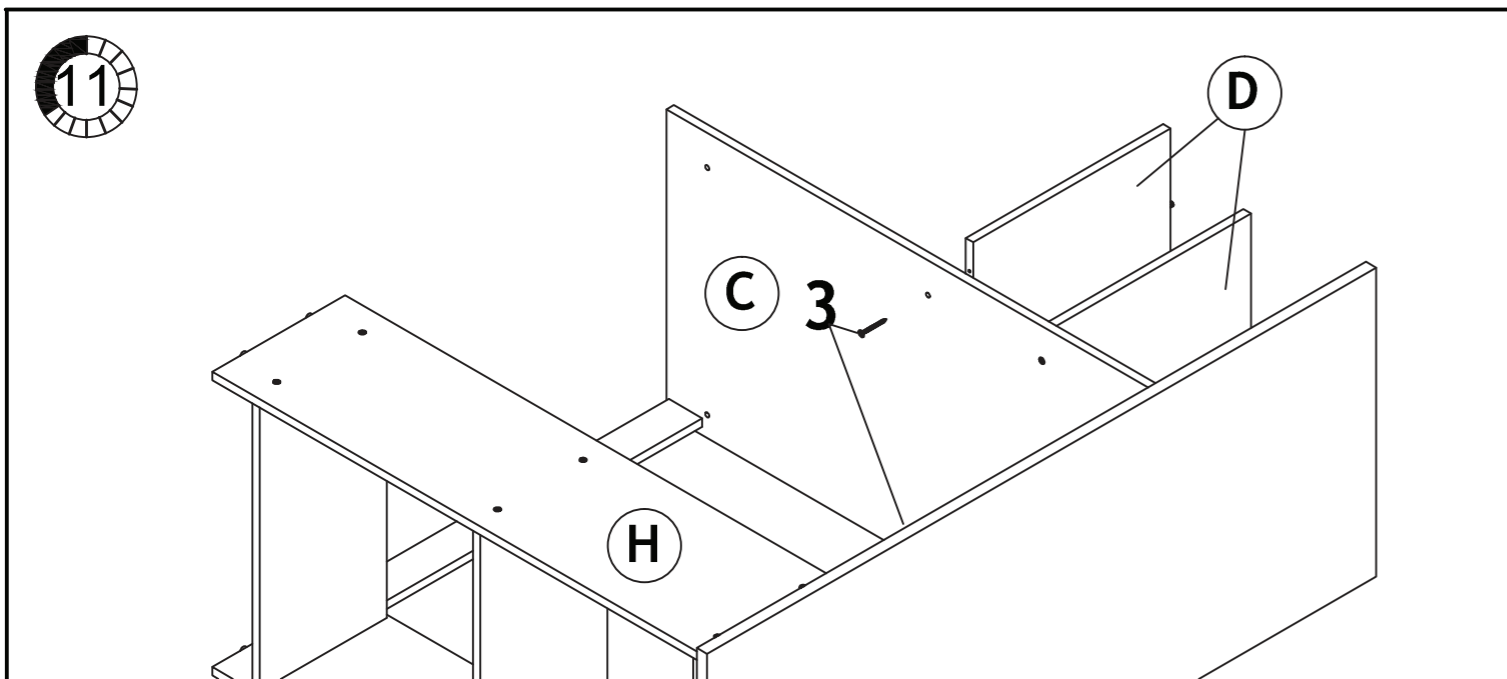
1. Read each step carefully before starting.
2. It is important that each step is performed in correct order to avoid difficulties.
3. Identify, sort and count the parts before assembly.
4. Assemble your furniture on packaging cardboard to prevent scratch or damage.
5. Clean the product with mild cleanser using soft damped cloth. Do not use harsh or abrasive cleanser.
6. Using incompatible hardware might cause damage to product.

HOW TO INSTALL

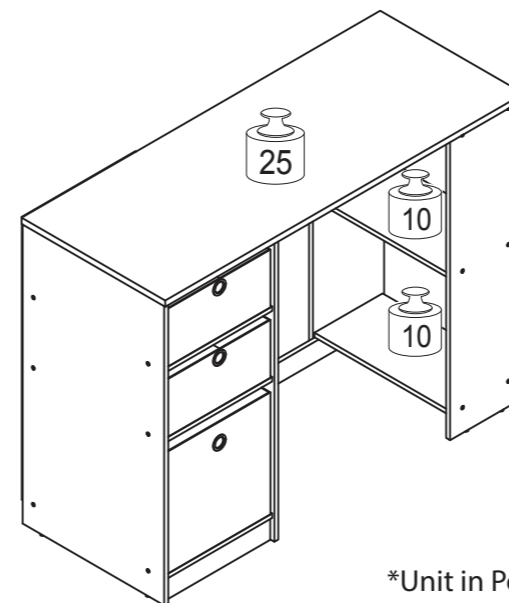


ASSEMBLY INSTRUCTION





Recommended Maximum Weight



*Unit in Pound(lbs)

WARNING:

>This unit has been designed to support the maximum loads shown. Exceeding these load limits could cause sagging, instability, product collapse, and/or serious injury.

>DO NOT allow children to climb on unit.

>Put heavier items on lower shelves.