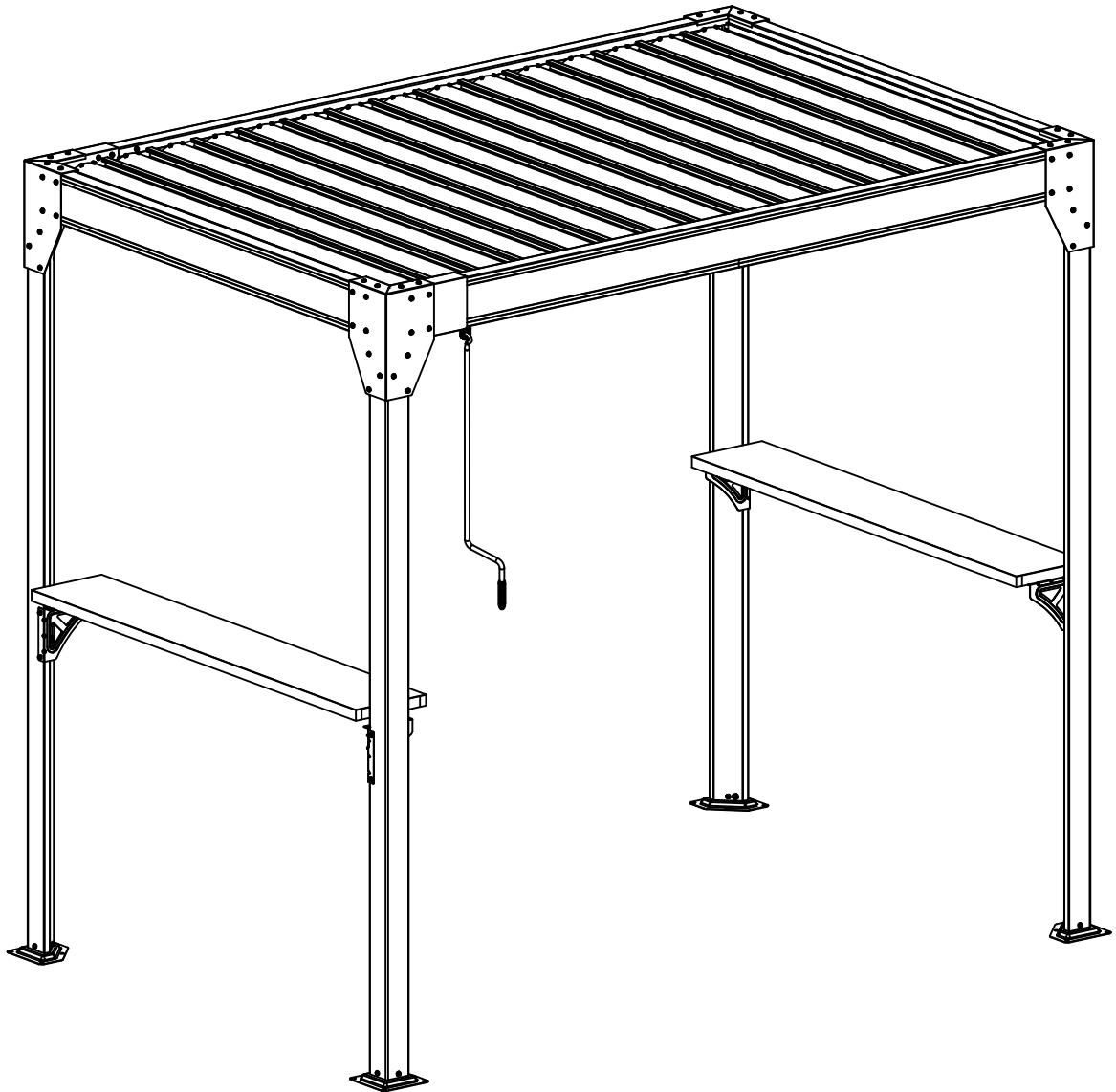


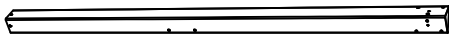
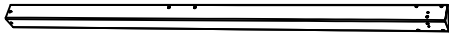


















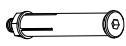


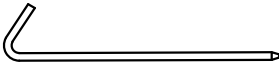
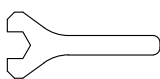

Grill Louvered Pergola Assembly and Installation Guide





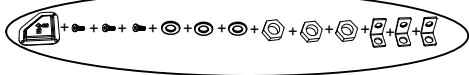



Important Notice:

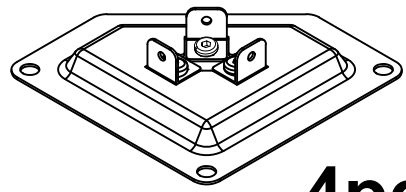
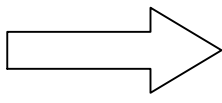
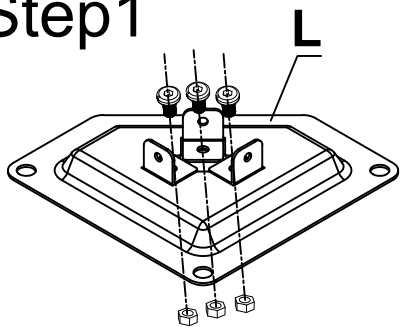
1. Review the Manual: Please take a moment to carefully check the manual to ensure all parts are included.
2. Missing Parts: If any parts are missing, please contact us with the specific letter of the missing item(s).
3. Damaged Parts: If you find any damaged parts, kindly provide clear photos. We will assess the situation promptly and offer the best possible solution.
4. Need Assistance? If you have any questions about installation or after-sales support, please don't hesitate to reach out.

Parts List

N0.	Qty	Picture
A1	2	
A2	2	
B1	1	
B2	1	
C	2	
D	2	
E	15	
F	4	
G	4	
H	4	
I	176	
J	116	 M6X15
K	60	 M6X8
L	4	
M	1	
N	1	
O	1	 M4X15
P	1	
Q	1	
R	4	
S	12	 M6*60
T	2	
U	2	
V	12	
W	1	
X	1	

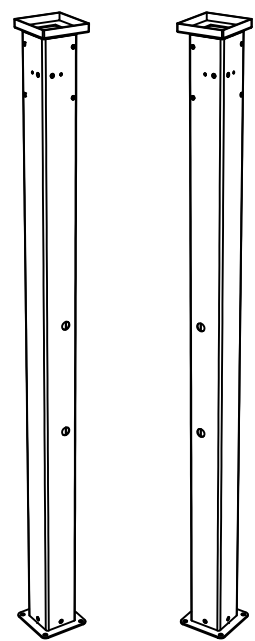
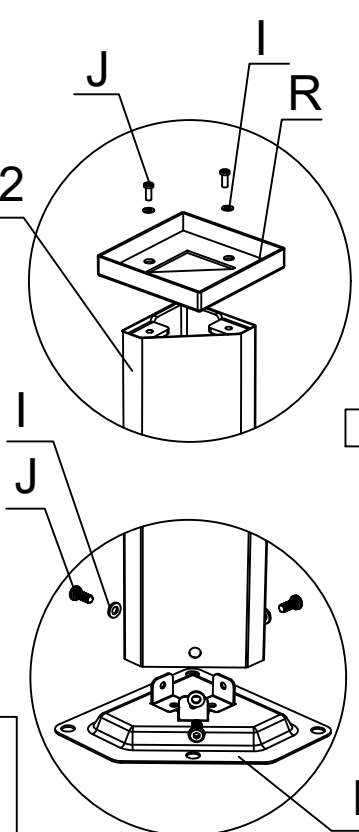
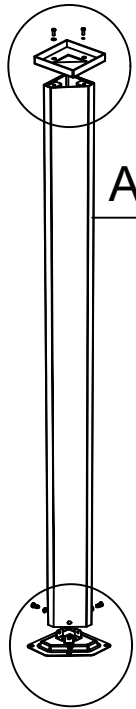
No.	Qty	Picture	No.	Qty	Picture
A1	2		R	4	
A2	2		J	20	
L	4		I	20	

Step1



4pcs

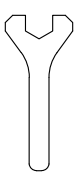
Step2






4pcs

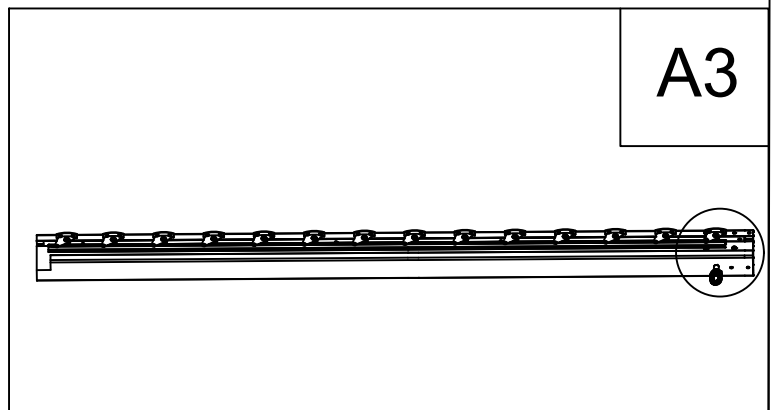
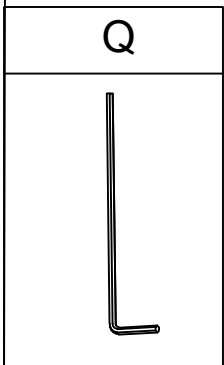
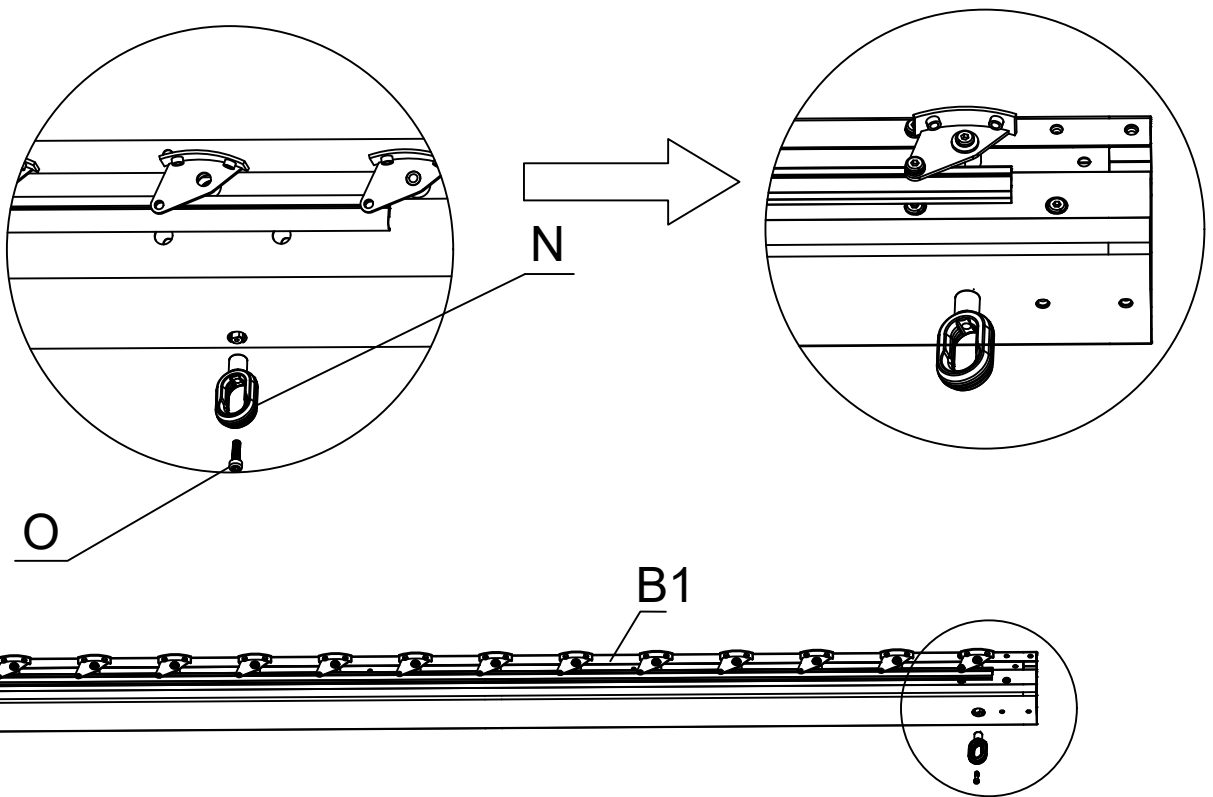
P

W



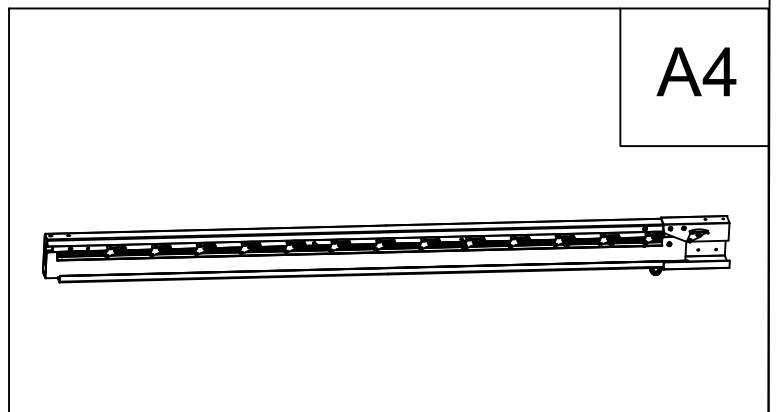
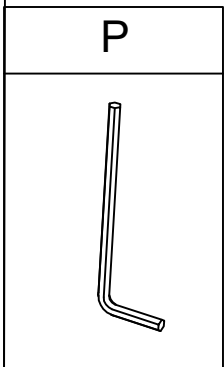
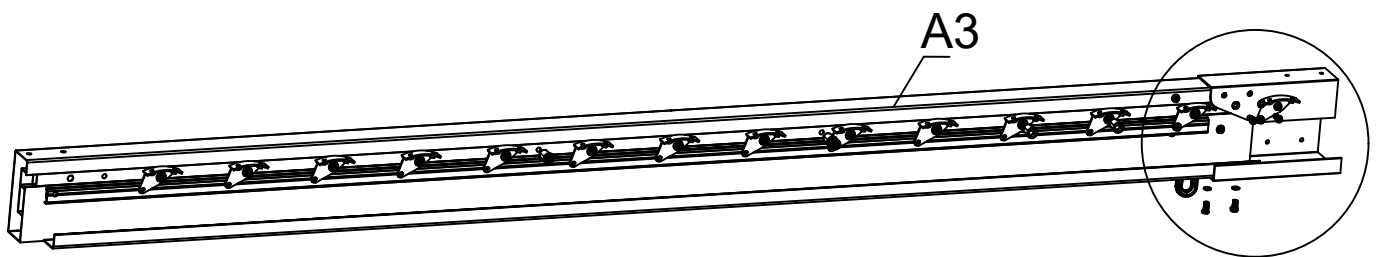
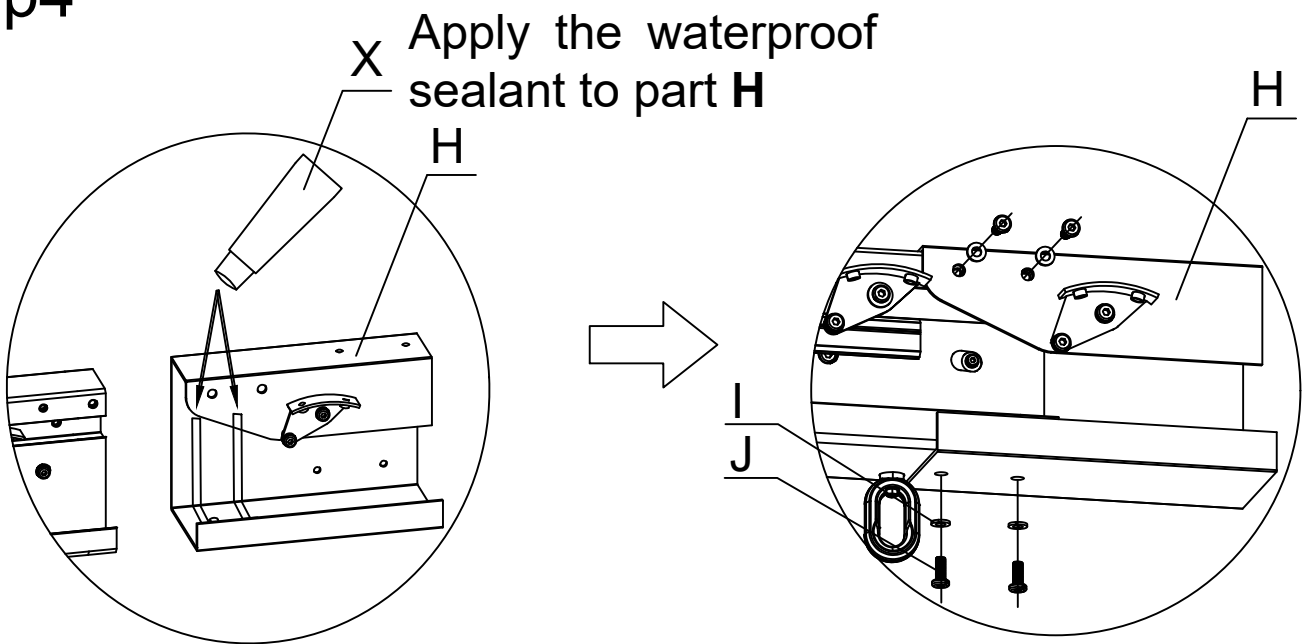
No.	Qty	Picture
B1	1	
N	1	
O	1	

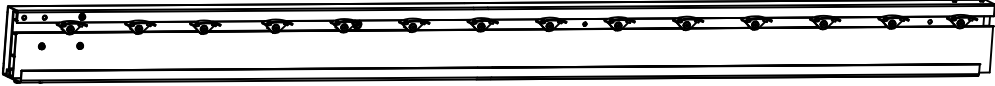
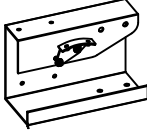


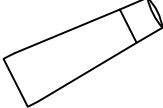
Step3



No.	Qty	Picture						
A3	1							
H	1							
J	4		I	4		X	1	

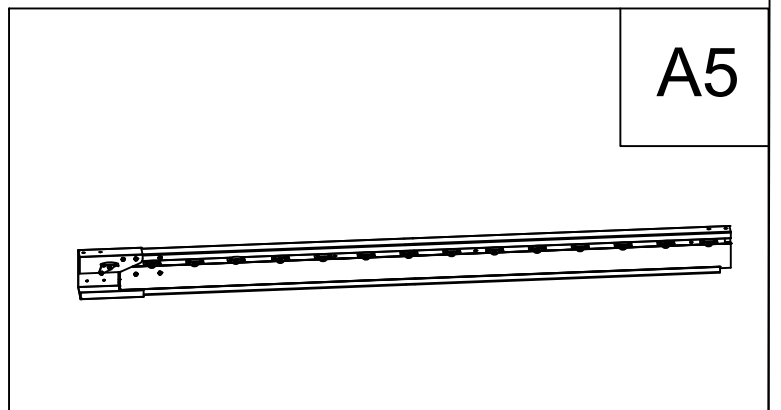
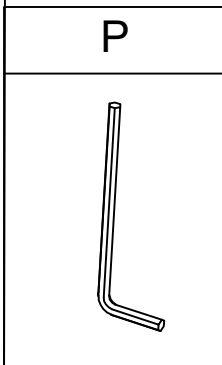
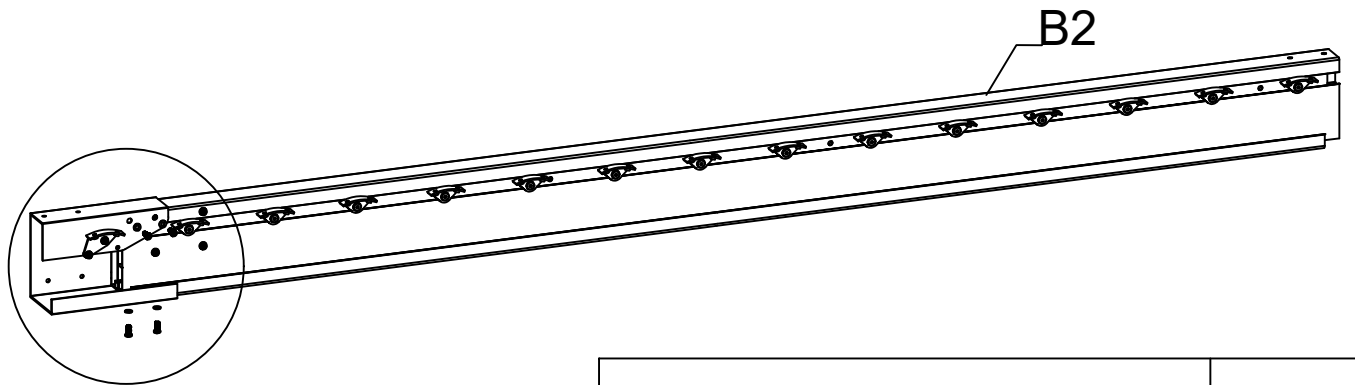
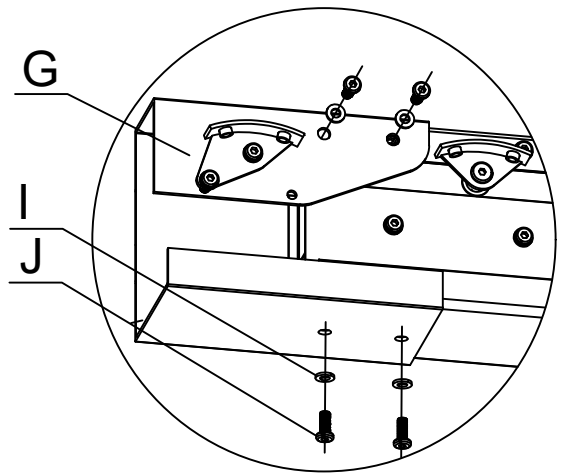
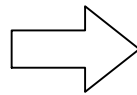
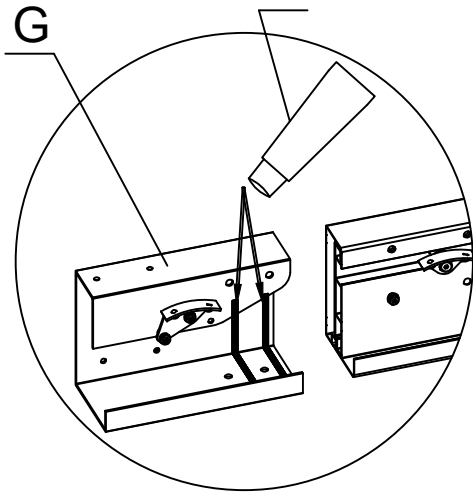
Step4

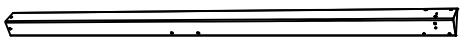

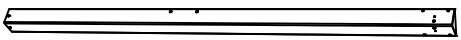





No.	Qty	Picture						
B2	1							
G	1							
J	4		I	4		X	1	

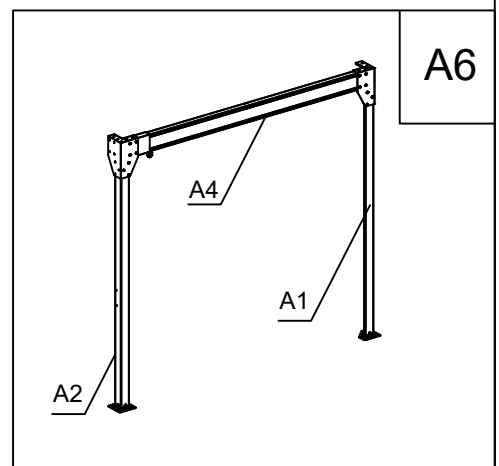
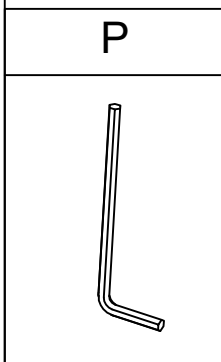
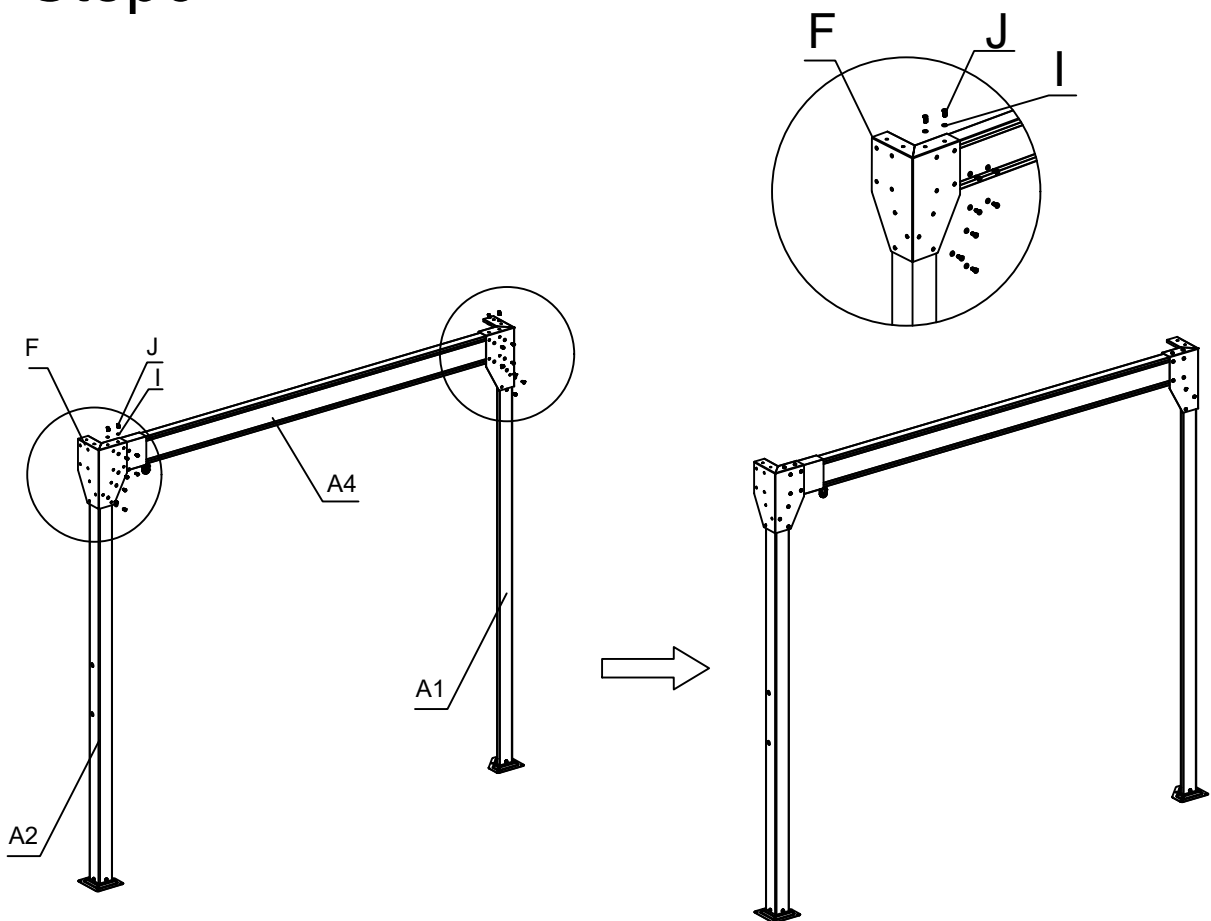
Step5

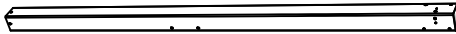

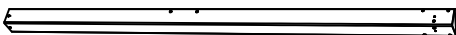


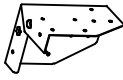
Apply the waterproof X sealant to part G



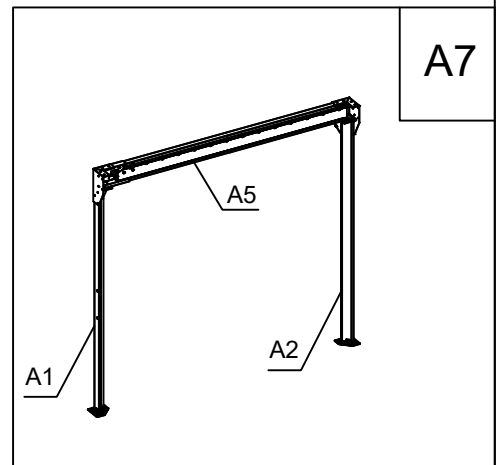
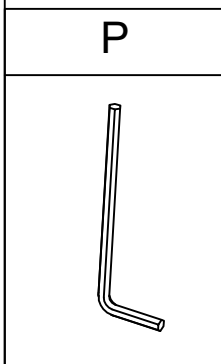
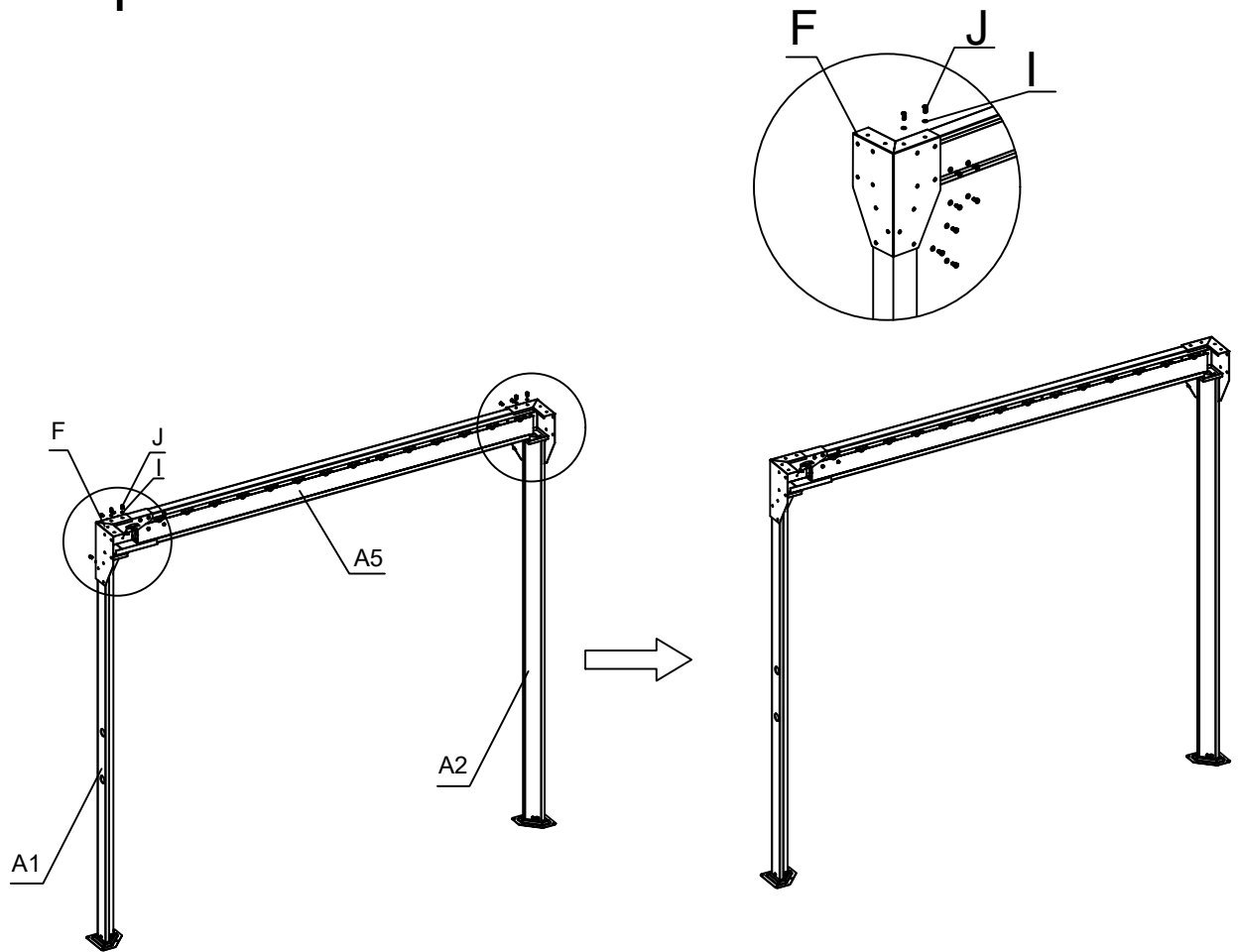
No.	Qty	Picture	No.	Qty	Picture
A1	1		J	18	
A2	1		I	18	
A4	1		F	2	


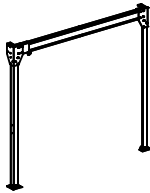


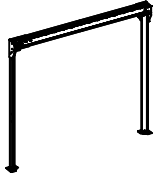
Step6



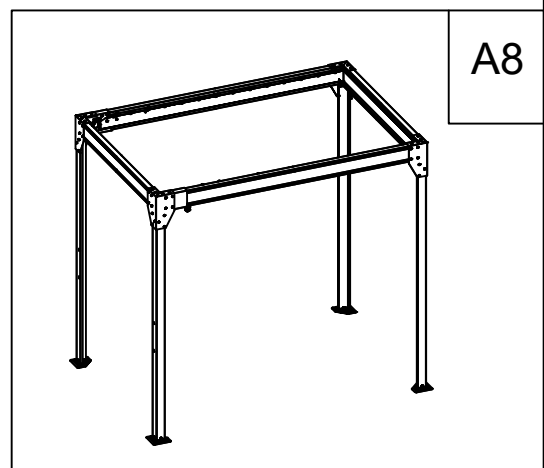
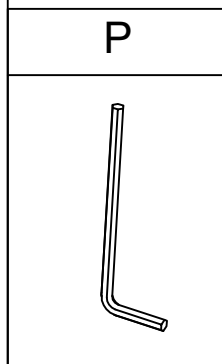
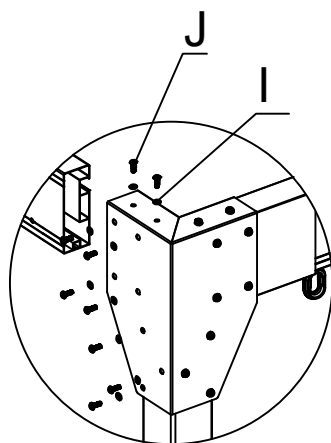
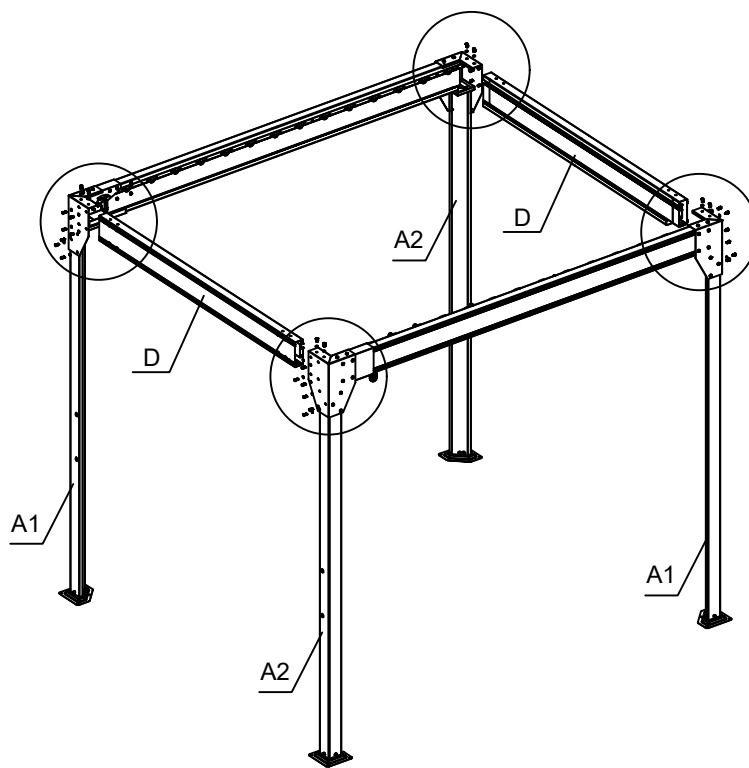
No.	Qty	Picture	No.	Qty	Picture
A1	1		J	18	
A2	1		I	18	
A5	1		F	2	

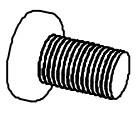
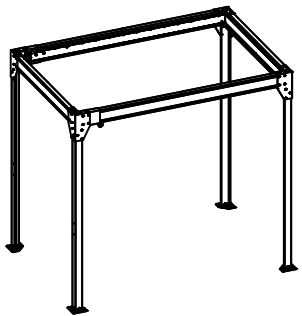

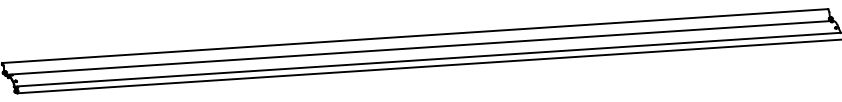
Step7



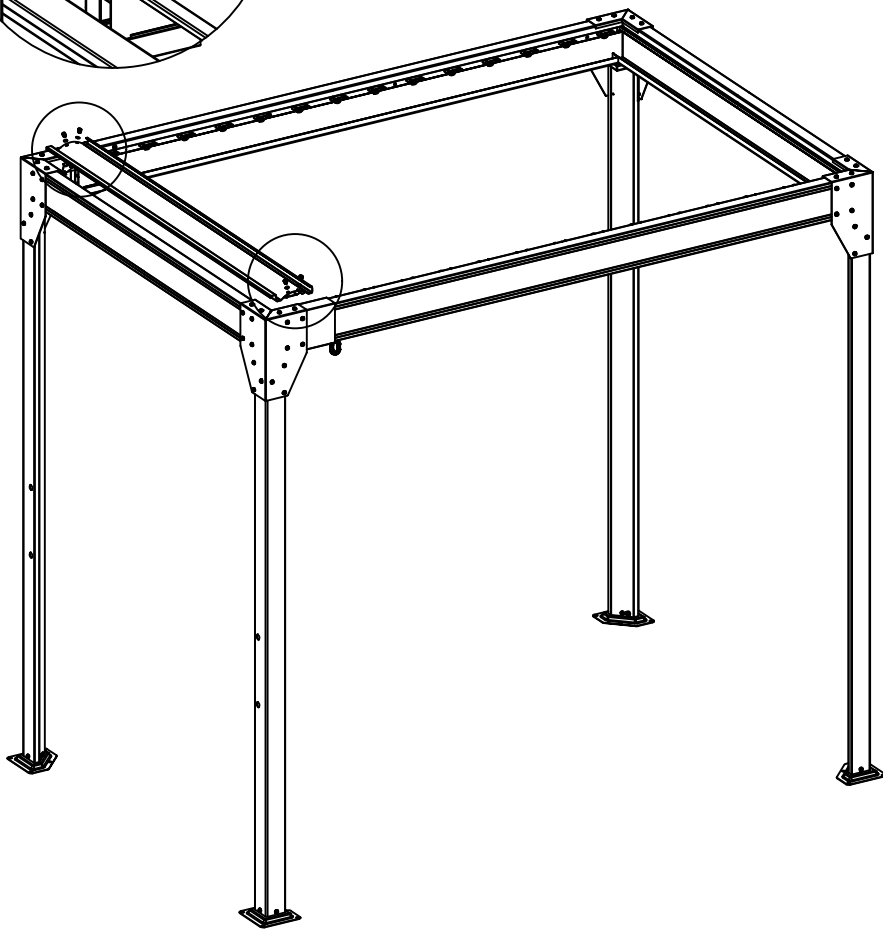
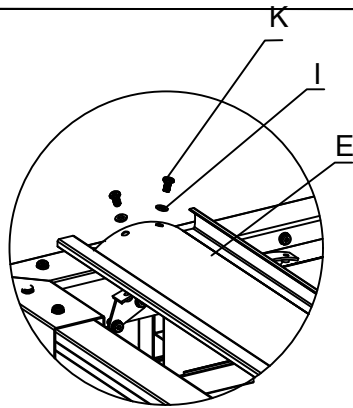
No.	Qty	Picture	No.	Qty	Picture
J	36		A6	1	
I	36				
D	2		A7	1	

Step8



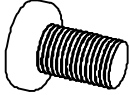
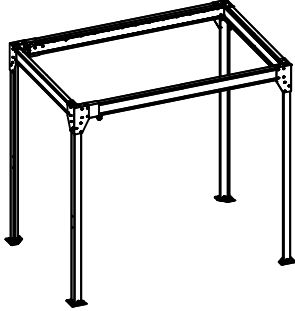

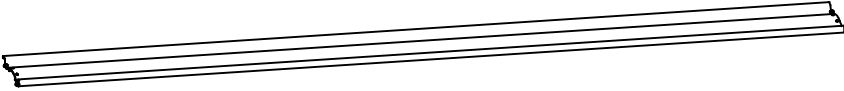
No.	Qty	Picture	No.	Qty	Picture
K	4		A8	1	
I	4				
E	1				

Step9

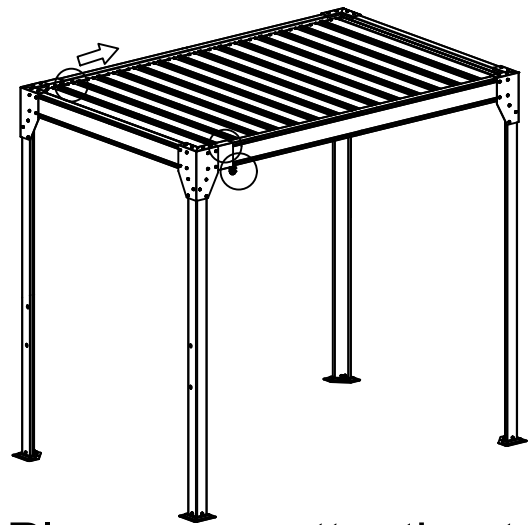
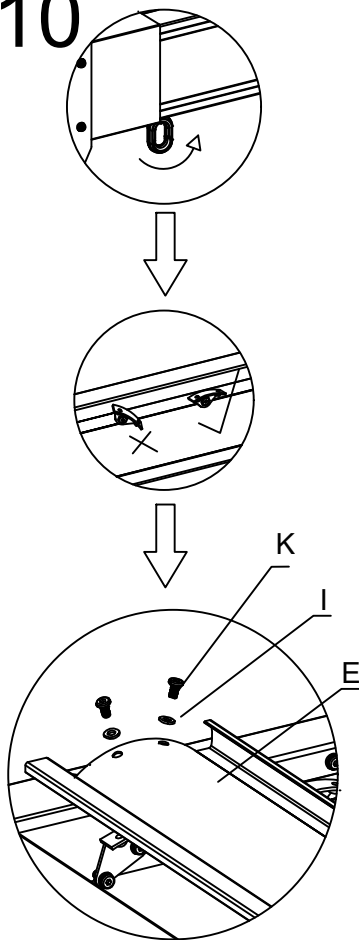


P

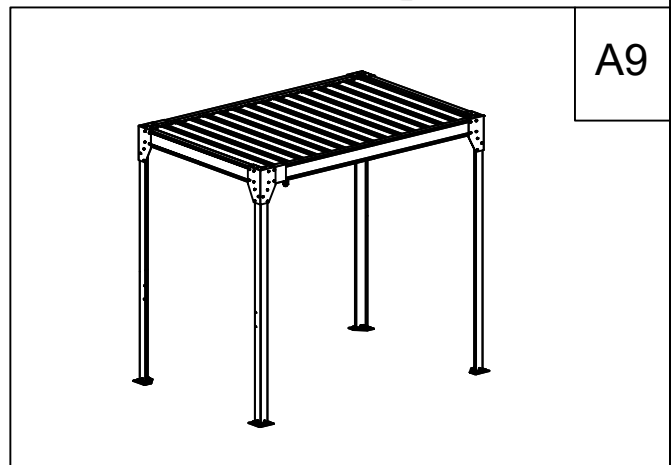
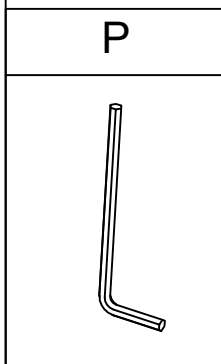
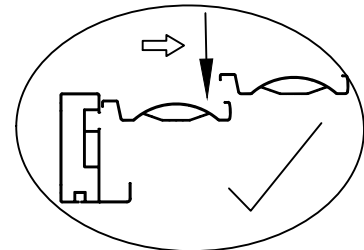


No.	Qty	Picture	No.	Qty	Picture
K	56		A8	1	
I	56				
E	14				

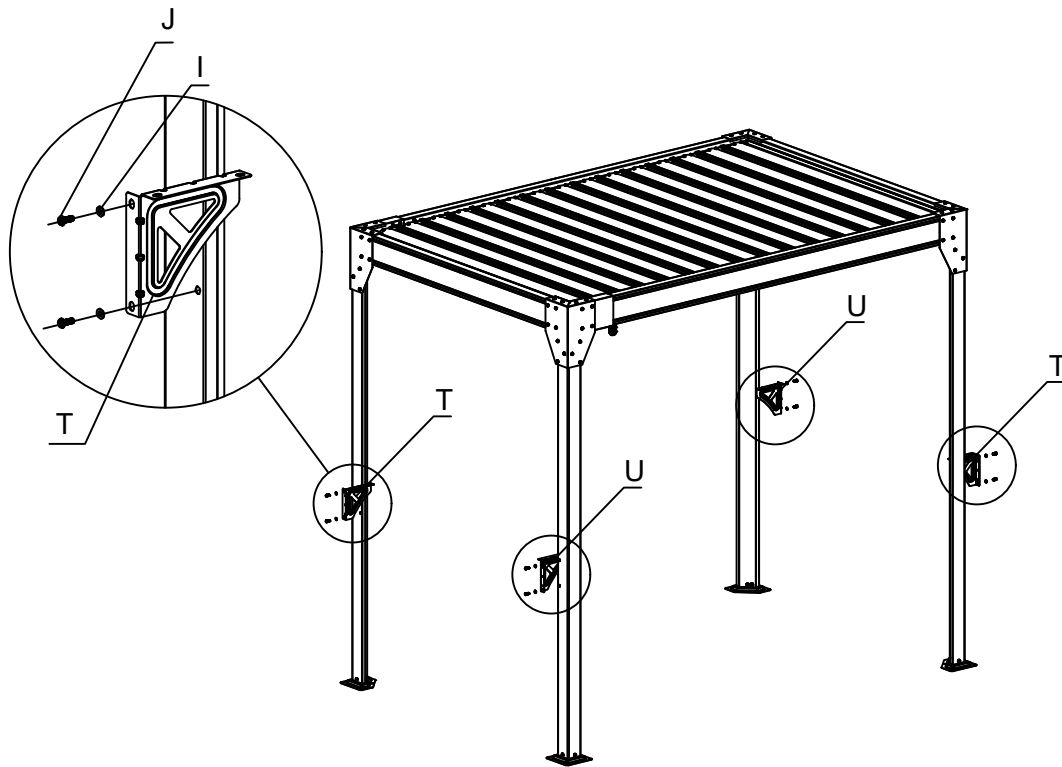
Step 10



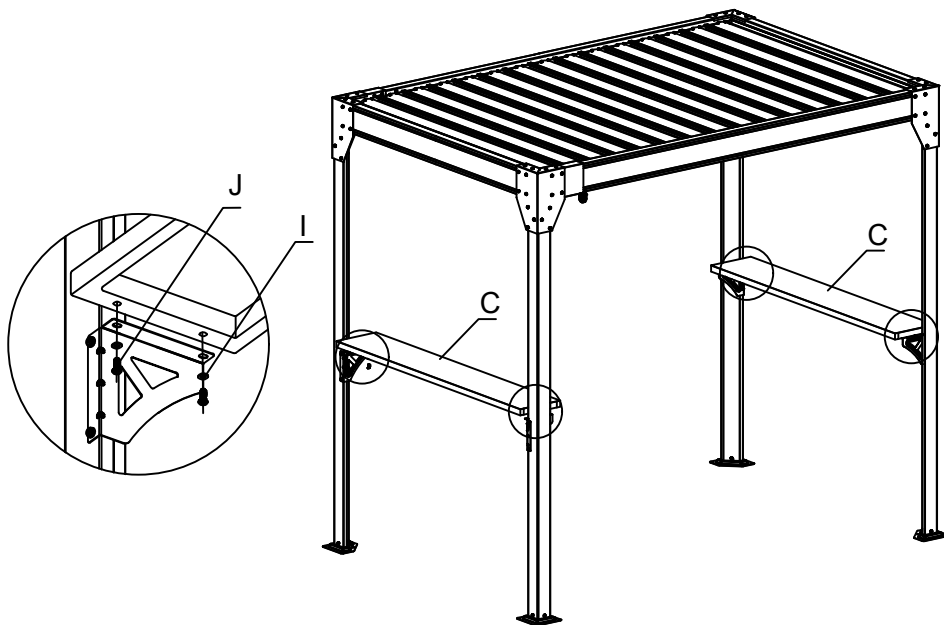
Please pay attention to the direction of the louver slats



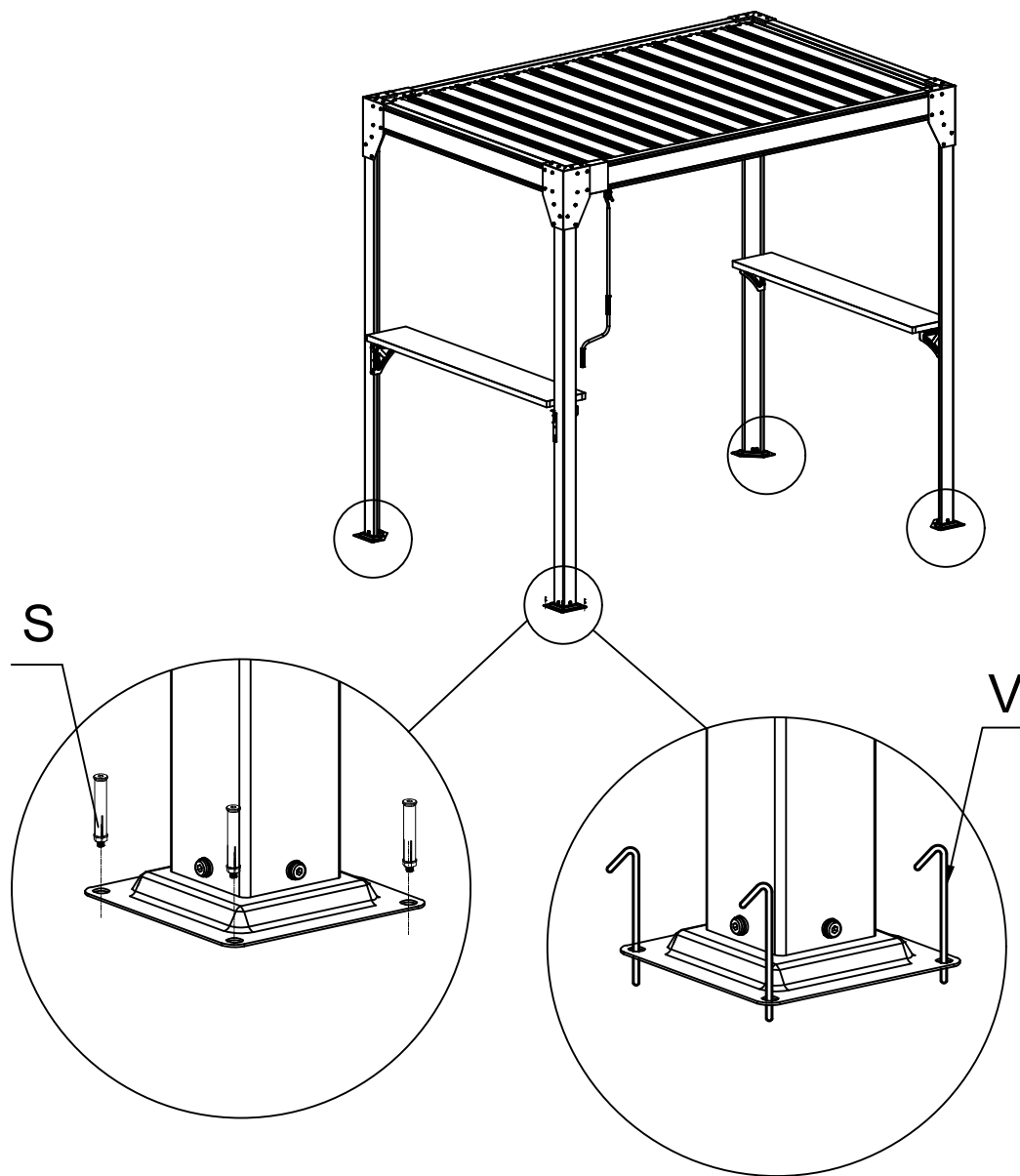
Step 11



Step 12



Step13



Choose the appropriate fixing method based on the ground conditions:

For hard surfaces (e.g., concrete), select "S".

For soft surfaces (e.g., lawns), select "V"