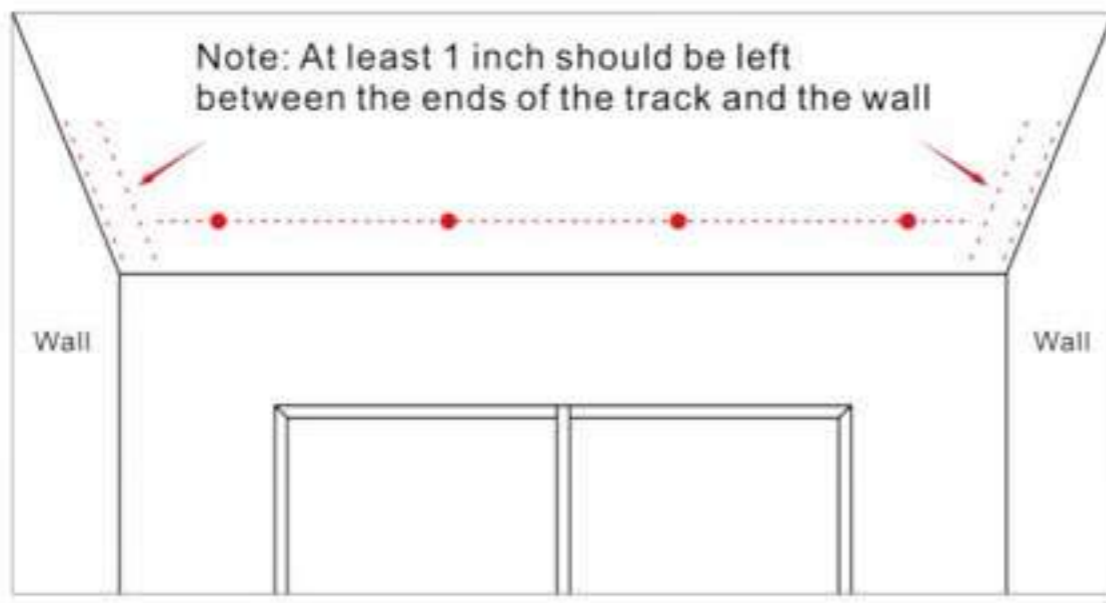


INSTALLATION INSTRUCTIONS

Instructions for Straight Curtain

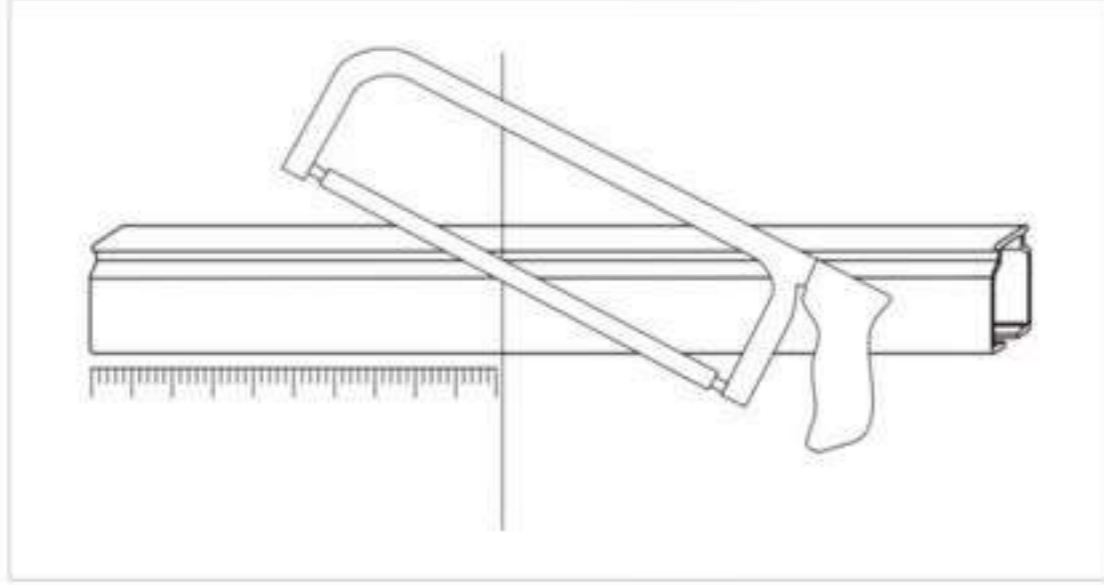
Step1. Measuring

Measure the ceiling or wall to determine the exact length of your track.



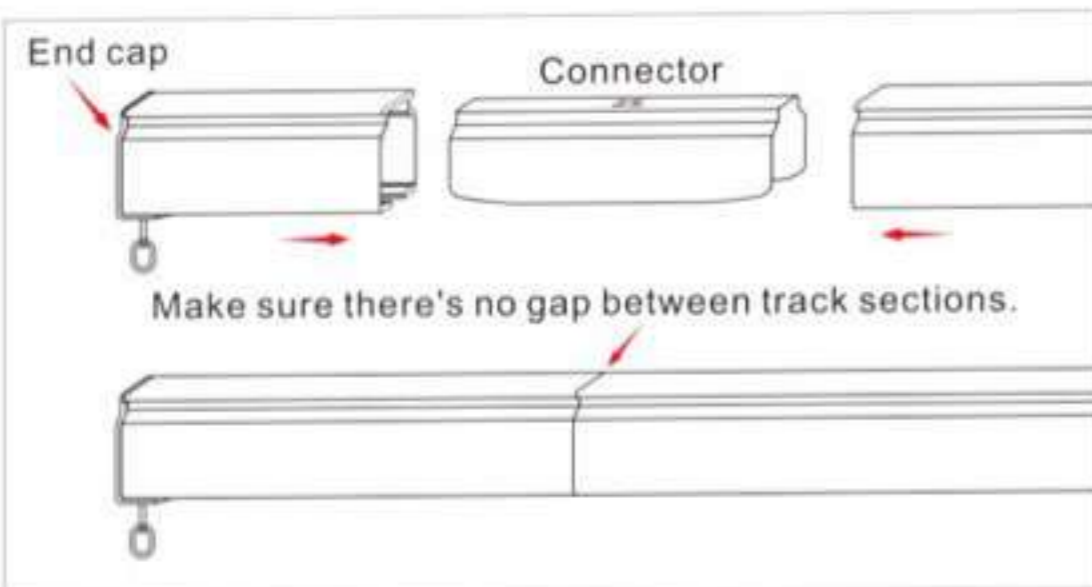
Step2. Cut

Cut the track to the required length with the saw in the package.



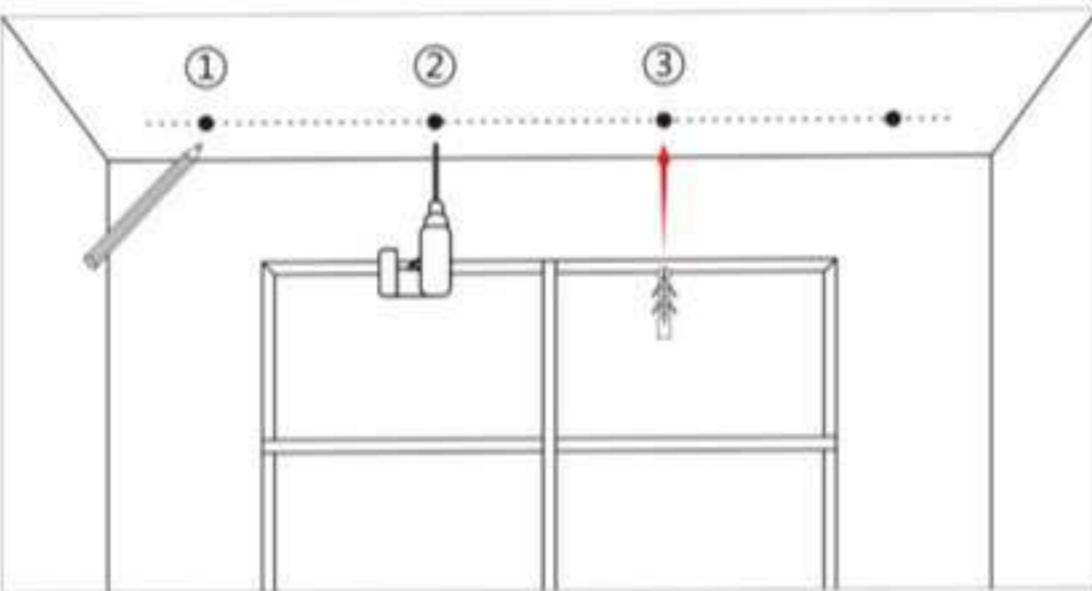
Step3. Splice tracks

3-1. Attach an end cap on the first section of tracks, then splice the tracks with connectors.
3-2. Place the slider into the track and install the end cap on the other end



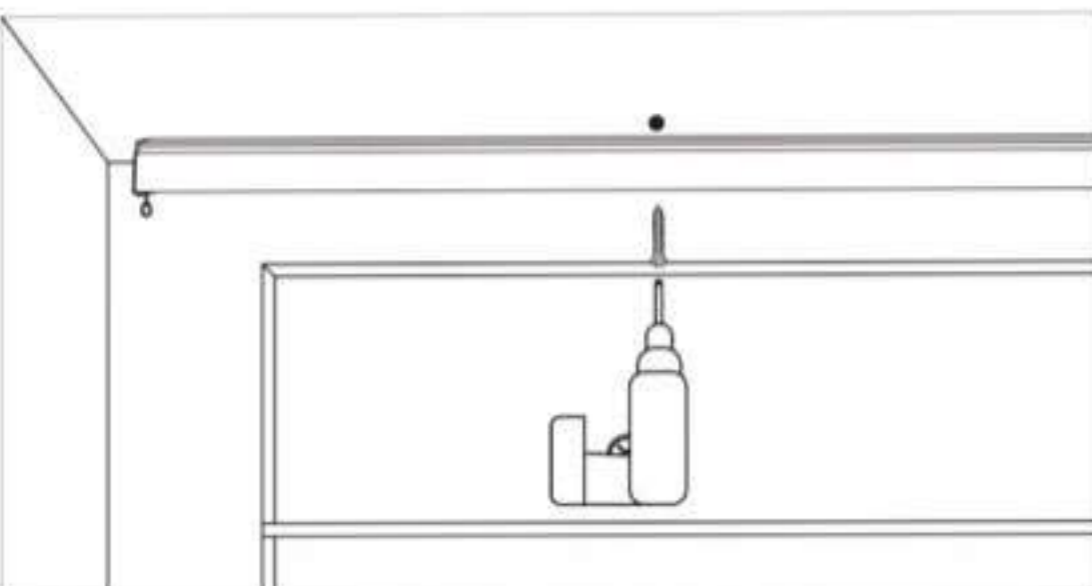
Step4. Drilling

Mark the position of the mounting hole in the track, after drilling, insert the plastic anchors.



Step6. Install the tracks

Install the track to the ceiling with screws



Step7. Hang on curtain(s)

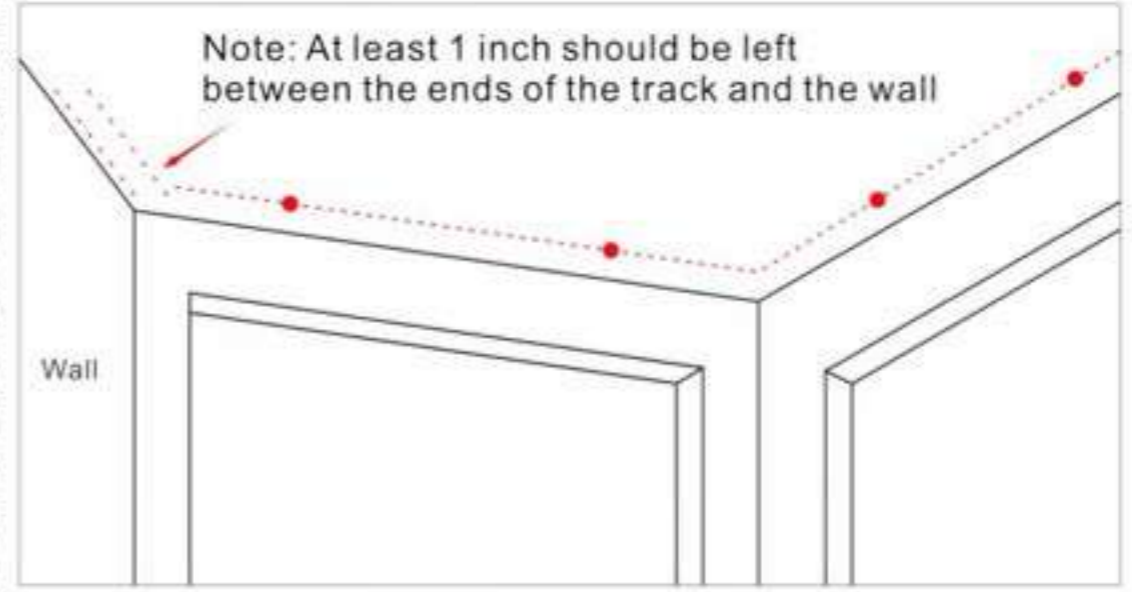
Hang your curtain(s) on the hooks.



Instructions for 90° Cornered Curtain

Step1. Measuring

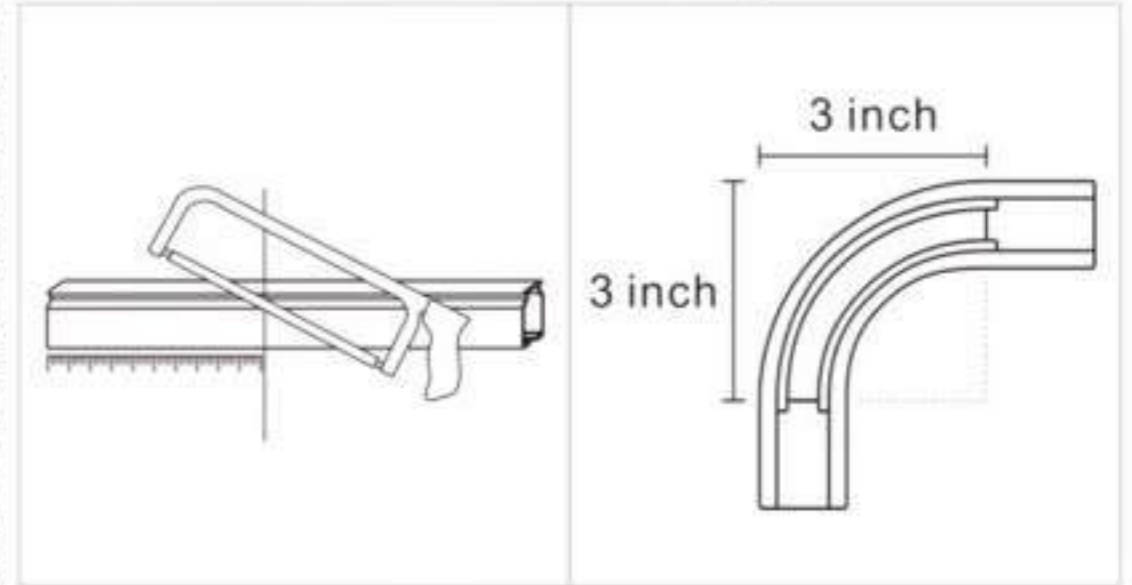
Measure the ceiling or wall to determine the exact length of your track.



Step2. Cut

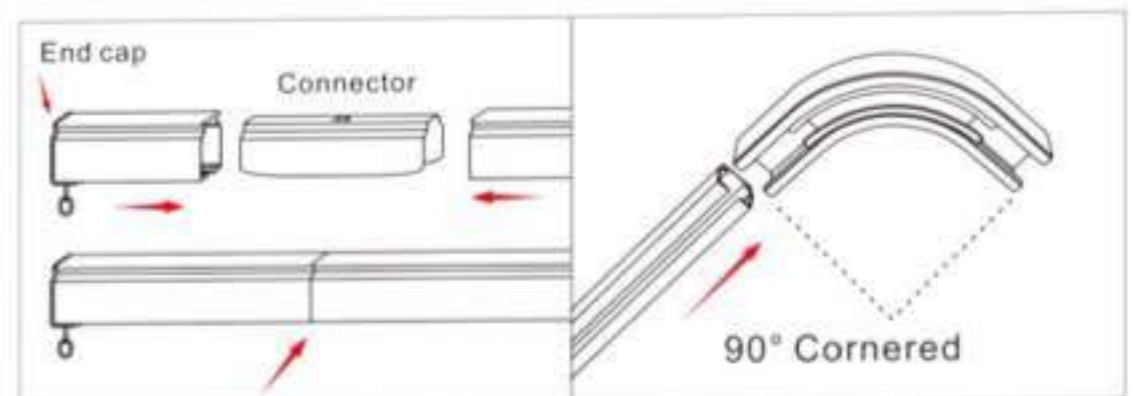
Cut the track to the required length with the saw in the package.

Please ensure to allow for the dimensions of the corner connector when measuring.



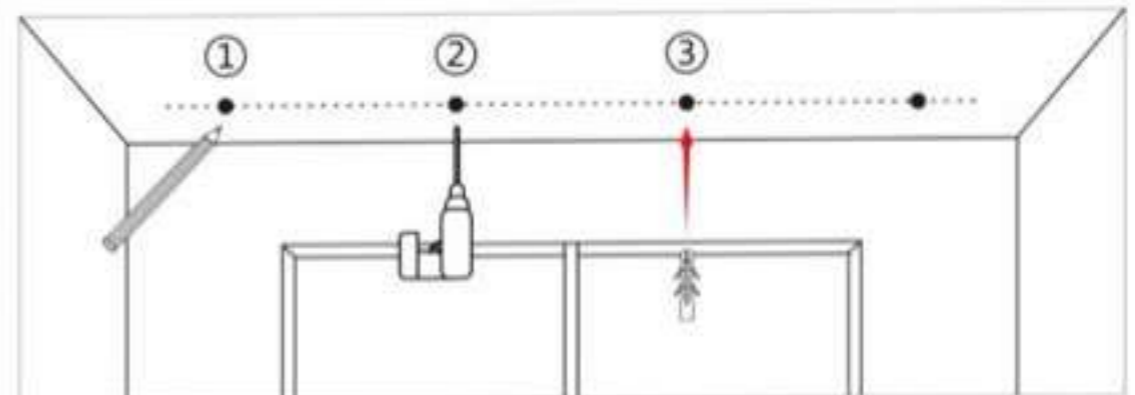
Step3. Splice tracks

3-1. Attach an end cap on the first section of tracks, then splice the tracks with straight connectors.
3-2. Insert one side track into the corner connector until it can't move forward.
3-3. Make sure there's no gap between track sections.



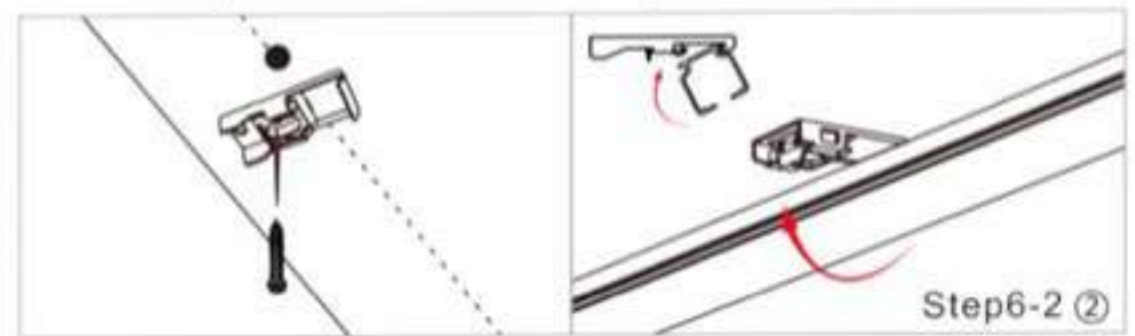
Step4. Drilling

Mark the position of the mounting hole in the track, after drilling, insert the plastic anchors.



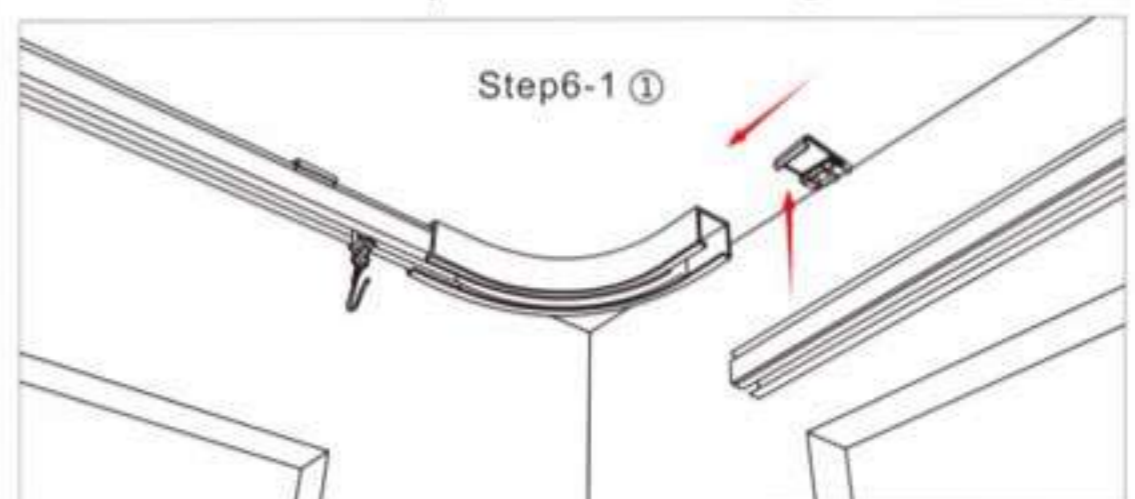
Step5. Install the brackets

Fix the top brackets to ceiling with the screws.



Step6. Install the tracks

6-1. Insert one side of the track with the corner connector into the ceiling brackets ①
6-2. Push the other side of the track into the corner connector and snap it into the ceiling brackets ②



Step7. Hang on curtain(s)

Hang your curtain(s) on the hooks.

