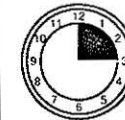
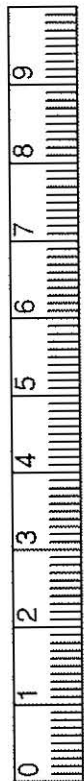


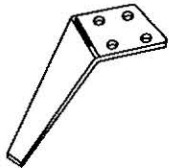
# CHEST OF DRAWERS



15  
Min.



A



4 x

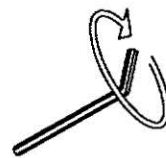
B



6Mx25

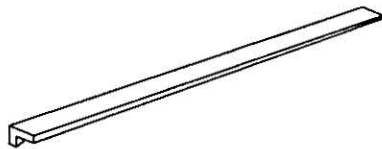
16 x

C



1 x

D



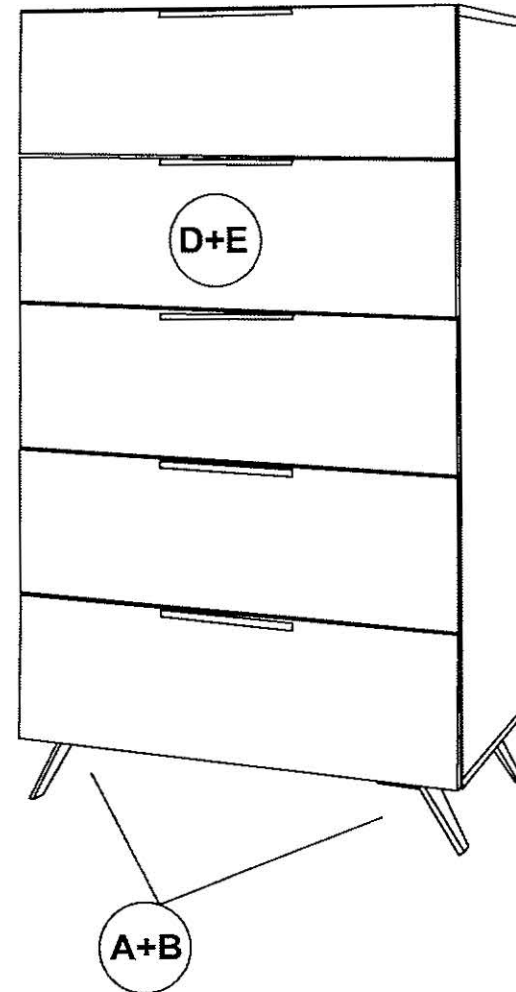
5x

E



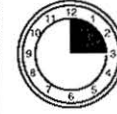
4Mx25

10x

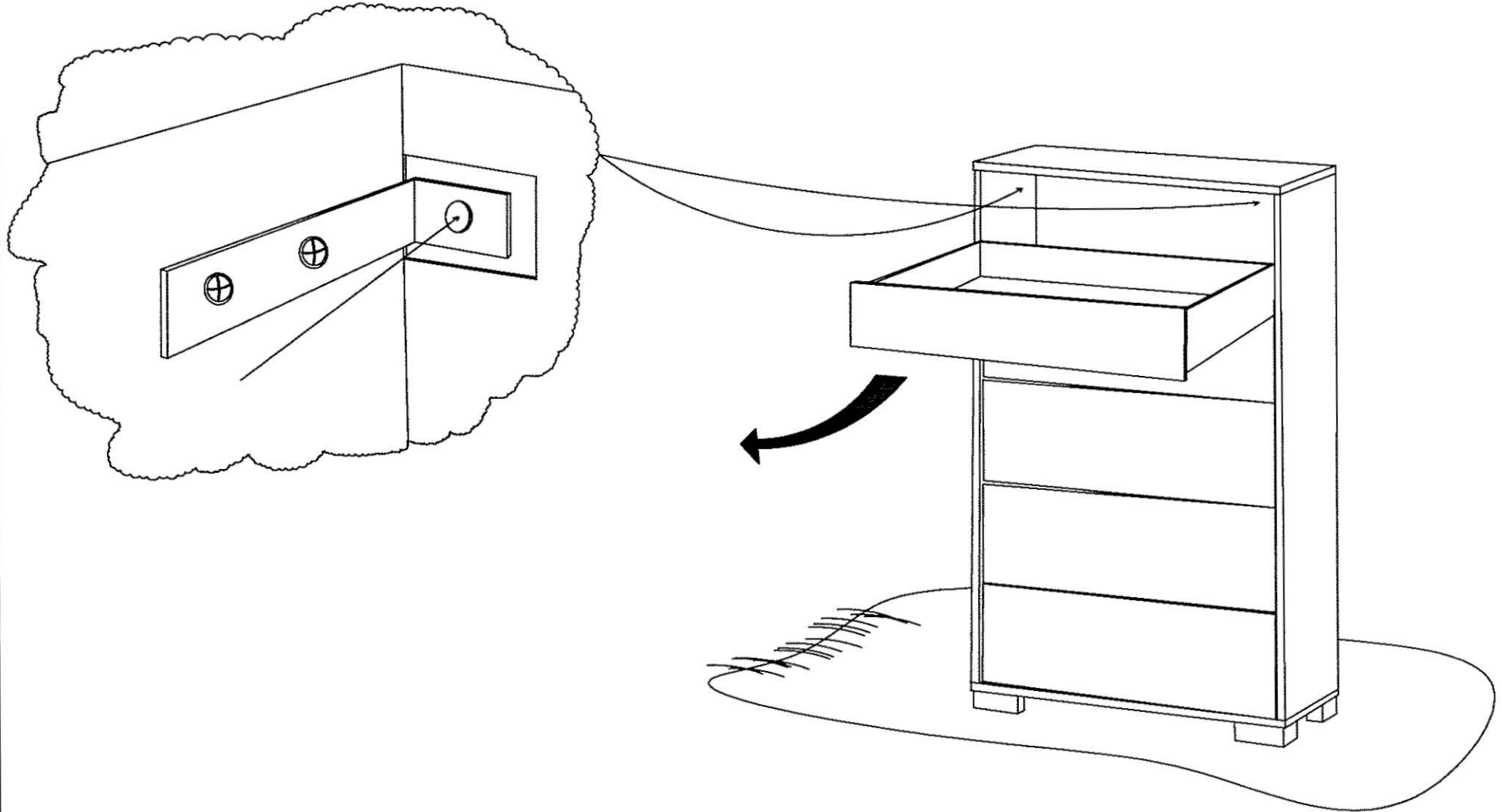


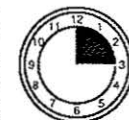
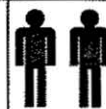
Assembling

# CHEST OF DRAWERS

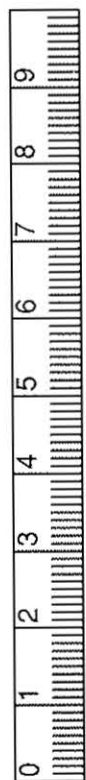


15  
Min.

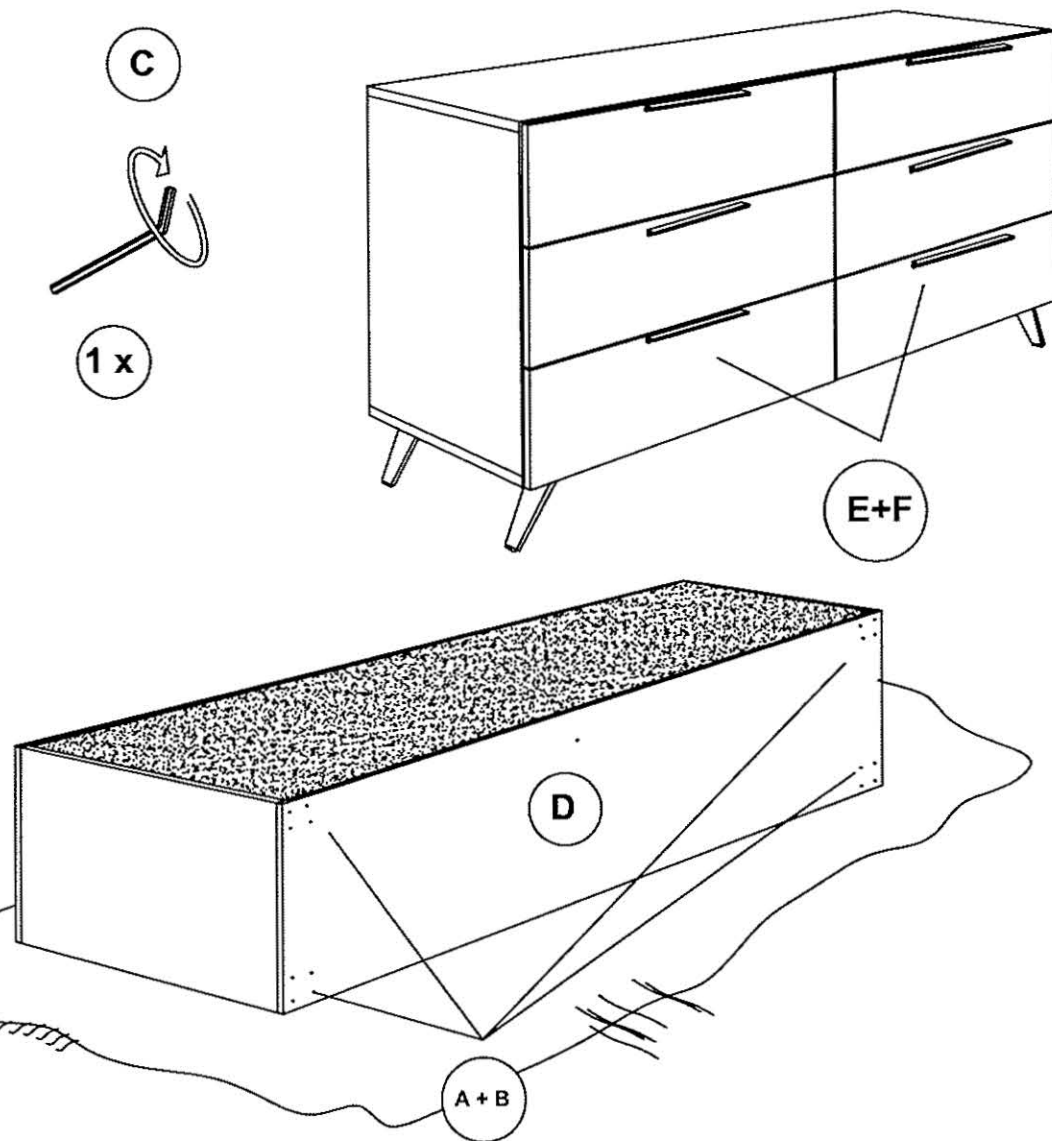




15  
Min.

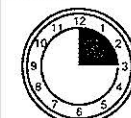


- A**  
  
4 x
- B**  
  
6Mx25  
16 x
- C**  
  
1 x
- D**  
  
1
- E**  
  
5
- F**  
  
4Mx25  
10 x



Assembling

# DRESSER



15  
Min.

A



B



C

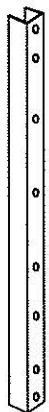


2

4

4

C



mm. 1379 (54,2)

D



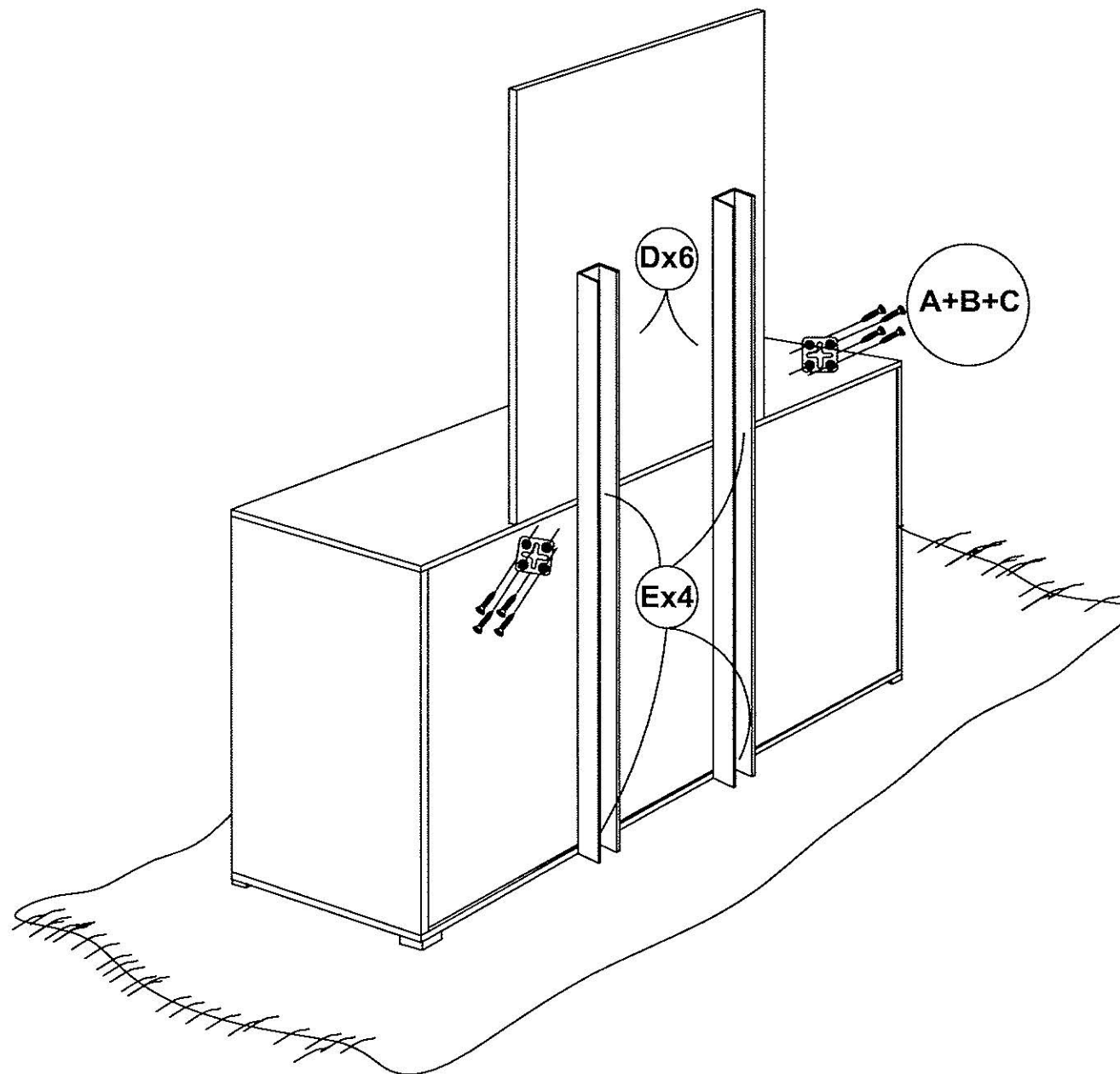
E



6

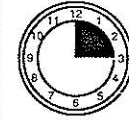
4

2



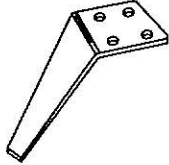
# NIGHT TABLE

Assembling



15  
Min.

A



4 x

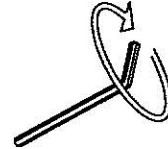
B



6MAX25

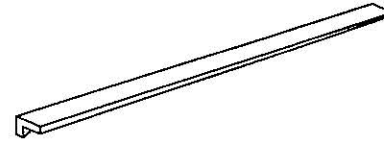
16 x

C



1 x

D



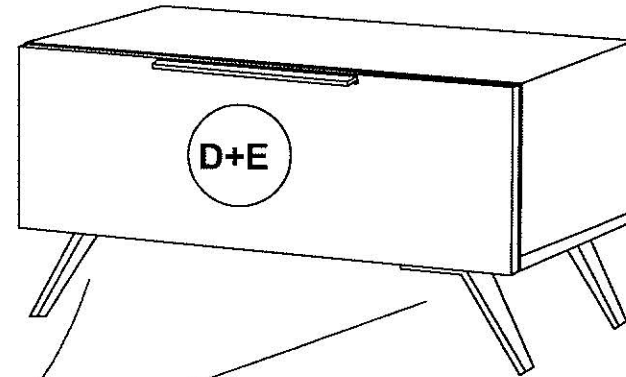
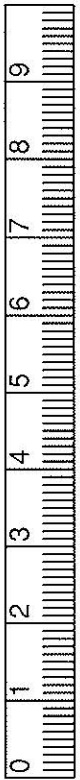
1 x

E



4MAX25

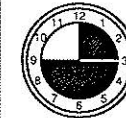
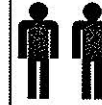
2 x



A+B

Assembling

# BED



45  
Min.

A



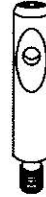
20

B



20

C



8

D



∅ 8x30

14

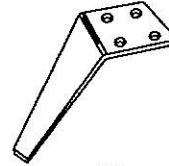
E



6MAx30

8

F



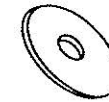
2

G



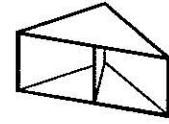
8

H

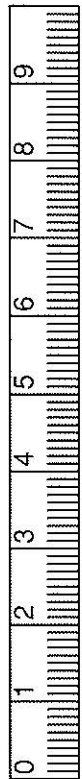


8

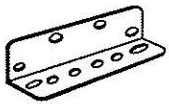
I



2



L



2

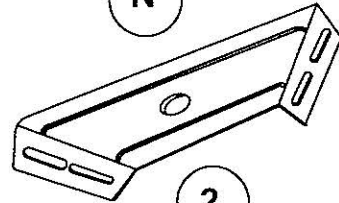
M



6MAx15

28

N



2

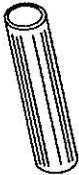
O



8MAx25

8

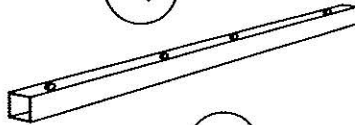
P



h. mm.256

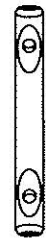
1

Q



2

R



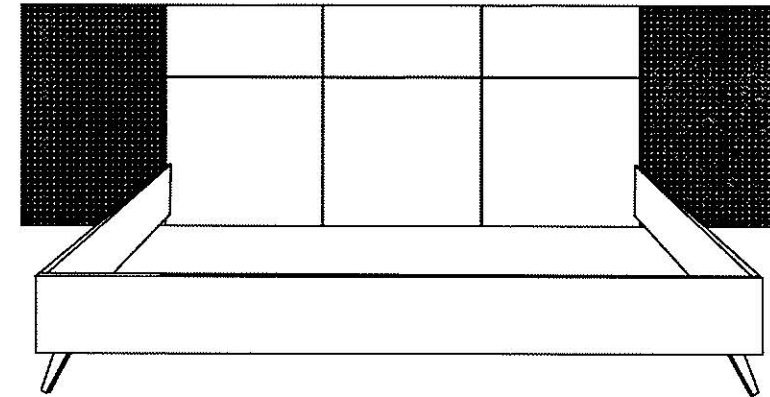
6

S



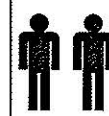
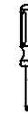
∅ 8x60

16

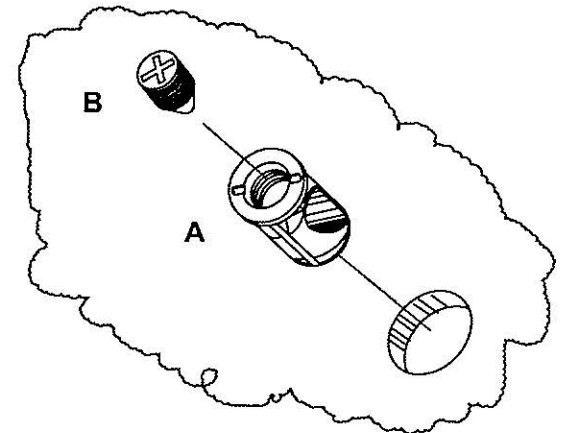
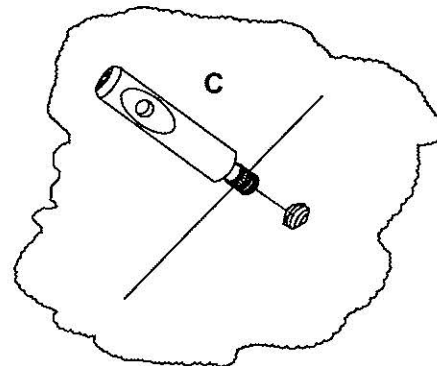
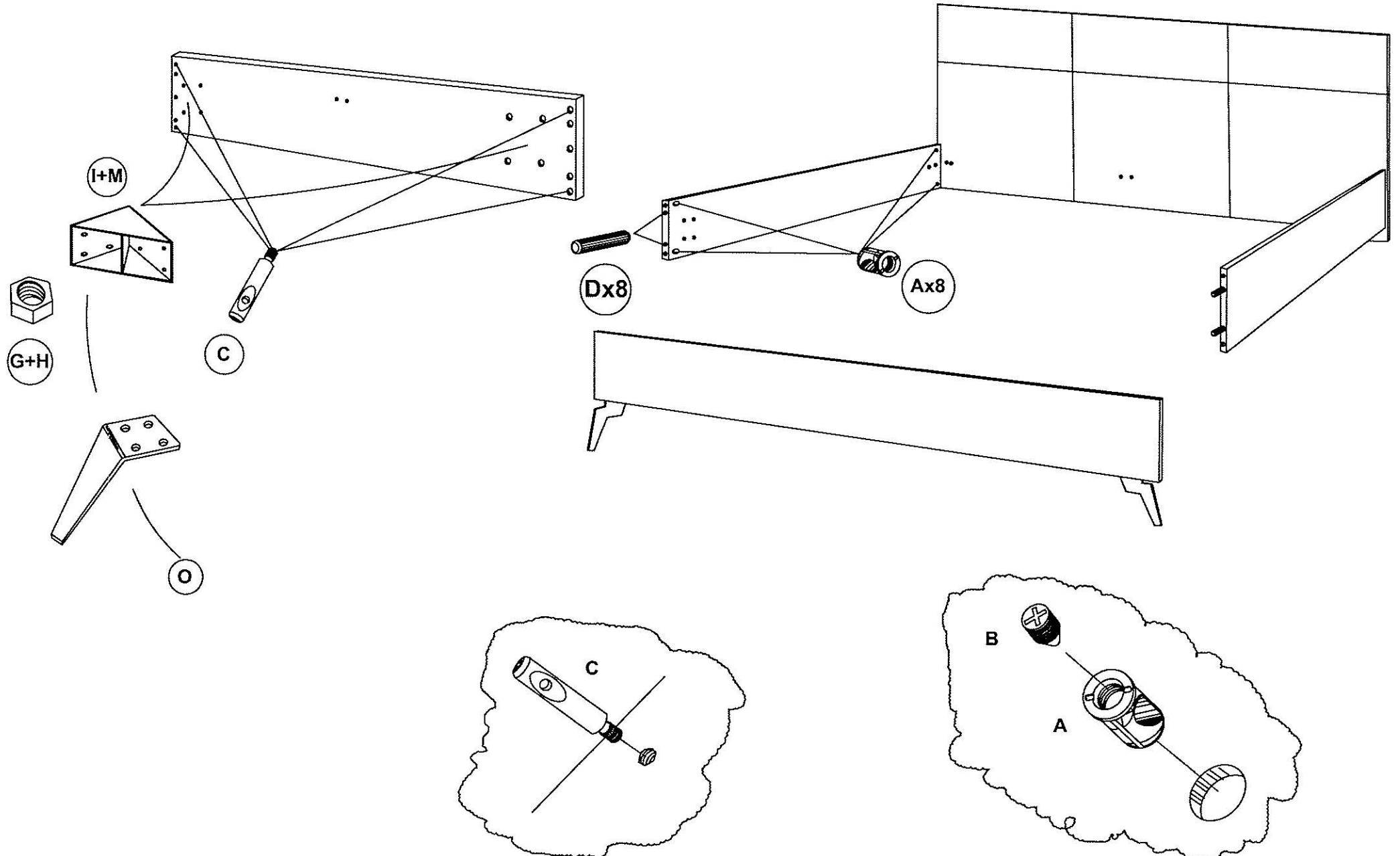


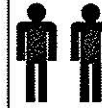
# BED

Assembling

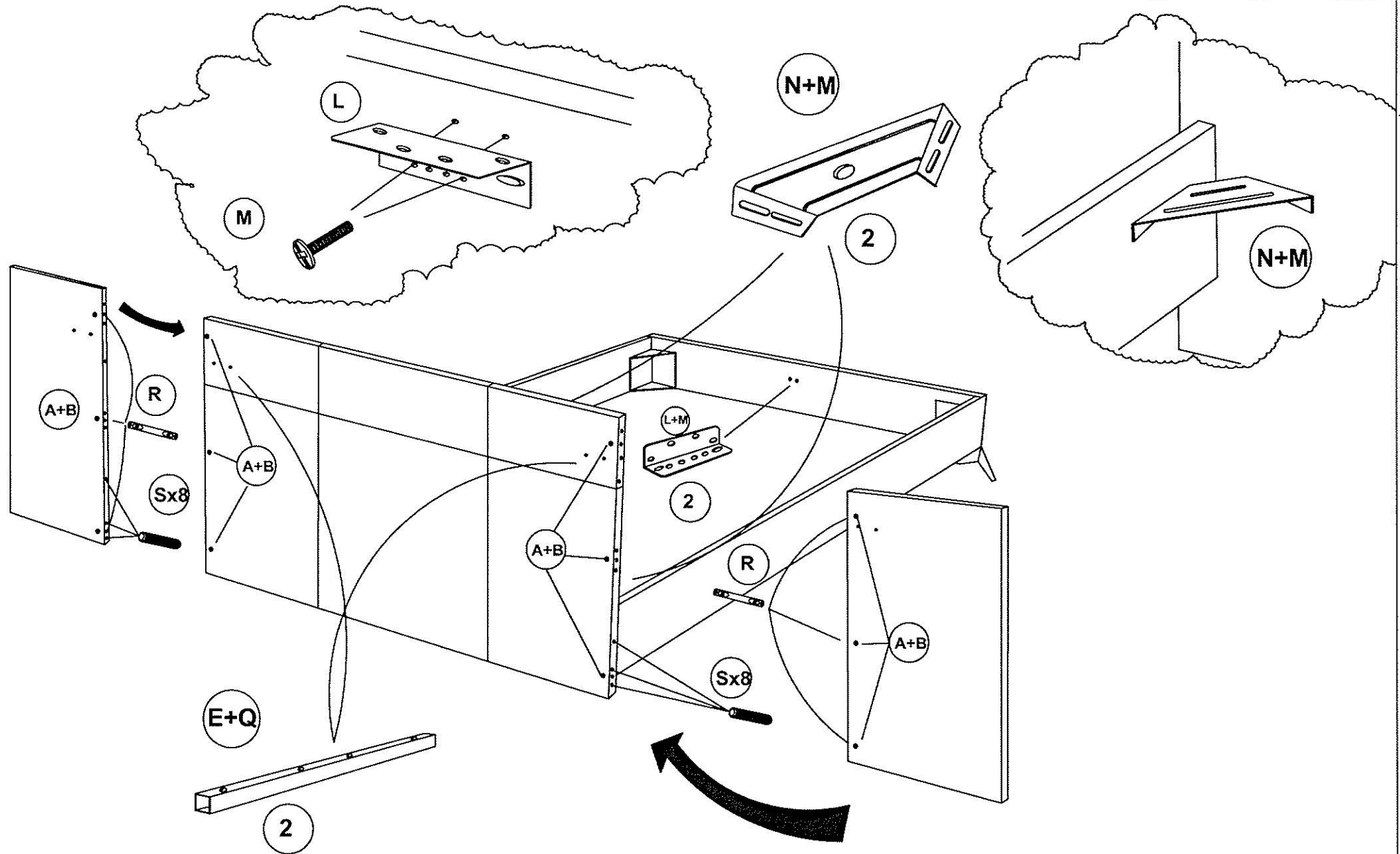


45  
Min.



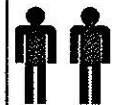


45  
Min.

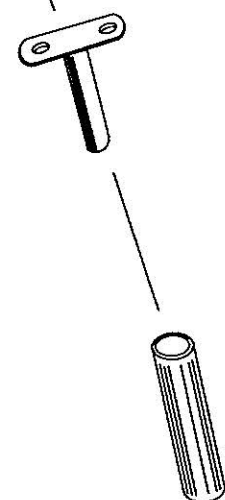
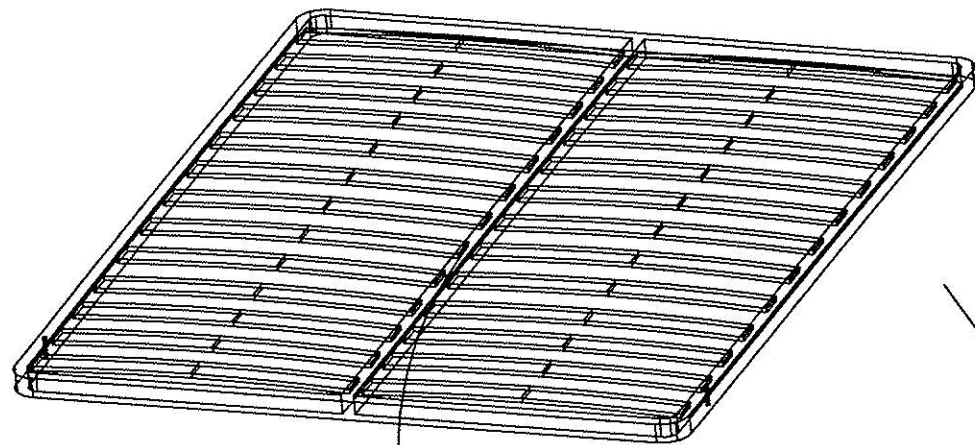


Assembling

# BED



45  
Min.



P

