

# ASSEMBLY INSTRUCTION

## DINING CHAIR

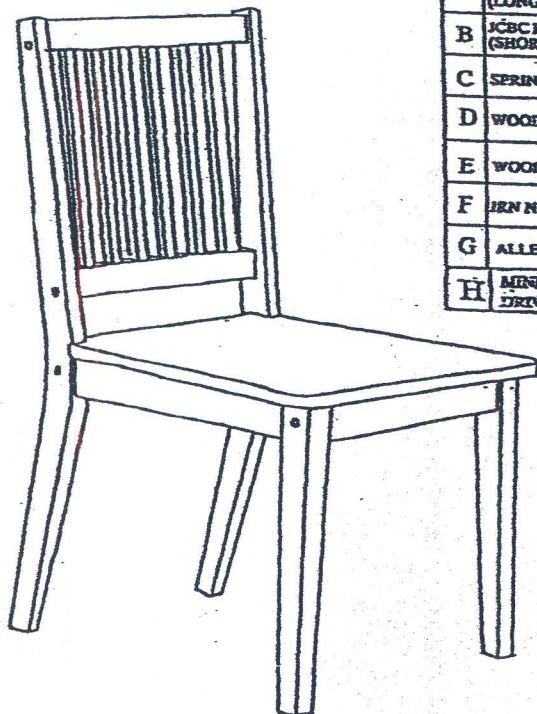
**IMPORTANT NOTE :**

BEFORE YOUR BEGIN, PLEASE READ AND FOLLOW THE ASSEMBLY INSTRUCTIONS CAREFULLY.

1. IDENTIFY AND SEPARATE ALL PARTS BEFORE DISCARDING PACKAGING.
2. PLACE WOODEN PARTS ON A CLEAN SOFT SURFACE TO AVOID SCRATCHING THE PARTS.
3. **DO NOT COMPLETELY TIGHTEN SCREWS UNIT AFTER STEP 7.**
4. **DO NOT USE POWER TOOL FOR ASSEMBLY.**

**IMPORTANT : IF YOU DO NOT ADHERE TO NOTE 3 & 4, IT WILL RESULT IN DAMAGES TO THE PRODUCTS.**

5. AS WITH ALL FURNITURE, OCCASIONALLY CHECK TO INSURE HARDWARE IS TIGHT.



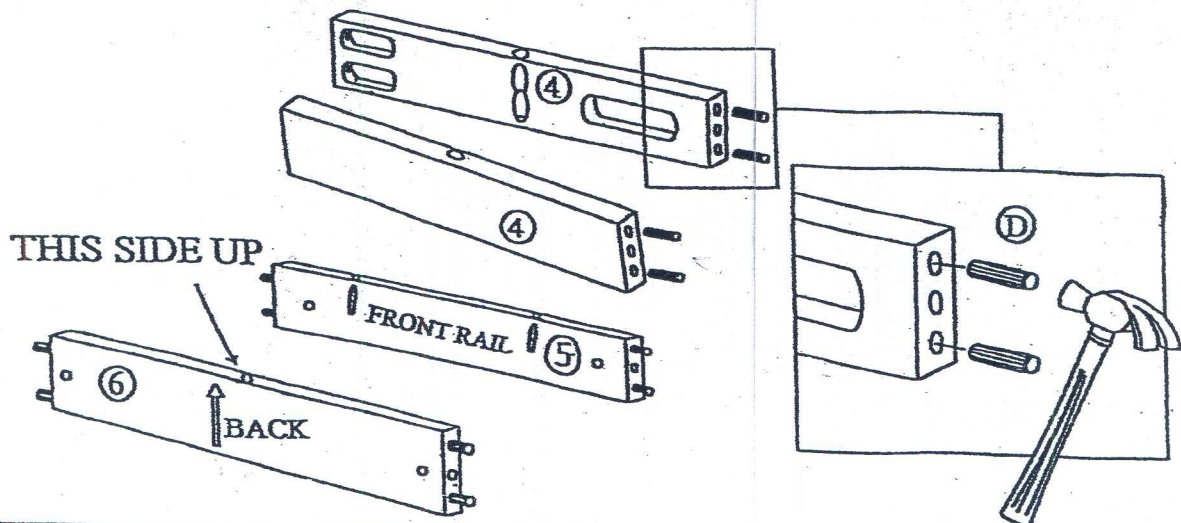
HARDWARE LIST (FOR ONE CHAIR)		
NO	DESCRIPTION	QTY
A	JCBC BOLT (LONG)	2 PCS
B	JCBC BOLT (SHORT)	12 PCS
C	SPRING WASHER	6 PCS
D	WOOD DOWEL	12 PCS
E	WOOD SCREW	4 PCS
F	IRN NUT	8 PCS
G	ALLEN KEY	1 PC
H	MINI SCREW DRIVER BIT	1 PC

PART LIST (FOR ONE CHAIR)		
NO	DESCRIPTION	QTY
1	CHAIR BACK	1 PC
2	LEFT & RIGHT BACK LEG	2 PCS
3	LEFT & RIGHT FRONT LEG	2 PCS
4	SIDE RAIL	2 PCS
5	FRONT RAIL	1 PC
6	BACK RAIL	1 PC
7	SEAT	1 PC

TOOLS REQUIRED (NOT PROVIDED):	

**DO NOT USE POWER TOOLS FOR ASSEMBLY**

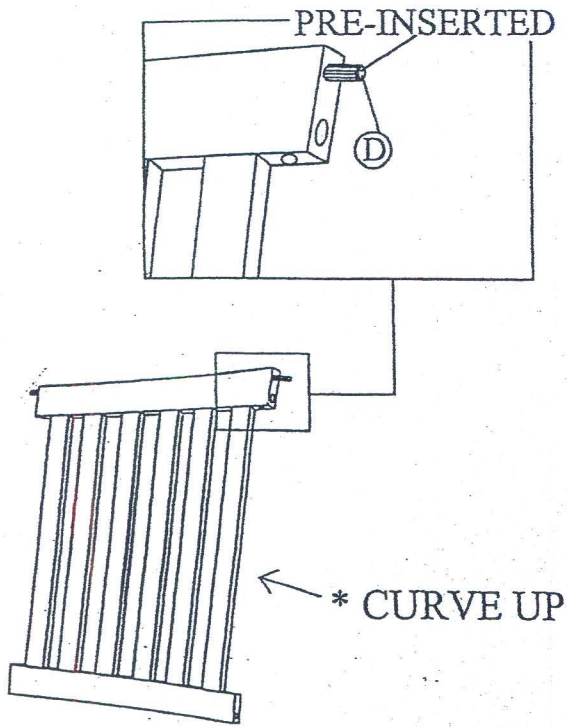
Step 1



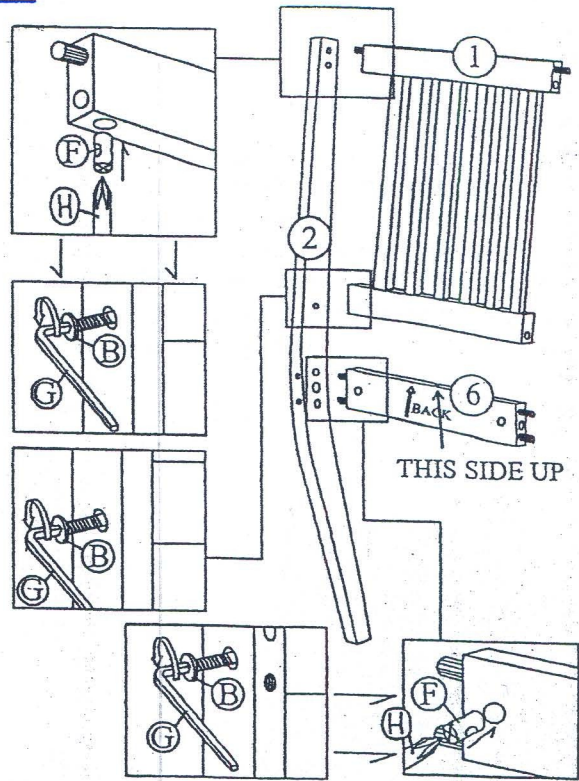
# ASSEMBLY INSTRUCTION

## DINING CHAIR

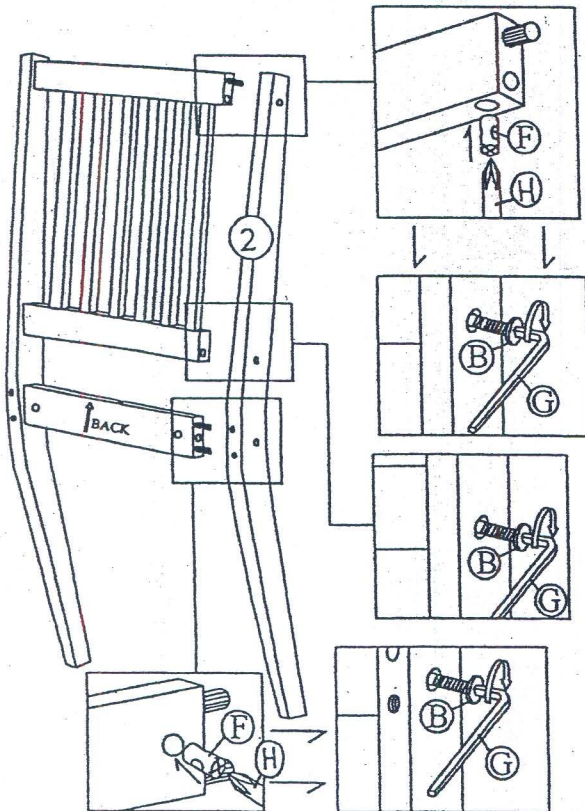
### STEP 2



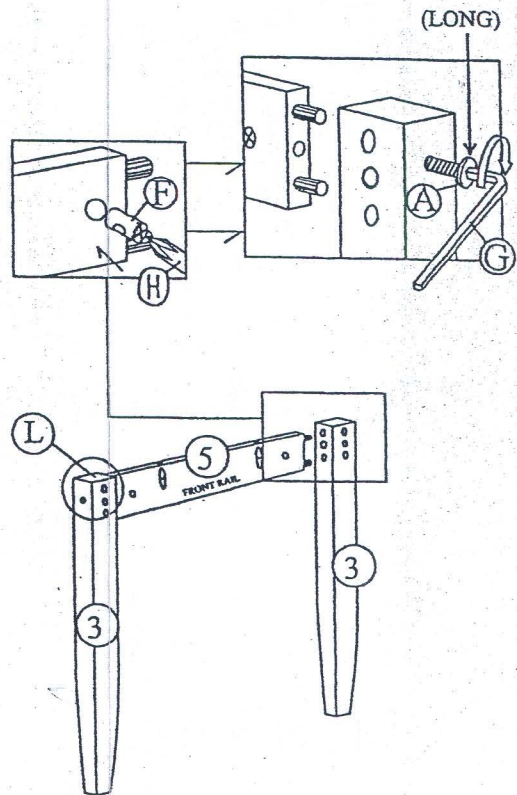
### STEP 3



### STEP 4



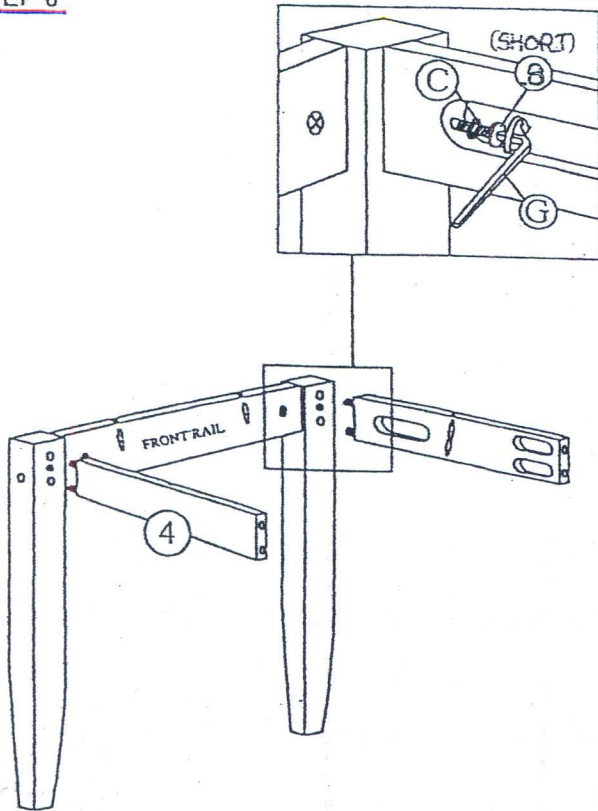
### STEP 5



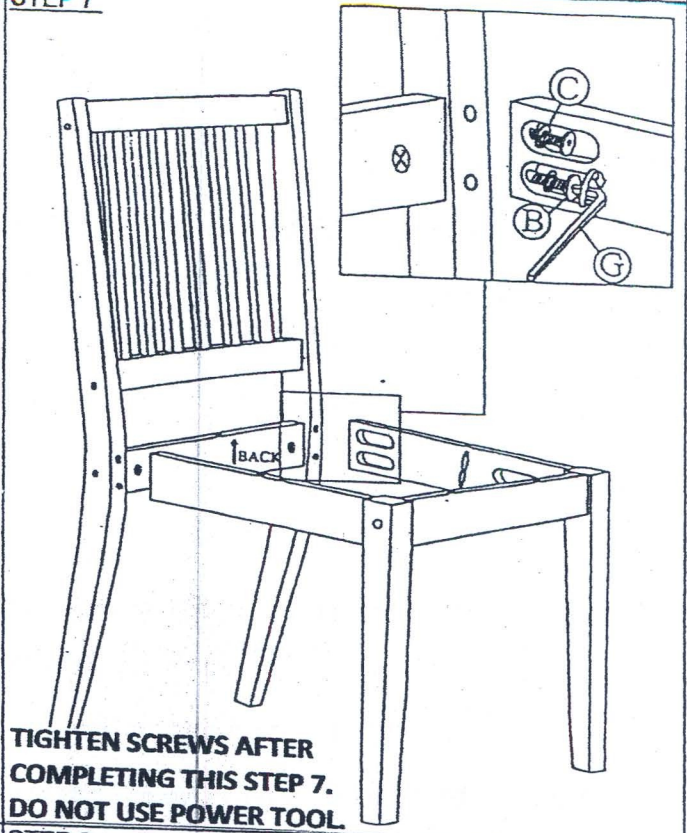
# ASSEMBLY INSTRUCTION

## DINING CHAIR

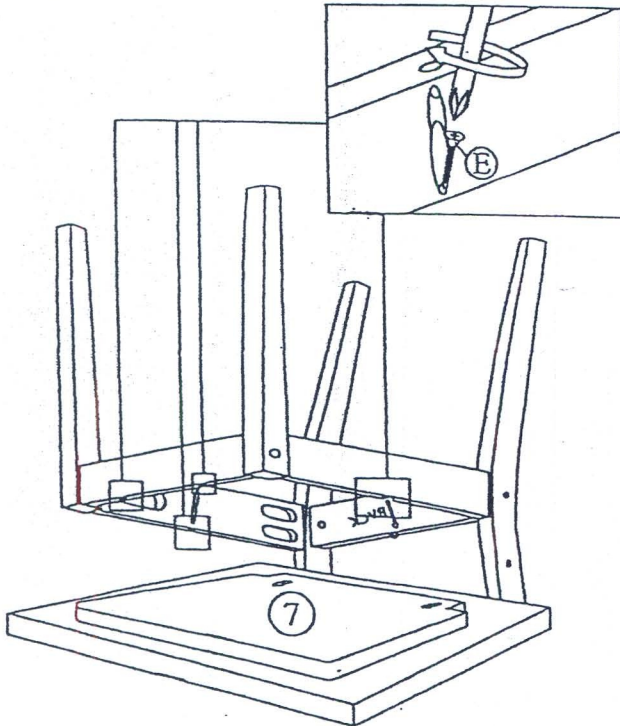
STEP 6



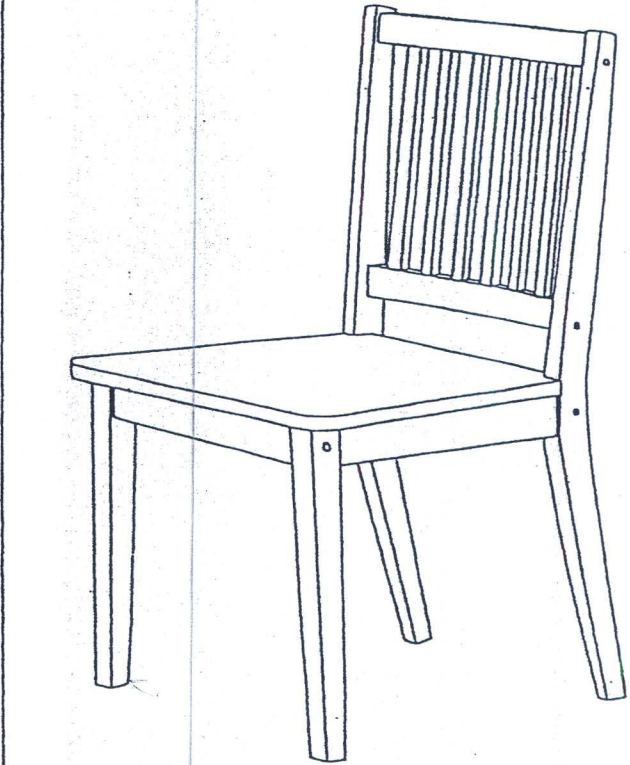
STEP 7



STEP 8



STEP 9



**FULLY SET UP**