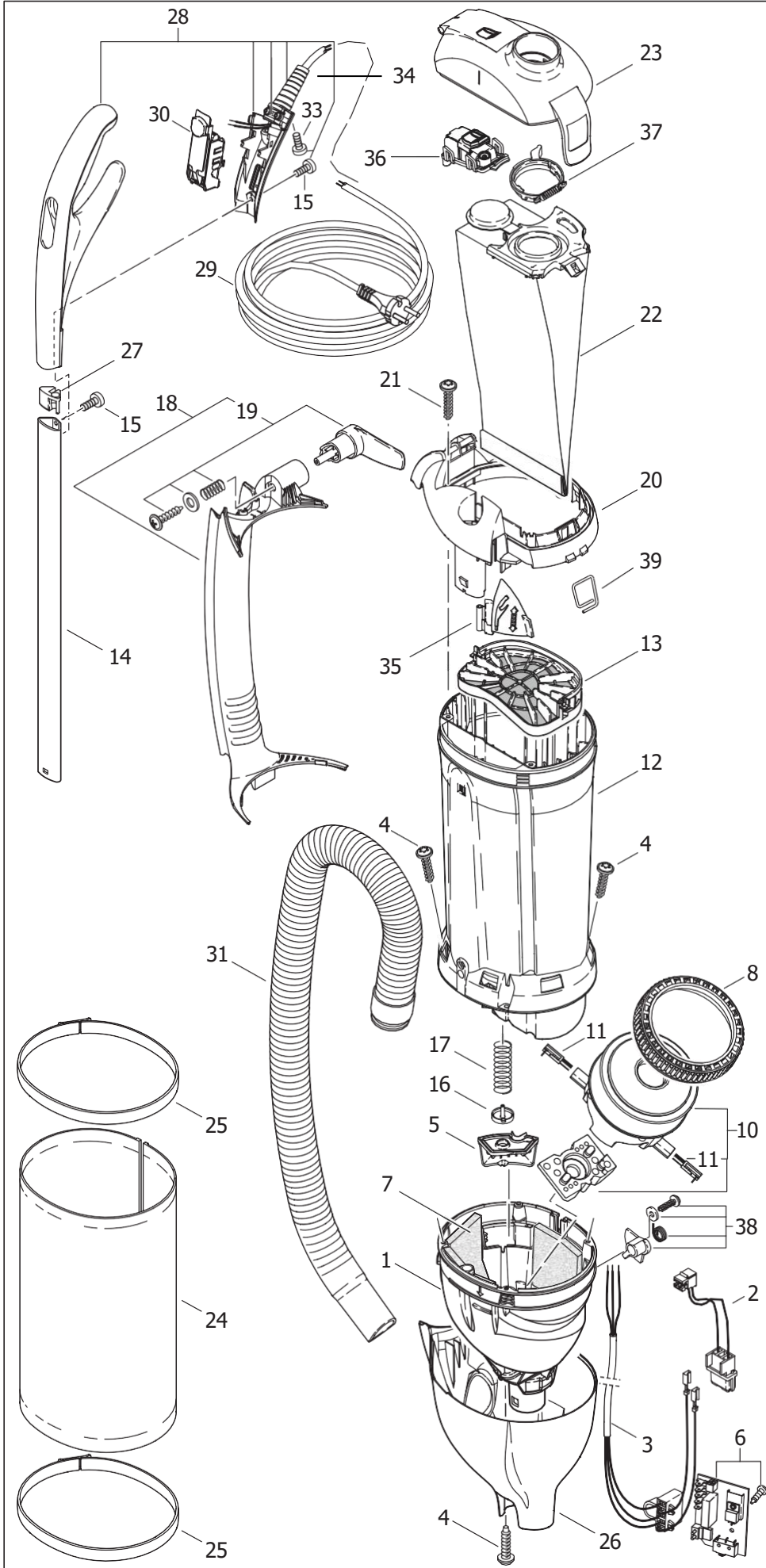


This information intended only for Europe  
(230V / 240V)  
and does not apply to North America !

# Parts Diagram



## SEBO Felix Vogue



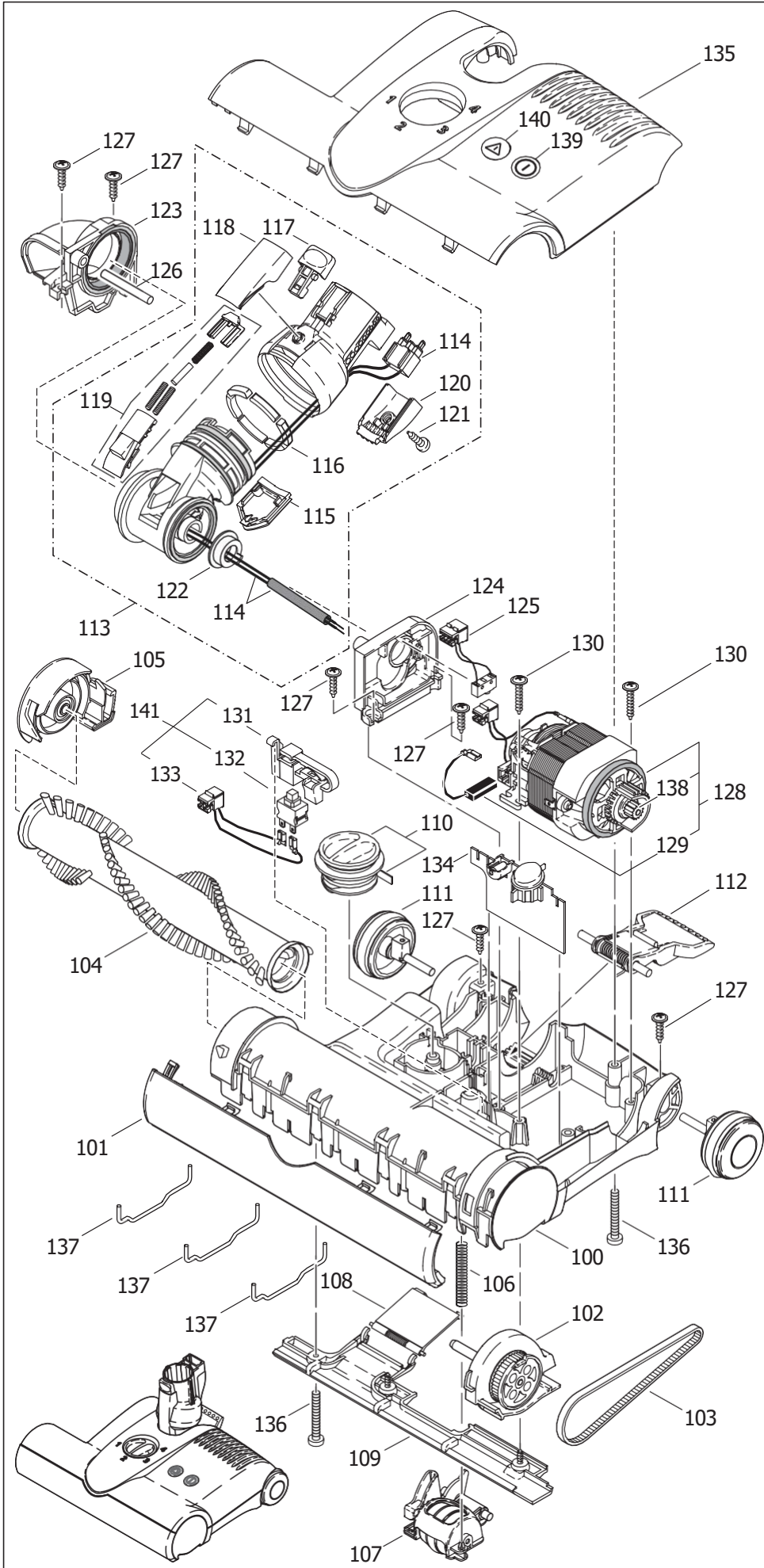
Pos.	Art.-Nr.	Description
1	<b>7078GS</b>	Air duct
2	<b>7064</b>	Internal wiring ET
3	<b>7071</b>	Internal cable
4	<b>01016</b>	Screw STS 4x16-T20
5	<b>7056DG</b>	Valve cover
6	<b>7107ER</b>	Printed circuit board, 230-240V
7	<b>7098</b>	Sound insulation
8	<b>1047</b>	VAC motor seal
10	<b>7043ER</b>	VAC motor, 230-240V
11	<b>05143S</b>	Pair of carbon brushes
12	<b>7143ER</b>	Dust bag housing
13	<b>7012ER</b>	Motor filter
14	<b>7081ER</b>	Handle tube
15	<b>0127</b>	Screw M 4x10K
16	<b>7025</b>	Valve disc
17	<b>7028</b>	Valve spring
18	<b>7090WE</b>	Hose duct
19	<b>7027WE</b>	Cable hook
20	<b>7093WE</b>	Cover, Dust bag housing
21	<b>01017</b>	Screw STS 4x20-T20
22	<b>7029ER</b>	Vacuum bag (Box of 8)
23	<b>7091ER</b>	Filter cover
24	<b>7095ER11</b>	Exhaust filter (Vogue)
25	<b>7017HG</b>	Exhaust filter clamp
26	<b>7159WESE</b>	Lower housing
27	<b>7145GS</b>	Tube plug
28	<b>7164WE</b>	Handle grip, cpl.
29	<b>1104DG</b>	Cable with UK-plug
30	<b>7038WE</b>	Switch assembly cpl.
31	<b>7050SB</b>	Hose duct, cpl.
33	<b>01036</b>	Screw 4 x 14
34	<b>5359GS</b>	Grommet
35	<b>7082WE</b>	Release button
36	<b>7094</b>	Filter indicator, cpl.
37	<b>7018OR</b>	Retaining ring cpl.
38	<b>7032ER</b>	Switch lever, cpl.
39	<b>7024</b>	Spring

This information intended only for Europe  
(230V / 240V)  
and does not apply to North America !

# Parts Diagram



## SEBO Felix Vogue



Pos.	Art.-Nr.	Description
100	<b>2324GY</b>	Chassis ET1
101	<b>2302GY</b>	Bumper, cpl.
102	<b>2314GY</b>	Bearing block, L/H, cpl.
103	<b>2923</b>	Belt 333 3M HTDII-6
104	<b>5010ER</b>	Brush roller, cpl.
105	<b>2313GY</b>	Bearing block, R/H, cpl.
106	<b>2929</b>	Spring
107	<b>2316GY</b>	Pile adjustment assembly, complete
108	<b>2909VO</b>	Access door ET
109	<b>2304GY</b>	Rear bottom plate cpl.
110	<b>2931GY</b>	Pile adjustment button
111	<b>2306GY</b>	Wheel, complete
112	<b>2937OR</b>	Foot pedal
113	<b>2307HG</b>	Swivel neck assembly, complete
114	<b>0876ER</b>	Wiring swivel neck
115	<b>2947GY</b>	Cover
116	<b>2950ER</b>	Segments, TS-neck
117	<b>1737GY</b>	Release button
118	<b>2952HG</b>	Button cover
119	<b>2945GY</b>	Swivel neck slide
120	<b>2951GY</b>	Socket cover, TS-neck
121	<b>01027</b>	Screw F 3,9x9,5
122	<b>2954</b>	Swivel neck bearing
123	<b>2311</b>	Swivel neck support, R/H
124	<b>2312</b>	Swivel neck support, L/H
125	<b>0880</b>	Wiring swivel neck
126	<b>2928</b>	Axle
127	<b>01021</b>	Screw F 3,9x13
128	<b>2975ER</b>	Brush motor, 230/240V (175W)
129	<b>05141S</b>	Pair of carbon brushes
130	<b>01020</b>	Screw F 3,9x21
131	<b>2958ER</b>	Lever
132	<b>05114</b>	Switch 2-pol
133	<b>0881</b>	Wire
134	<b>2686ER</b>	Printed circuit board ET1 (175W)
135	<b>2331WESE</b>	Power head cover ET1
136	<b>0176</b>	Screw AM 4x30
137	<b>5402</b>	Wire tie
138	<b>2319</b>	Motor pulley
139	<b>2957</b>	Lens switch
140	<b>2956</b>	Lens right
141	<b>2959ER</b>	Switch, cpl.