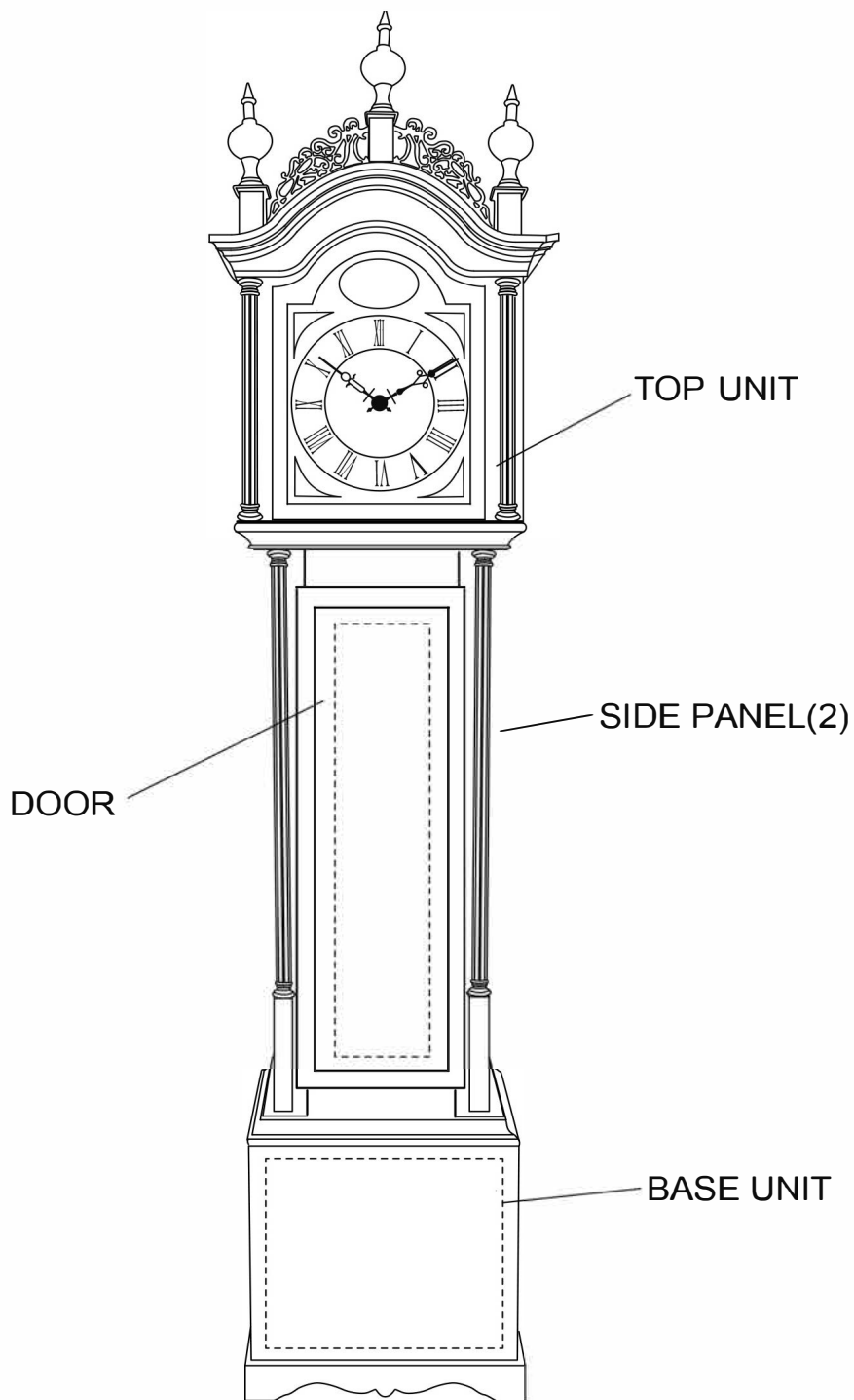


# ***ASSEMBLY INSTRUCTIONS***



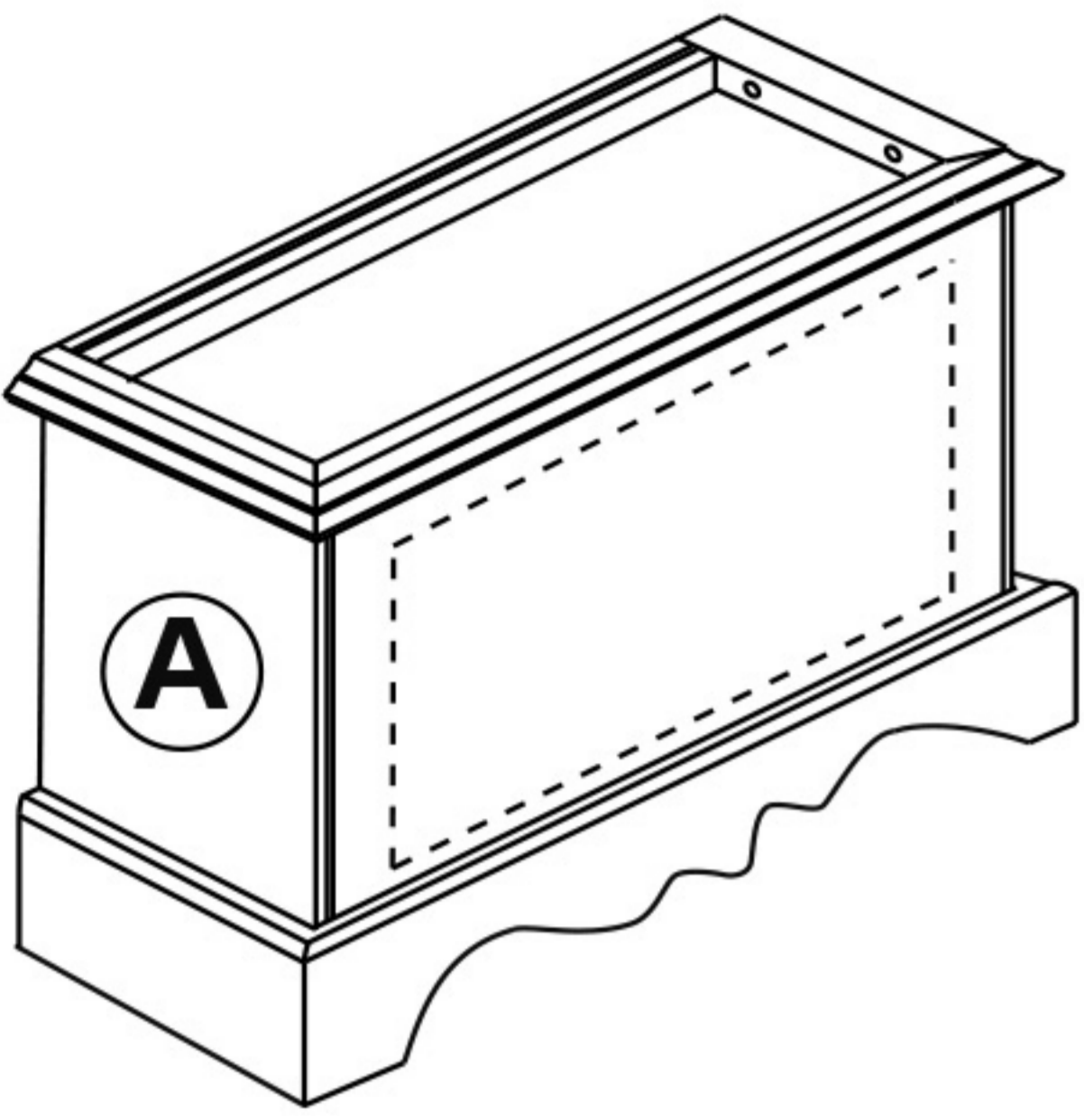
- **Tools required:NO.2 Philips Head Screwdriver.**
- **Do not throw away any packaging material until assembly is complete.**
- **Assemble the product on a soft surface to prevent any scratches and damage to the surface.**
- **For ease of assembly,two people are recommended to reduce assembly time.**
- **Keep all small parts away from children.**

# PARTS IDENTIFICATION

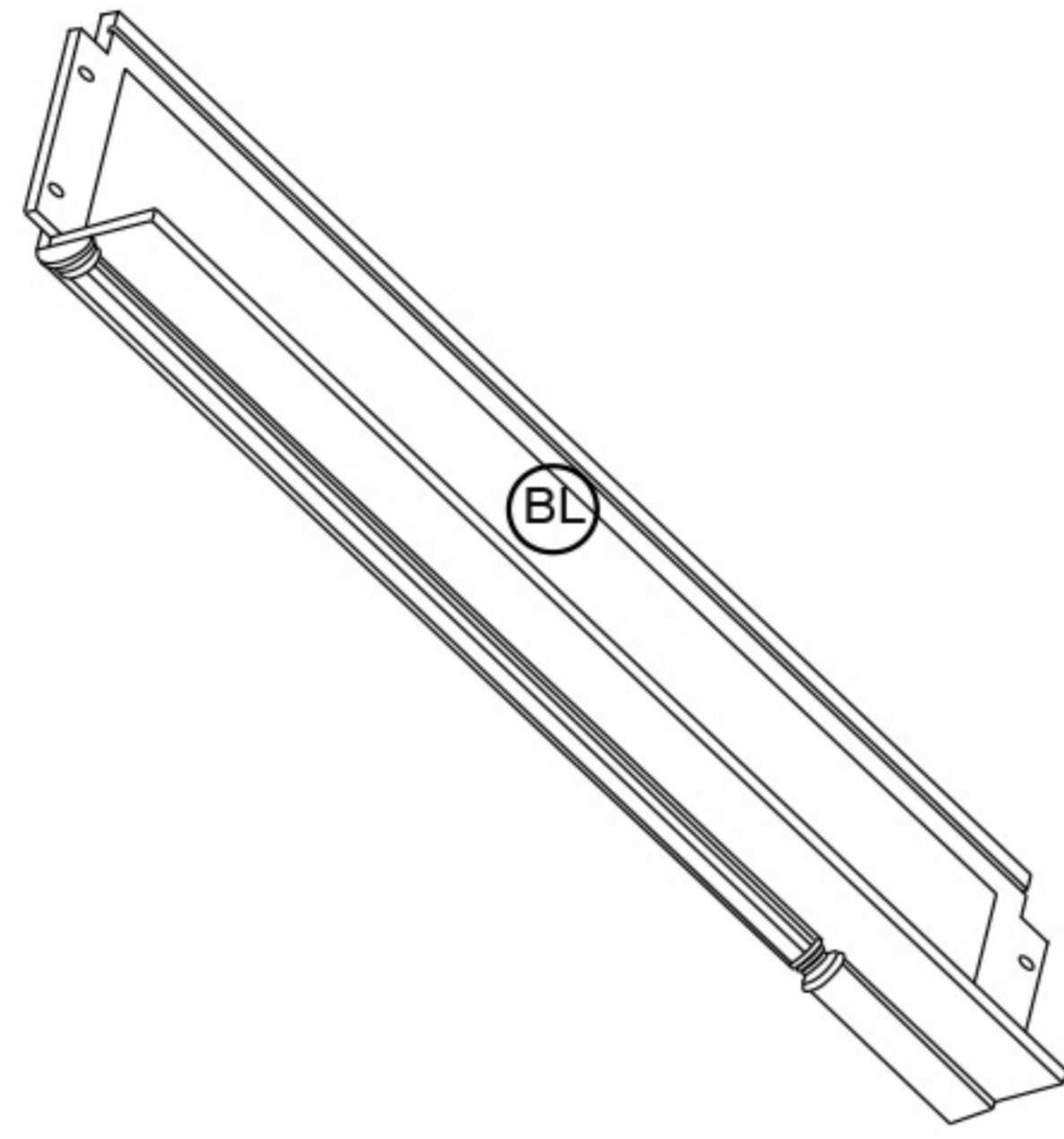
1. Lay out all parts and components before beginning assembly. Parts are labelled on the edge to help distinguish similar parts from one another. Use this PARTS IDENTIFICATION page to help identify parts.

2. Assemble on soft surfaces to prevent damage to the product.

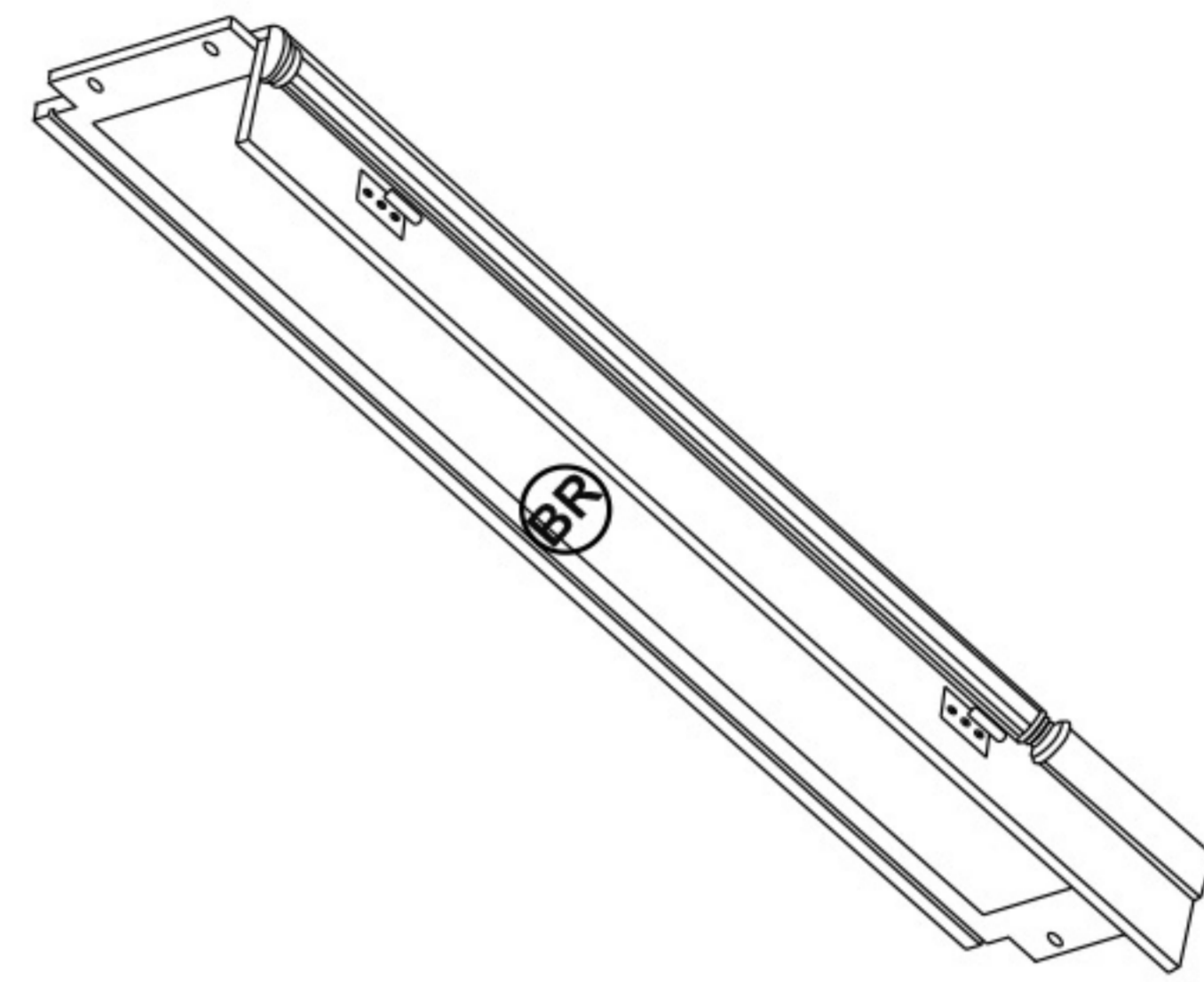
(A) BASE UNIT-1



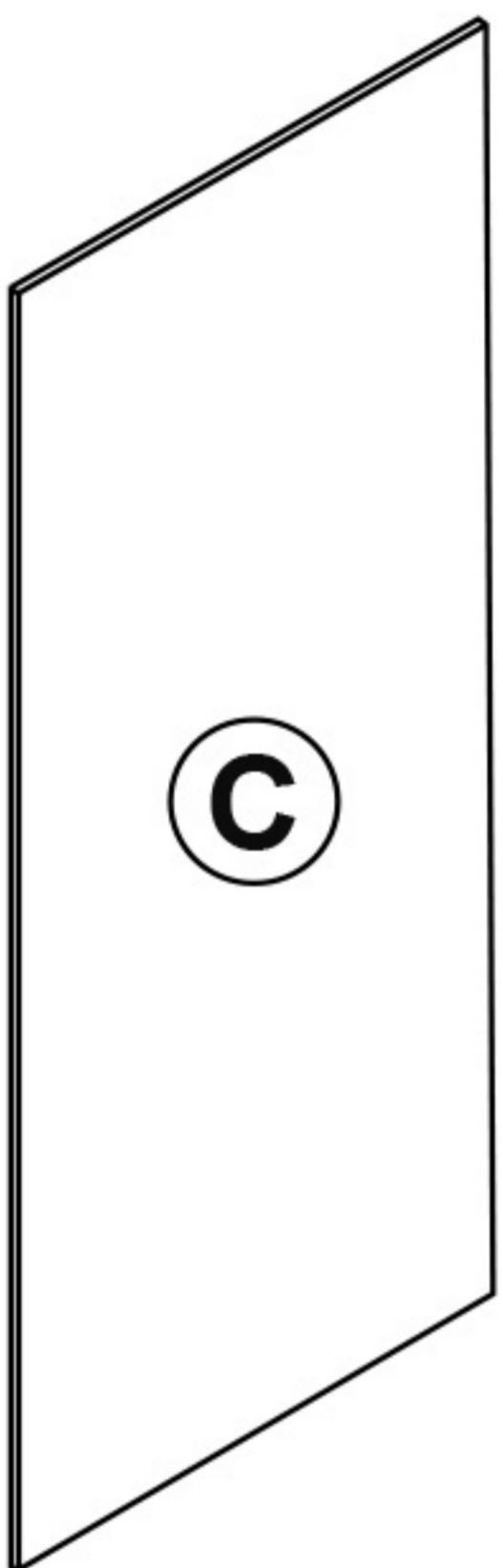
(BL) LEFT PANEL-1



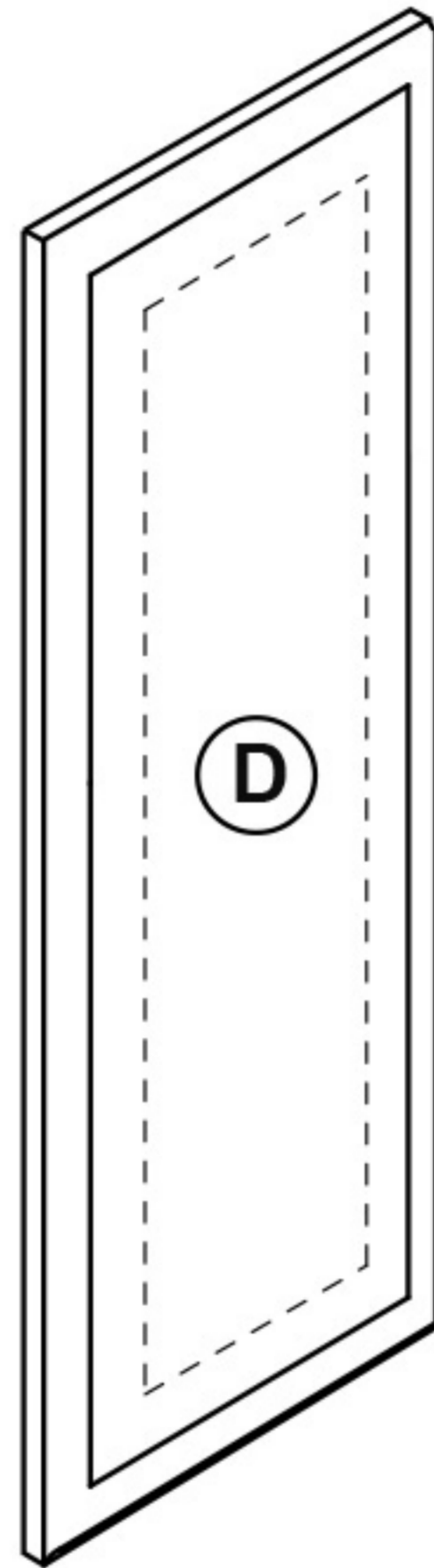
(BR) RIGHT PANEL-1



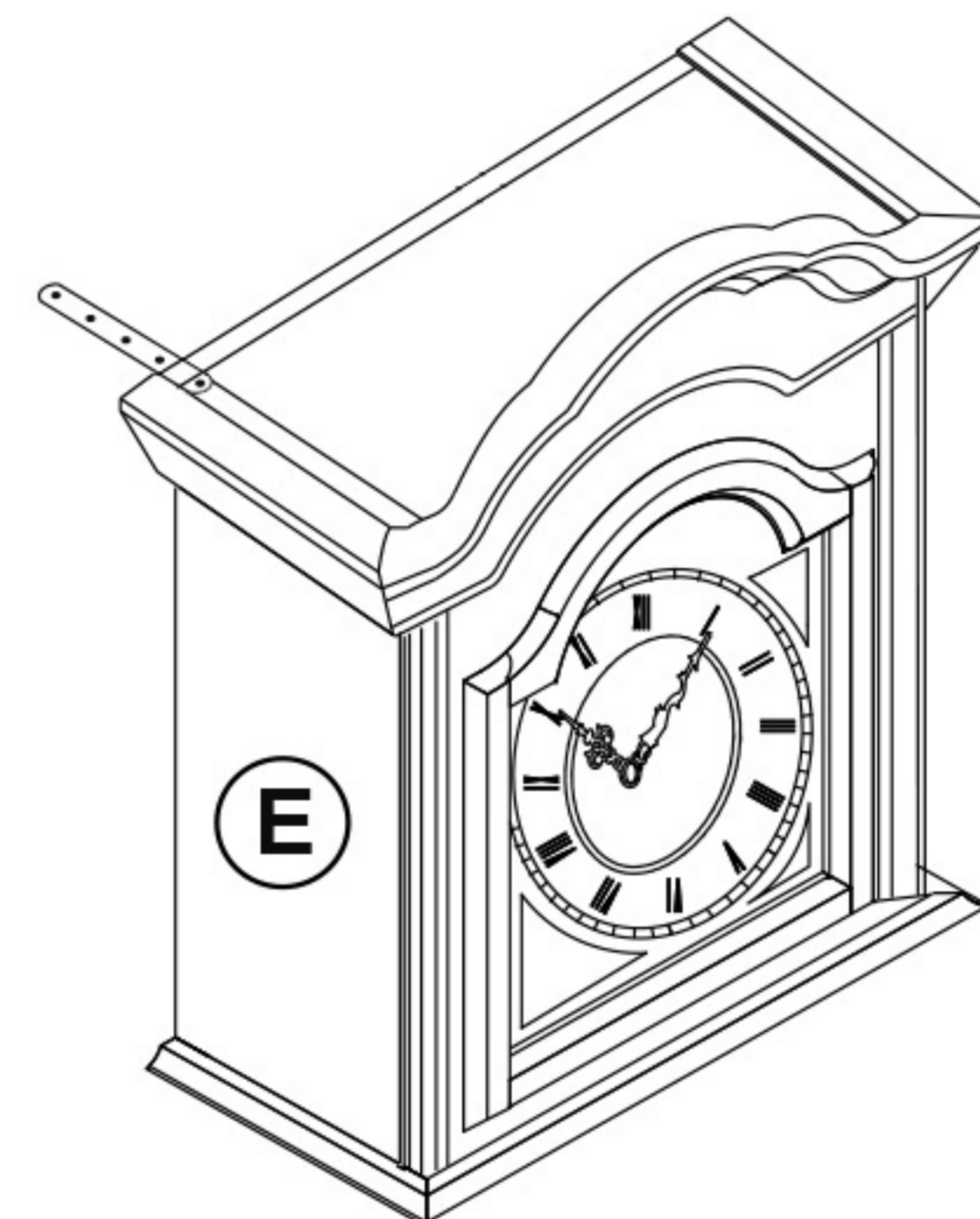
(C) BACK PANEL-1



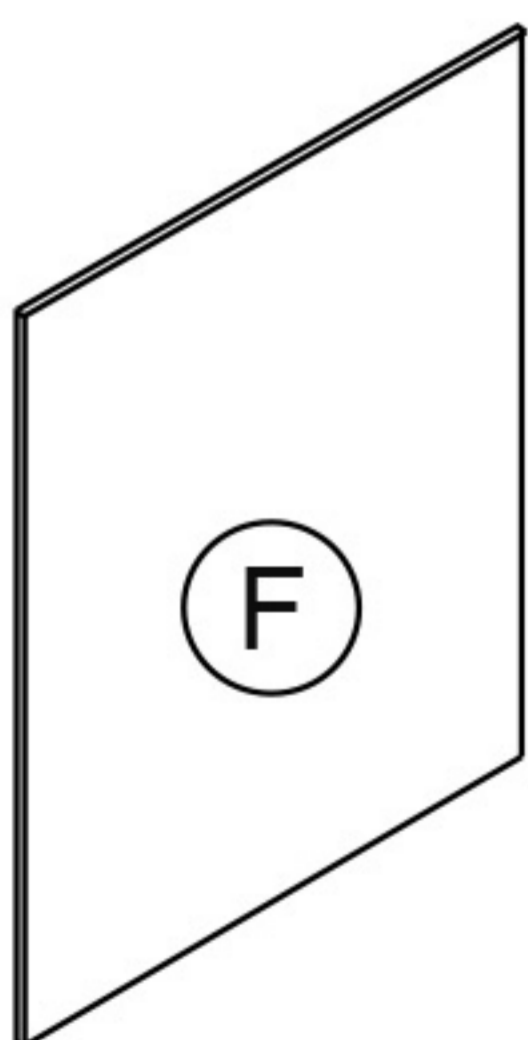
(D) DOOR-1



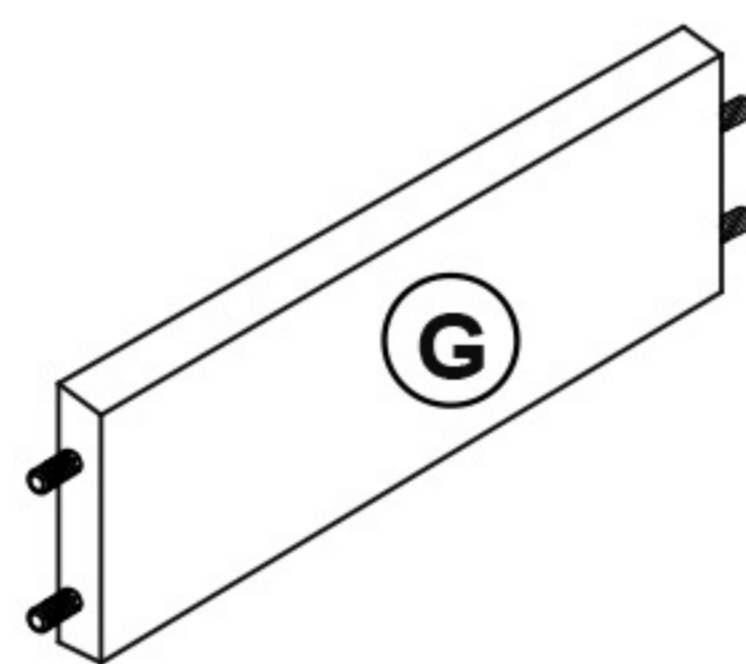
(E) TOP UNIT-1



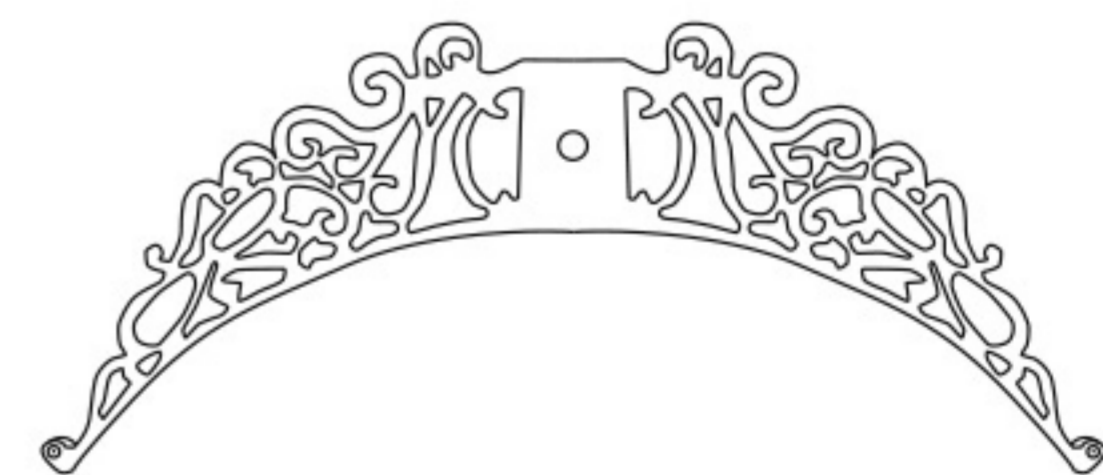
(F) SHELF-2



(G) BAR-2



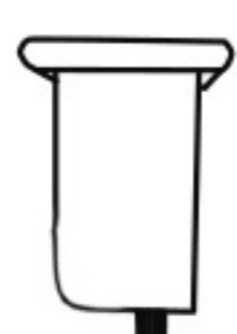
(H1) ORNAMENTAL DESIGN-1



(H2) TOP FINIAL-3



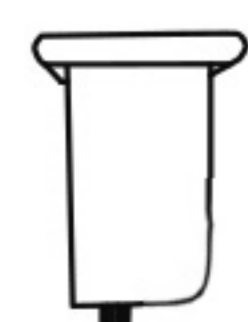
(H3) TOP FINIAL-1



(H4) TOP FINIAL-1

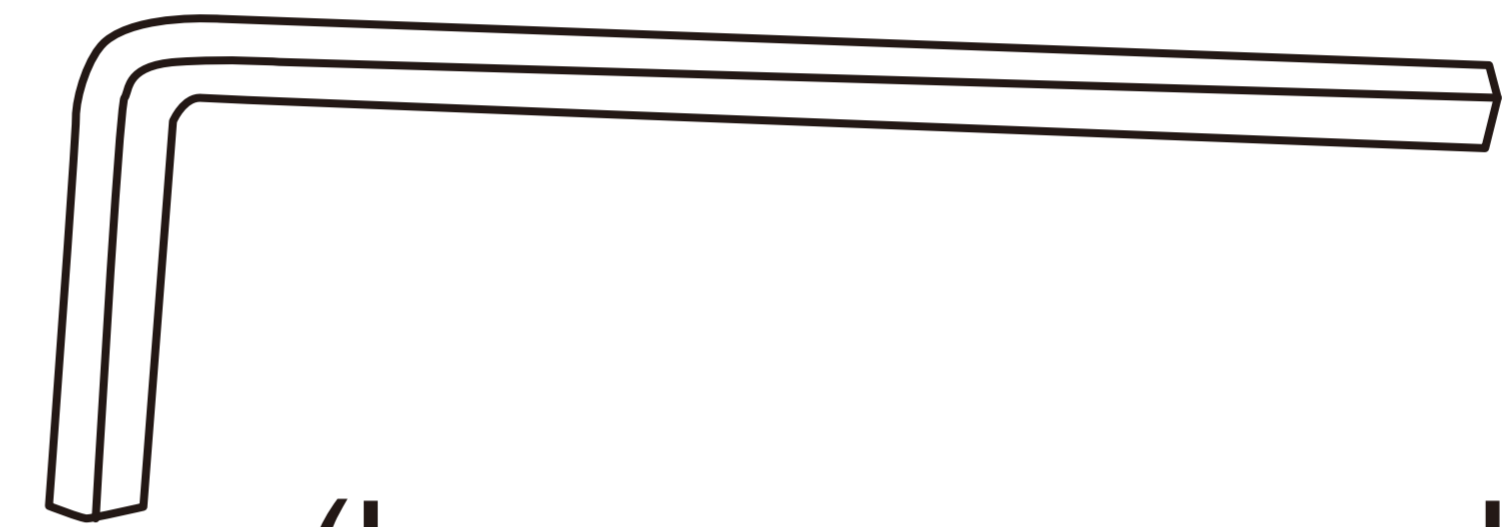
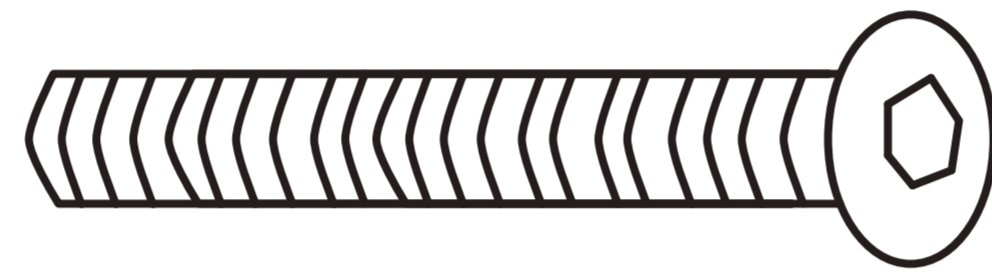


(H5) TOP FINIAL-1



# OTHER PARTS

(R1) M6X30MM-8



(hexagon screwdriver-1)

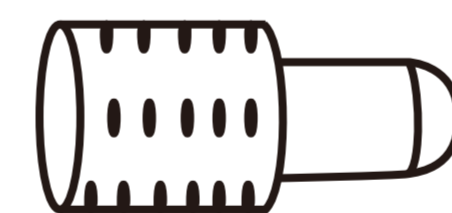
(R2) HINGE JOINTS-2

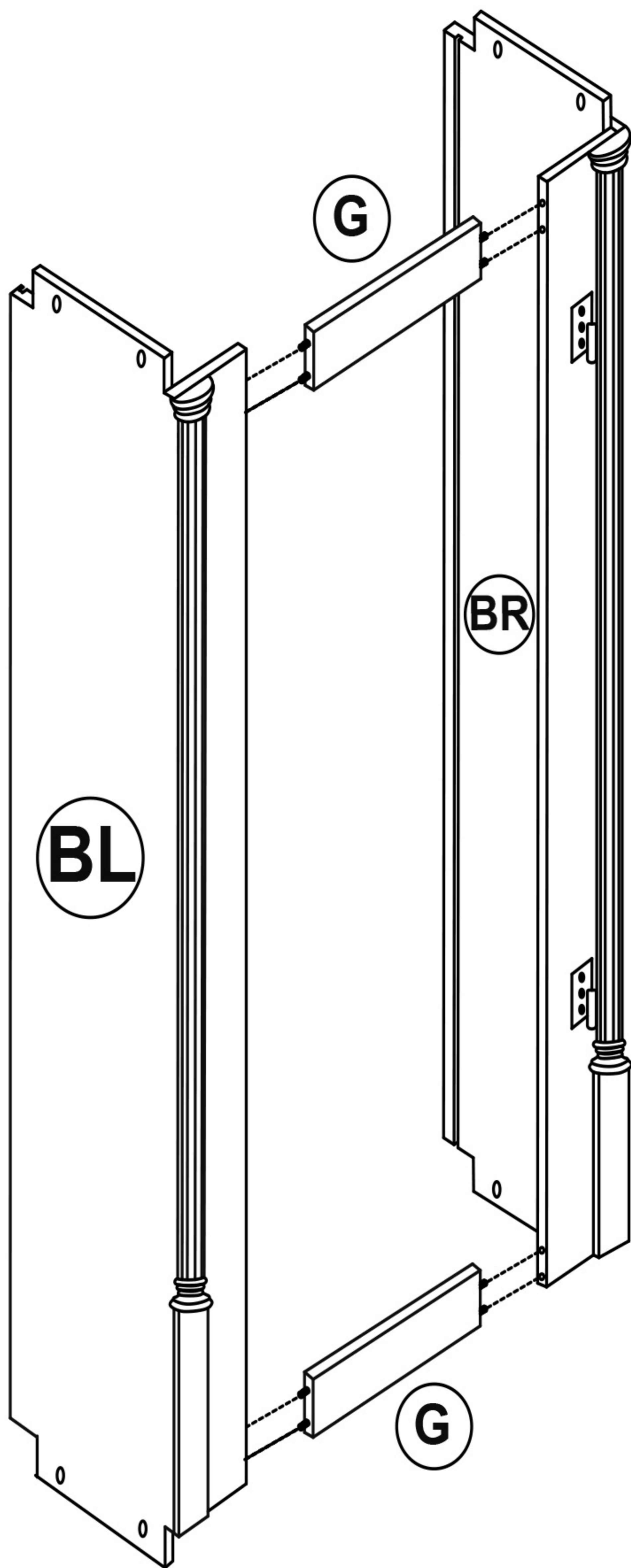


(R3) ST3X15MM-3

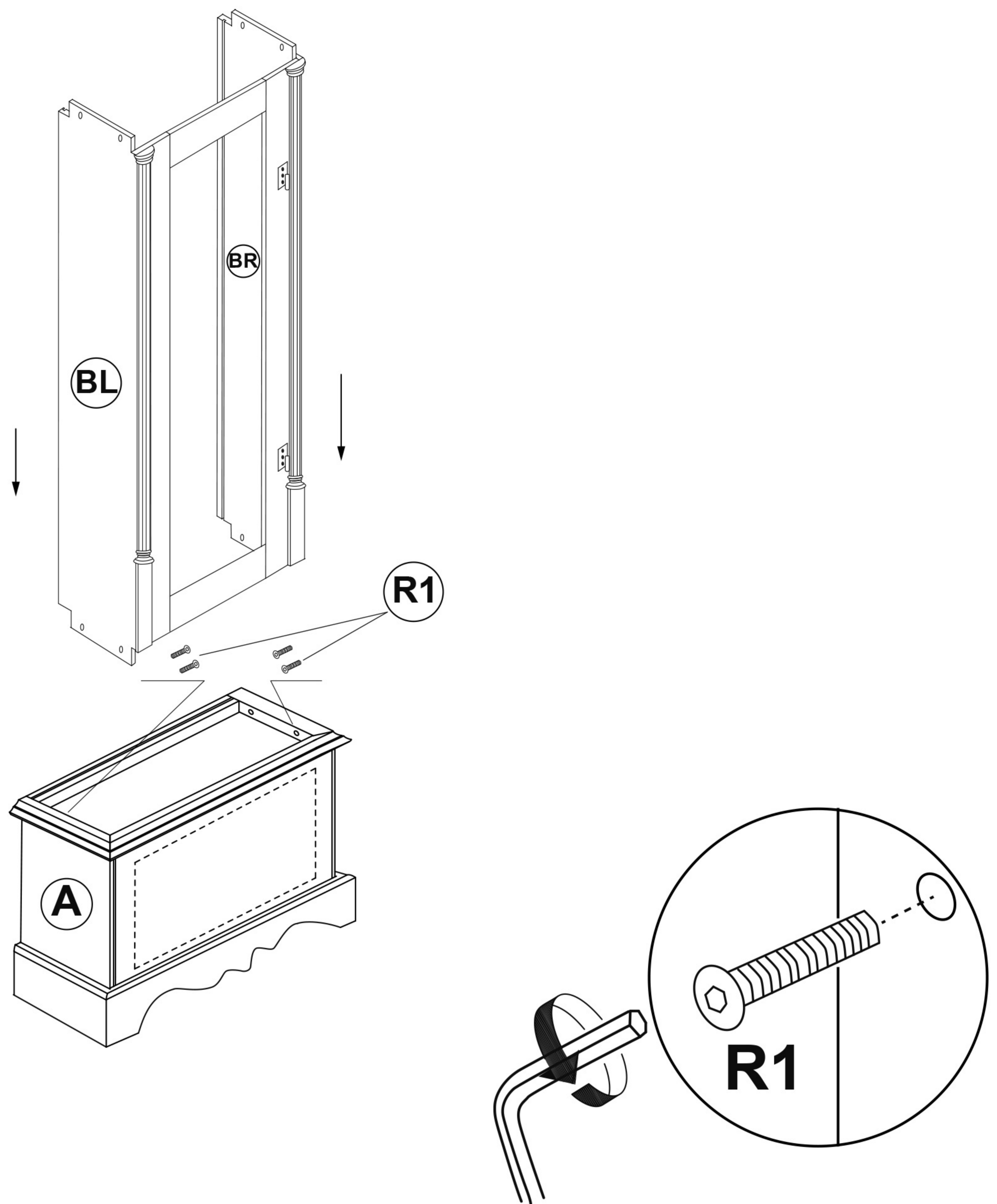


(R4) SHELF SUPPORT STUD-8





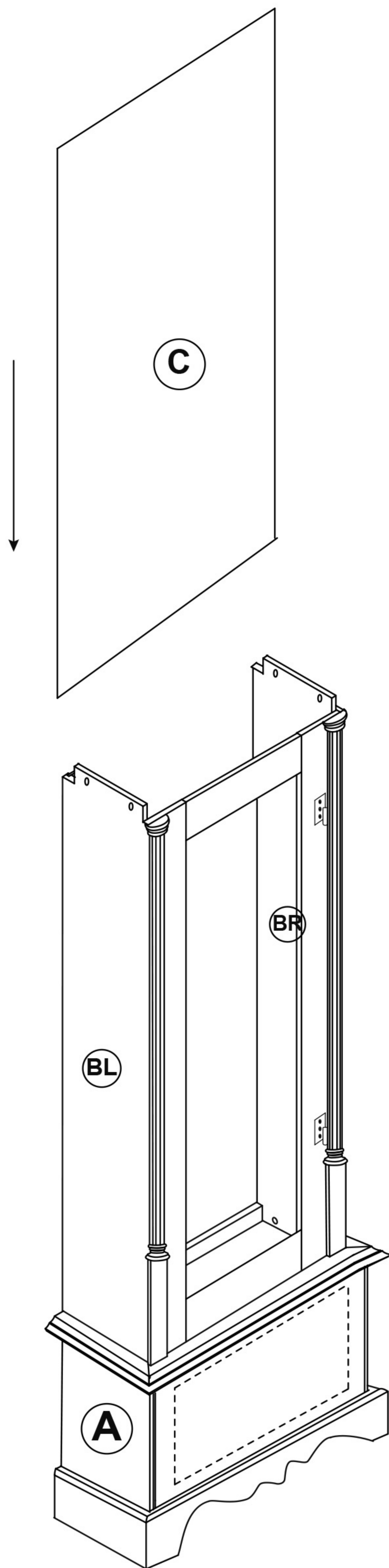
1. Insert two bars G into the left panel BL and the right panel BR respectively.



2. Place the base unit A near its final position, but leave it away from the wall until the assembly is finished. Fit the left panel BL into the groove in the base on the left side of the clock and attach it from the inside with two of the machine screws R1(M6X30MM), using a hexagon screwdriver.

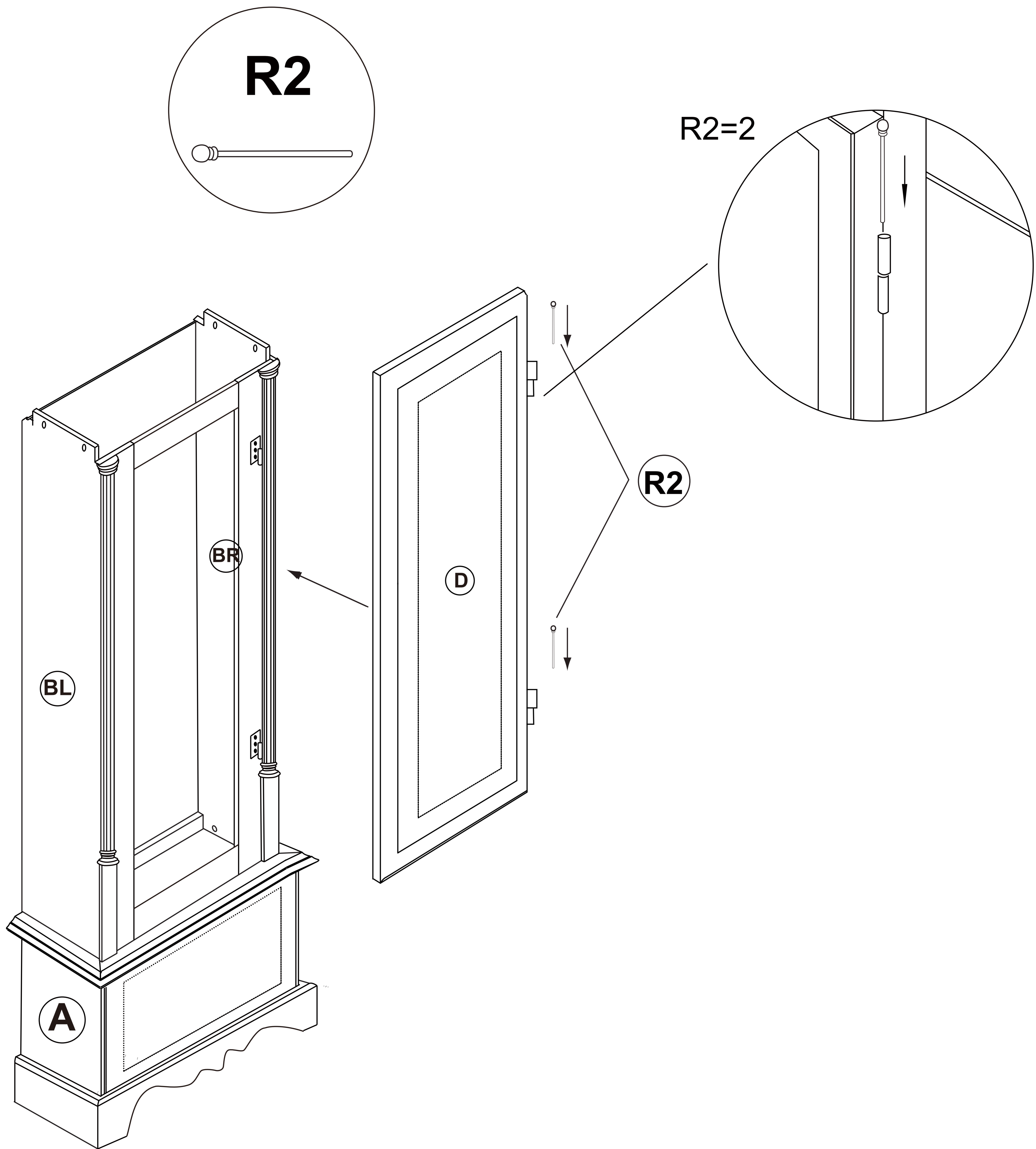
Repeat the process using the right panel BR on the right side of the clock.

**NOTE: Do not over-tighten machine screws until Step 3 is complete.**

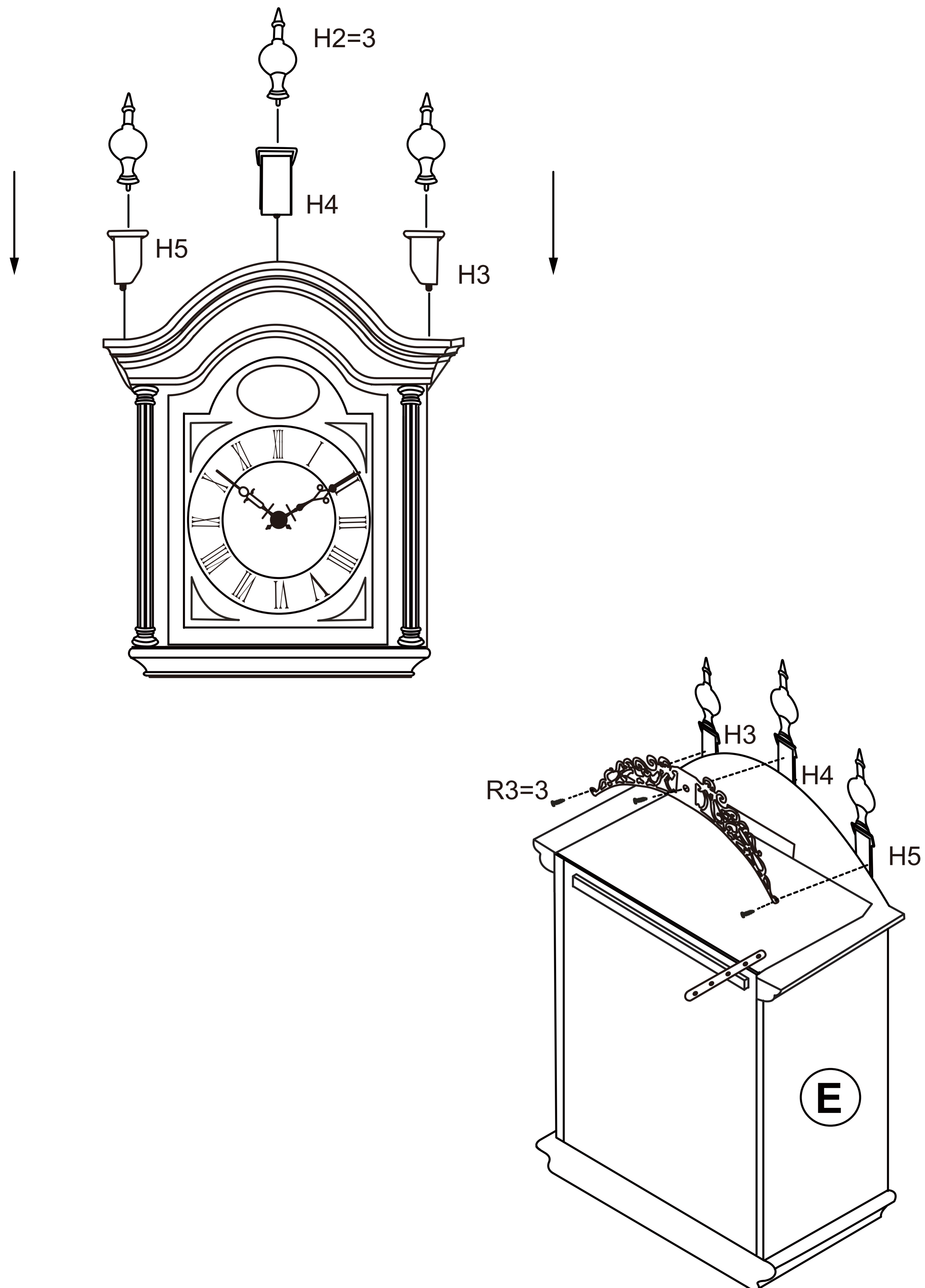


3. Slide the back panel C into the grooves in the left panel BL, the right panel BR at the back of the clock, and the base unit A.

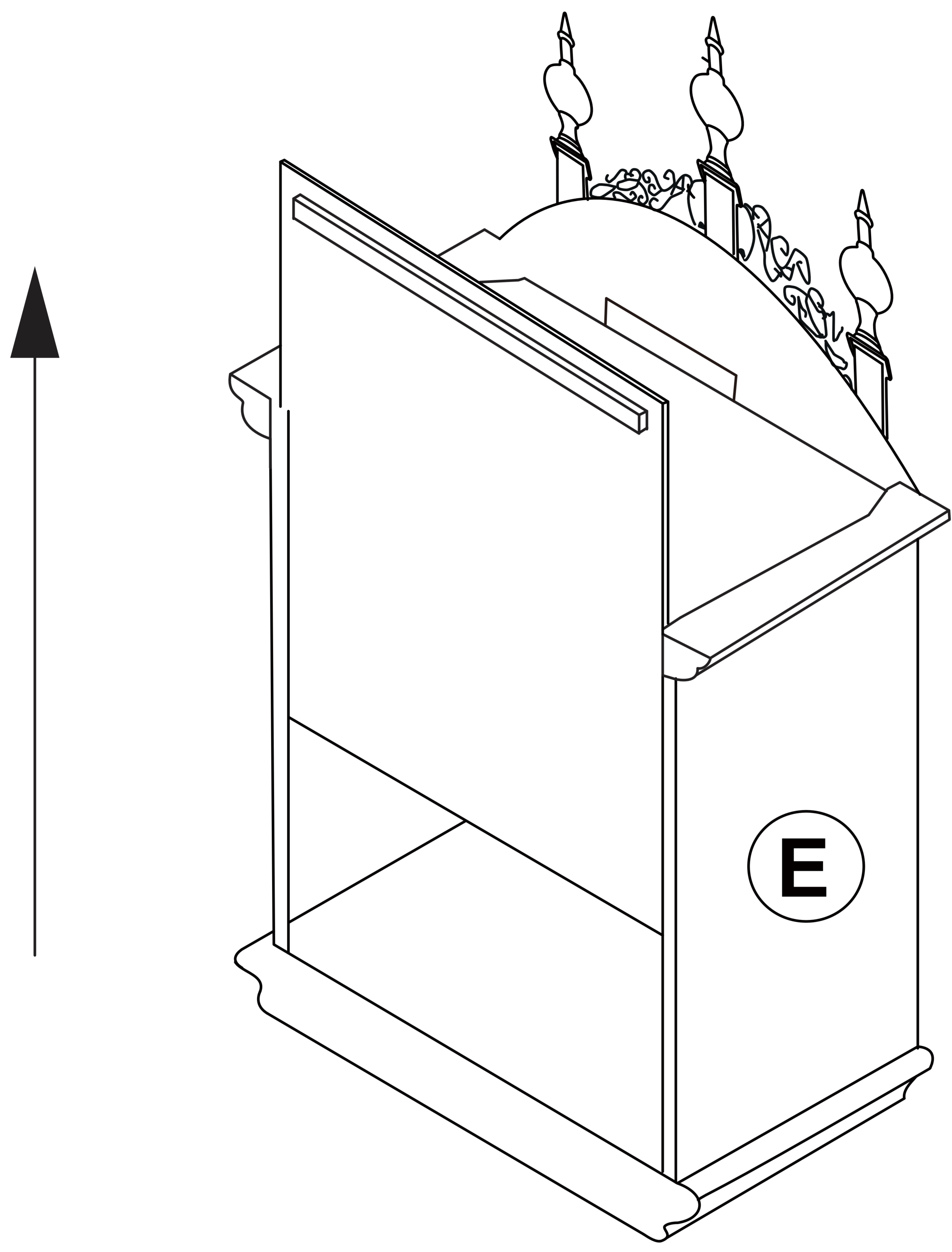
NOTE: Tighten machine screws installed in step 2.



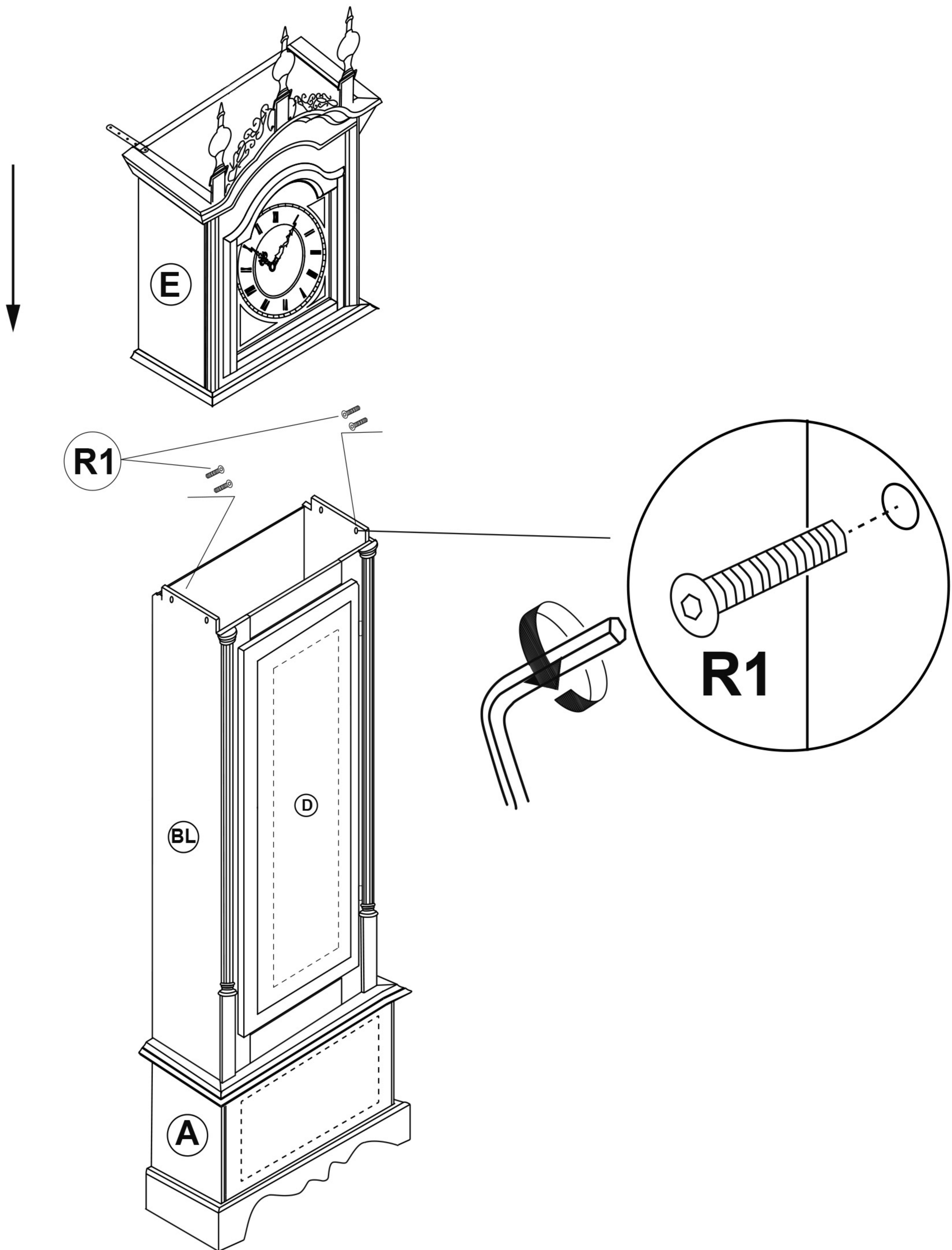
4. Slip the door D into place by lowering it over the matching hinge on the right panel BR. Line up both parts slowly and it will drop into position. Use (R2) Hinge joints.



- 5.a) Install 3 top finial H2 into the hole at the H3, H4, H5, and then install them into the hole at the top unit E.
- b) Fasten ornamental design H1 to H3, H4, H5, using 3 screw R3(ST3X8MM).

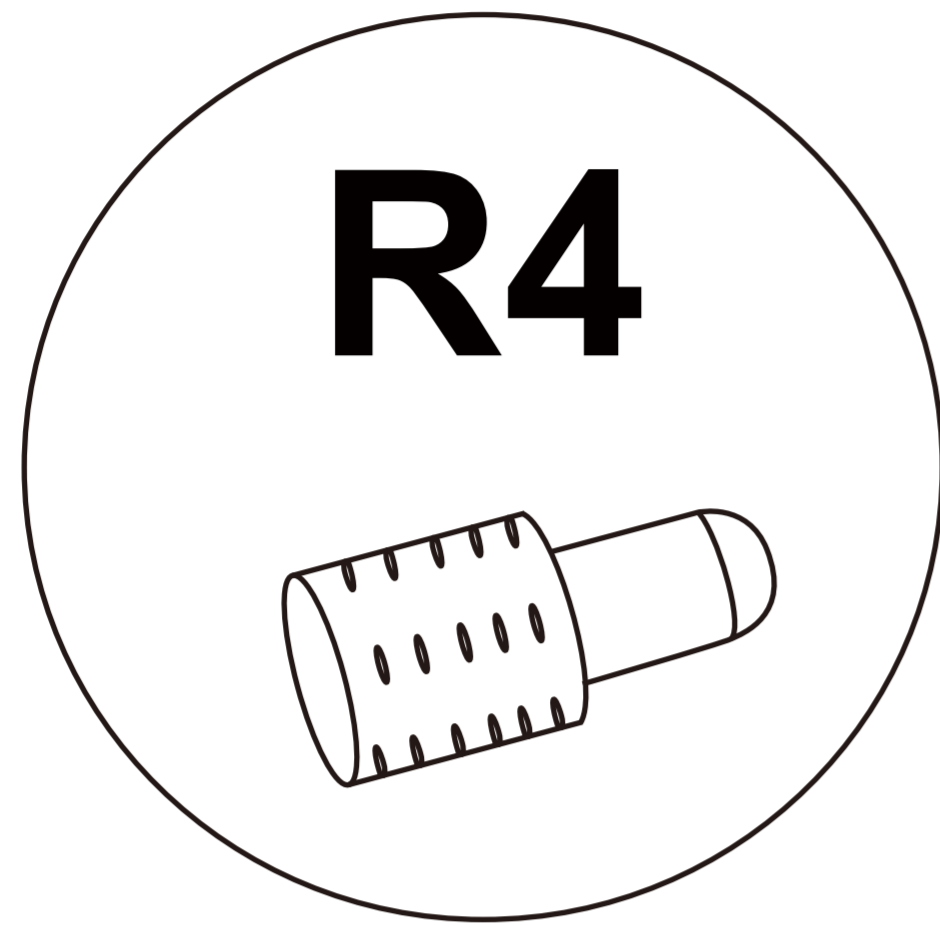


6. a) Remove the back push plate of the top unit E.

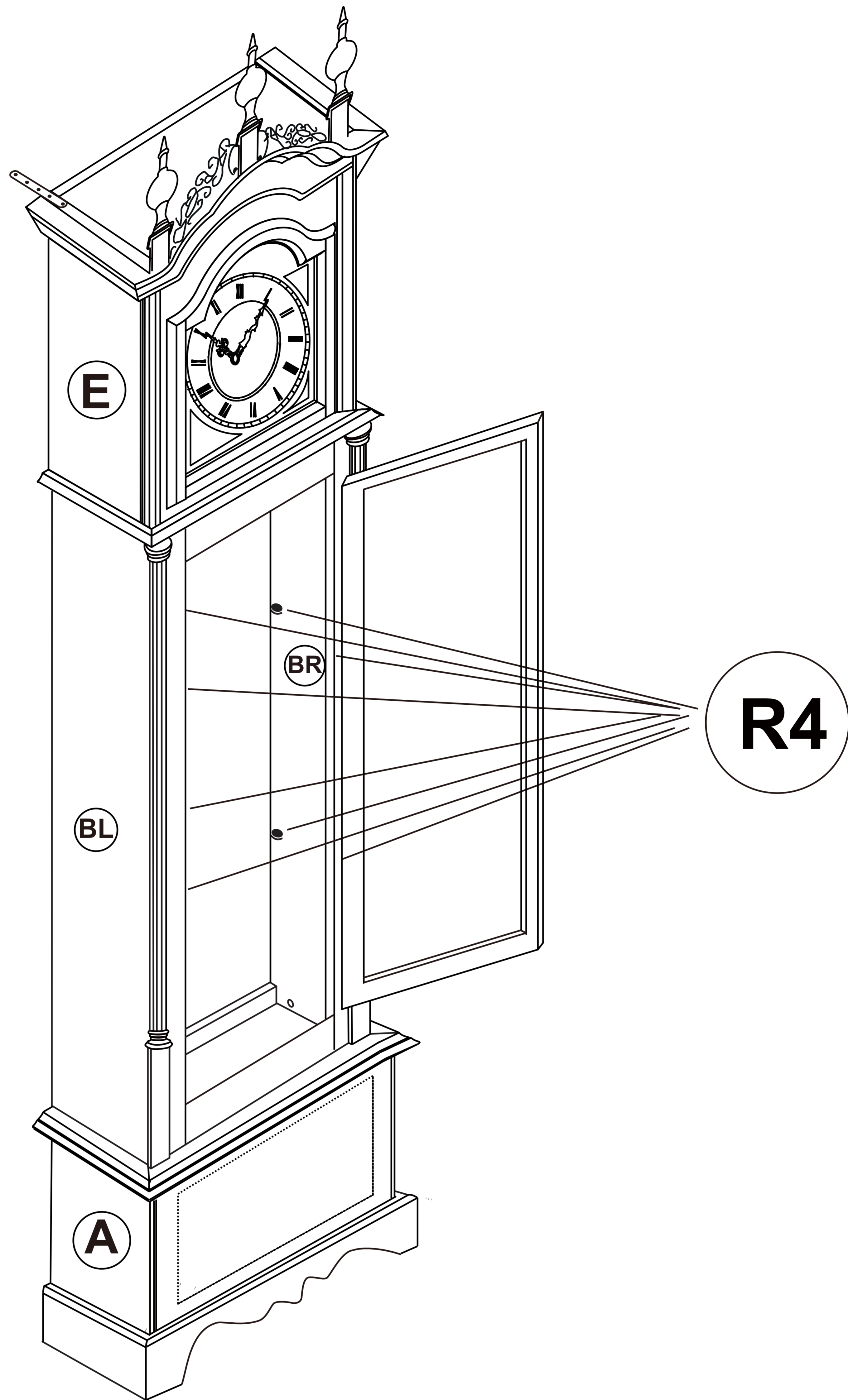


6. b) Carefully fit the top unit E down onto the left panel BL and right panel BR. Attach the top unit E with the 4 remaining machine screws R1 (M6X30MM). Please be noted the 4 machine screws R1 (M6X30MM) are fixed from the back of the product.

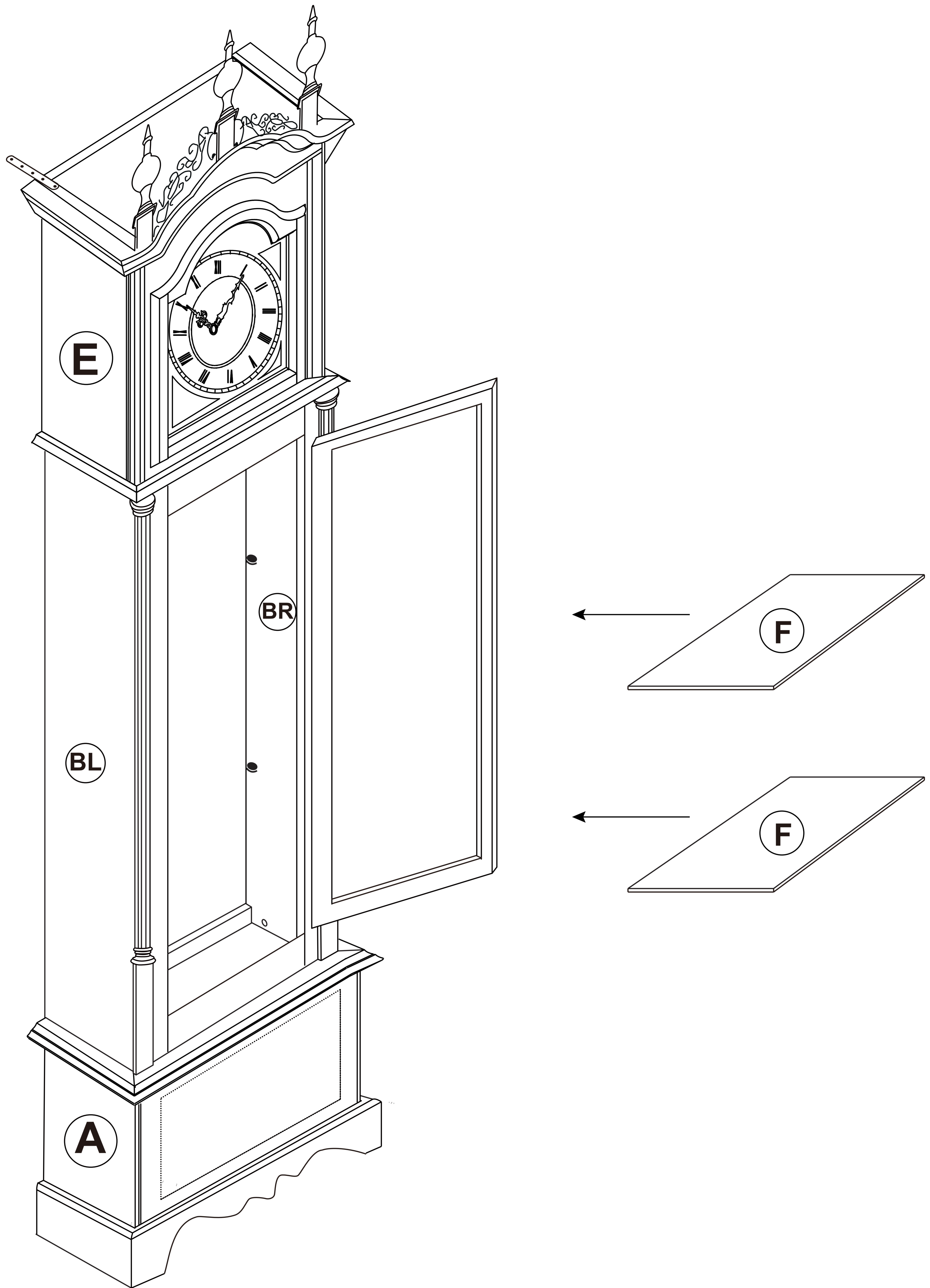
c) At last, install the back push plate of the top unit E.



R4=8



7. Fit the 8 shelf support stud R4 into the holes on the left panel BL and the right panel BR.



8. Attach 2 shelves F on shelf support stud R4.

## TIME AND CHIME SETTING:

CONGRATULATIONS-You have purchased a quality clock which plays the Westminster chime melody on the hour, tolls the hour and has an automatic shut-off (clock does not chime between 10:00 p.m. and 6:00 a.m.). To ensure that your clock functions correctly, please follow the time and chime setting instructions precisely. The clock will chime during the day and will automatically turn off at night.

1. Pull upwards the back panel of the Top Unit.
2. BEFORE inserting batteries set the clock at 6:05 AM (5 minutes past 6) with knob A.
3. Insert 1 x AA Alkaline battery into the clock battery chamber, according to the positive (+) and negative (-) symbols.
4. Insert 2 x AA Alkaline batteries into chime battery chamber, according to the positive (+) and negative (-) symbols. Make sure batteries are secure in the holder. The clock will chime automatically and toll 6 times.
5. Now turn hands (using knob A) slowly to the present hour (in a clockwise direction). Remember that the clock started at 6:05 in the morning, if setting at night, let's say, to 9:20 PM, then hands will be turned thus-7, 8, 9, 10, 11, 12, 1, 2, 3, 4, 5, 6, 7, 8, 9 then 9:20. The last strike you hear will be 9 times.

N. B. When moving hands to the present time clock will begin chiming. Do not be concerned about this. The last strike you hear after setting the clock at appointed time will be the correct one.

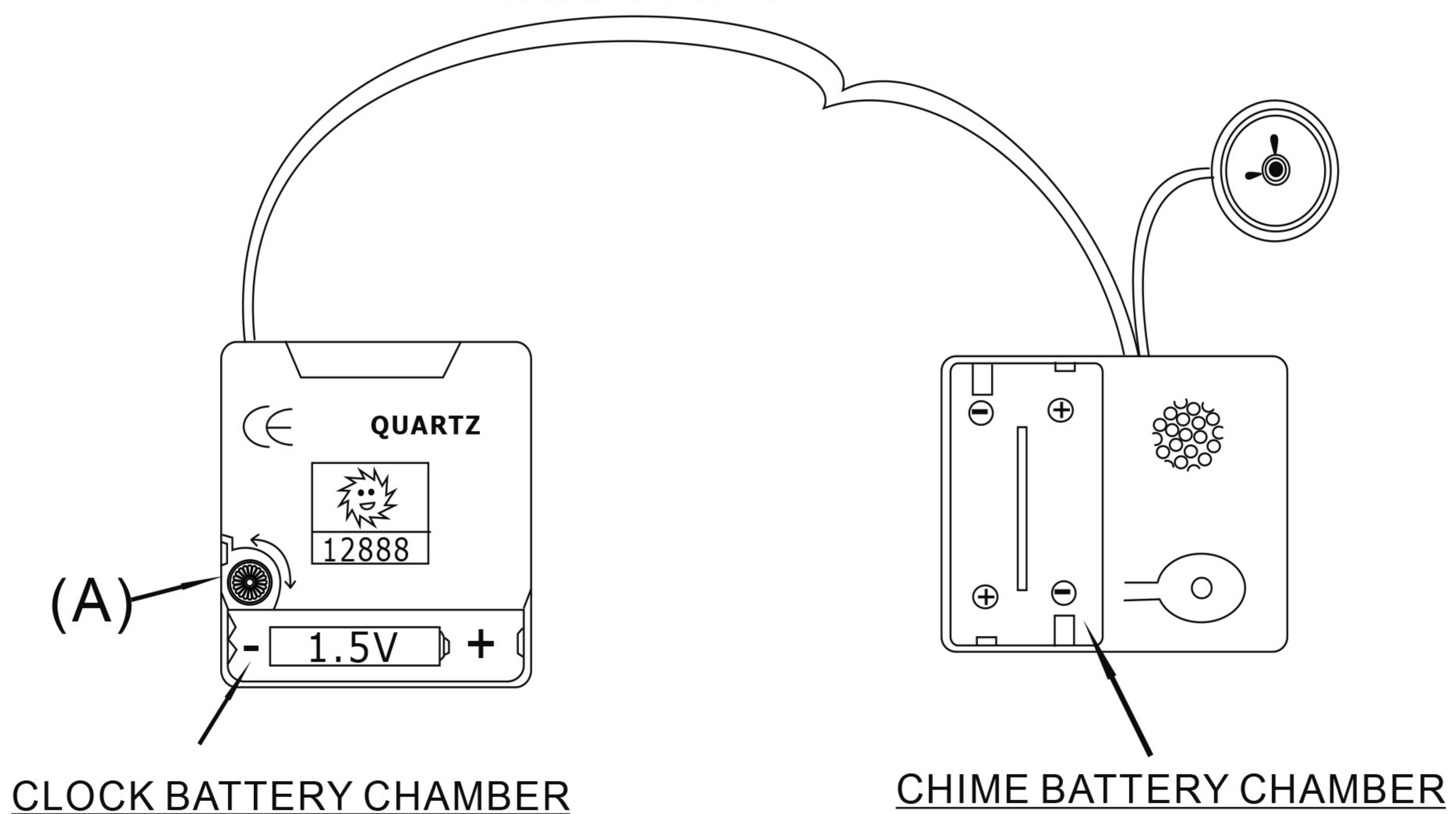
6. When replacing batteries remember that all the above must be repeated from point one, i.e. the clock must be started again at 6:05 a.m. Therefore, please do not throw these instructions away as by the time the batteries have to be replaced; you may have forgotten how to set the clock.

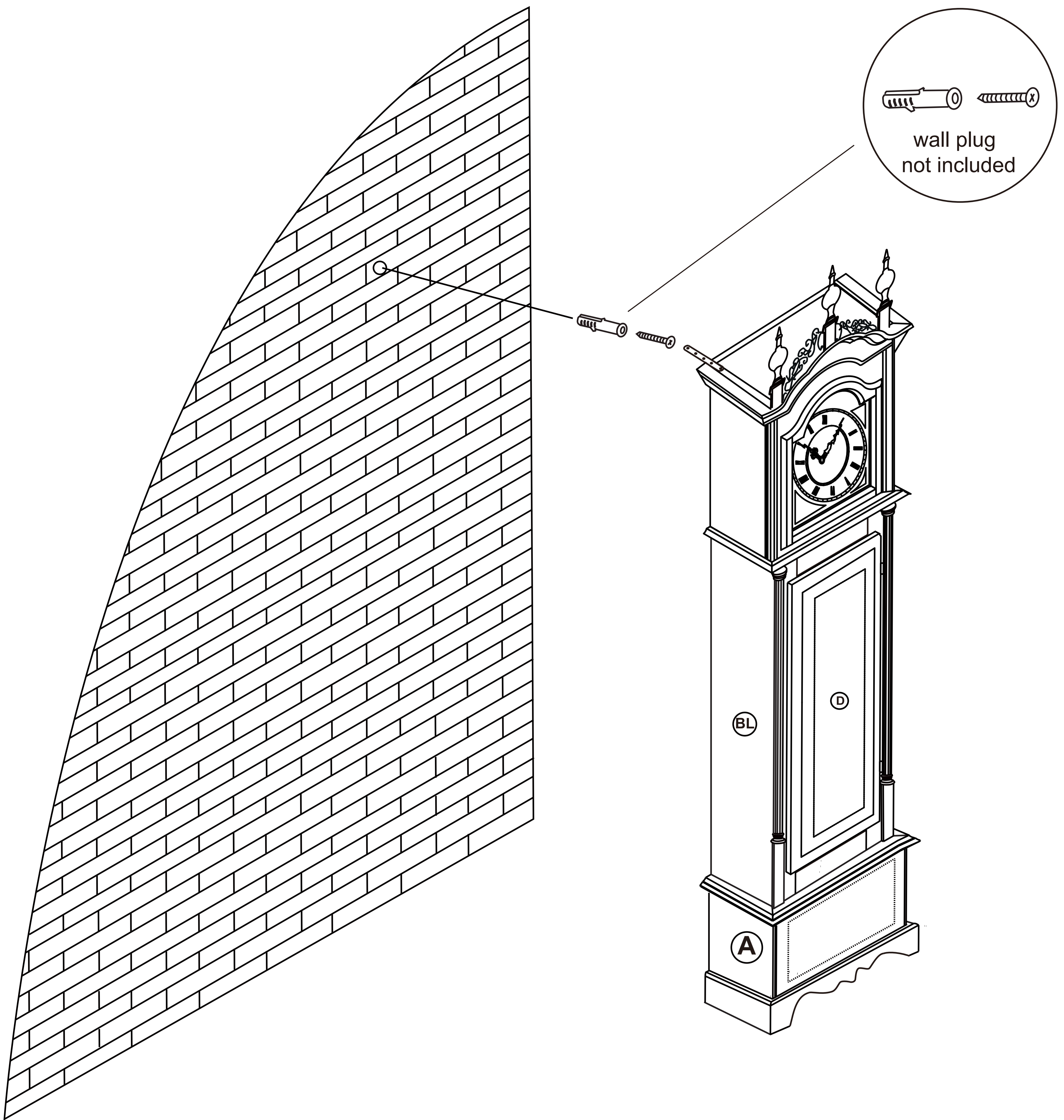
7. To eliminate chimes, remove the two batteries from the Chime Battery Chamber.

8. Never turn clock hands counter clockwise as it will interrupt the chime sequence and damage the clock.

N. B.: WHEN BATTERIES ARE LOW, CHIMES WILL NOT REMAIN CO-ORDINATED WITH THE TIME ON THE CLOCK. WHEN THIS HAPPENS, REPLACE WITH NEW ALKALINE BATTERIES AND RESET CLOCK AS ABOVE.

FIGURE E





9. In order to ensure that your clock is stable, adjust the levelers under your clock. As an added safety feature, a support strap has been provided. It is fixed to the top unit E of the clock and must be attached to the wall, using the screw. Provide your own wall plug if desired.

**NOTE:** If the product is dirty, wipe it with soft a cloth. Be sure you position the product in a dry location.