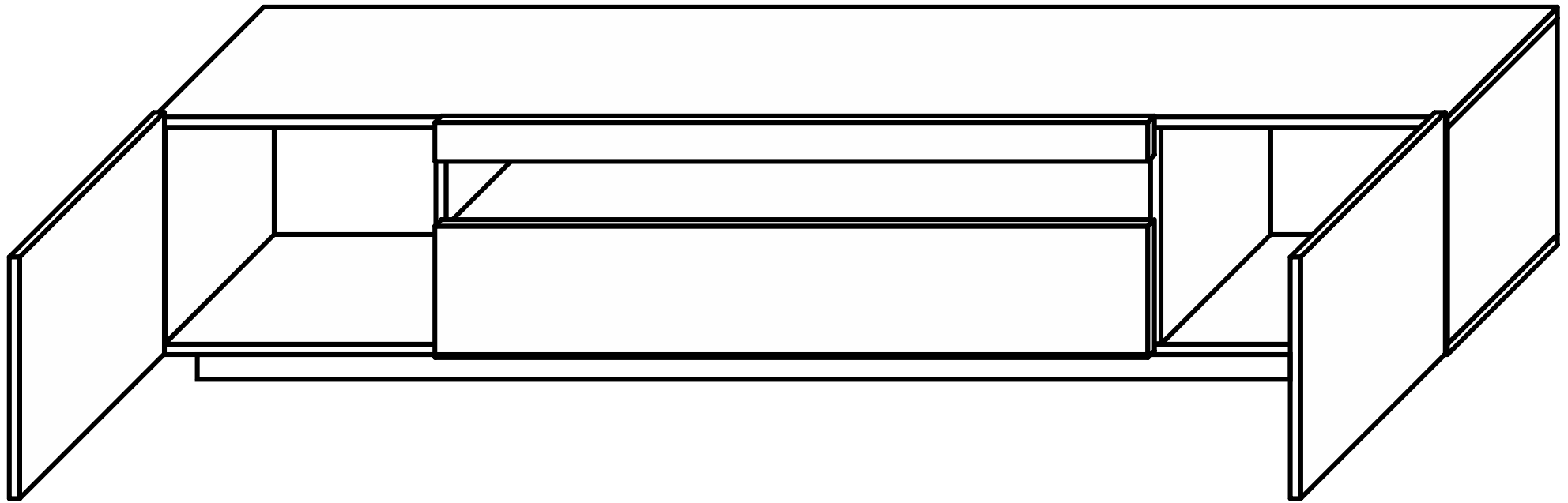


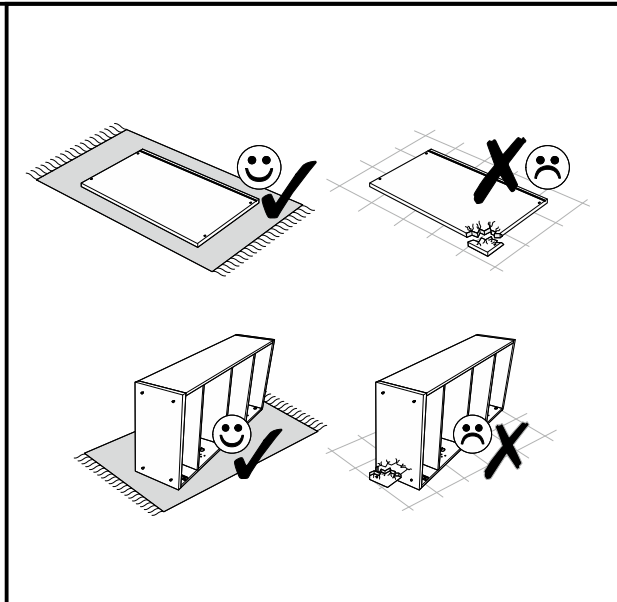
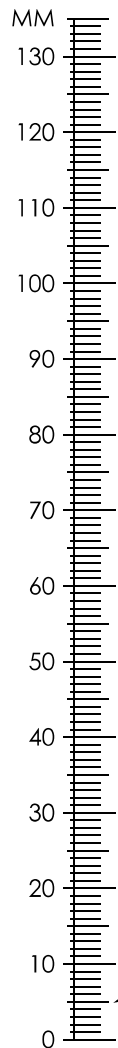
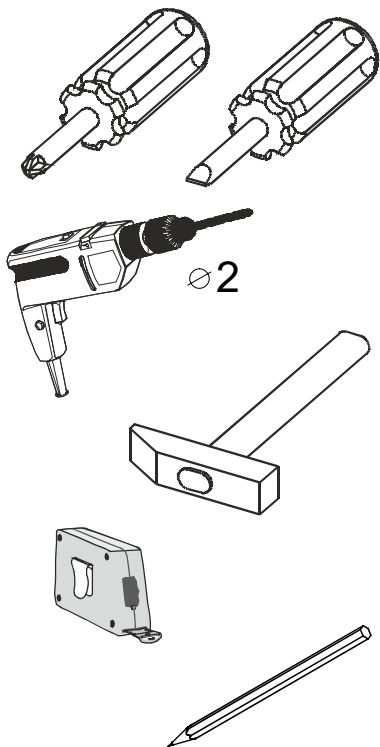
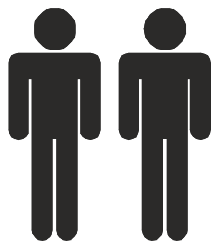
TV CABINET

STANDARD

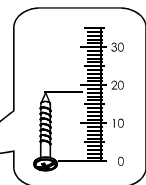


ASSEMBLY INSTRUCTIONS

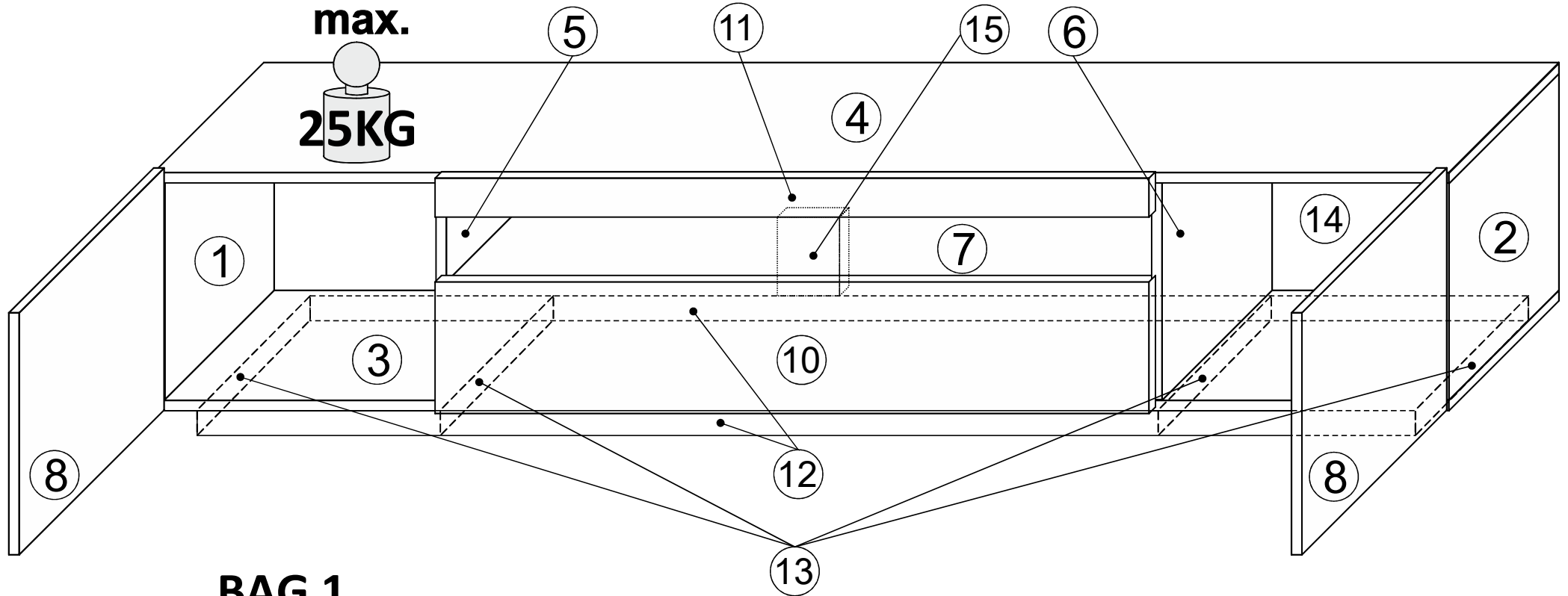
Use the following for assembly:





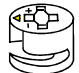





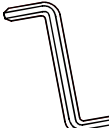
Before applying the led tape, surfaces must be clean / degrease.



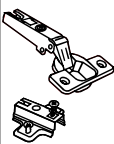
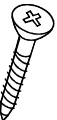
Care notes!
Please wipe with dust cloth or slightly damp rubber.
Do not use scrubbing or cleaning agents on cabinet.





BAG 1

- | | | | | | | | | |
|---|---|---|--|--|---|--|--|---|
| <p>K2</p>  <p>8x28</p> <p>x22</p> | <p>T1</p>  <p>x24</p> | <p>M1</p>  <p>x24</p> | <p>S10</p>  <p>US 3x18</p> <p>x10</p> | <p>P2</p>  <p>3,5x18</p> <p>x8</p> | <p>S9</p>  <p>x10</p> | <p>Z2</p>  <p>x8</p> | <p>K11</p>  <p>7x50</p> <p>x9</p> | <p>K7</p>  <p>x1</p> |
|---|---|---|--|--|---|--|--|---|

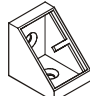

BAG 2

- | | |
|--|---|
| <p>Z7</p>  <p>x6</p> | <p>S3</p>  <p>4x13</p> <p>x12</p> |
|--|---|

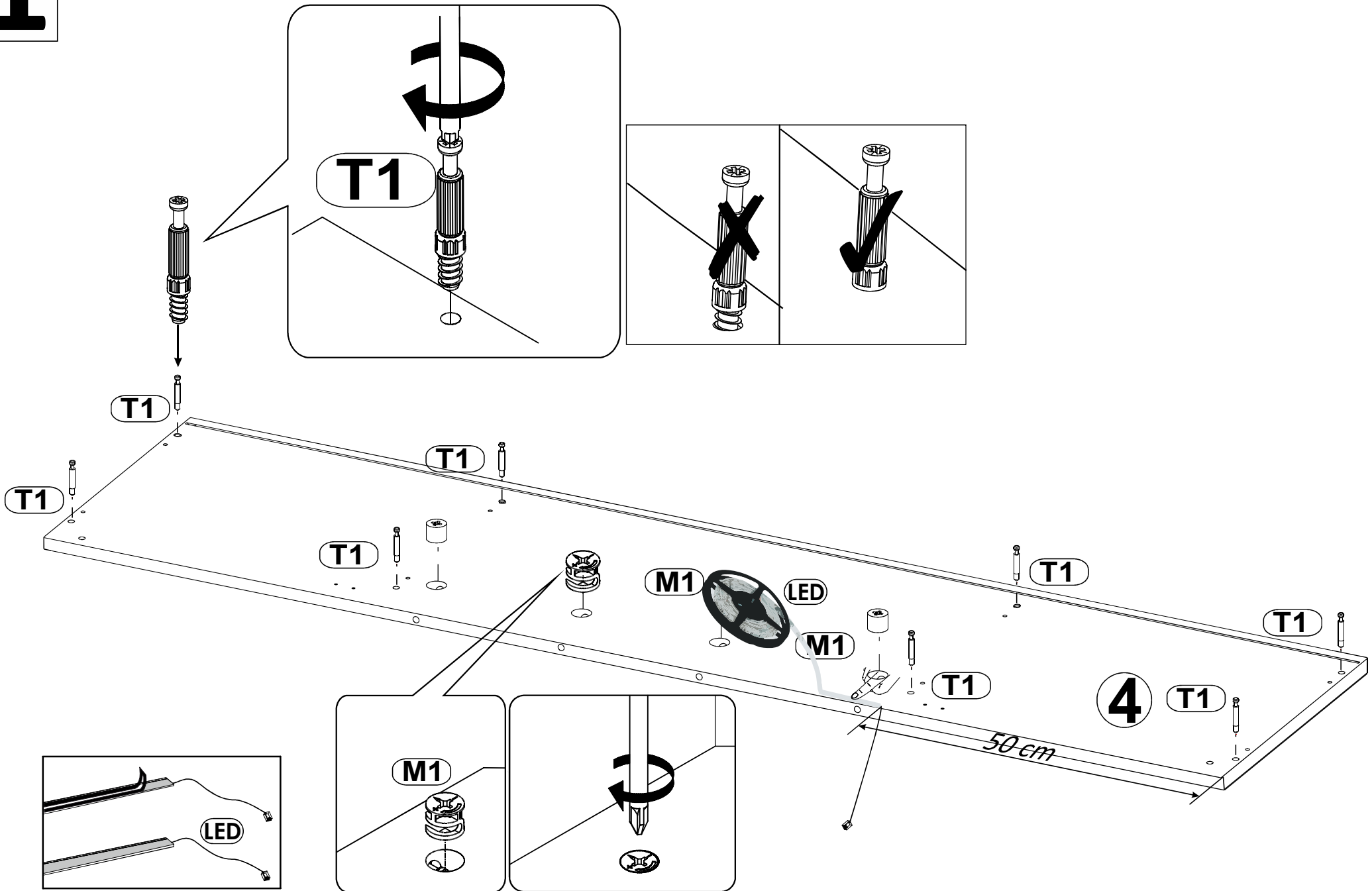
BAG 3

- | | |
|--|--|
| <p>R9</p>  <p>x2</p> | <p>S1</p>  <p>3,5x13</p> <p>x8</p> |
|--|--|

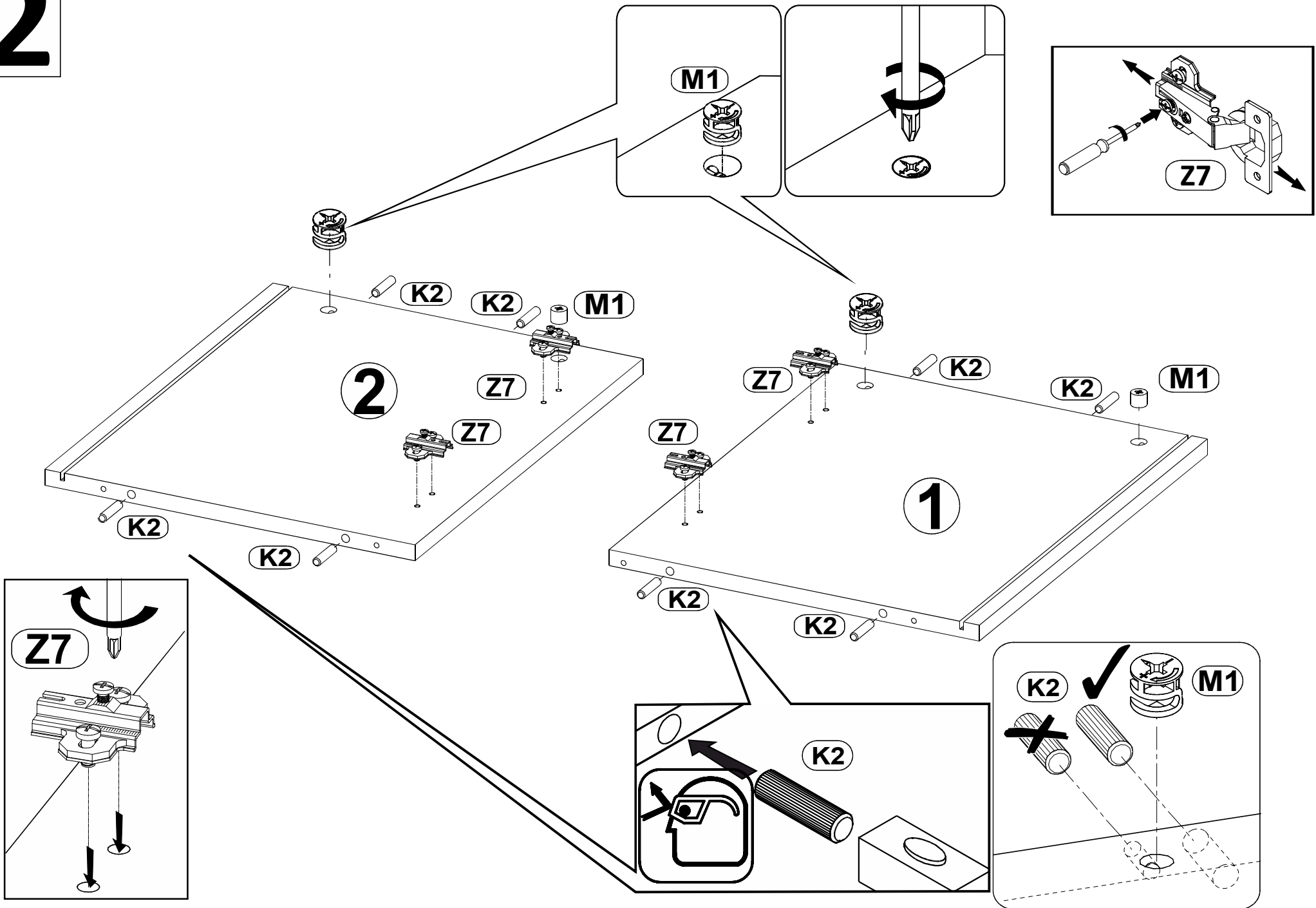
BAG 4

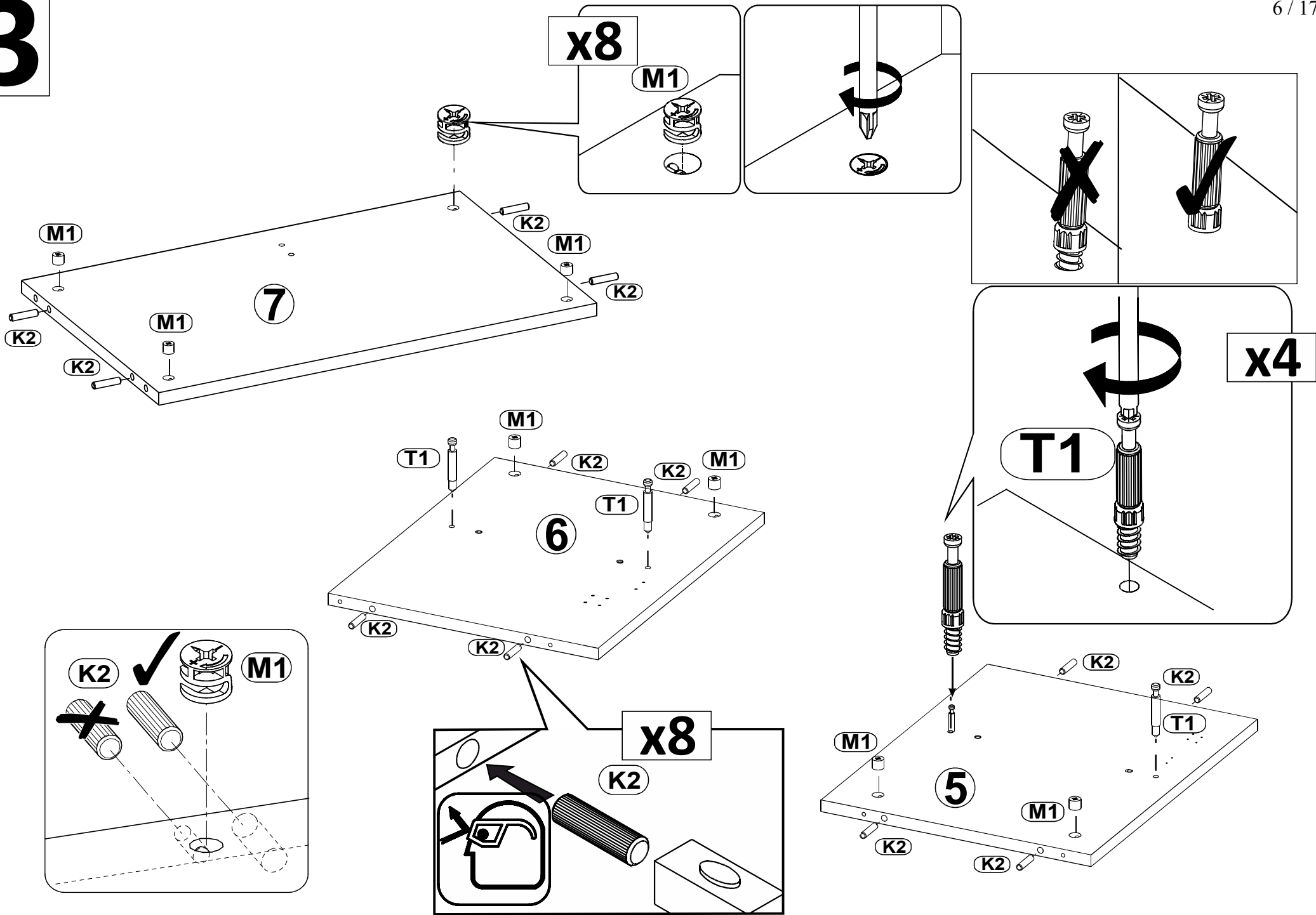
- | | |
|--|---|
| <p>X1</p>  <p>x8</p> | <p>S2</p>  <p>3,5x13</p> <p>x16</p> |
|--|---|

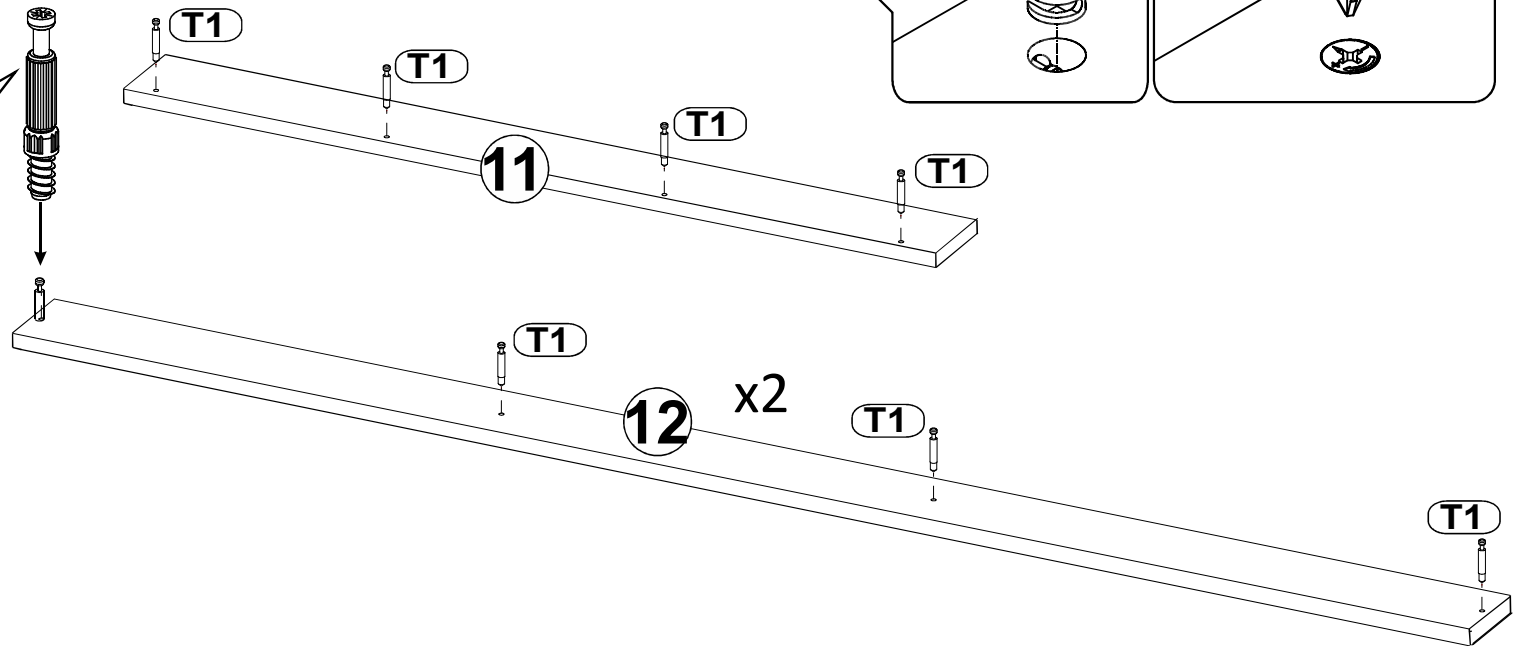
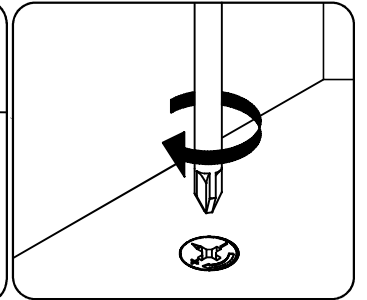
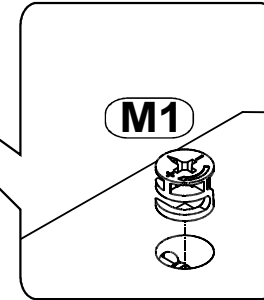
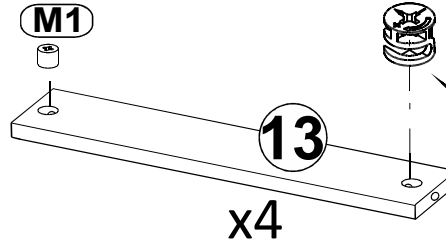
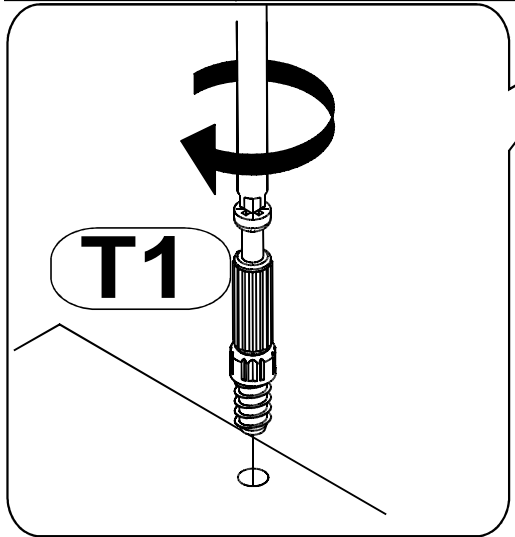
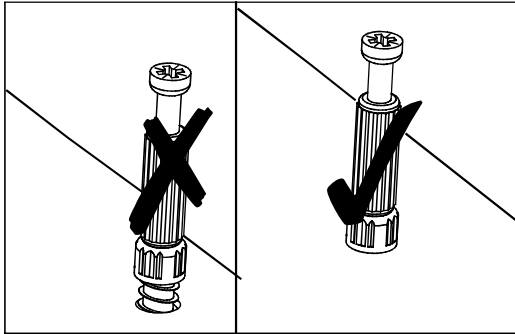
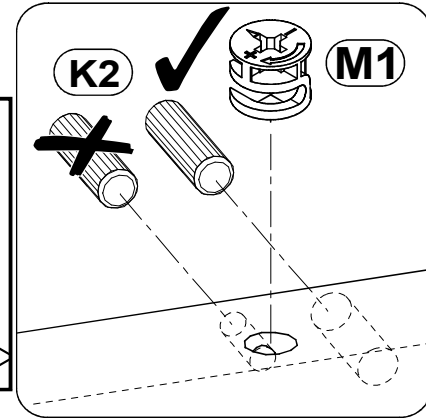
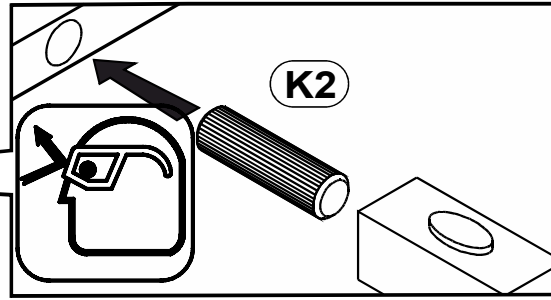
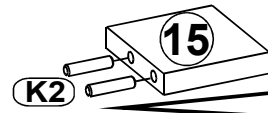
1

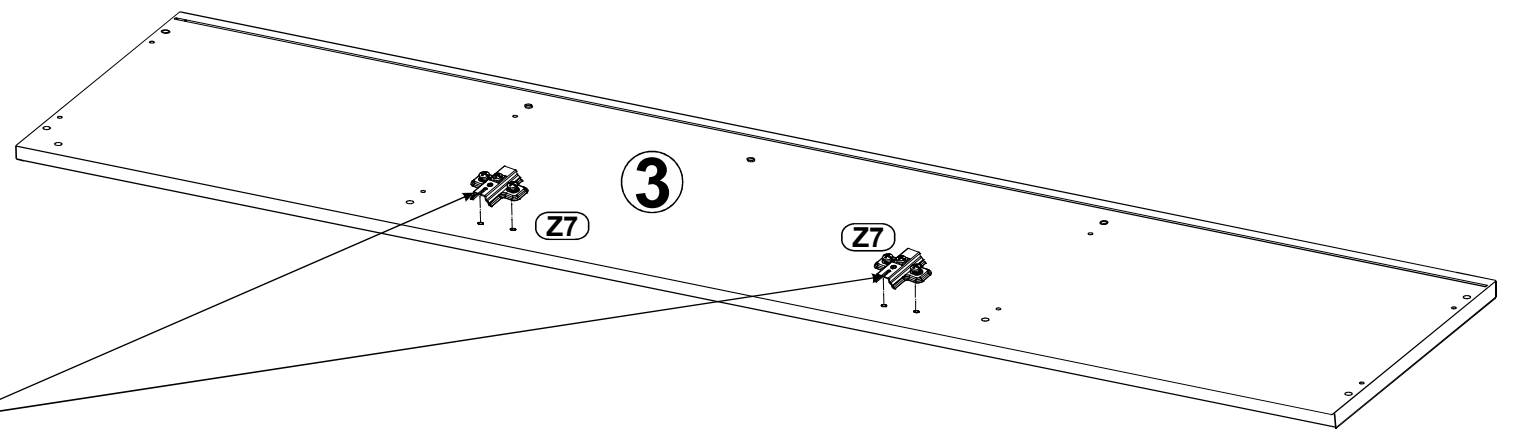
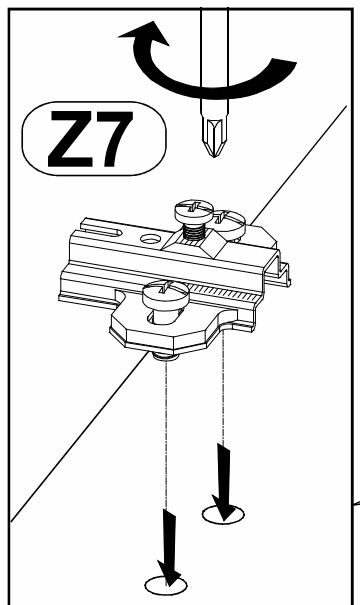
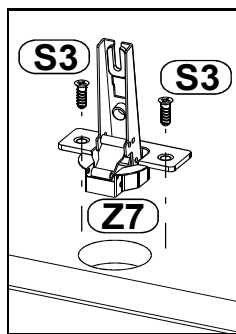
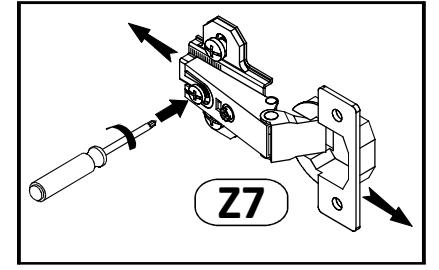
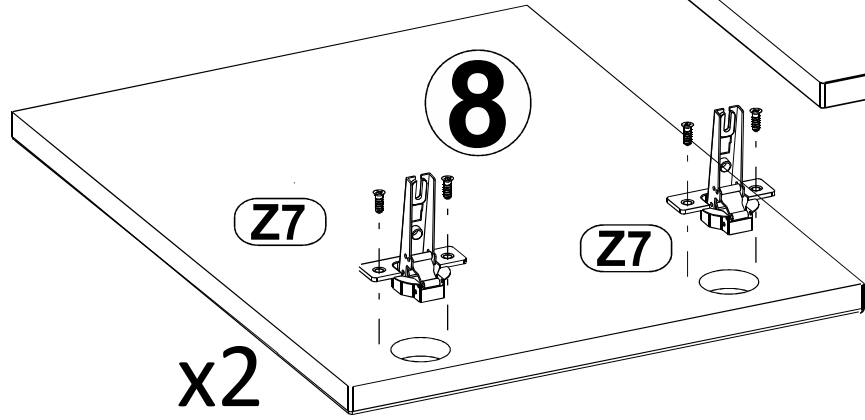
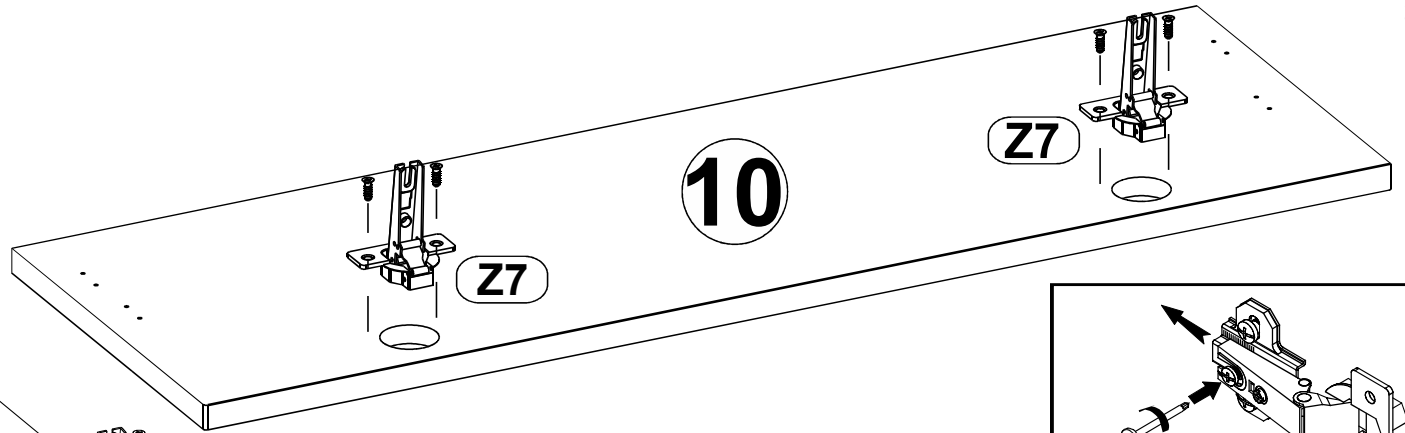


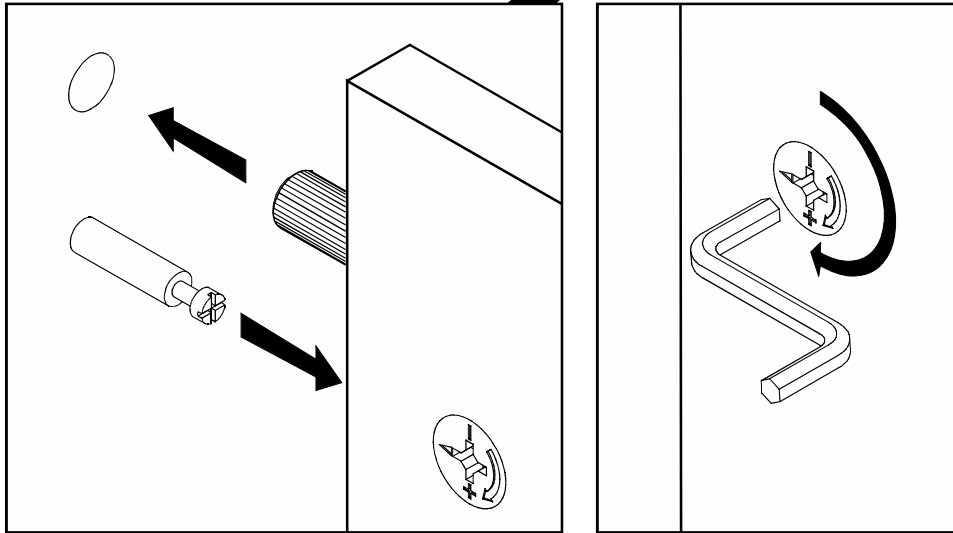
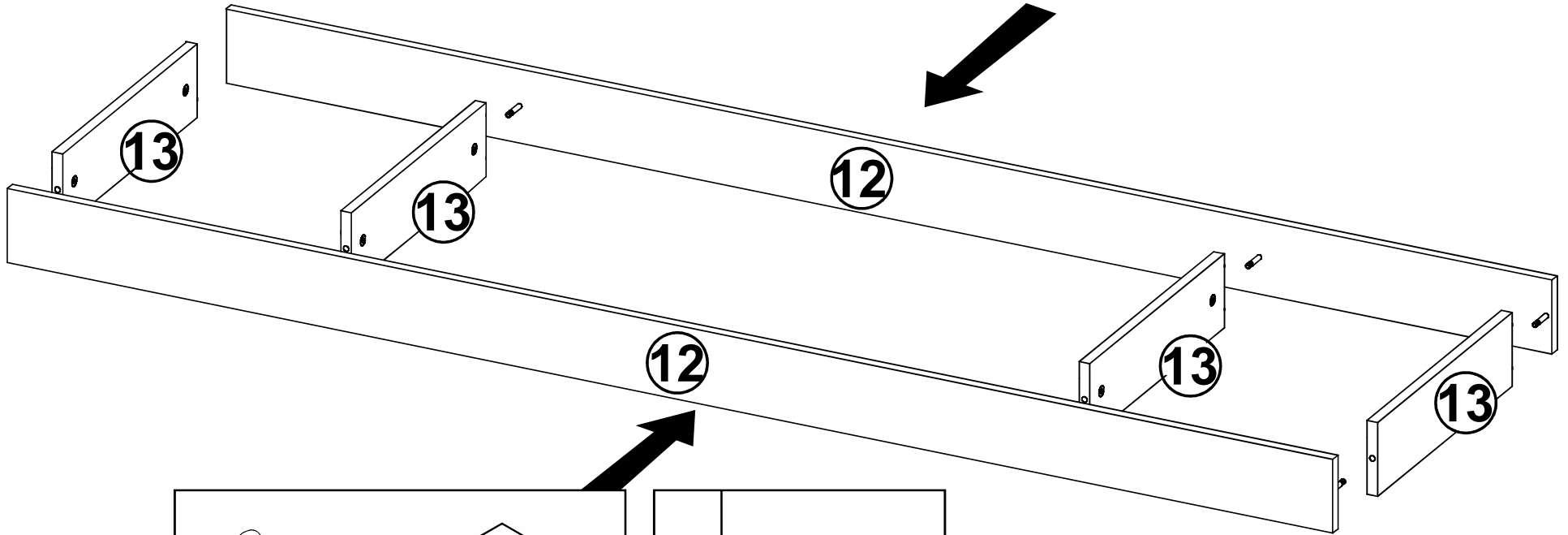
2



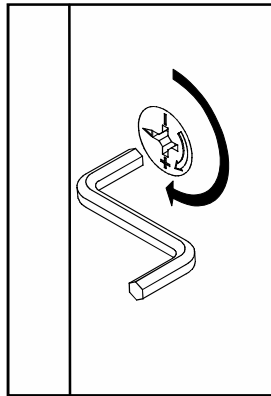
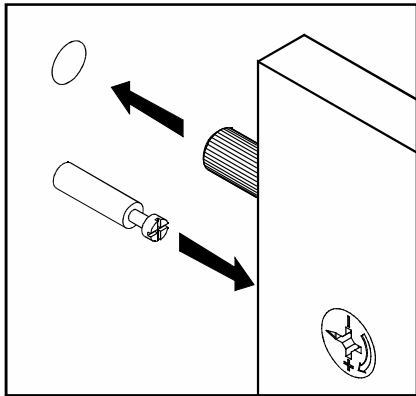
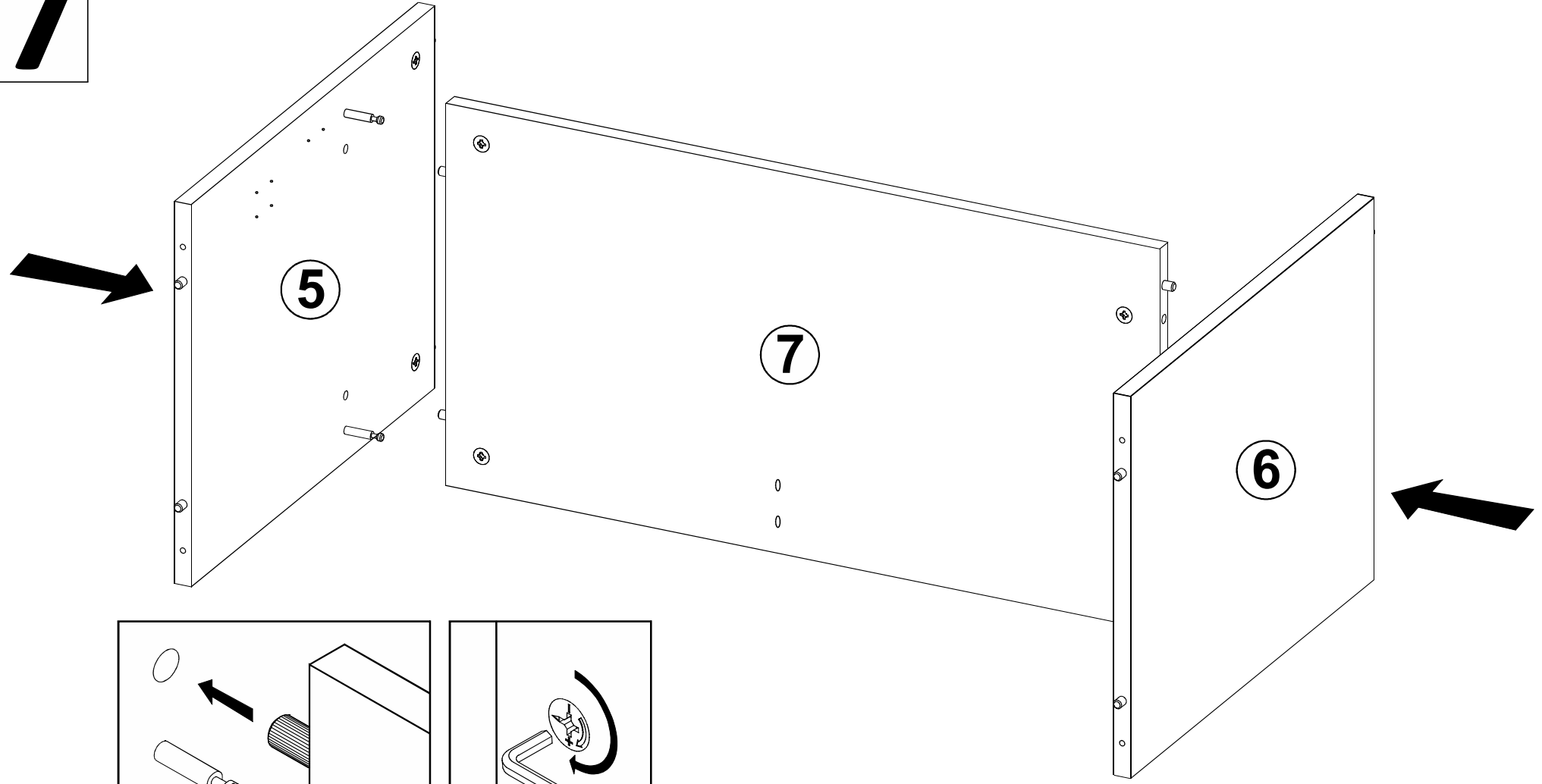




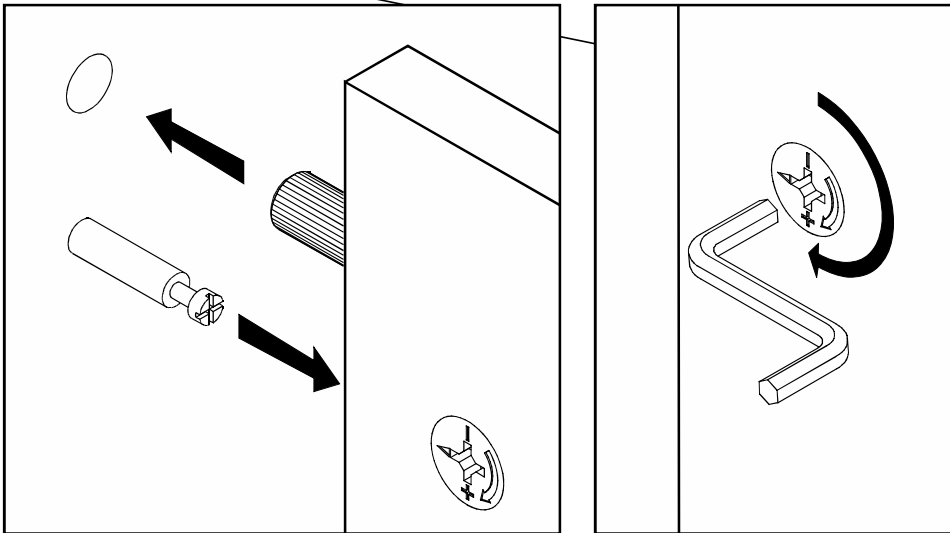
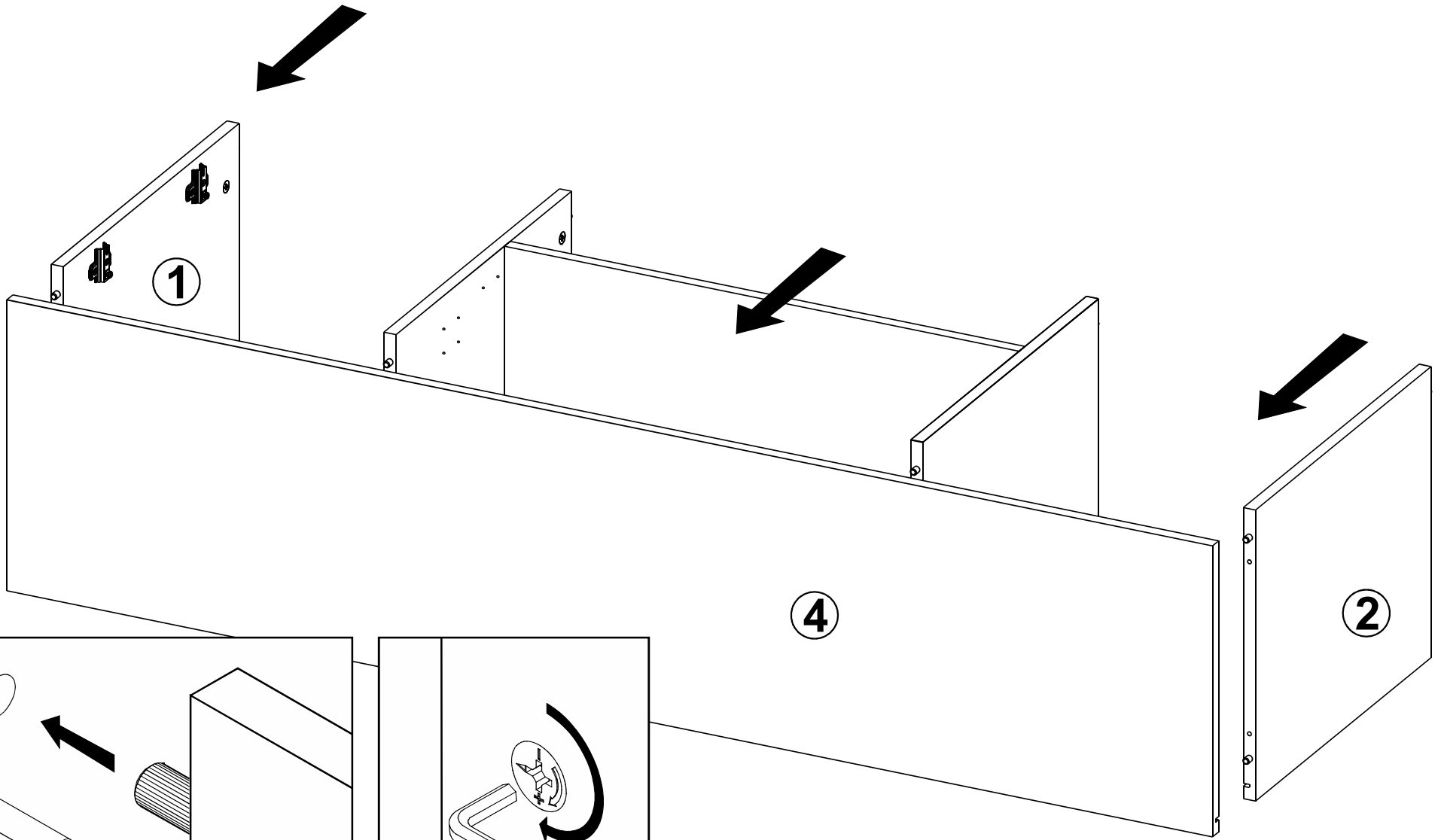




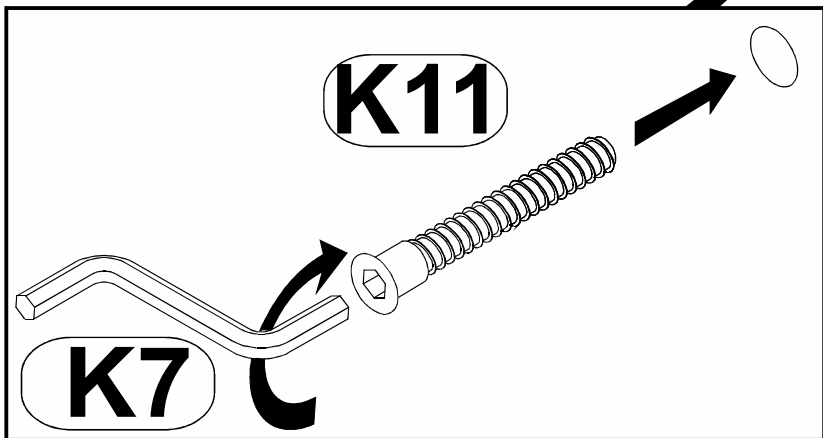
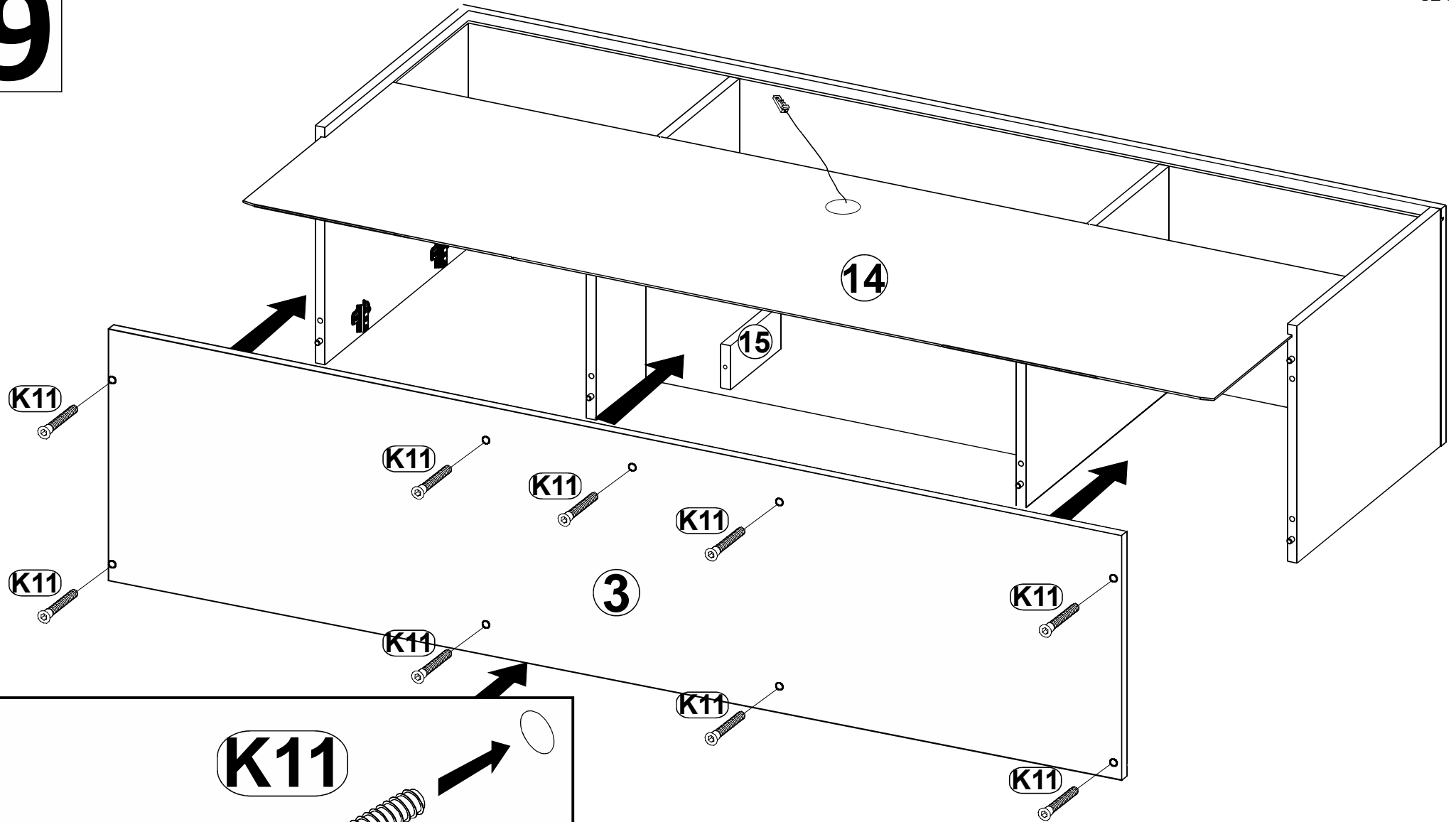
7



8

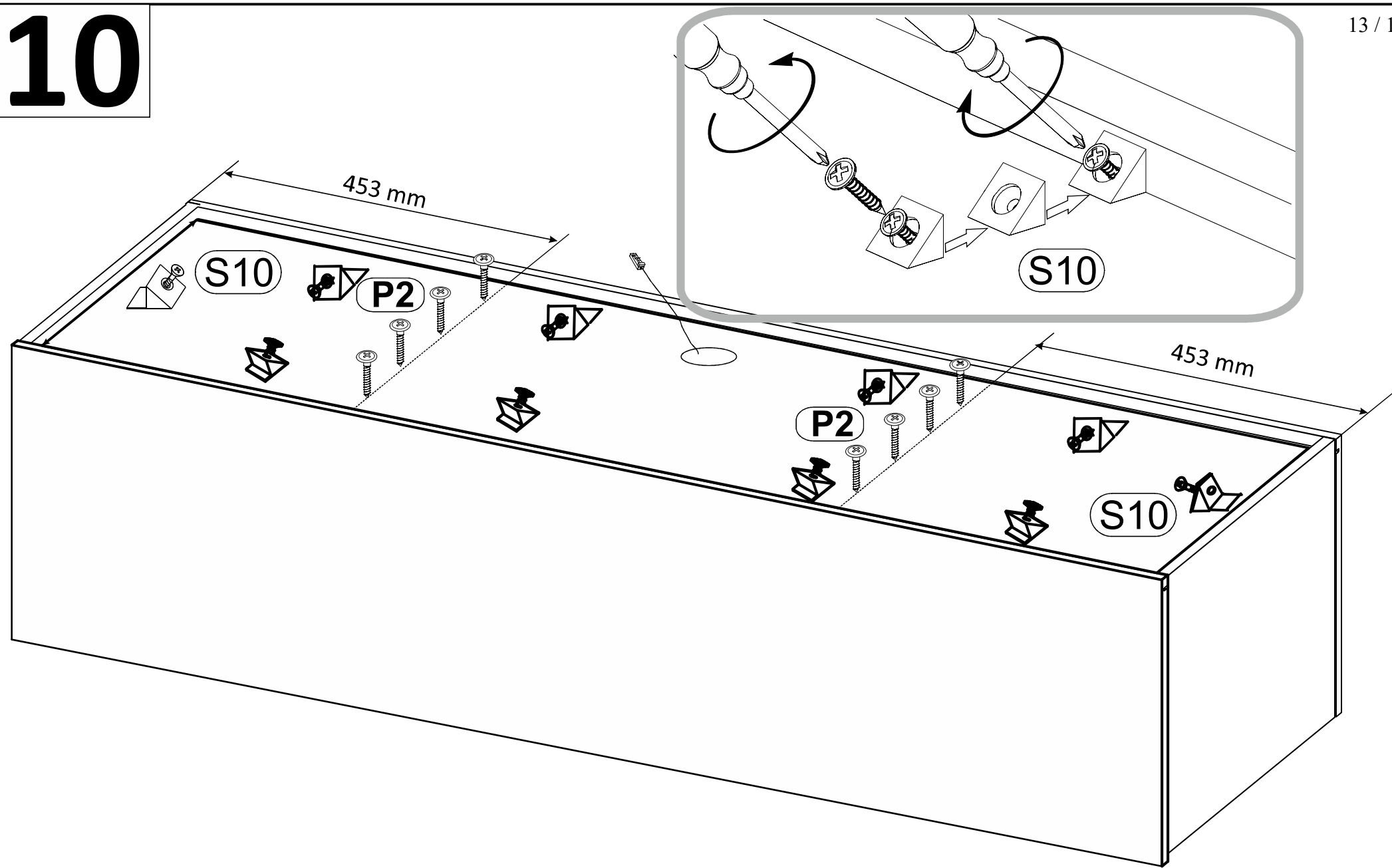


9

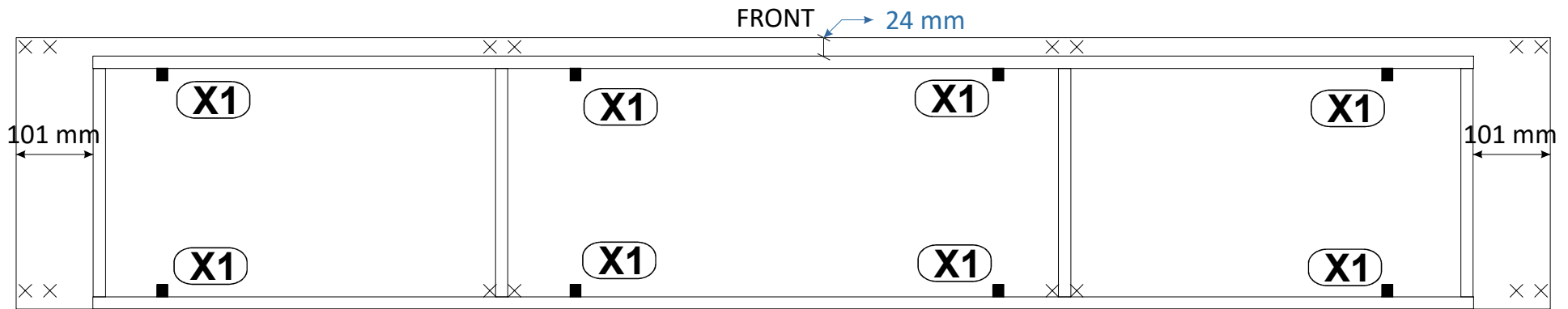
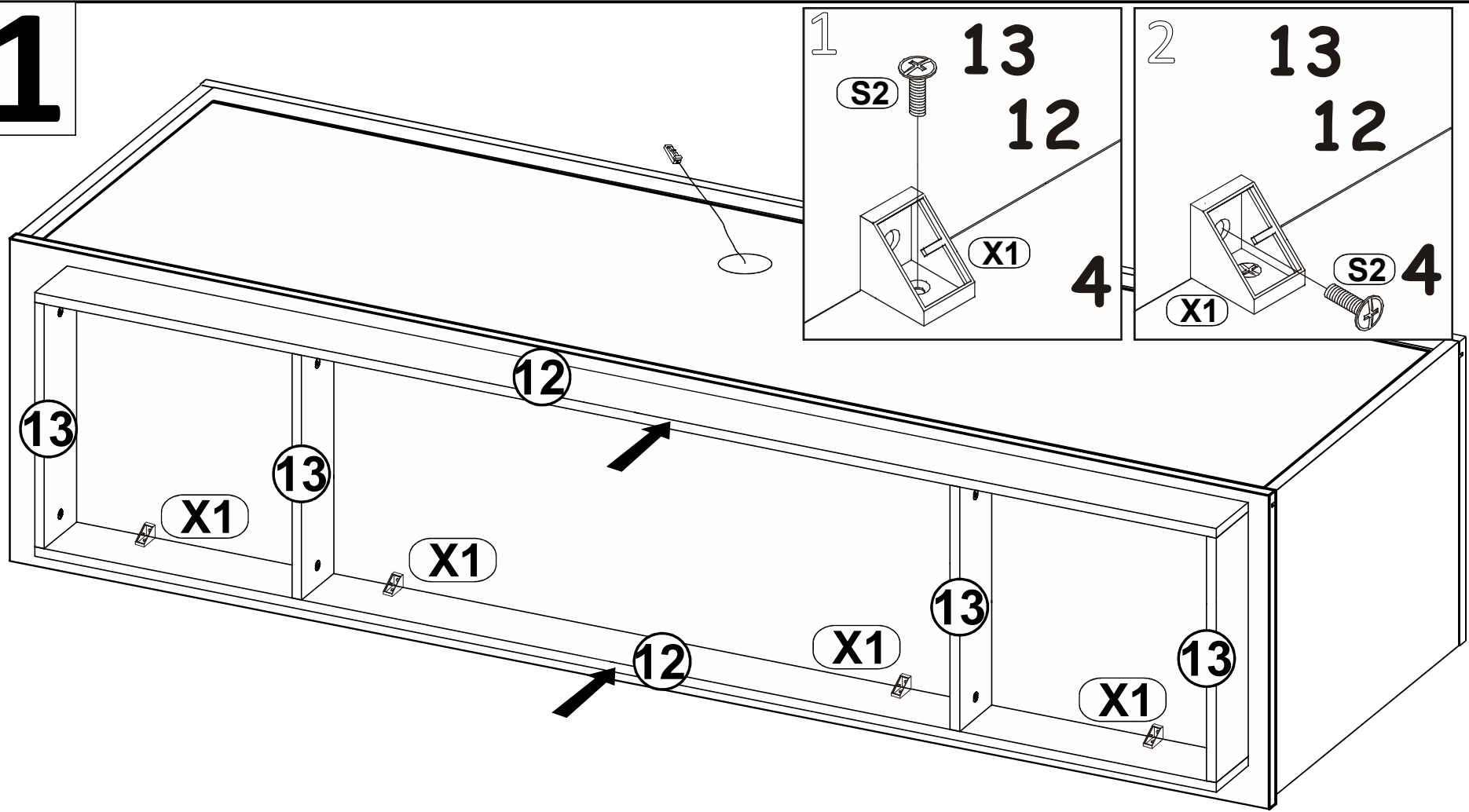


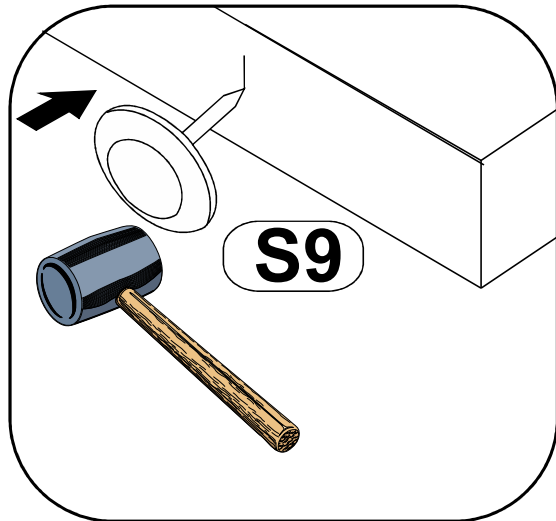
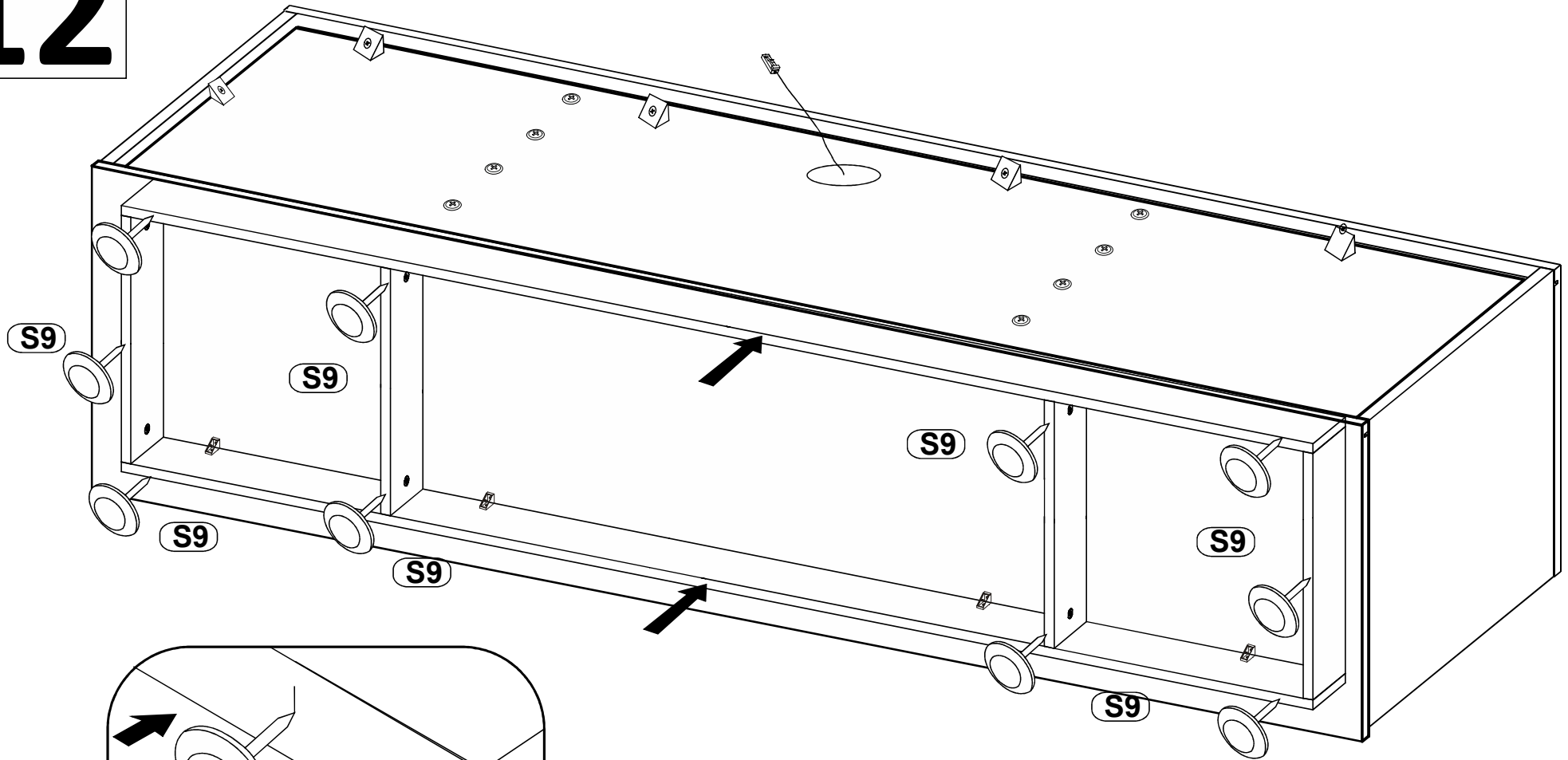
10

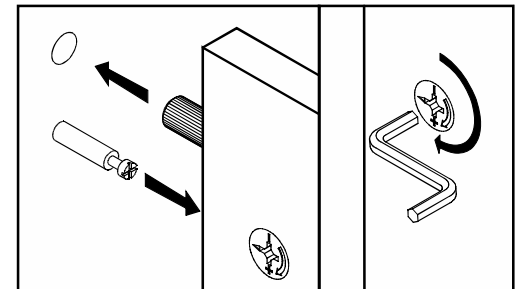
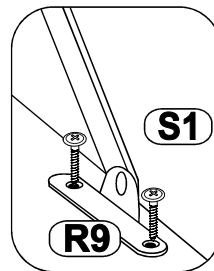
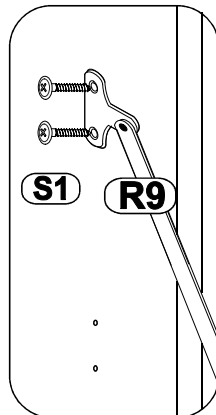
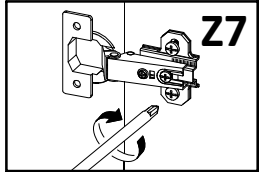
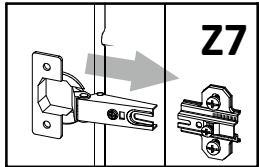
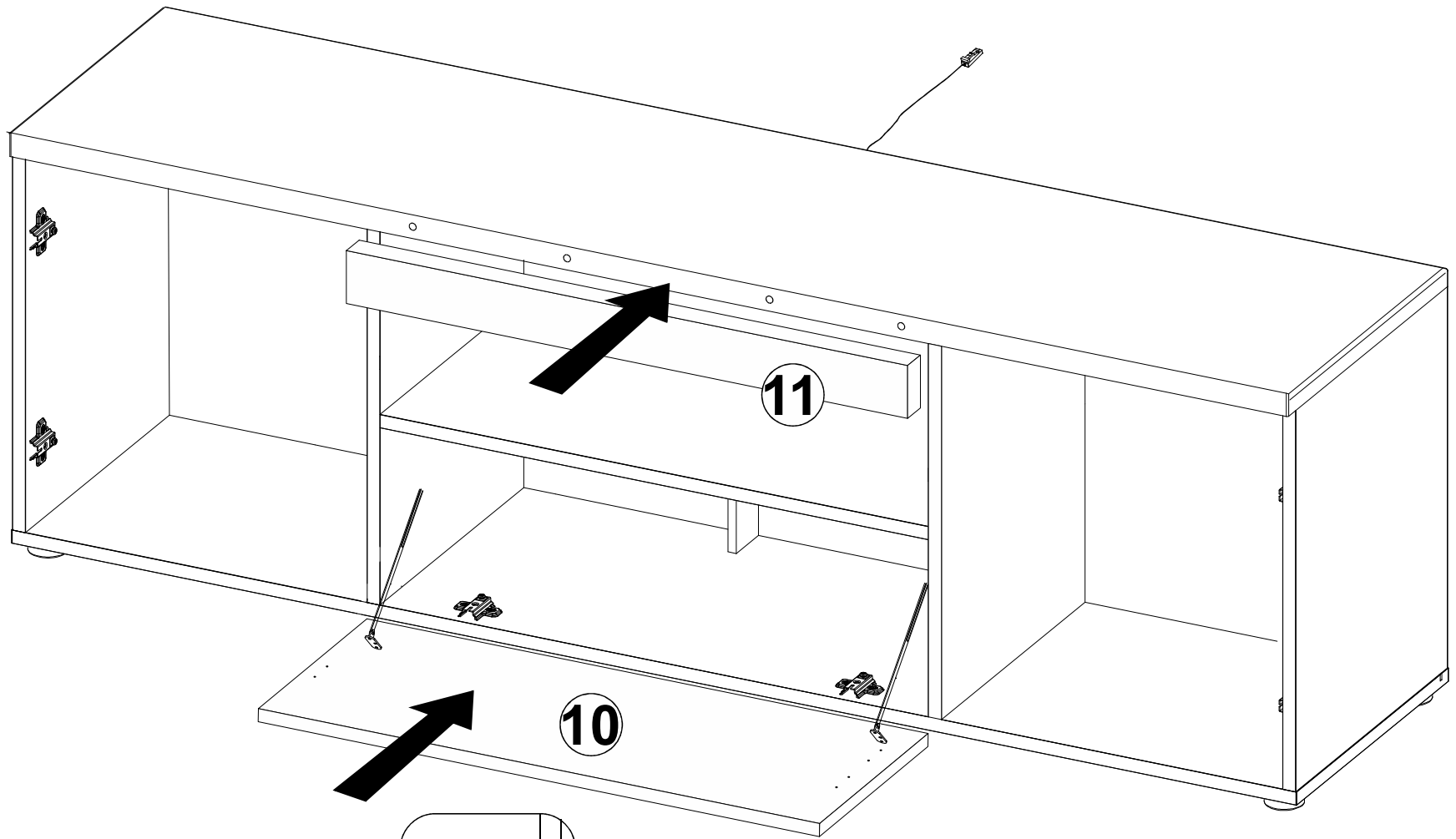
13 / 17



11







14

17 / 17

