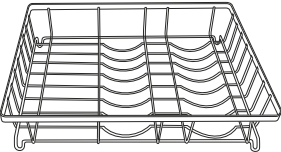
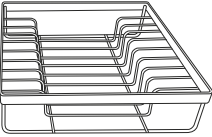
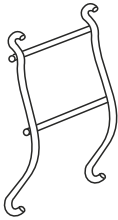
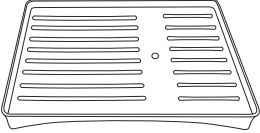

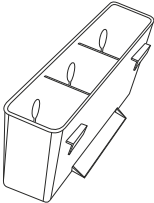
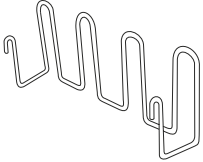


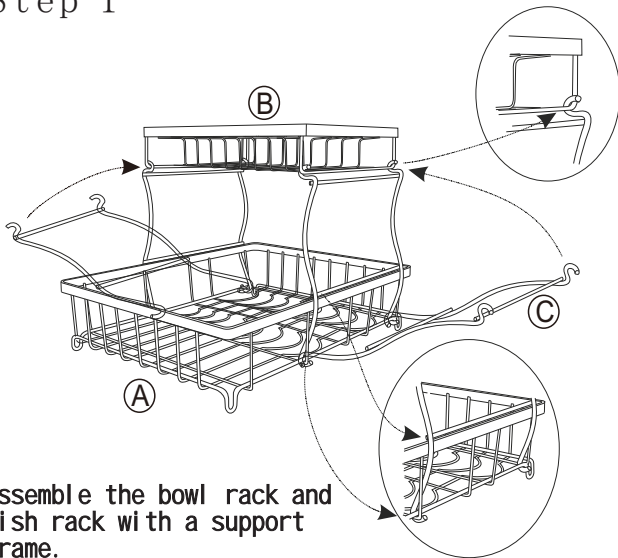
# DISH RACK INSTALLATION INSTRUCTIONS

## Accessories list

<p>Ⓐ Rack</p>  <p>1PC</p>	<p>Ⓑ Dish rack</p>  <p>1PC</p>	<p>Ⓒ Bracket</p>  <p>2PC</p>	
<p>Ⓓ Water tray</p>  <p>1PC</p>	<p>Ⓔ Drain</p>  <p>1PC</p>	<p>Ⓕ Chopstick barrel</p>  <p>1PC</p>	<p>Ⓖ Cup holder</p>  <p>1PC</p>

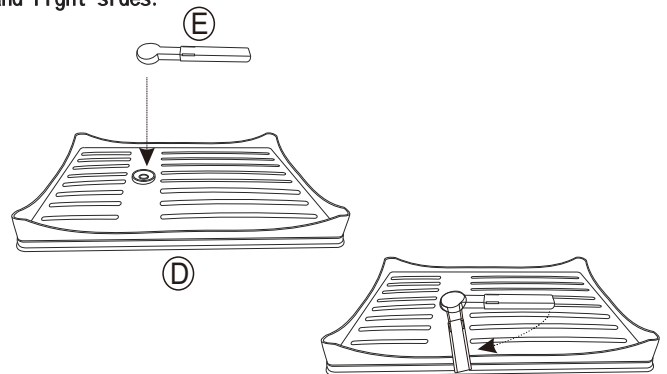
## Installation steps

### Step 1



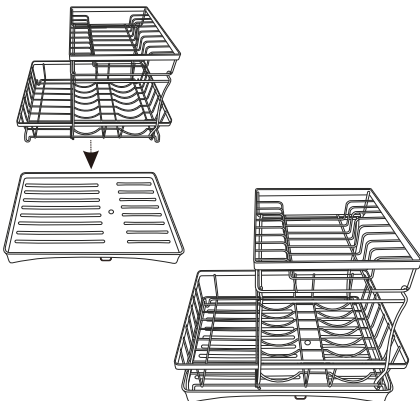
### Step 2

Align the drainage channel with the round hole behind the water tray and flatten it, and rotate it freely on the left and right sides.



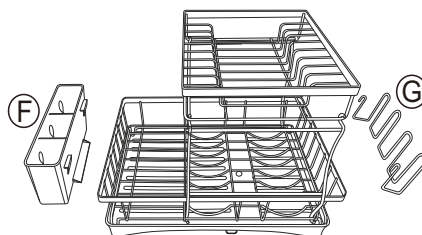
### Step 3

Put the assembled dish rack into the water tray.



### Step 4

The chopstick barrel and cup holder are stuck on the flat iron box of the bowl holder, or they can be conveniently stuck on the dish holder according to their own taking and putting things.



### Step 5

Installation is complete.

