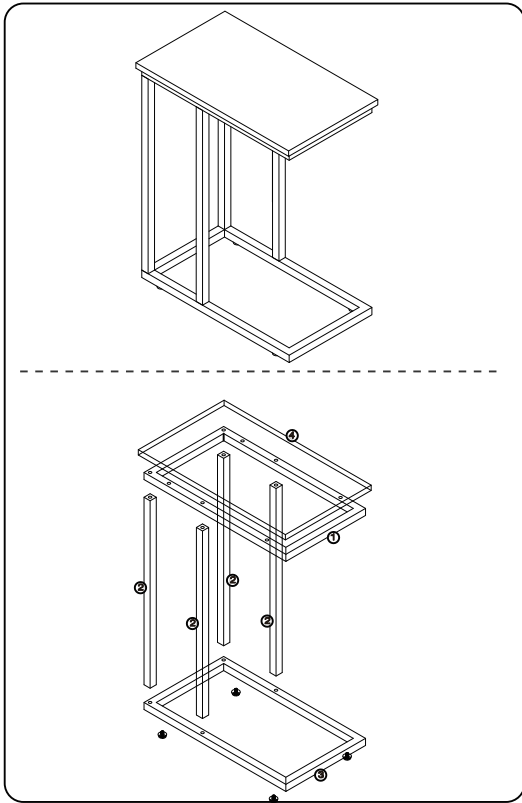
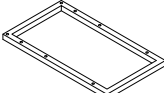

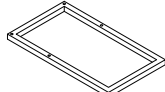
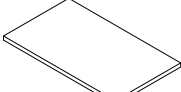
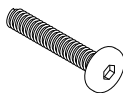
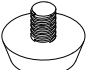



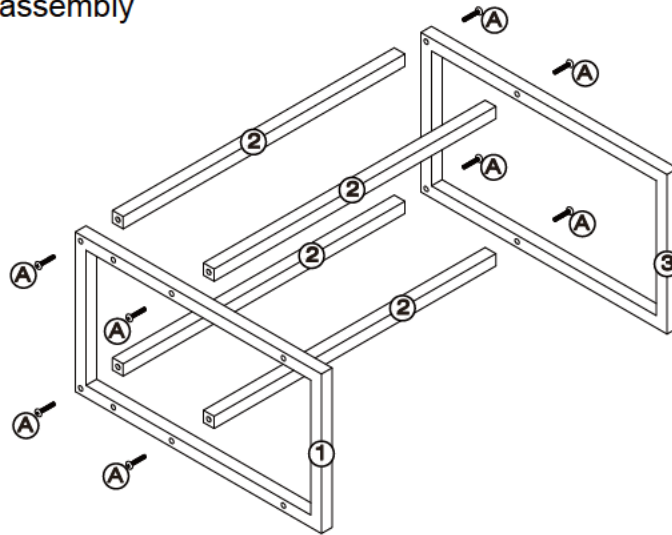
Assembly Instructions



1		1
2		4
3		1
4		1
A		12
B		4
C		1

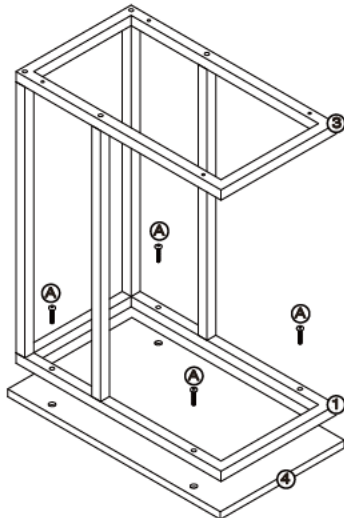
1 Top bottom frame assembly

 A×8



2 Top board assembly

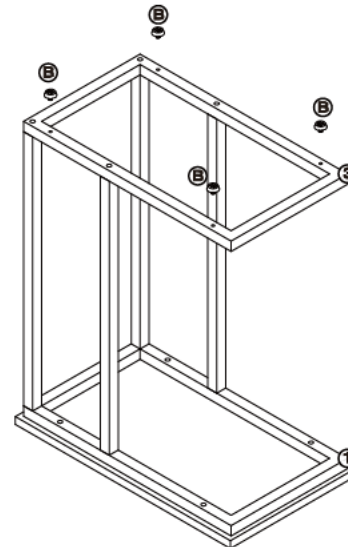
 A×4



Tips!
Reverse and assemble

3 Adjustment feet assembly

 B×4



4 Check and tighten all screws

