

ASSEMBLY INSTRUCTION


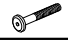




Read this instruction carefully. Remove all wrapping material, staples and straps from the carton. See hardware and furniture part list

For guidance. Be sure you have all wooden furniture parts on a clean and flat soft surface, such as a carpet or rug, to prevent from being scratched. Follow the figure to start assembling.

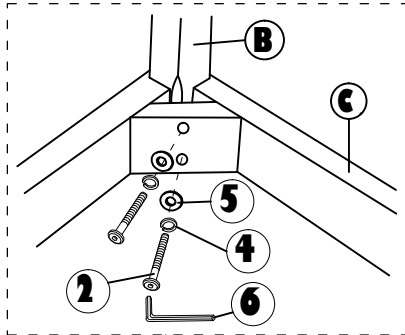
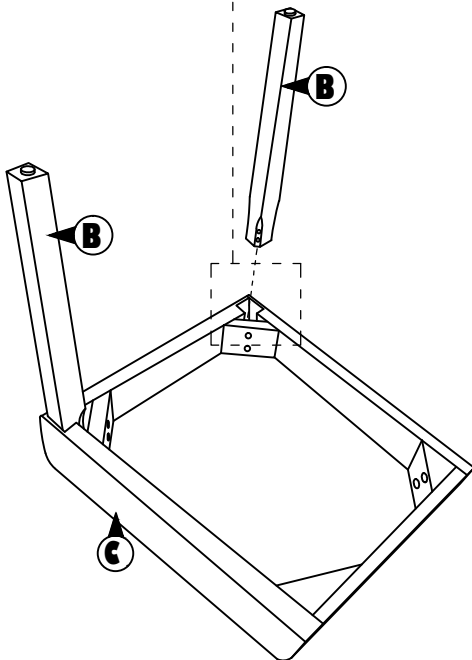
CAUTION :

1. Do not FULLY - TIGHTEN the nut or screw untill all is ready to assemble.
2. Do not OVER - TIGHTEN the nut or screw to avoid causing damages to the thread.
3. Keep all hardware part out reach of children.

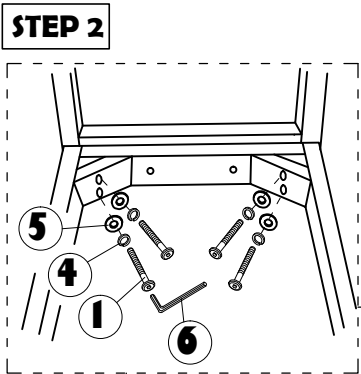
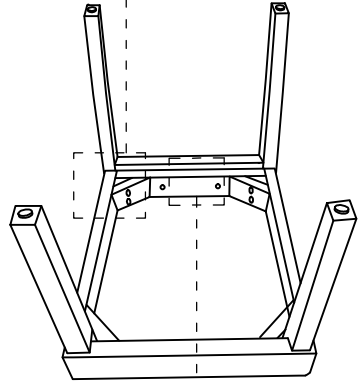
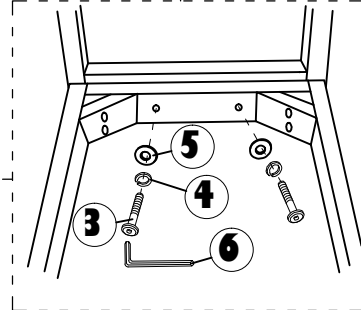
NO	PART LIST	QTY
A	BACK REST	1 PC
B	FRONT LEG	2 PCS
C	BOX SEAT	1 PC

NO	DESCRIPTION	QTY
1	JCBC SCREW M6 X 80MM 	4 PCS
2	JCBC SCREW M6 X 50MM 	4 PCS
3	JCBC SCREW M6 X 45MM 	2 PCS
4	SPRNG WASHER 	10 PCS
5	FLAT WASHER 	10 PCS
6	M4 ALLEN KEY 	1 PC

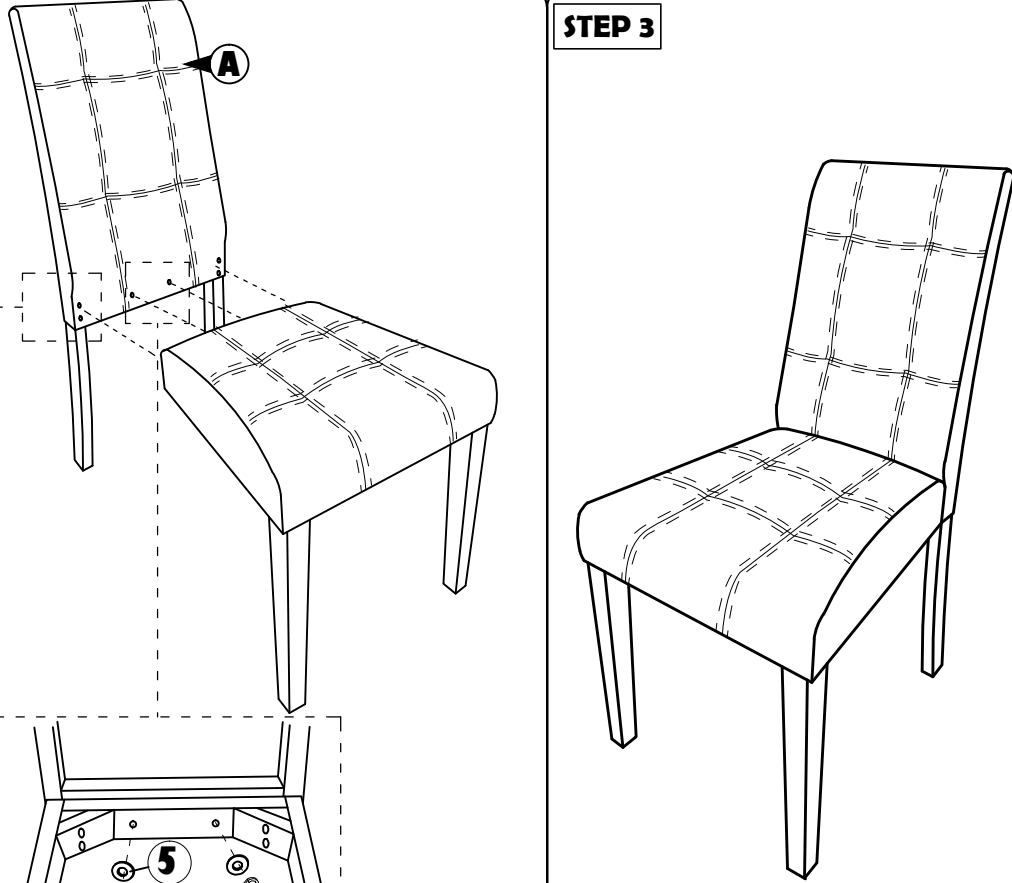
STEP 1

STEP 2

STEP 3



COMPELETE ASSEMBLE