




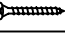






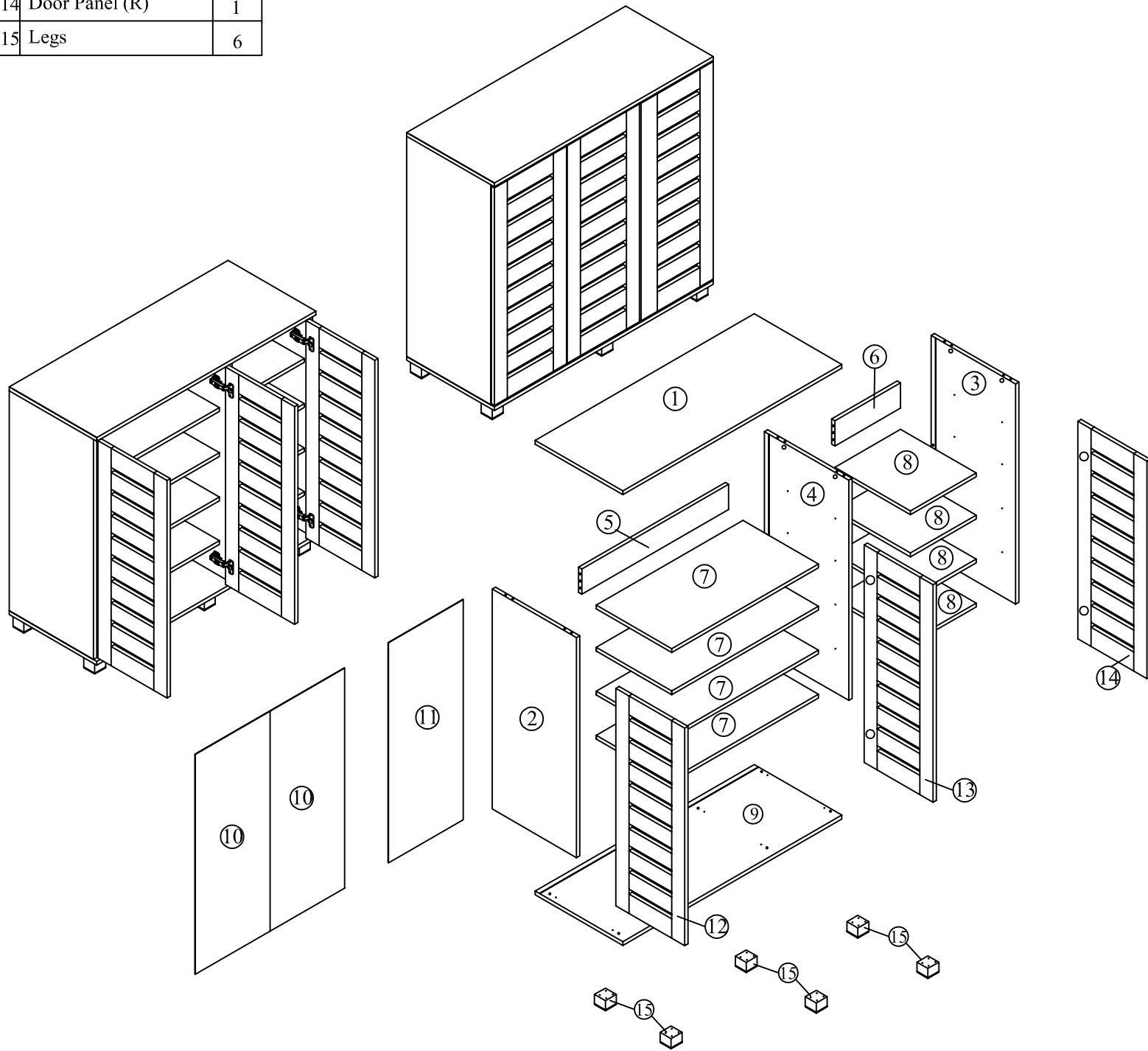


Assembly Instructions

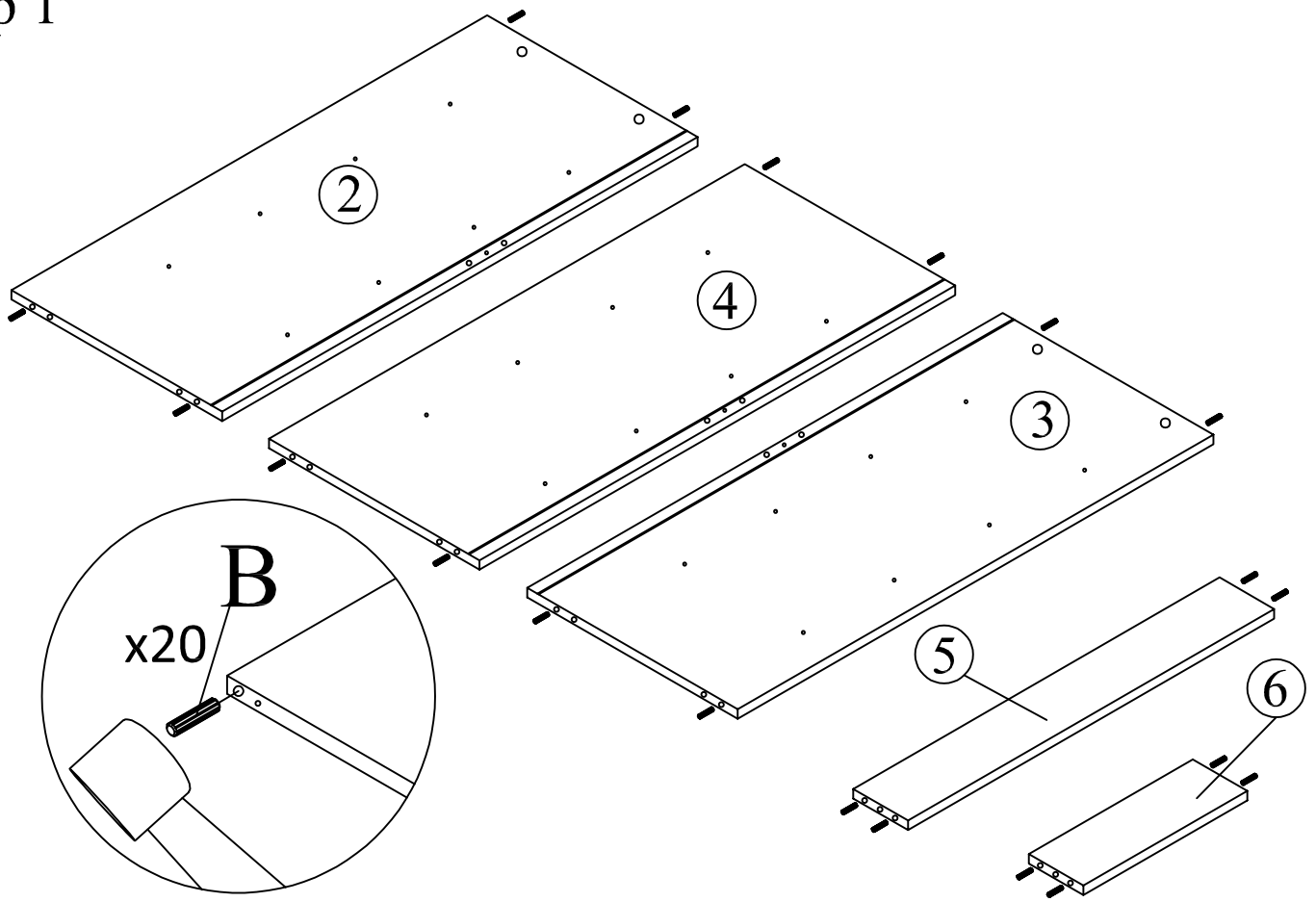
Model: RZ 1018-SC

Part List	QTY
1 Top Panel	1
2 Left Side Panel	1
3 Right Side Panel	1
4 Middle Panel	1
5 Back Support Panel (1)	1
6 Back Support Panel (2)	1
7 Shelf (L)	4
8 Shelf (R)	4
9 Bottom Panel	1
10 Back Panel (1)	2
11 Back Panel (2)	1
12 Door Panel (L)	1
13 Door Panel (Middle)	1
14 Door Panel (R)	1
15 Legs	6

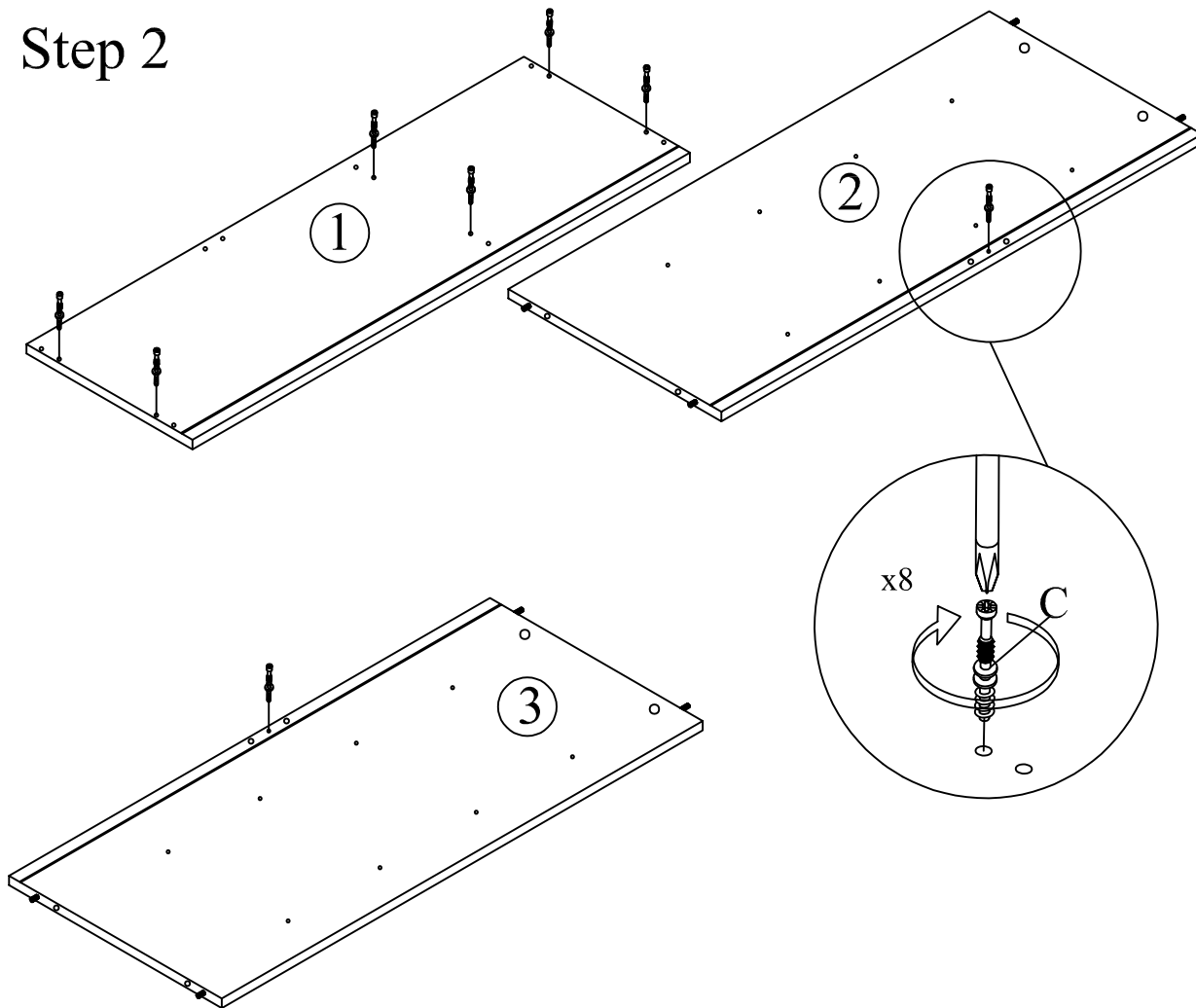
Hardware	QTY
A Allen Key 	1
B Dowel 	20
C Mini Fix Bolt 	10
D Mini Fix Housing 	10
E Mini Fix Cap 	10
F CSK Screw M3.5x16mm 	76
G Hinges 5/8 	4
H Hinges 2/8 	2
I JCBC W Screw M6x40 	6
J L Bracket 	8
K Shelf Support Metal 	32
L Stopper 	1



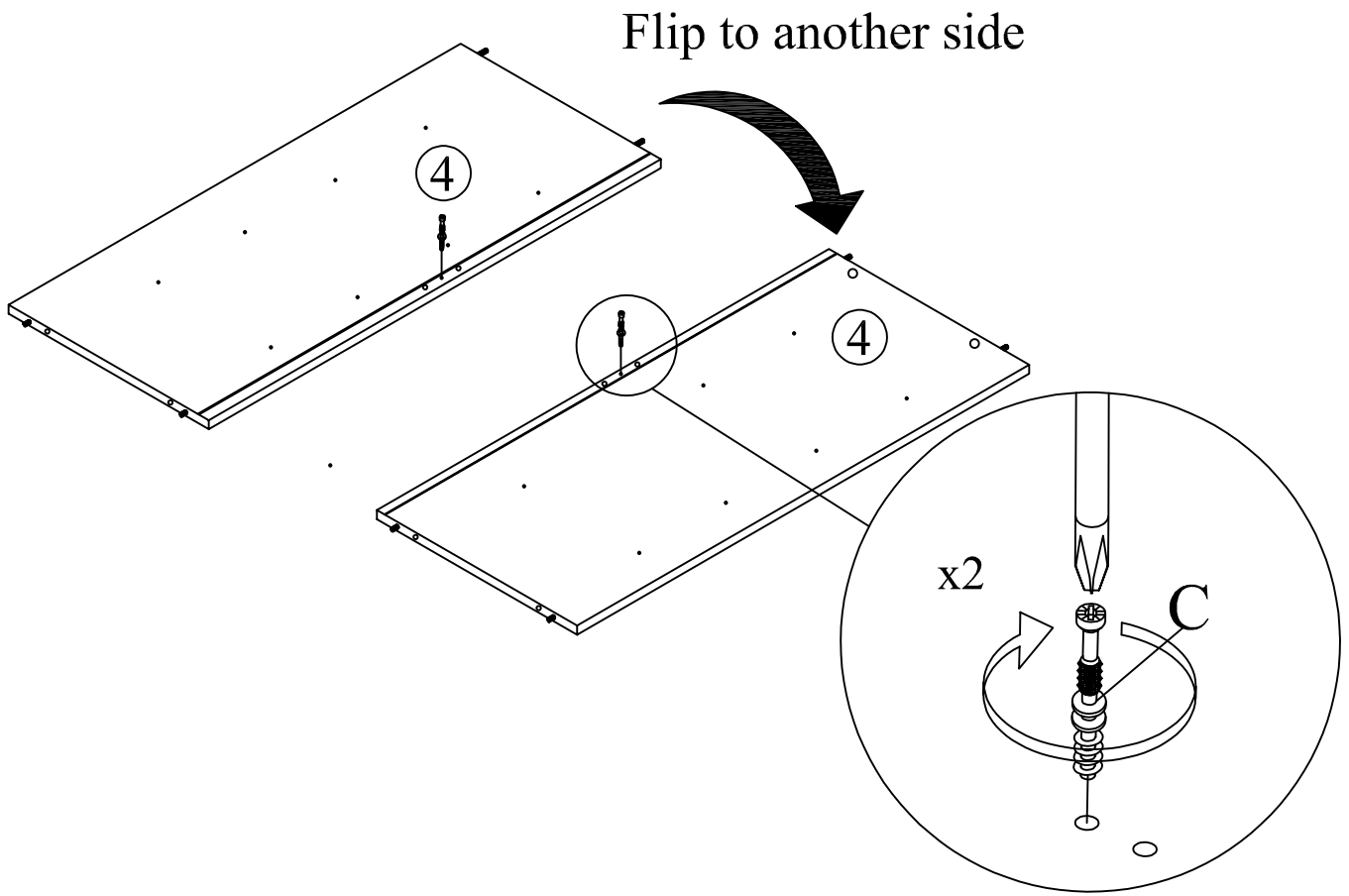
Step 1



Step 2

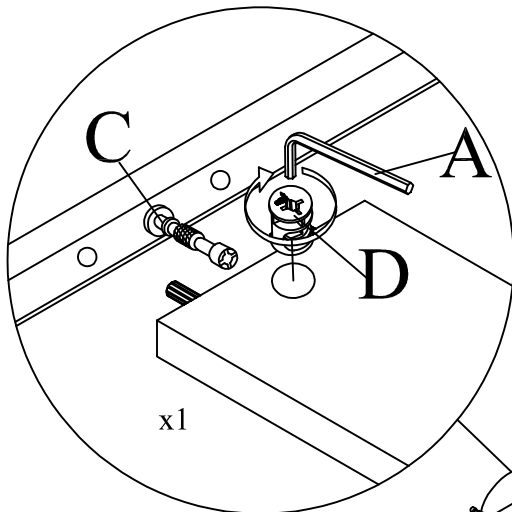


Step 3

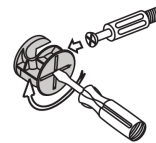


Step 4

Back View

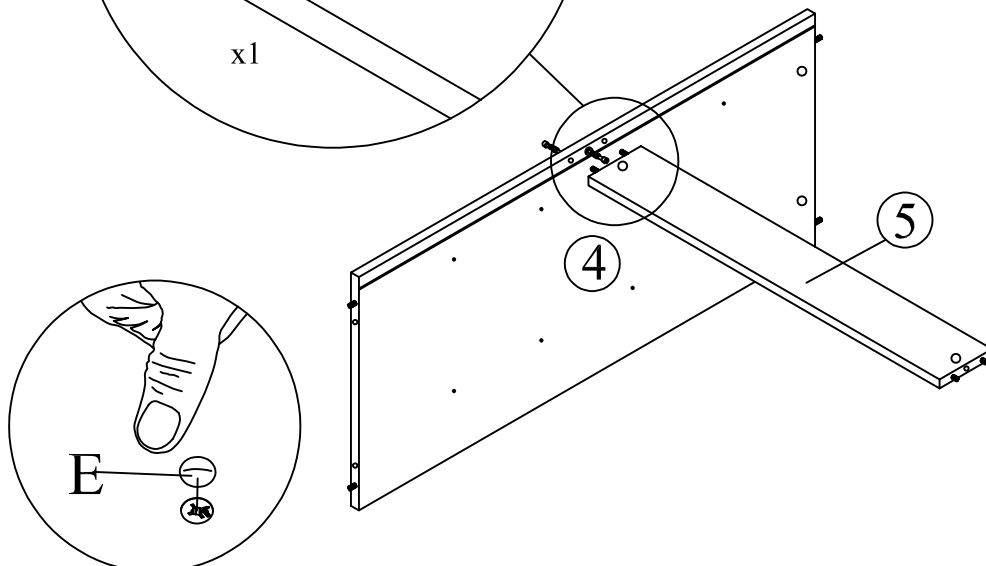


This is how a mini fix works...



The head of the mini fix housing goes into the open mouth of the mini fix bolt. You then turn the mini fix housing so it tightens over the mini fix bolt.

Part 5 to be assembled with rough edge facing down.



*Attach Minifix Cap as shown.

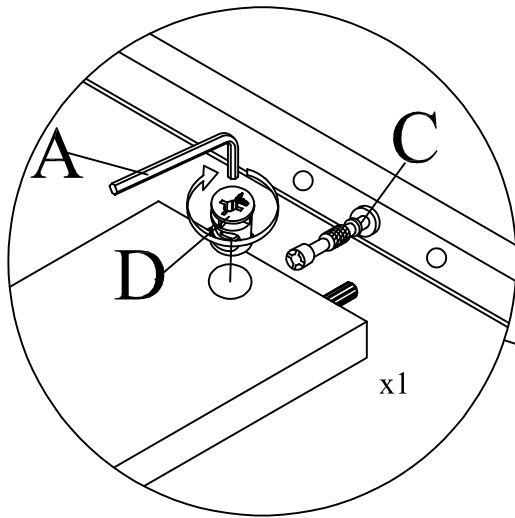
Step 5

Back View

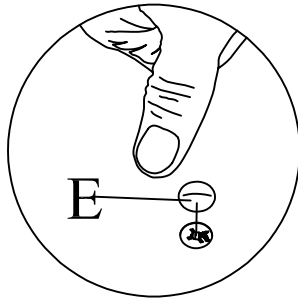
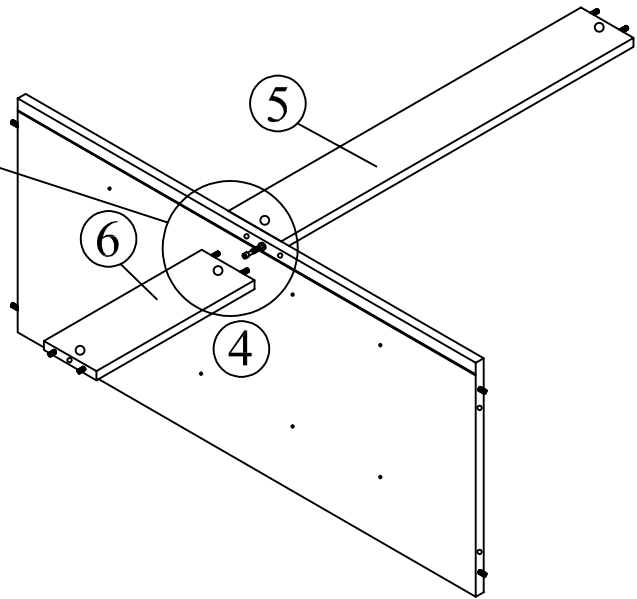
This is how a mini fix works...



The head of the mini fix housing goes into the open mouth of the mini fix bolt. You then turn the mini fix housing so it tightens over the mini fix bolt.



Part 6 to be assembled with rough edge facing down.

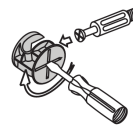


**Attach Minifix Cap as shown.*

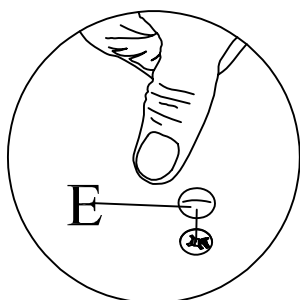
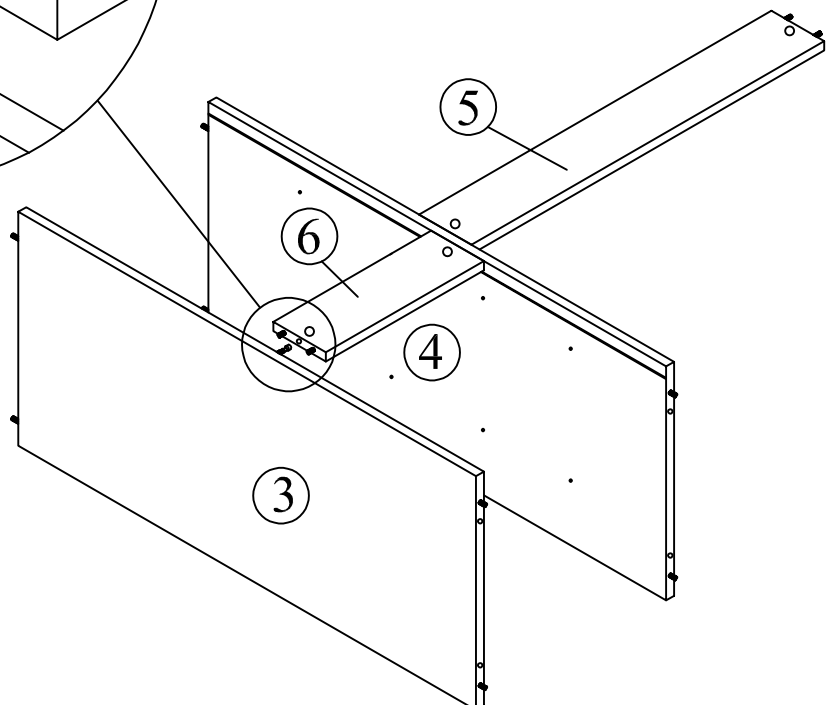
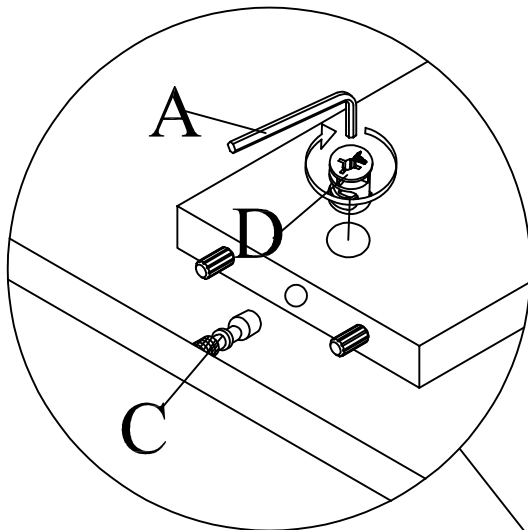
Step 6

Back View

This is how a mini fix works...



The head of the mini fix housing goes into the open mouth of the mini fix bolt. You then turn the mini fix housing so it tightens over the mini fix bolt.




**Attach Minifix Cap as shown.*

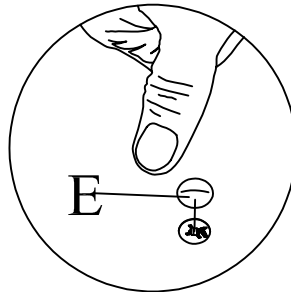
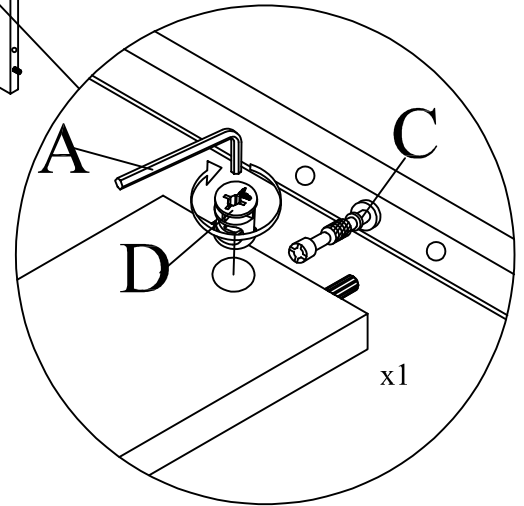
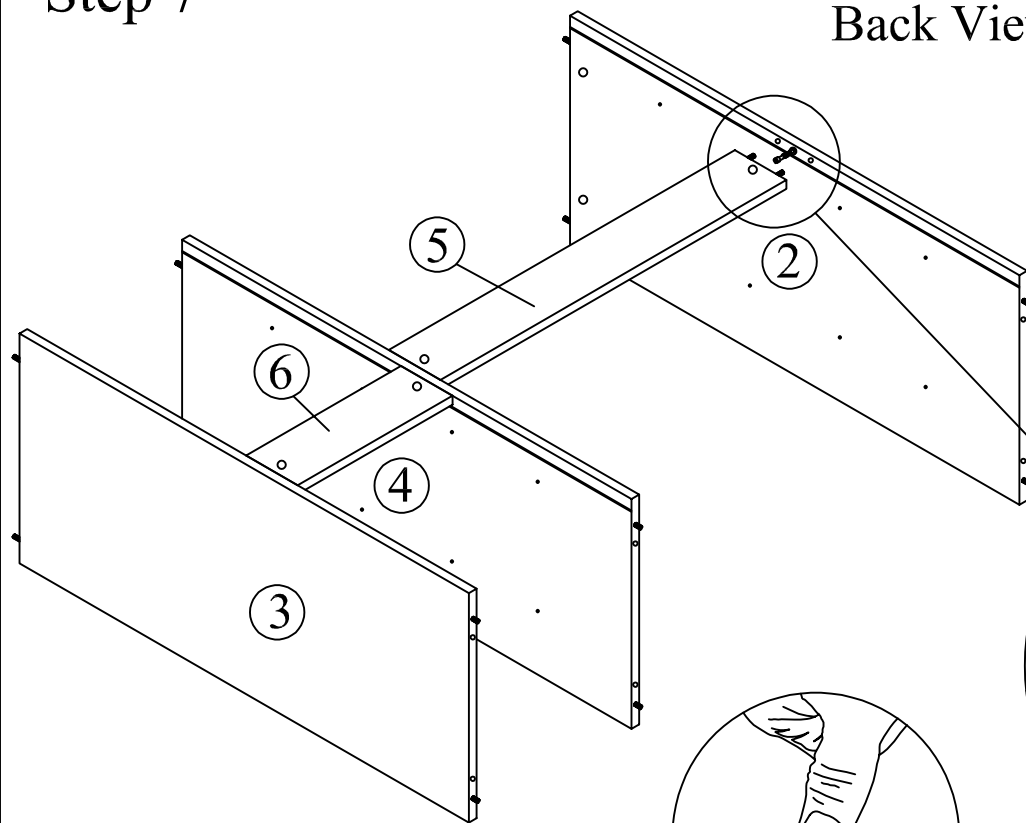
Step 7

Back View

This is how a mini fix works...

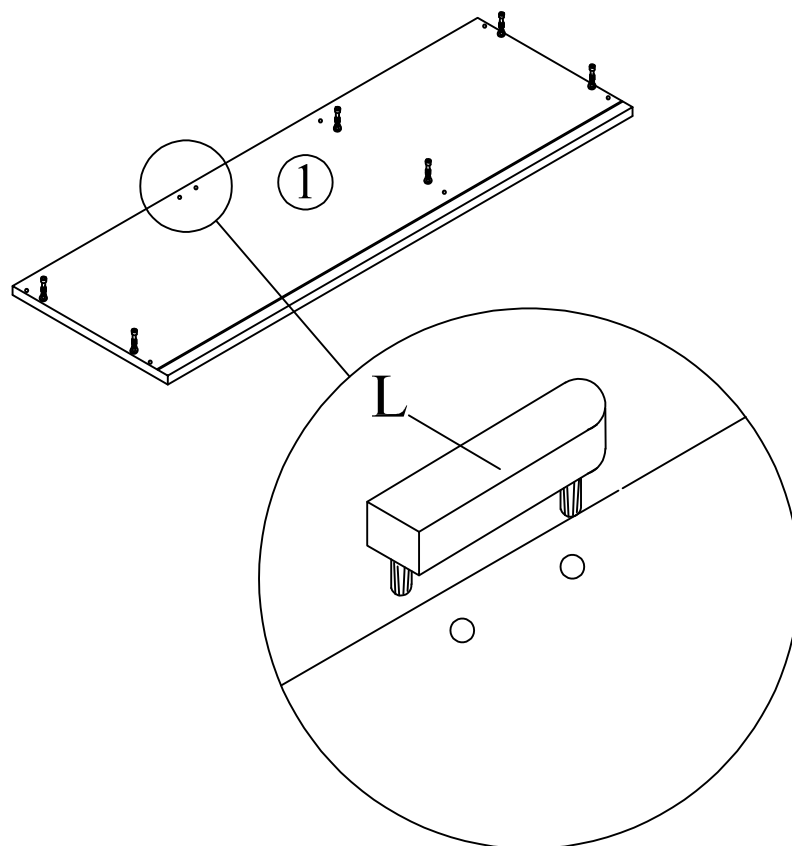


The head of the mini fix housing goes into the open mouth of the mini fix bolt. You then turn the mini fix housing so it tightens over the mini fix bolt.



**Attach Minifix Cap as shown.*

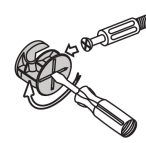
Step 8



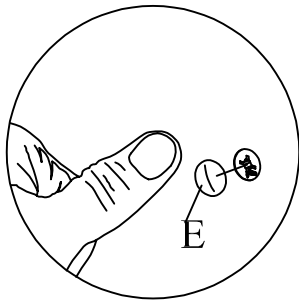
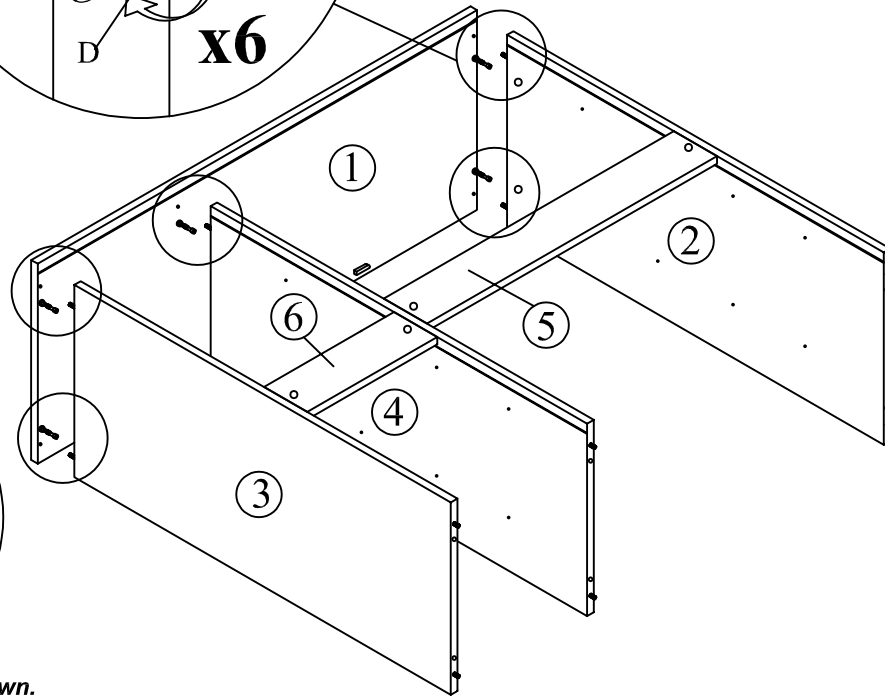
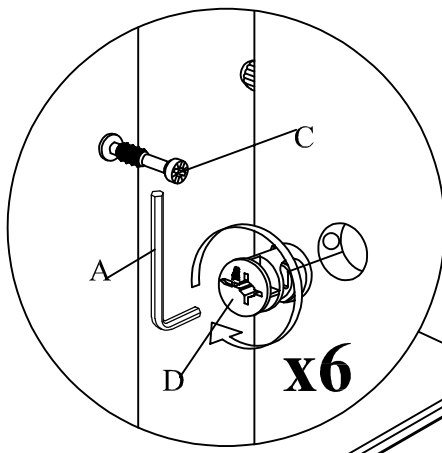
Step 9

Back View

This is how a mini fix works...



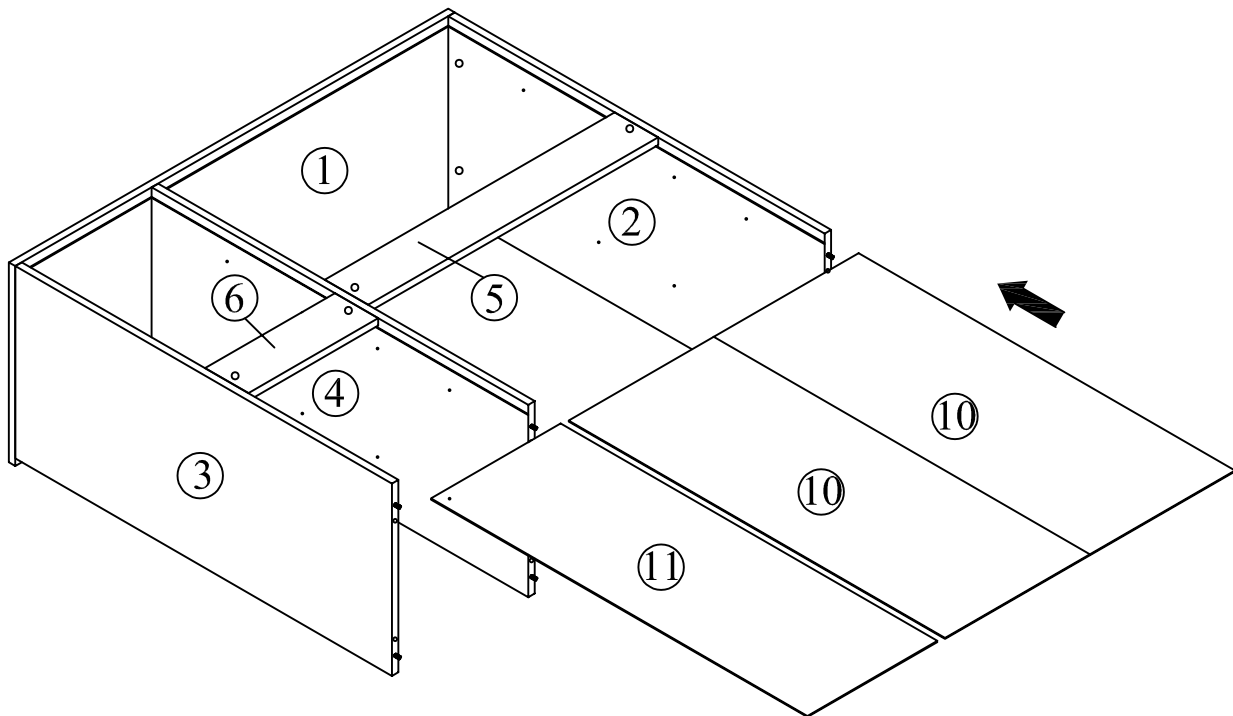
The head of the mini fix housing goes into the open mouth of the mini fix bolt. You then turn the mini fix housing so it tightens over the mini fix bolt.



*Attach Minifix Cap as shown.

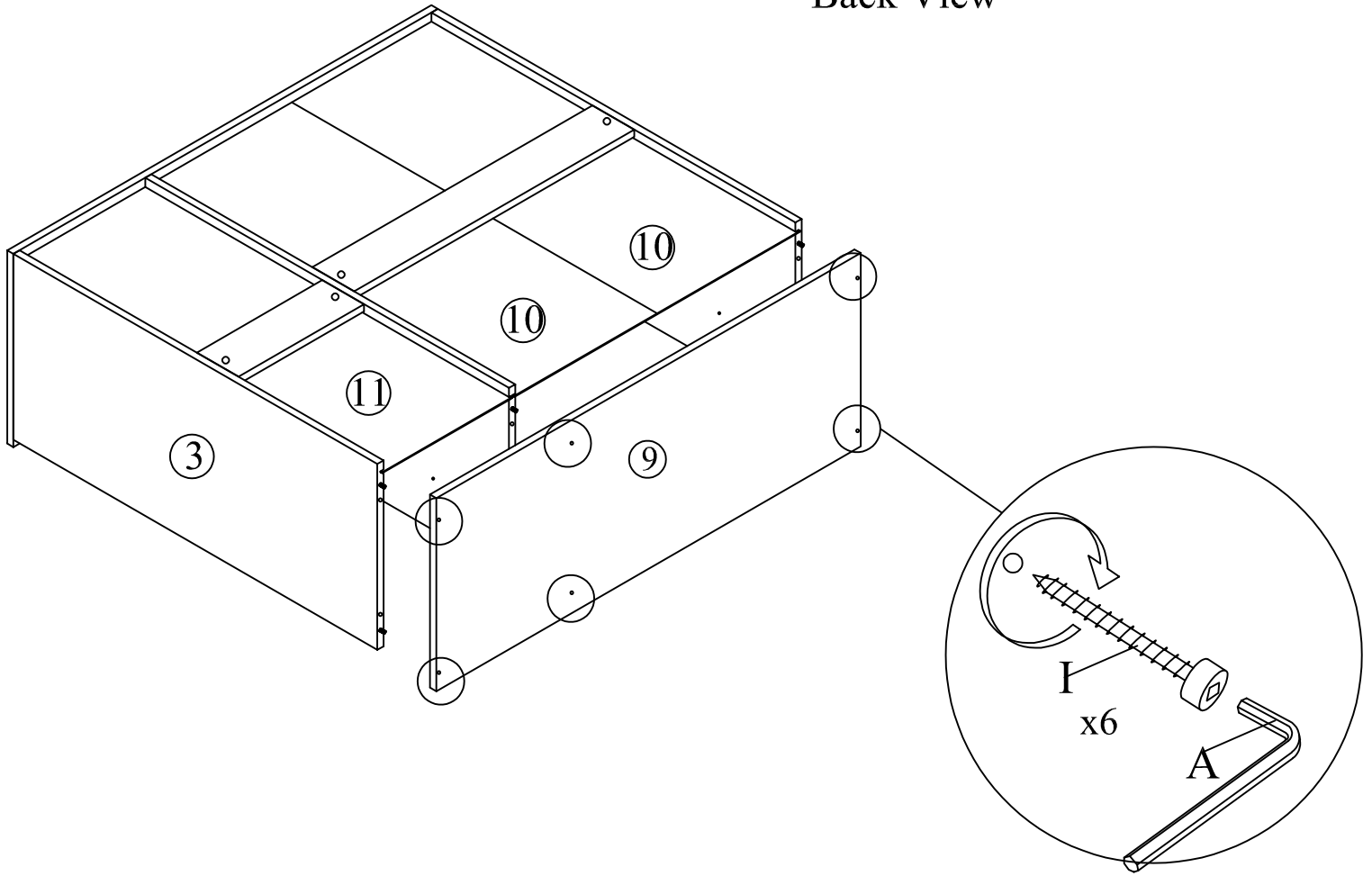
Step 10

Back View



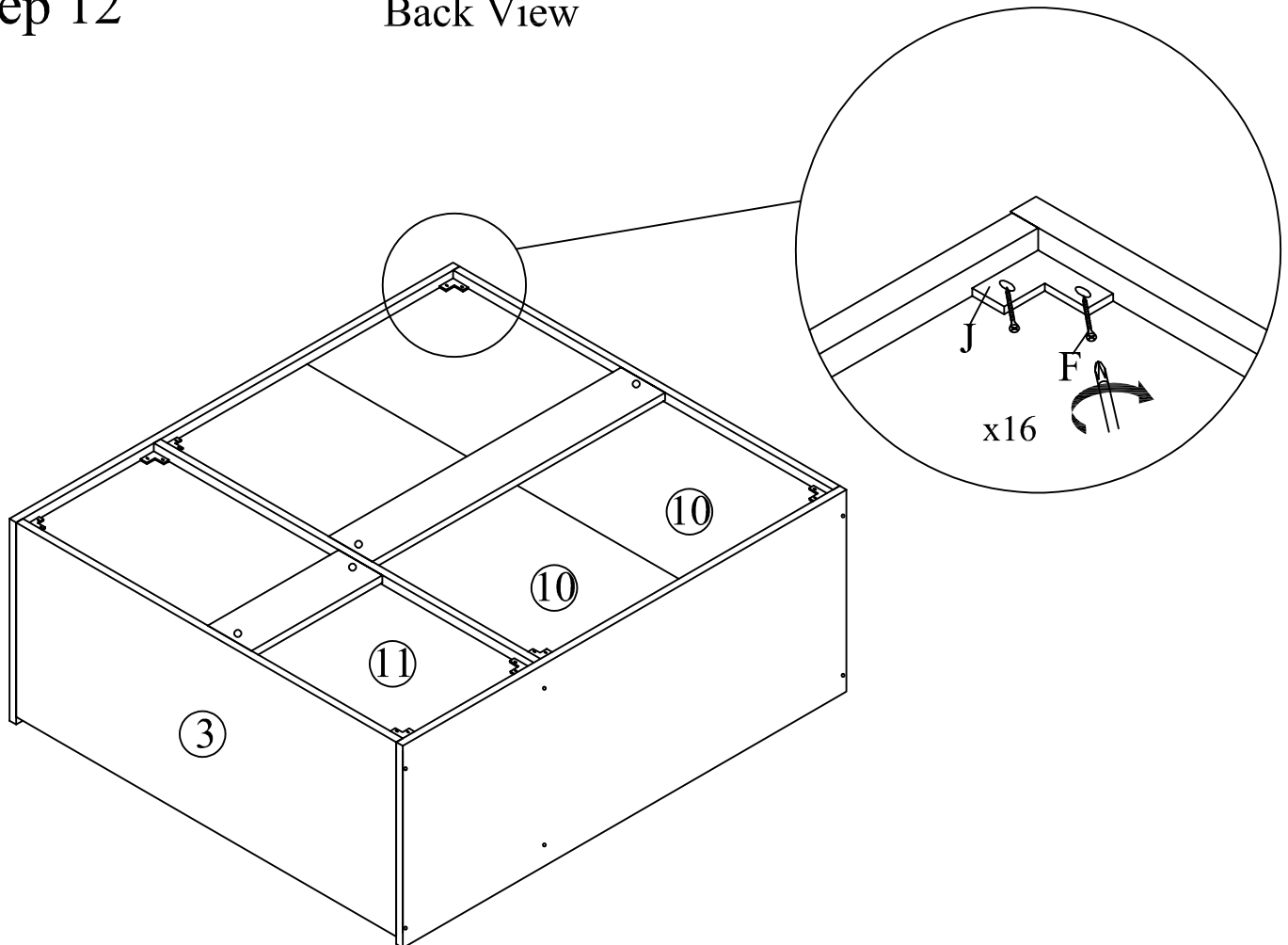
Step 11

Back View



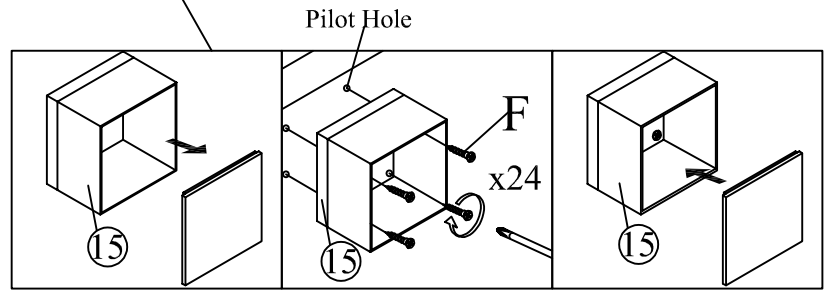
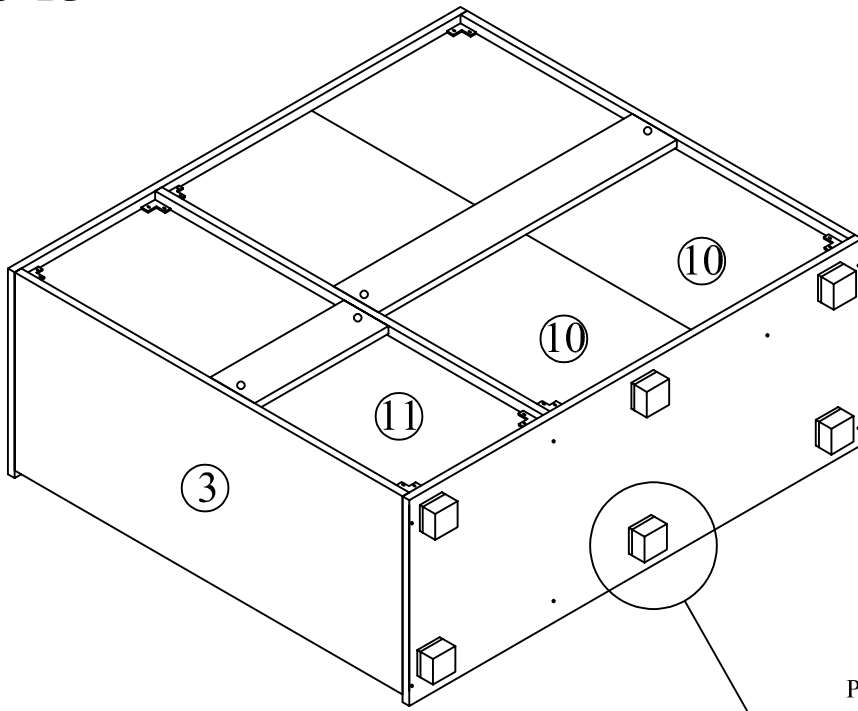
Step 12

Back View

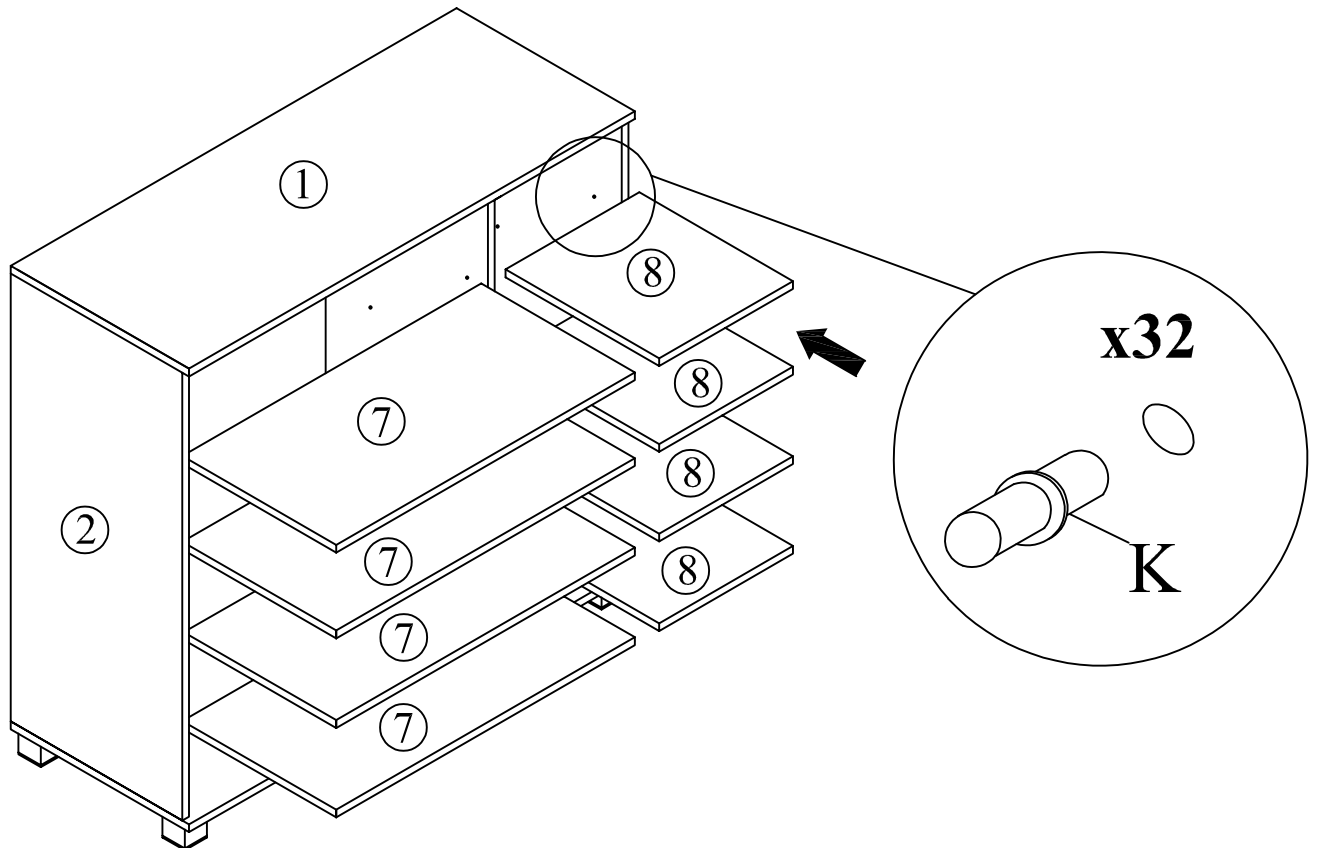


Step 13

Back View

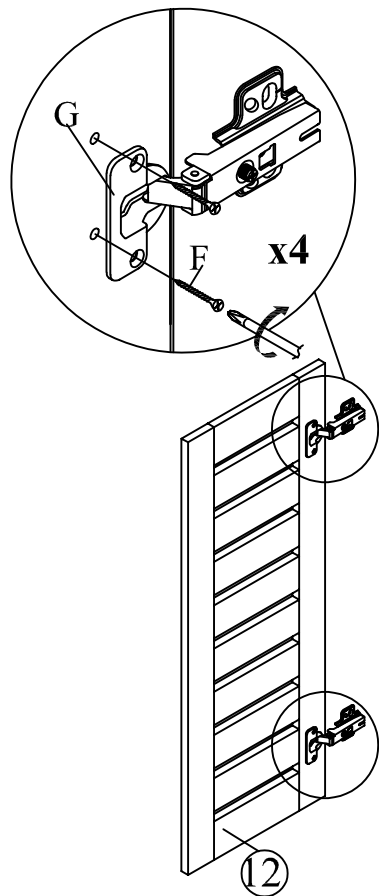


Step 14

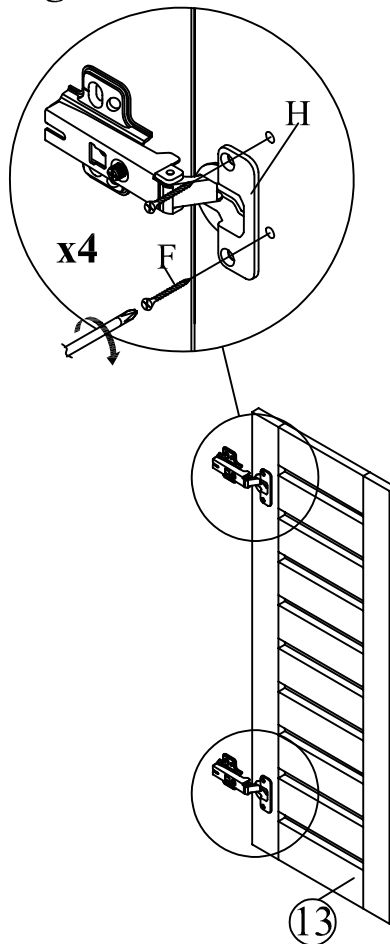


Step 15

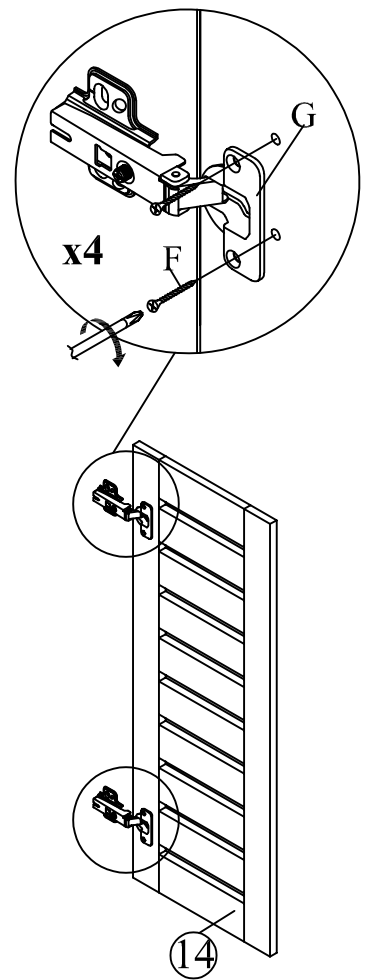
Hinges 'G' on door 12



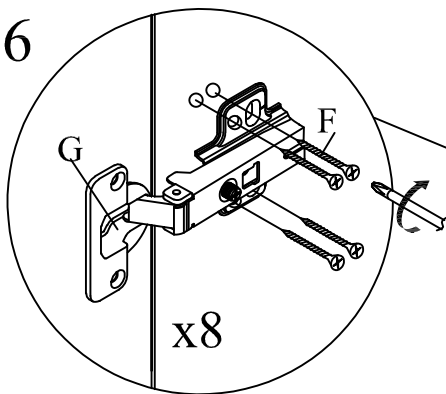
Hinges 'H' on door 13



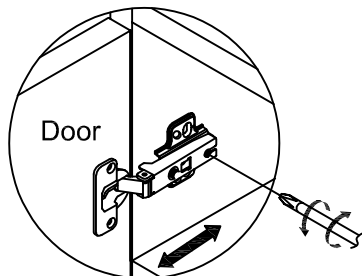
Hinges 'G' on door 14



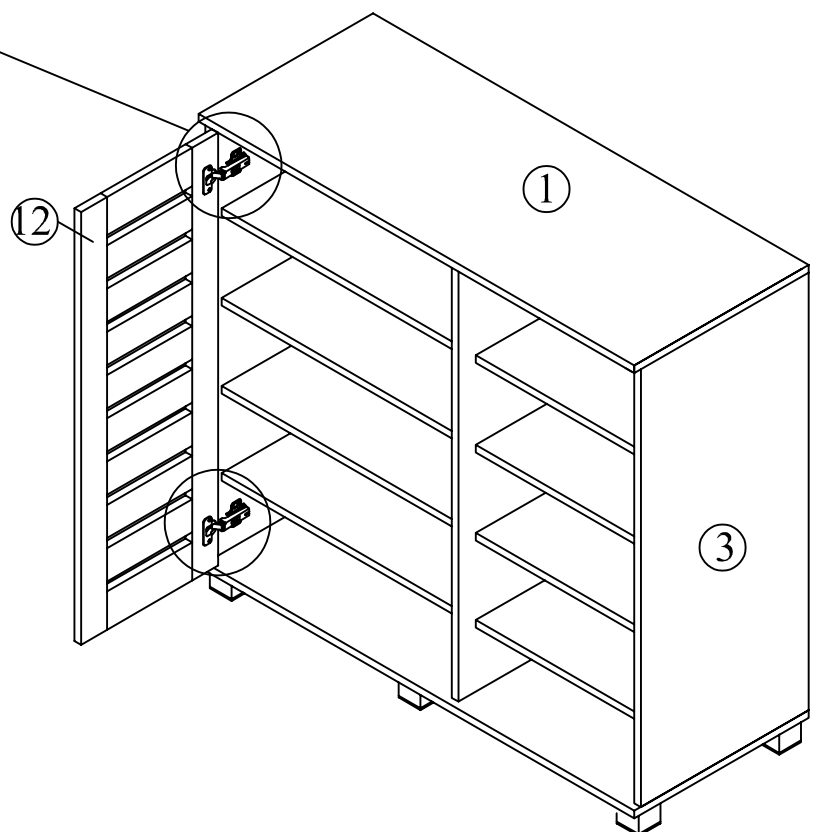
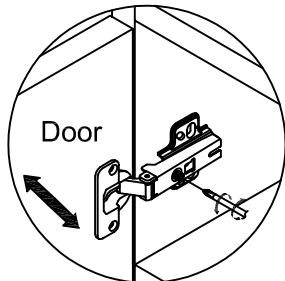
Step 16



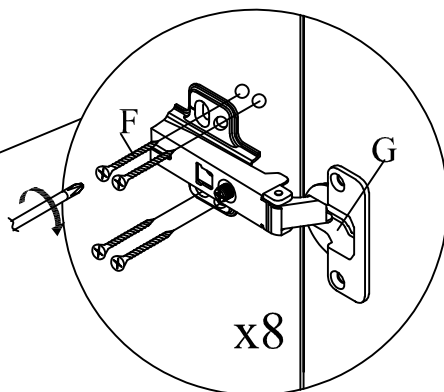
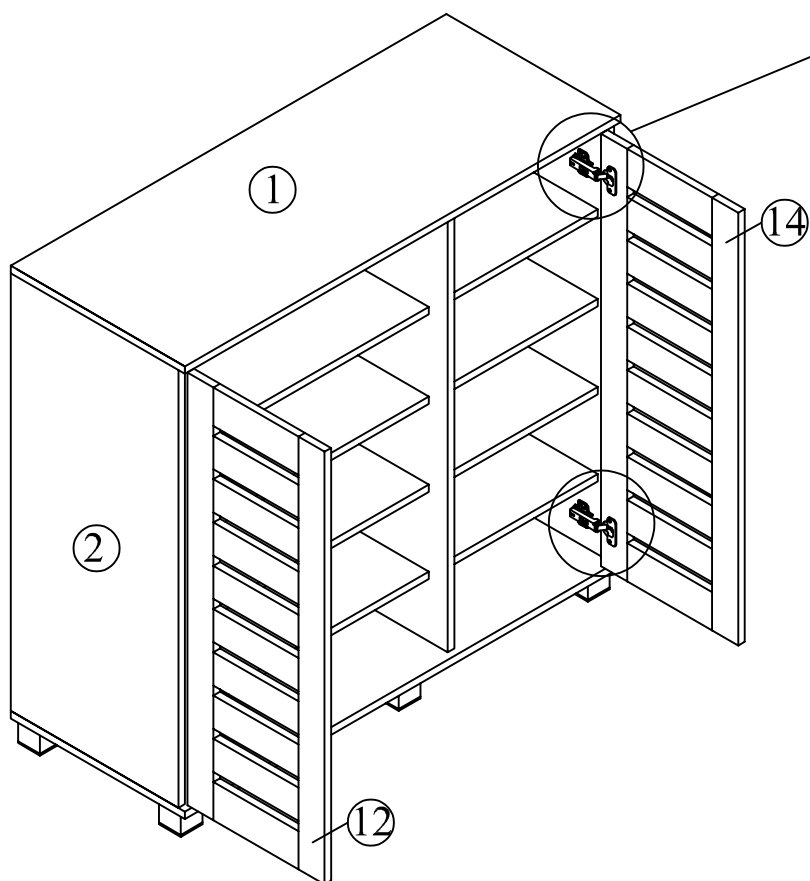
Front to Front Adjustment



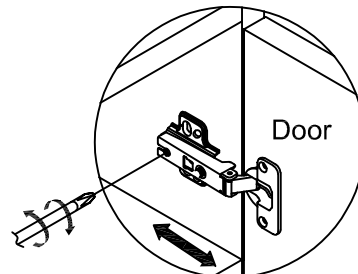
Door Gap Adjustment



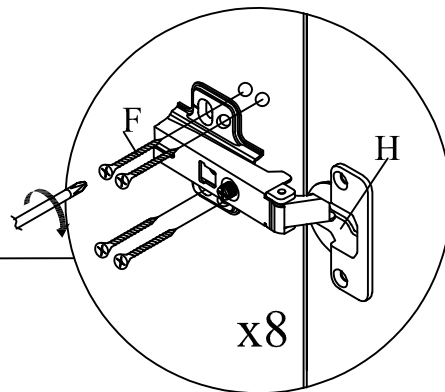
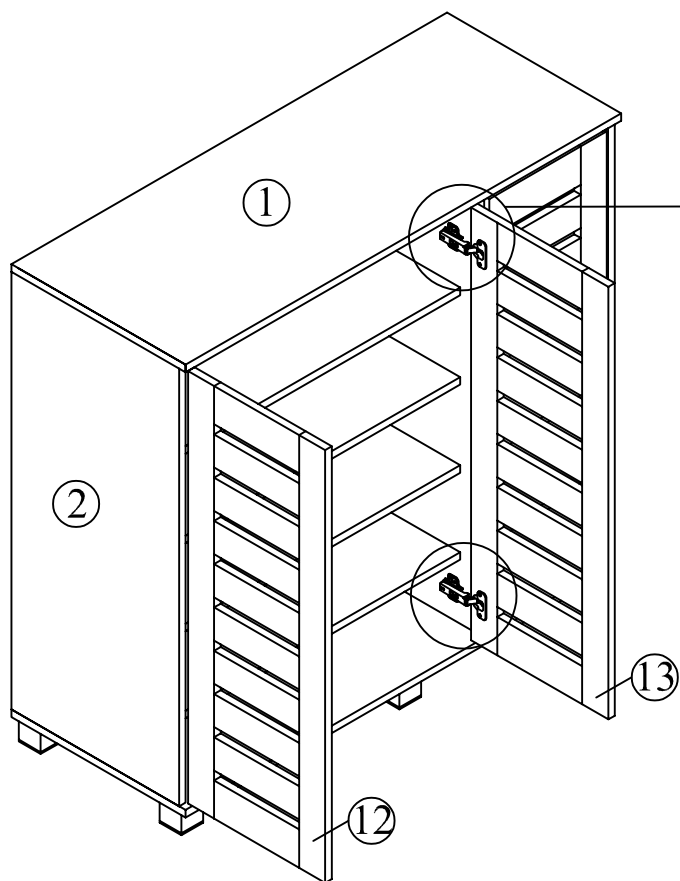
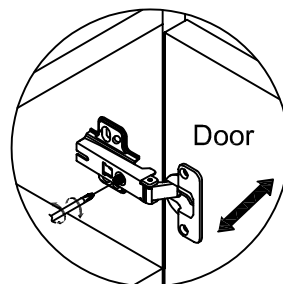
Step 17



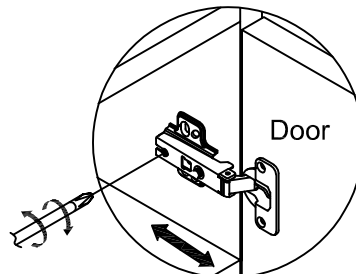
Front to Front Adjustment



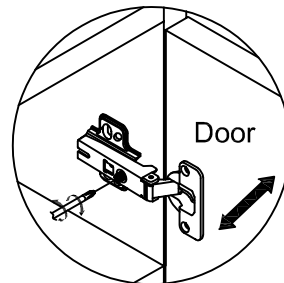
Door Gap Adjustment



Front to Front Adjustment



Door Gap Adjustment



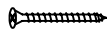
Anti -
Tipping

(A)



CSK Screw
M3.5x16mm
1PC

(B)



CSK Screw
M4x50mm
1PC

(C)

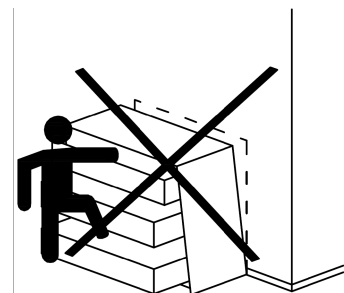
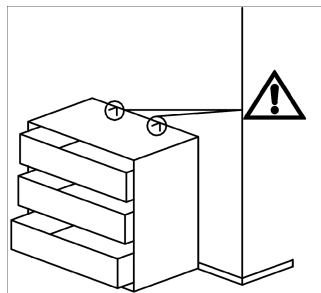


L BRACKET
2PCS

(D)



CABLE TIE
1PC



BACK VIEW

