

Purchase Date: ___ / ___ / ___ Order/Customer Reference Number: _____

Thank you for choosing Sunnydaze Decor. We stand behind our brand and the quality of the items we sell. Replacement parts or products will be sent at our discretion within the 1-year warranty period. Proof of purchase, with the date of purchase as well as photos of the merchandise defect, must be provided. Photos are used to determine the cause of defects and for future quality control. Register your warranty

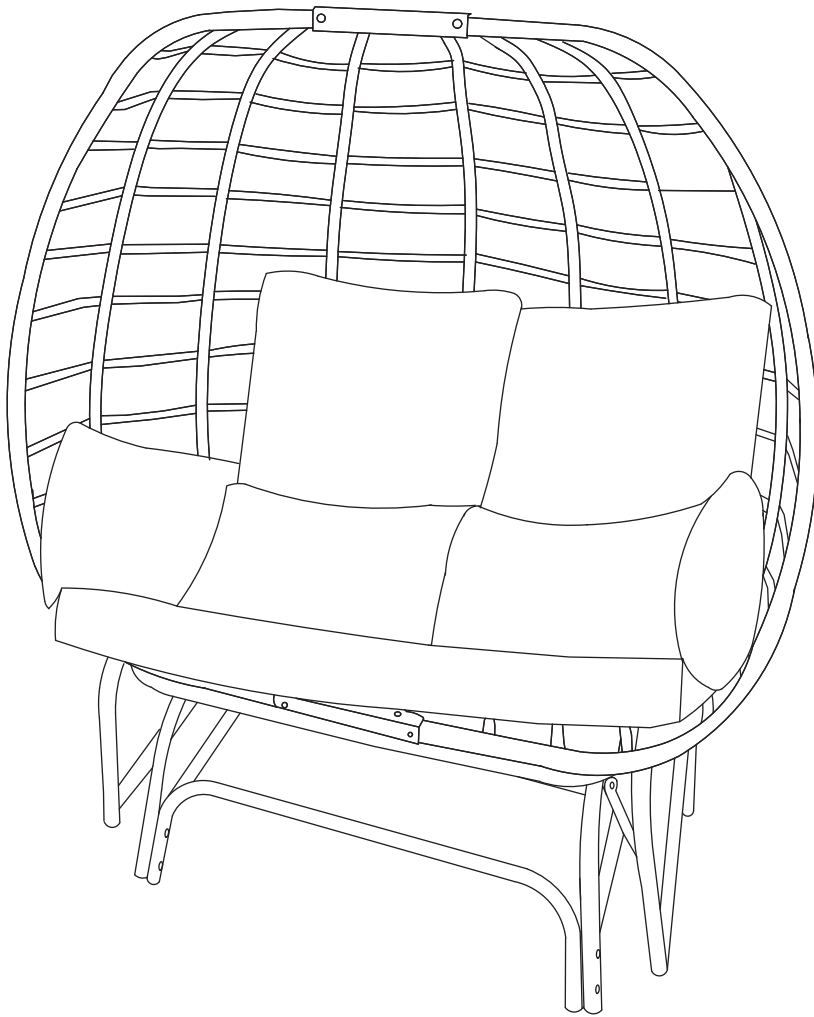
EGG CHAIR GLIDER

Review all assembly and care information before using this product. Save this manual for future reference.

Assemble components on a soft, clean surface to avoid damaging the finish.



Inspect packaging to ensure all parts are accounted for before disposing of packing materials.
Save the packing slip.



No.	PARTS	QTY.
A	Egg Chair	1
B	M6x18mm Bolt Set	5
C	M6x45mm Bolt Set	12
D	M8x60mm Bolt Set	4
E	Side Leg	2
F	Leg Support	2
G	M6x60mm Bolt Set	8
H	Seat Frame	1
I	Glider Frame	2
M	Bracket	2
N	Front Bar	1
Q	Seat Cushion Set	1
R	Throw Pillow	2

WARNING

CHOKING HAZARD — This item contains small parts that can be swallowed. Keep children and pets away during assembly.

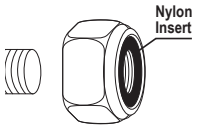
WARNING!

Manufacturer and seller expressly disclaim any and all liability from personal injury, property damage or loss, whether direct or indirect, or incidental, resulting from the incorrect attachment, improper use, inadequate maintenance, or neglect of this product.

INCLUDED TOOLS

	Hex Key
	Spanner

ASSEMBLY

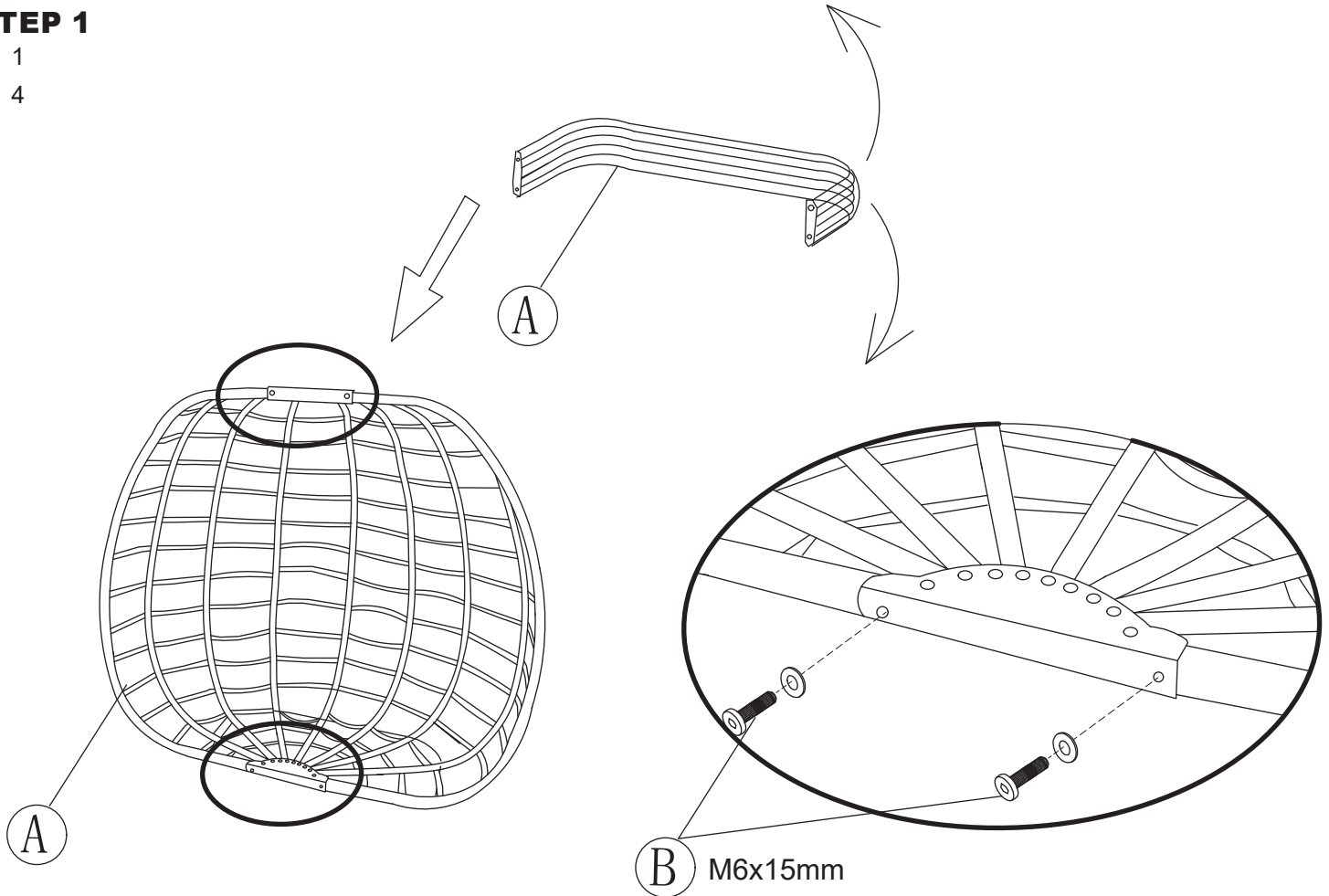


! IMPORTANT: Lock nuts must be installed with the nylon insert on the outside. Hand-tighten the nut until you feel resistance, which is caused by the nylon insert. Tools are required to fully tighten lock nuts, failure to properly tighten the lock nuts may result in product malfunction or personal injury.

STEP 1

A: 1

B: 4

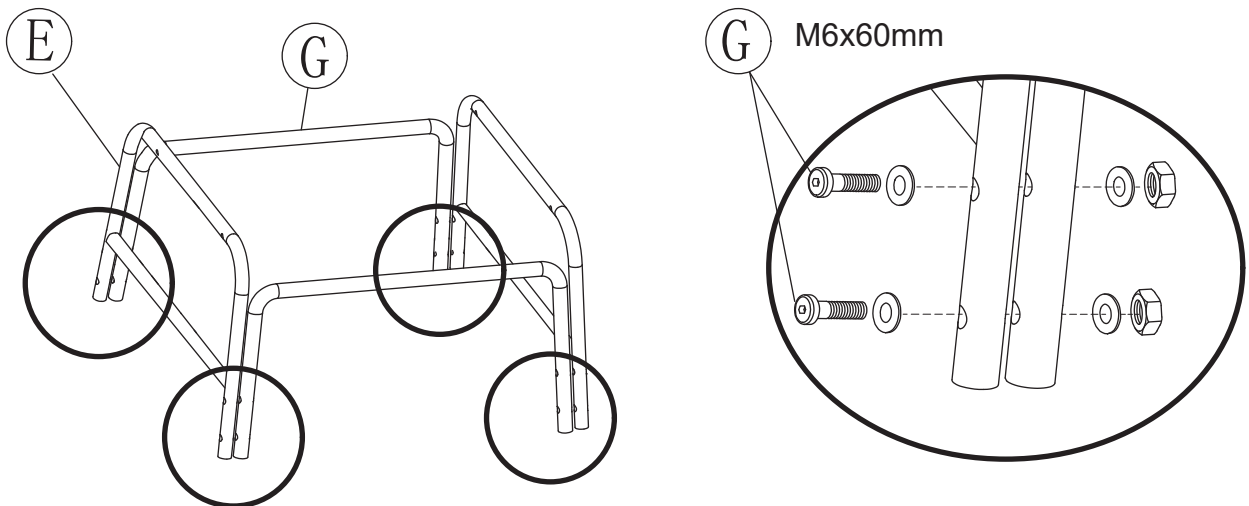


STEP 2

E: 2

F: 2

G: 8



STEP 3

C: 10

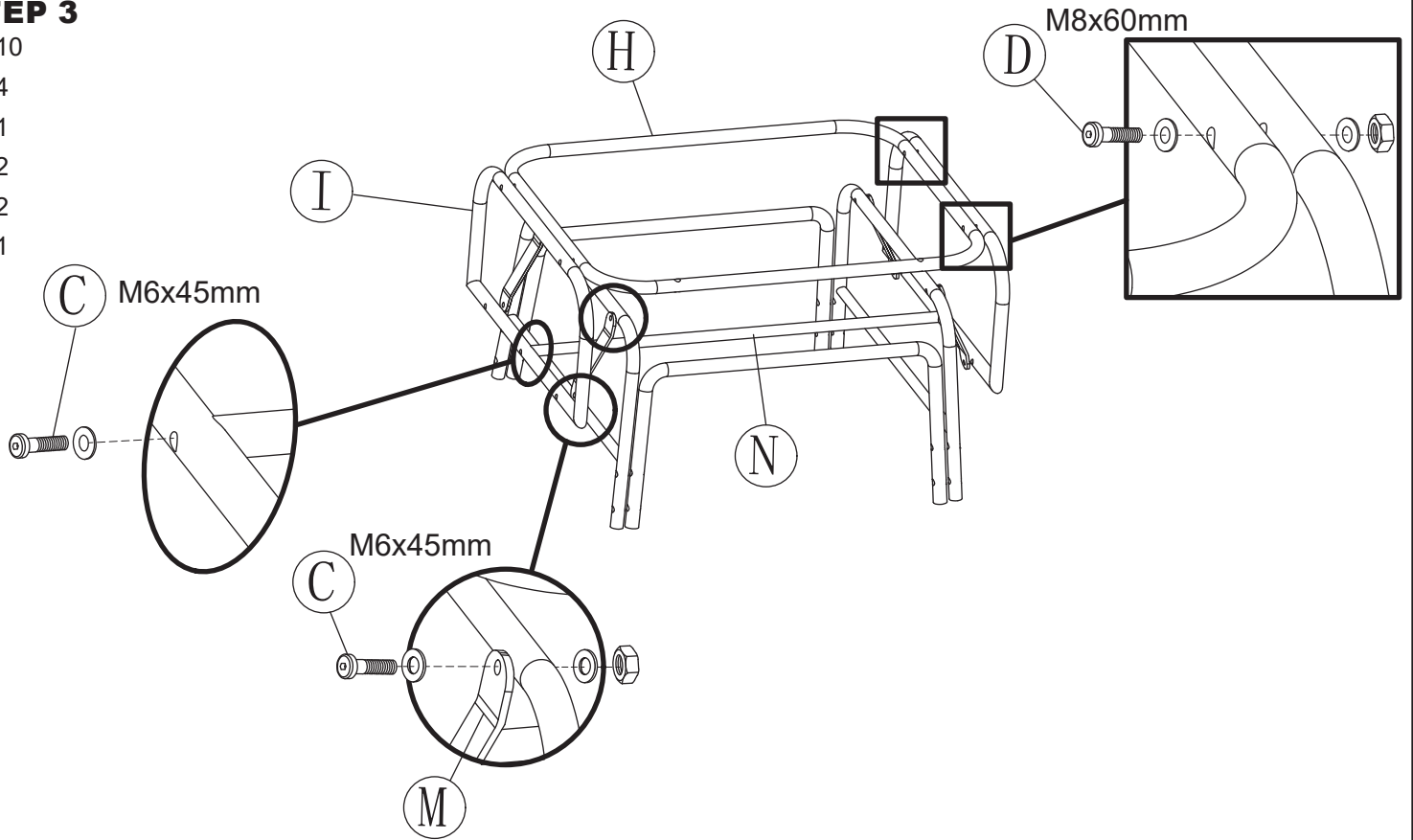
D: 4

H: 1

I: 2

M: 2

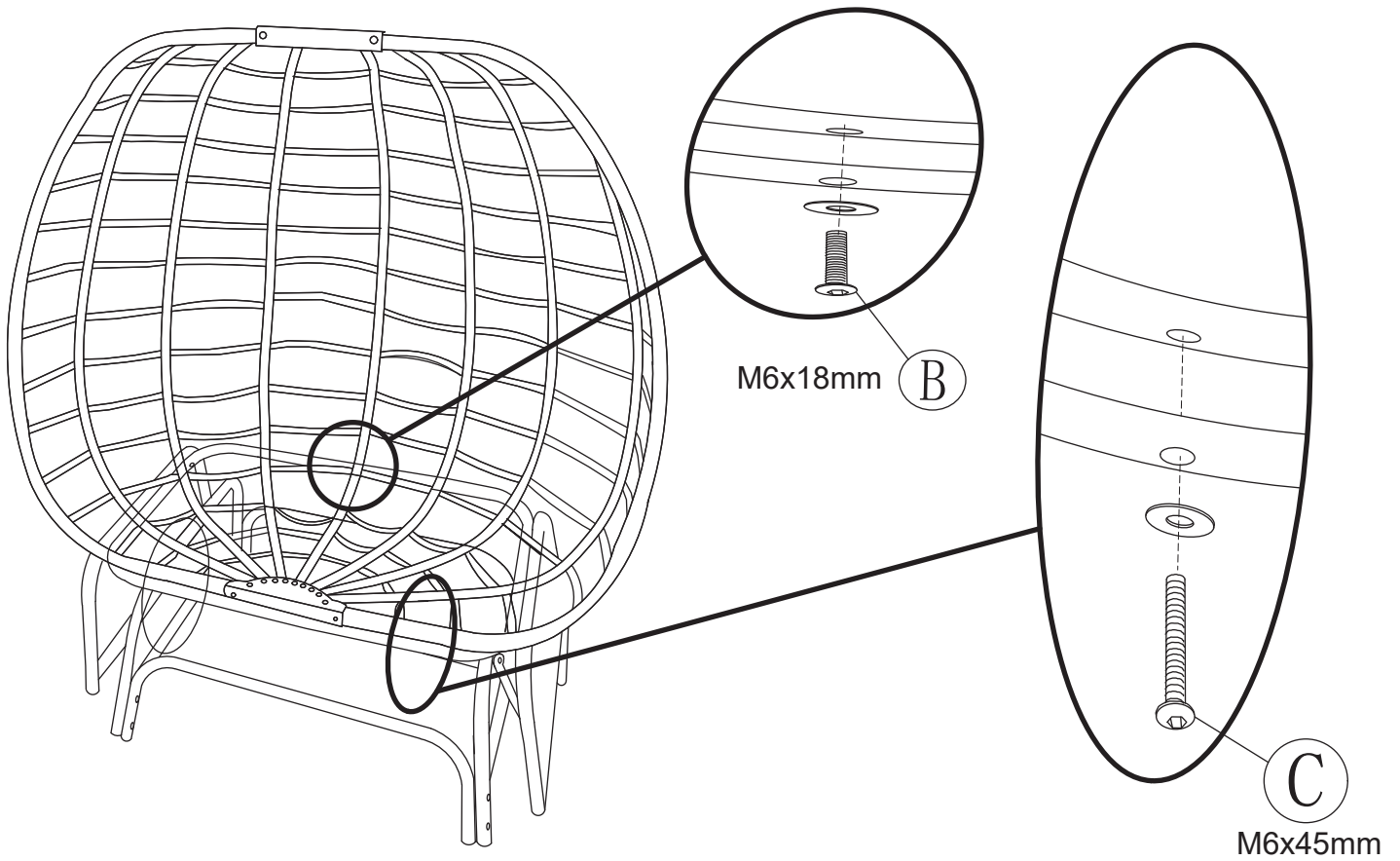
N: 1



STEP 4

B: 1

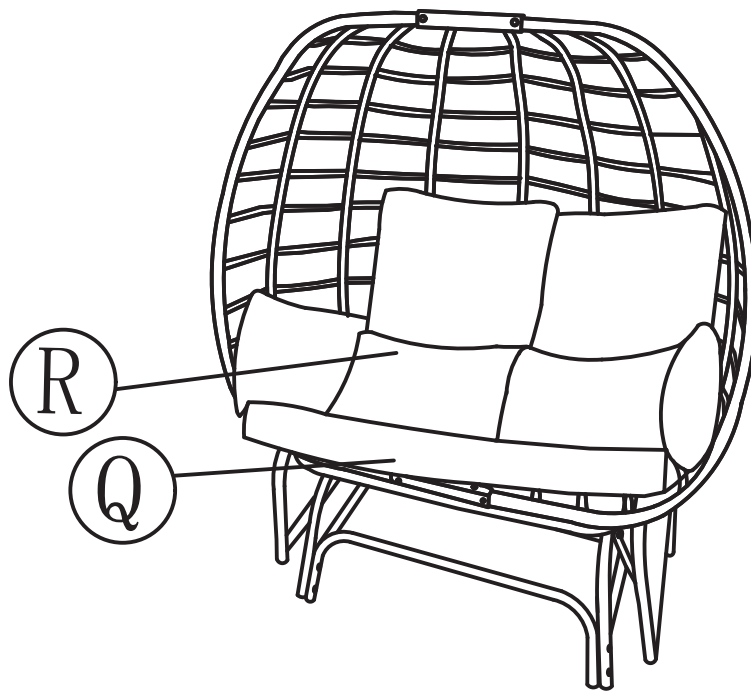
C: 2



STEP 5

Q: 1

R: 1



Care & Maintenance

SAFE USE: Do not stand on the chair. Only use on a flat, level surface.

INSPECT: Check the rattan and frame for damage before each use; do not use the chair if they are broken. Periodically check hardware and tighten as necessary.

SUN EXPOSURE: All fabrics will eventually fade from sun exposure. Maintain fabric color and integrity by storing the cushion and pillows indoors when not in use.

WINTER CARE & STORAGE: Maintain the appearance and prevent damage by storing this item indoors when not in use. Store indoors during winter and inclement weather. A cool, dry location is recommended to prevent damage. Covering with a breathable cover while in storage helps prevent dust build-up. Ensure cushions are completely dry before storing as moisture promotes mold and mildew growth.

WARNING: THE ONE-YEAR WARRANTY DOES NOT COVER DAMAGES OR DEFECTS CAUSED BY THE APPLICATION OF CHEMICAL TREATMENTS, PROTECTIVE COATINGS, TOUCH-UP PAINT, OR CLEANING PRODUCTS.

⚠ SAFETY STATEMENTS & WARNINGS ⚠

- Do not exceed the weight capacity.
- Never stand, or climb on the chair.
- Inspect item before use to ensure folding components are not damaged.
- Keep furniture a safe distance from heat sources such as, but not limited to, fire pits, patio heaters, and grills.
- Do not allow children to use this product without adult supervision.
- Do not use harsh chemicals, abrasive materials or a pressure washer to clean the furniture.

Any modification to the product or failure to follow recommended care will void the product warranty.

If you experience issues with assembly or the product was damaged during shipping, please contact our customer service team through one of the methods mentioned at the top of page 1.

Please have the item number and order information ready to expedite response time.

⚠ WARNING:

Manufacturer and seller expressly disclaim any and all liability from personal injury, property damage or loss, whether direct or indirect, or incidental, resulting from the incorrect attachment, improper use, inadequate maintenance, or neglect of this product.