

Assembly Instructions

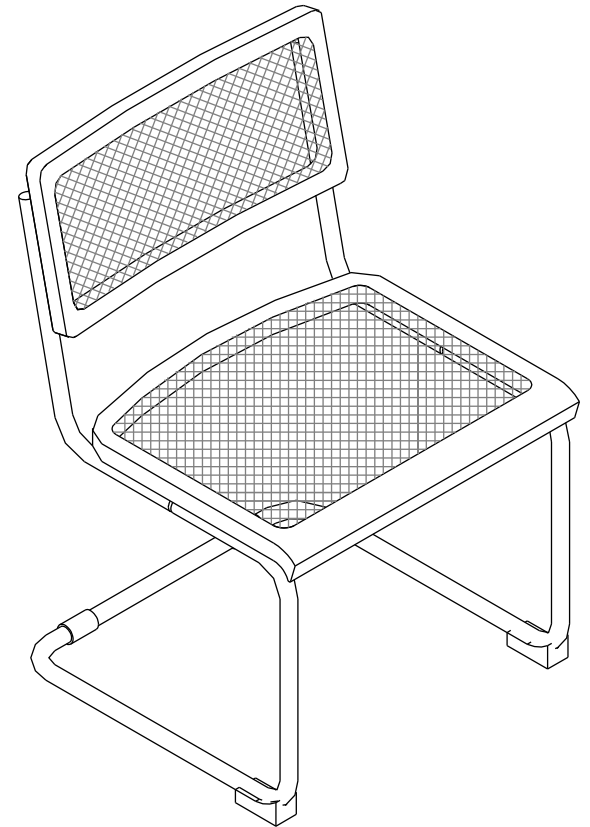
⚠ Before you throw the carton, please ensure that you have all the parts needed for the assembly.

⚠ **Hardware Note:**

1. For each step please don't fully tighten all the screws at first, when they all align to the holes you can fully tighten them.

2. All the bolts should be assembled **vertically** to the holes.

⚠ **Spare parts** can be found in the hardware box if you do not have enough bolts for assembly.

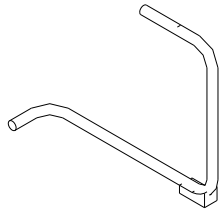


Assembly Instructions

Parts and Hardware

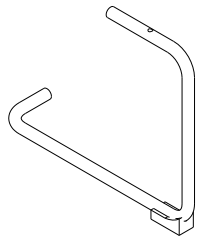
Please check to make sure you have all parts and hardware before starting assembly process.

A



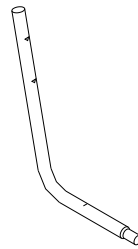
Right leg 1pc

B



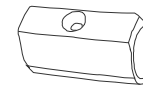
Left leg 1pc

C



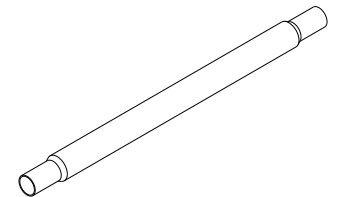
Connection 2pcs

D



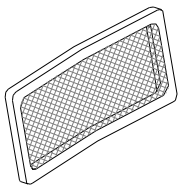
Under legs 2pcs

E



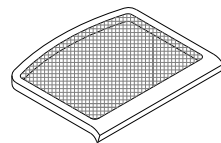
Under connection 1pc

F



Back 1pc

G



Seat 1pc

1



Long bolts 8pcs

2



Short bolts 2pcs

3

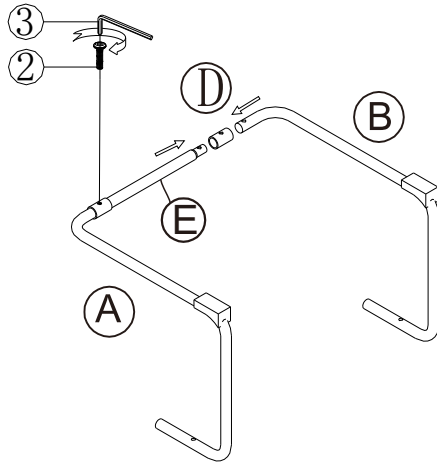


Allen Wrench 1pc

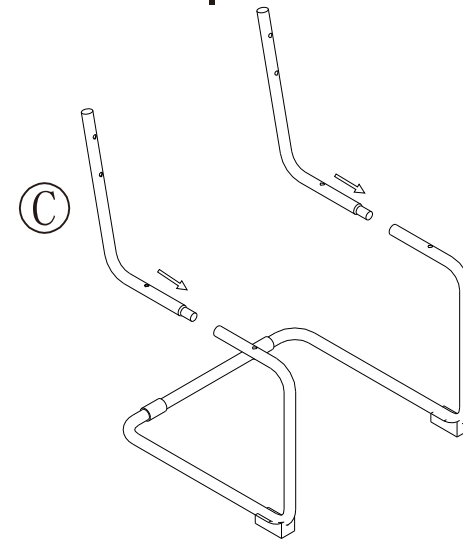
Assembly Instructions

Assembly Instructions

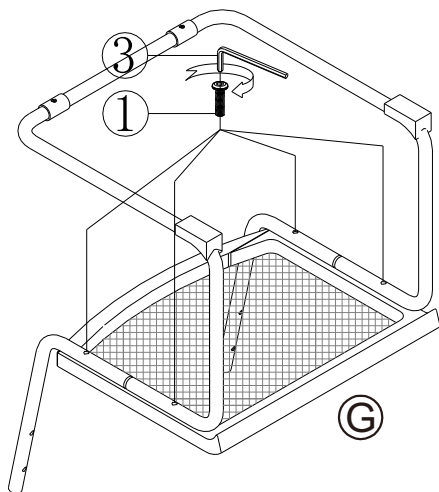
Step 1:



Step 2:

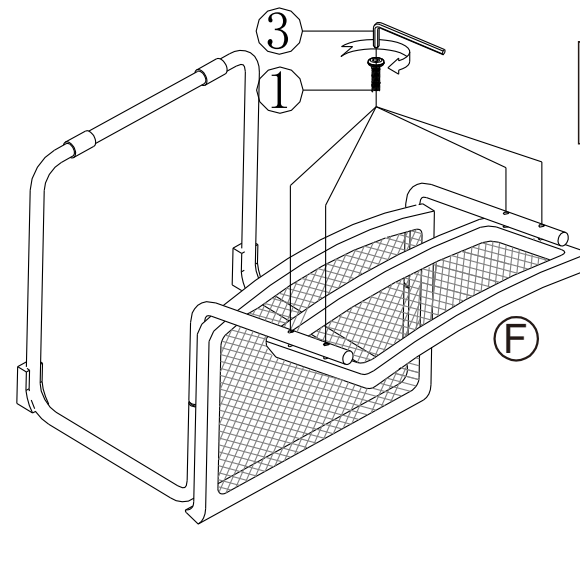


Step 3: Assemble seat to legs.



!
Do not fully tighten the bolts
please be sure you align the
holes first!

Step 4: Assemble back to back support connection.



!
Do not fully tighten the bolts
please be sure you align the
holes first!

