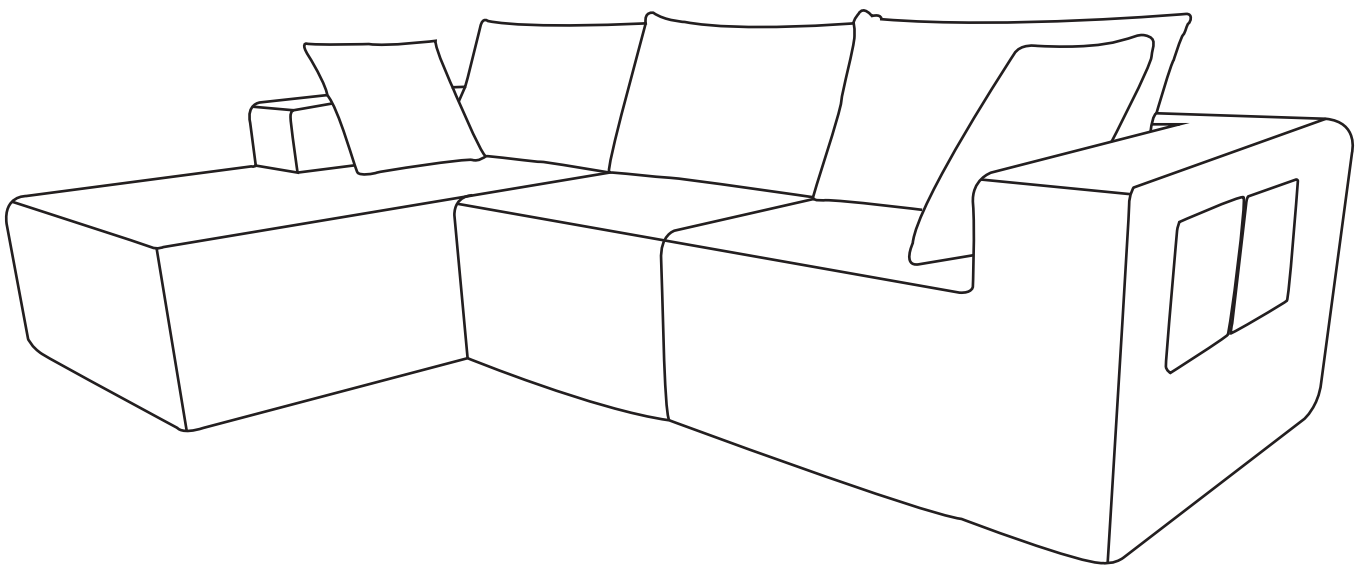
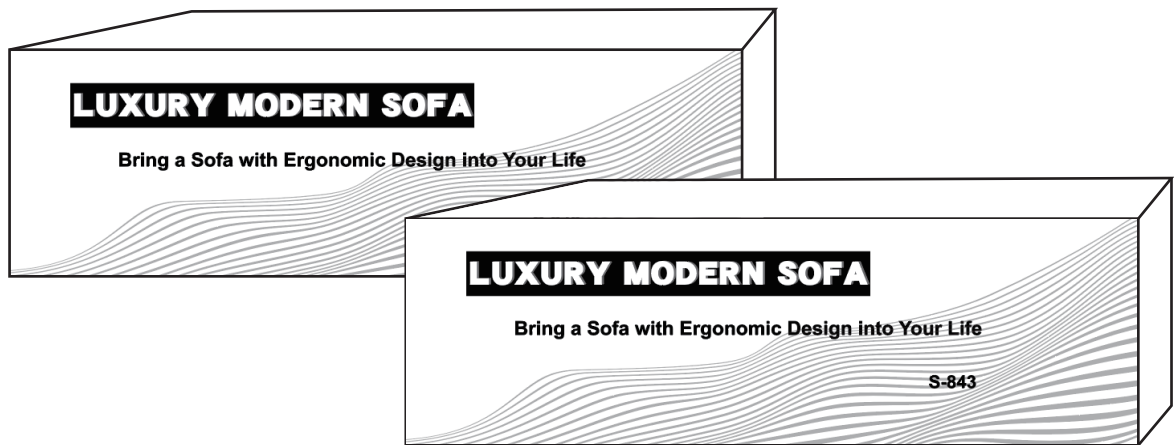
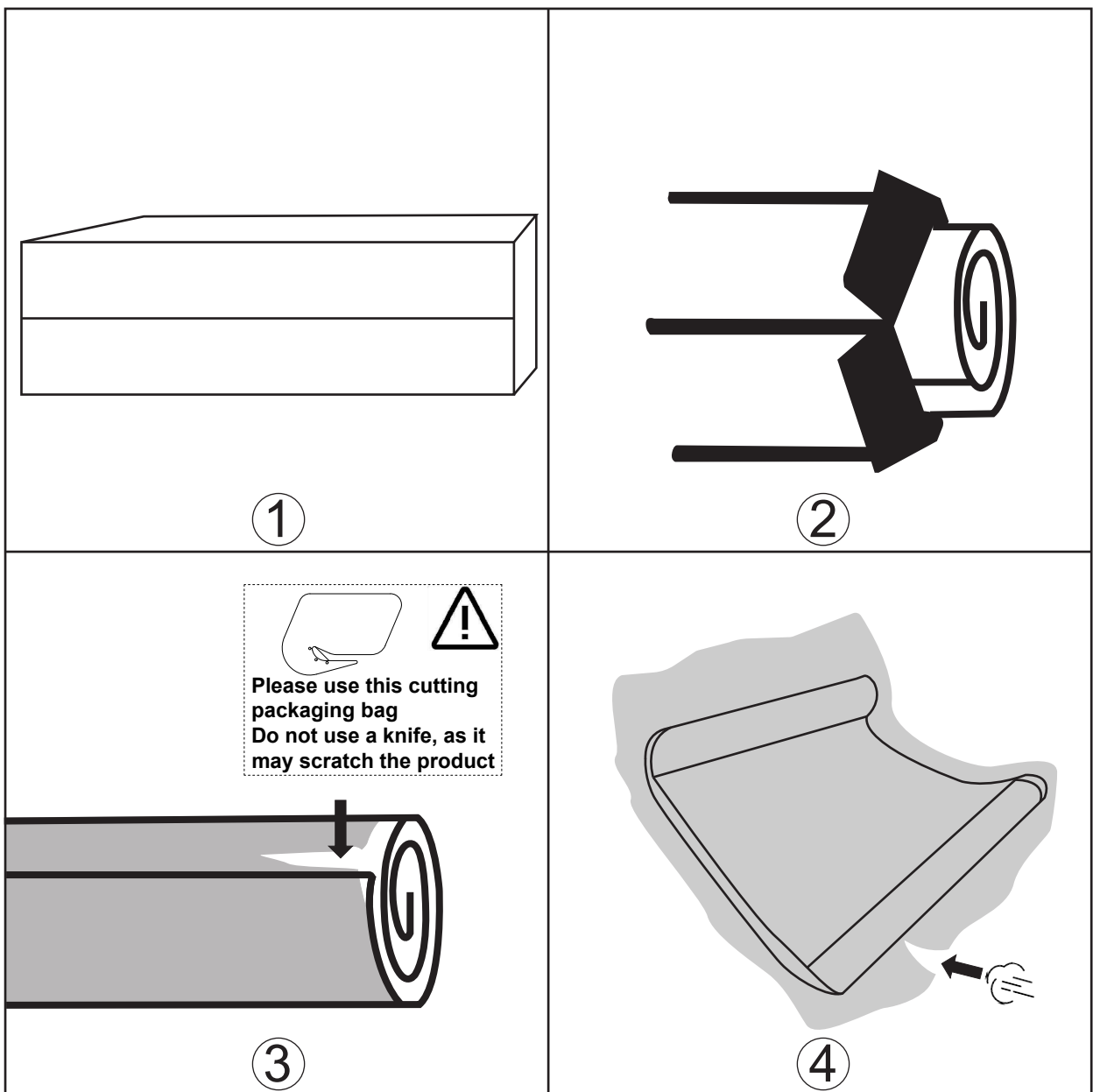


Luxury Modern Sofa

User Manual



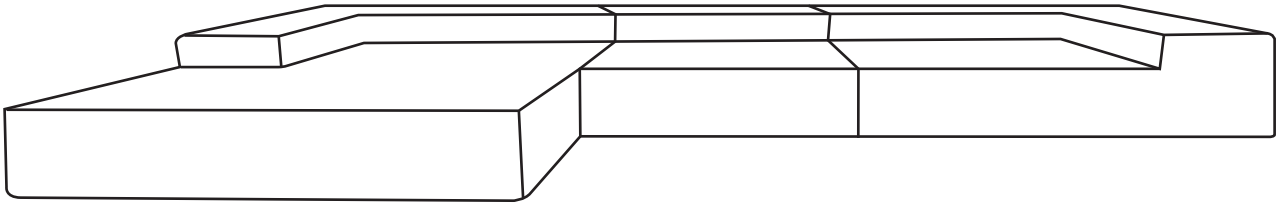
Please note that there are two packages for this modular sofa.
If you receive one package first, please be patient.



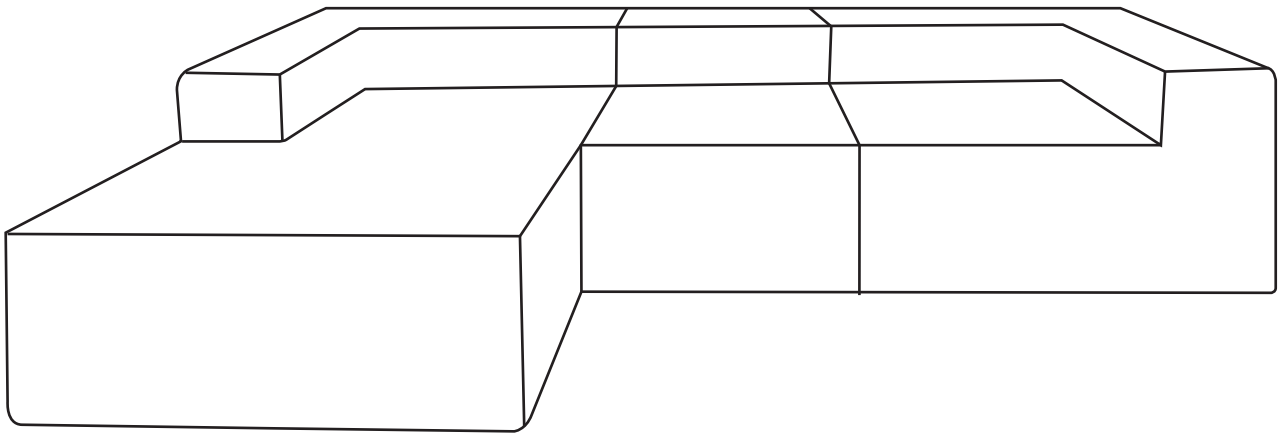
- ① Open the outer box,
- ② Remove the rolled plastic-wrapped product and accessory cutter,
- ③ First use a cutter to cut open the outermost plastic film,
- ④ After the product is unrolled, use a cutter to make a small cut at the corner and wait for the product to recover its elasticity.

Notes:

1. When you use the cutter, please make sure use with caution to prevent cuts, and lift the plastic bag slightly to prevent cutting the sofa fabric.
2. Please wait until the product is fully extended before removing the outer plastic bag.



After unpacking the product, please wait patiently for it to rebound. Because the product is compressed for delivery, the product may be wrinkled and uneven within **24-48** hours. Please wait patiently for the product to fully rebound.



After **72** hours of rest, if the fabric is still uneven, you can use a hair dryer to blow air 12" away from the product and smooth it by hand to restore it to flatness.

Notes:

- 1.** When using a hair dryer or iron to smooth the fabric of the product, please be careful not to use it for too long or at too high a temperature as this may damage the fabric.
- 2.** During the product's disassembly and rebound period, please do not sit on it or put heavy objects on it. It can be placed in a ventilated and cool place for 72 hours. Please meet this standing time.
- 3.** The surface fabric of this product does not support water washing, and can be wiped with a towel.

Details

Name: Multi-person sofa	Weight:
Color: Grey / White	Package 1: 73.8lb
Product size: 109"(W)*68"(D)*24"(H)	Package 2: 66lb
Packaging size:	Inner material: Sponge
Package 1: 43.3"(W)*22"(D)*11.5"(H)	Fabric material: Corduroy
Package 2: 45.2"(W)*14"(D)*14"(H)	Quantity: 1
Model NO: S843	

Customer Service

Our aim is: YOUR SATISFACTION IS OUR GREATEST ACHIEVEMENT. If you have any questions. Please contact us first, we will give you the best answer within 24 hours.

We hold the good faith, sincere service purpose, in the increasingly fierce market competition, constantly according to the market demand, improve product quality, research and development of new products, to meet the needs of customers.

 **Email: aftersales909@163.com**

 **Phone: (252) 772-1994**