

# INSTALLATION AND CARE GUIDE

## BEFORE YOU BEGIN



Prior to installation, thoroughly read and comprehend this manual.



We recommend professional installation for optimal results.



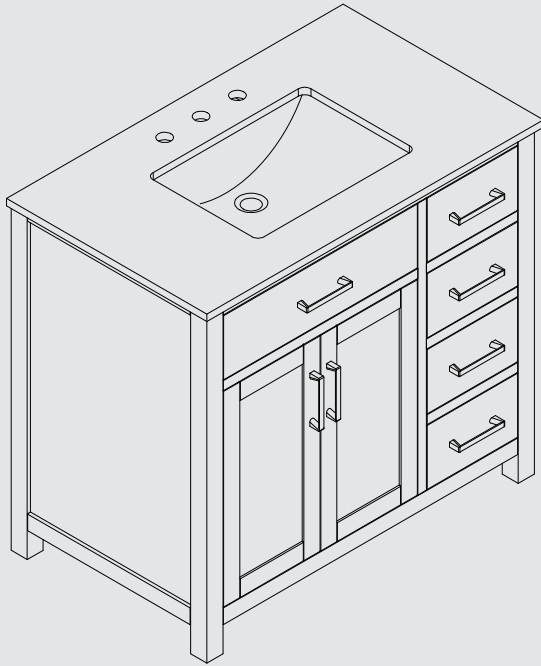
Shield surfaces from sharp objects, high heat, and chemicals.



Verify all components against the **PART LIST**. Promptly inform your retailer of any missing items.

# WHAT'S INCLUDED IN THE PACKAGE

**A**



**x1**

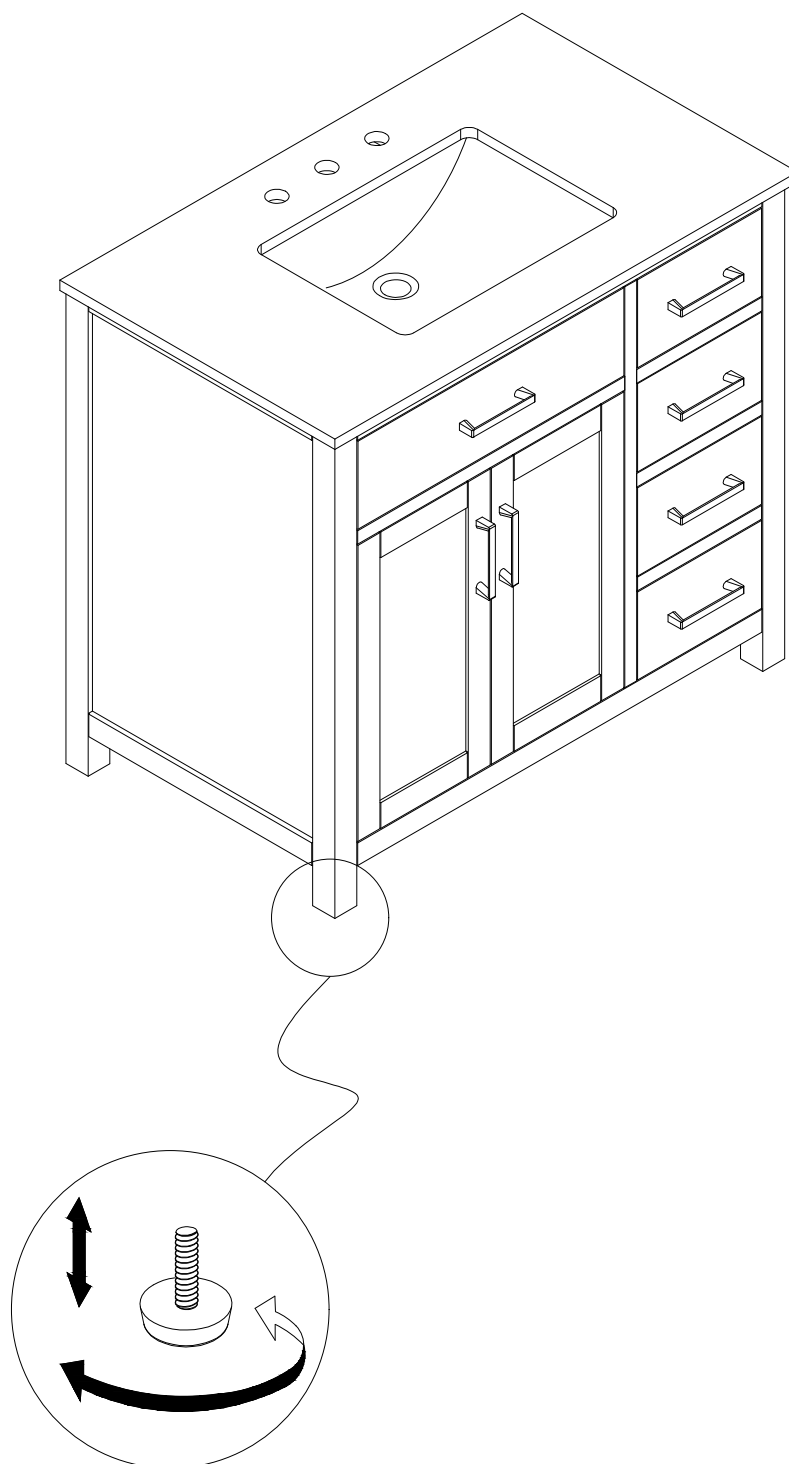
A. VANITY

# INSTALLATION INSTRUCTION

**STEP1.** Adjust the vanity's height at its final location.

**Note:**

Rotate the adjustable leveler foot pins, located on the bottom of each leg, to adjust the vanity's height.

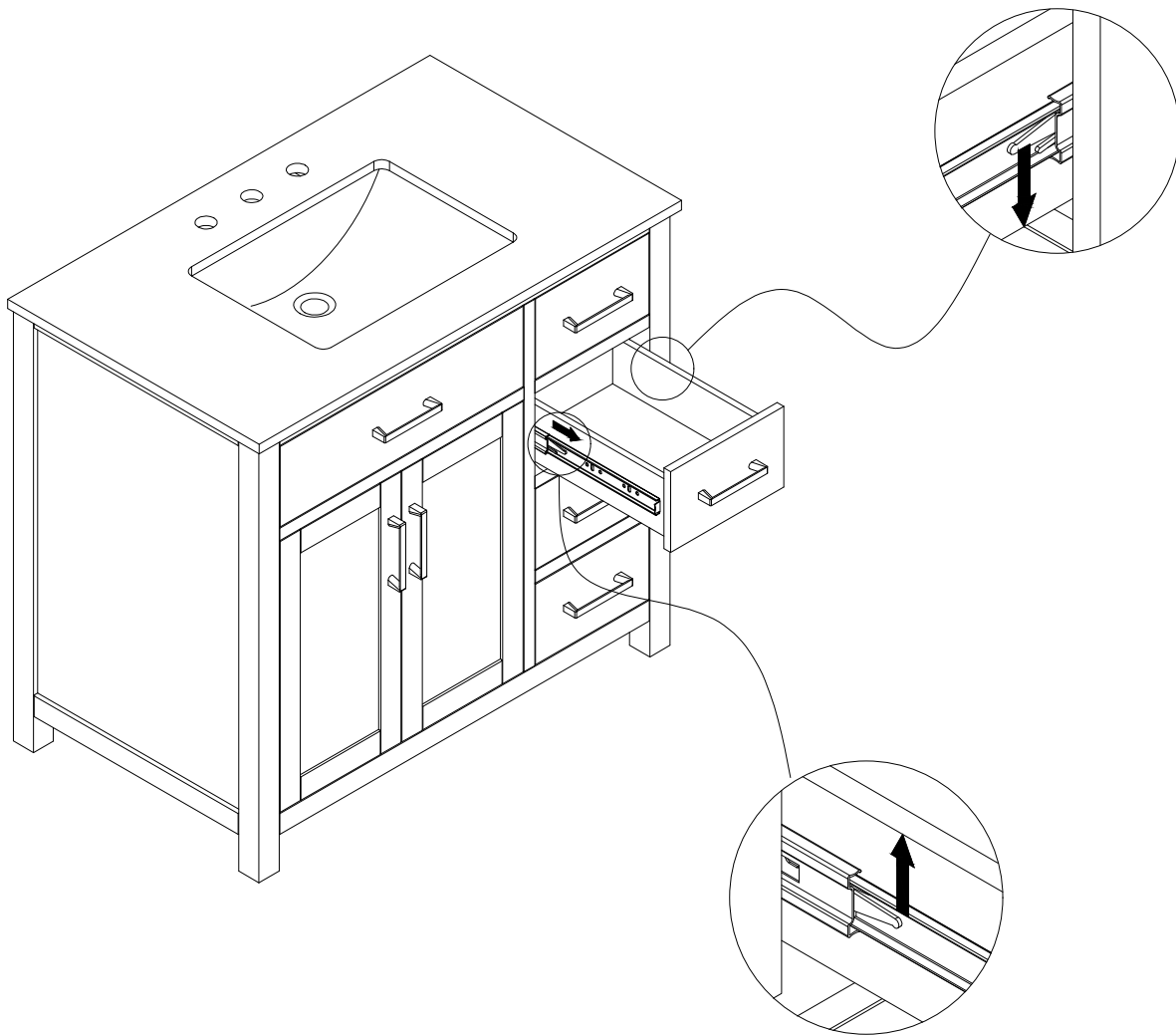


# INSTALLATION INSTRUCTION

**STEP2.** Remove the drawer.

**Note:**

- a. Fully extend the drawer.
- b. Simultaneously press the clips on both sides of the drawer slides(push upward on the left side and press downward on the right side).
- c. While holding the clips, smoothly pull the drawer out from the slides to complete the removal process.

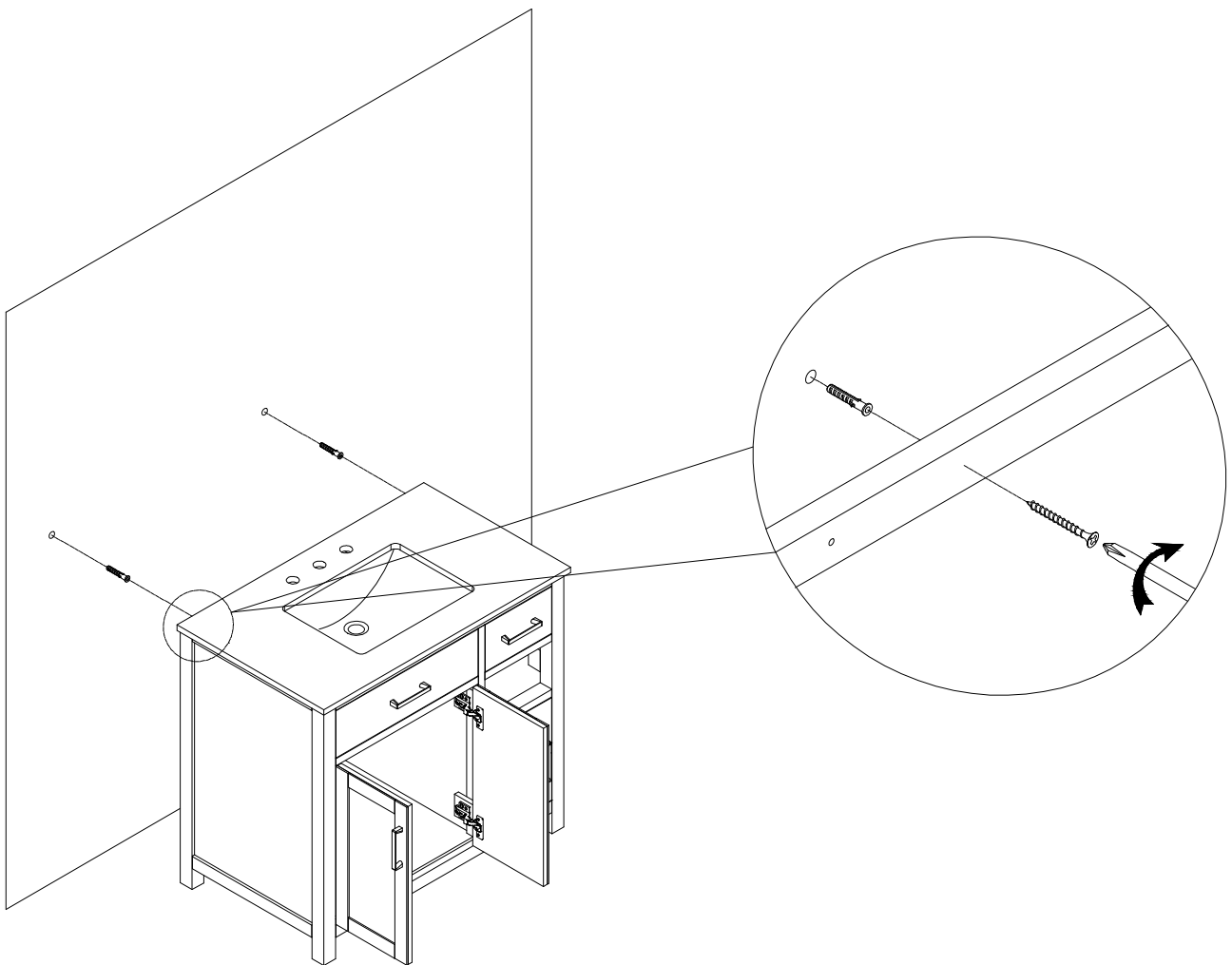


# INSTALLATION INSTRUCTION

**STEP3.** Mount the vanity to the wall (mounting hardware not included). Ensure the vanity is securely fastened using suitable hardware based on your wall type. Exercise caution to avoid disrupting any hidden electrical or water lines present within the wall.

**Note:**

It is crucial to securely fasten the vanity to the wall.

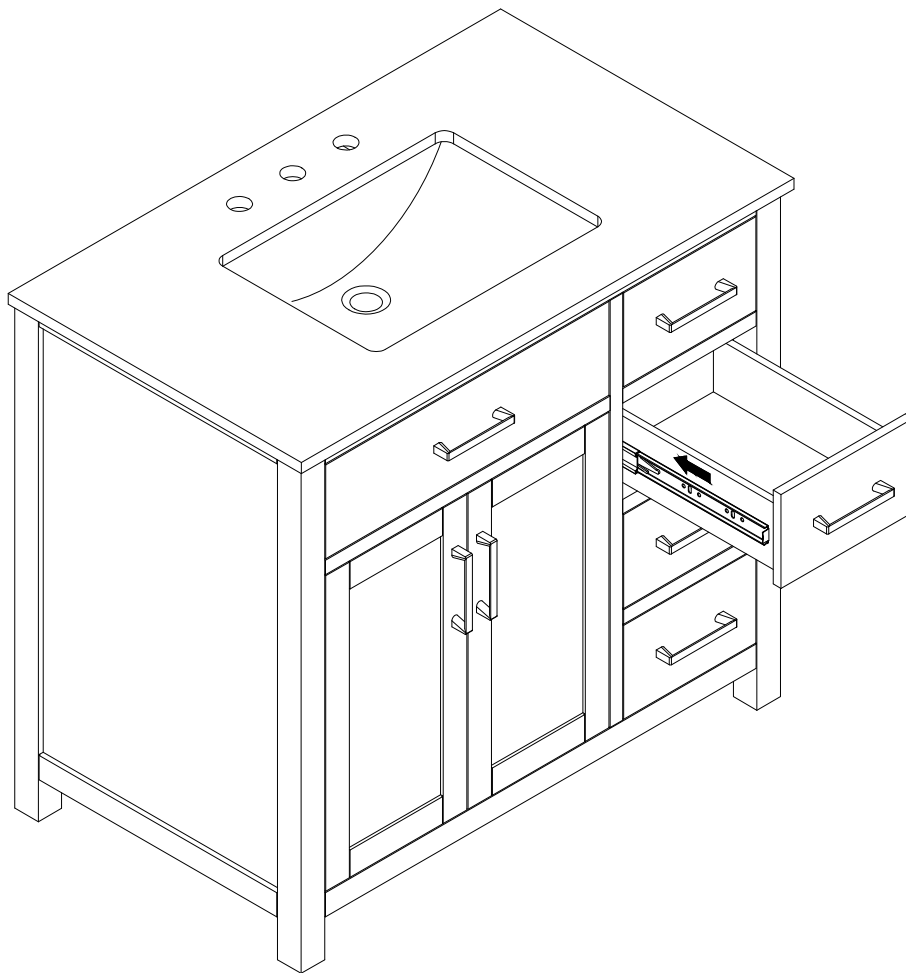


# INSTALLATION INSTRUCTION

**STEP4.** Reinstall the drawer.

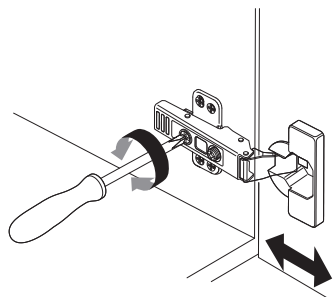
**Note:**

- a. Return the cabinet slides to their original position, ensuring the part with the ball bearings is positioned toward the front.
- b. Align the drawer with the cabinet slides and slowly push it all the way inside.
- c. Test the drawer by opening and closing it to ensure proper installation.

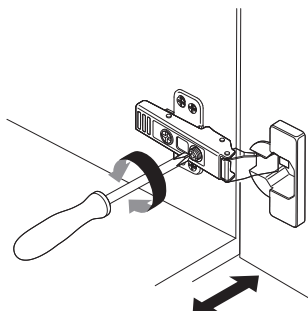


# INSTALLATION INSTRUCTION

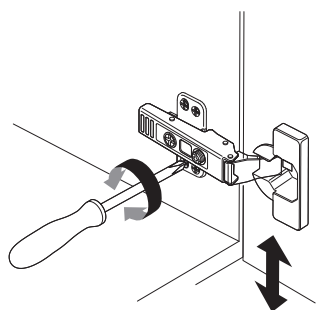
**Fine-tune the Door Fit by Adjusting the Hinges, if Necessary.**



Screw A for door in & out adjustment.

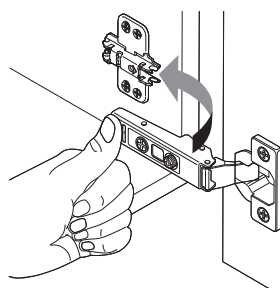


Screw B for door left & right adjustment.

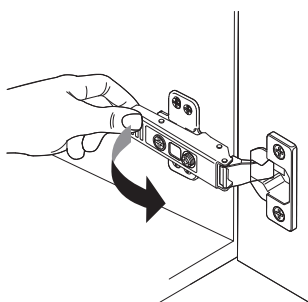


Screw C for door up & down adjustment.

**To remove or install the hinges:**



install



remove

# CARE AND MAINTENANCE

By following these care guidelines, you can help preserve the appearance and longevity of your bathroom vanity.

## **For the Stone,**

It is recommended to seal your stone at least twice a year with a high-quality stone sealer. This helps prevent staining and discoloration. The need for resealing can be determined when water no longer beads on the surface. For best results, apply the sealer before using your vanity.

Keep the stone top dry and clean at all times. Immediately blot up any liquid spills gently to prevent them from penetrating the surface.

When cleaning the stone top, use a soft cloth and neutral soapy water or a cleaning product specifically designed for stones. Avoid using chemical or abrasive cleaners, as well as products containing lemon, vinegar, or other acidic substances.

Place mats or coasters under any items placed on the countertop to prevent scratching the surface.

Avoid attempting to repair larger scratches, chips, or resilient stains by yourself, as this may cause irreversible damage to the stone. Professional treatment is recommended for such issues. Contact your local stone shop for assistance.

# CARE AND MAINTENANCE

## For the Cabinet,

### 1. Regular Cleaning:

Dust the cabinet regularly with a soft, non-lint producing cloth or a household dusting product to prevent the buildup of dust and debris.

Clean the cabinet surface with a gentle, non-abrasive household cleaner suitable for painted wood surfaces.

Avoid excessive moisture and wipe the cabinet dry immediately after cleaning to prevent damage to the paint.

### 2. Avoid Harsh Chemicals:

Avoid using harsh chemicals, solvents or abrasive cleaners that can damage the painted surface. Do not use products containing acetone, bleach, ammonia, or vinegar, as they can cause discoloration or strip the paint.

### 3. Protection from Sunlight:

Avoid placing the cabinet in direct sunlight, as prolonged exposure to sunlight can cause fading and discoloration of the paint.

Use curtains or blinds to protect the cabinet from direct sunlight or consider repositioning the cabinet if necessary.

### 4. Handling Spills and Moisture:

Clean up spills immediately to prevent moisture from seeping into the wood or causing damage to the paint.

Wipe off any spills with a soft cloth or paper towel and dry the surface thoroughly.

### 5. Avoid Excessive Moisture:

Prevent excessive exposure to moisture, such as standing water or high humidity, as it can warp the wood or affect the integrity of the paint finish.

Ensure proper ventilation in the bathroom to minimize moisture levels.

# REPLACEMENT PART LIST

Part	Description
B	Top Drawer Panel ***
C	Top Drawer Box ***
D	Bottom Drawer Panel ***
E	Bottom Drawer Box ***
F	Left Door ***
G	Right Door ***
H	Drawer Slide
I	Door Hinge
J	Handle
K	Foot Leveler

**Note:**

\*\*\* Parts are made-to-order and may not have readily available in our current stock. Please contact us for the most up-to-date lead time regarding these parts.

# REPLACEMENT PART LIST

