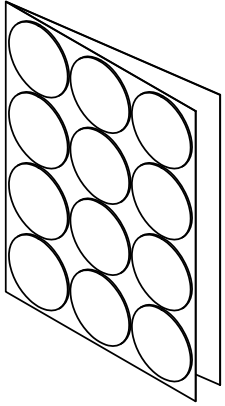
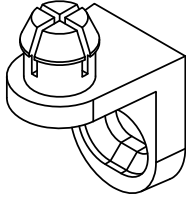


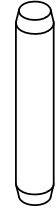
10901
x1



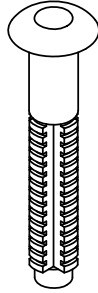
11023
x1



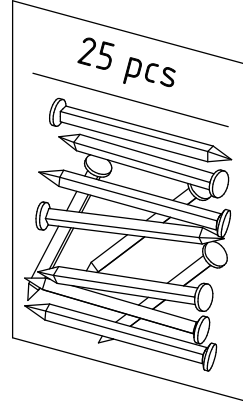
20203
x14



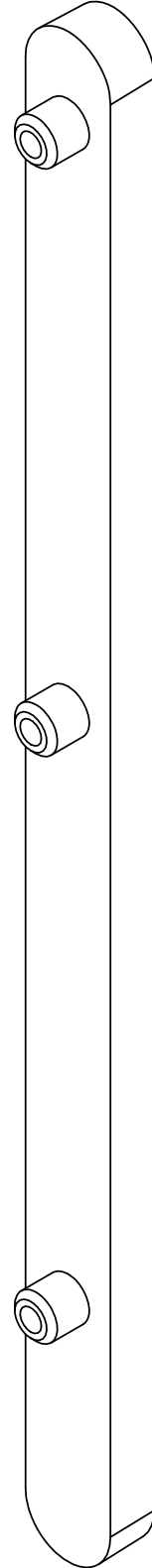
20228
x4



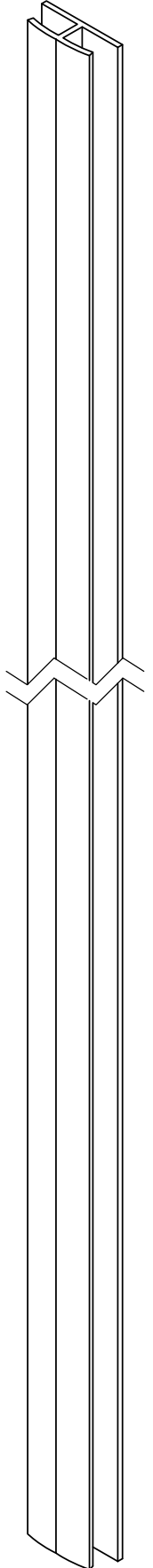
23006
x1



42615
x2



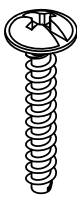
74407
x1



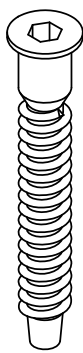
25281
x1



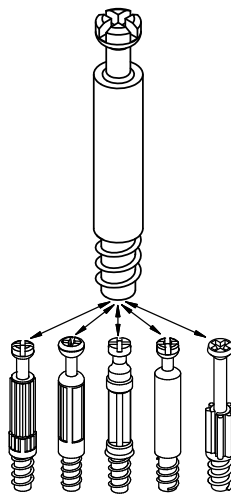
25506
x1



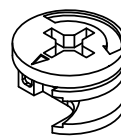
25610
x4



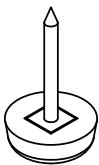
31513
x4



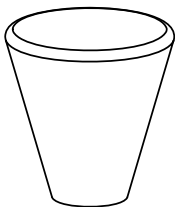
31687
x4



63001
x4



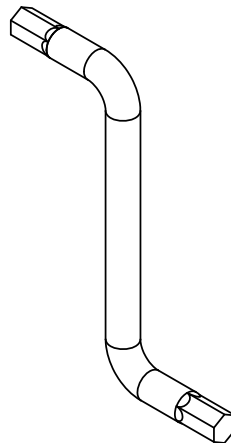
81018
x1

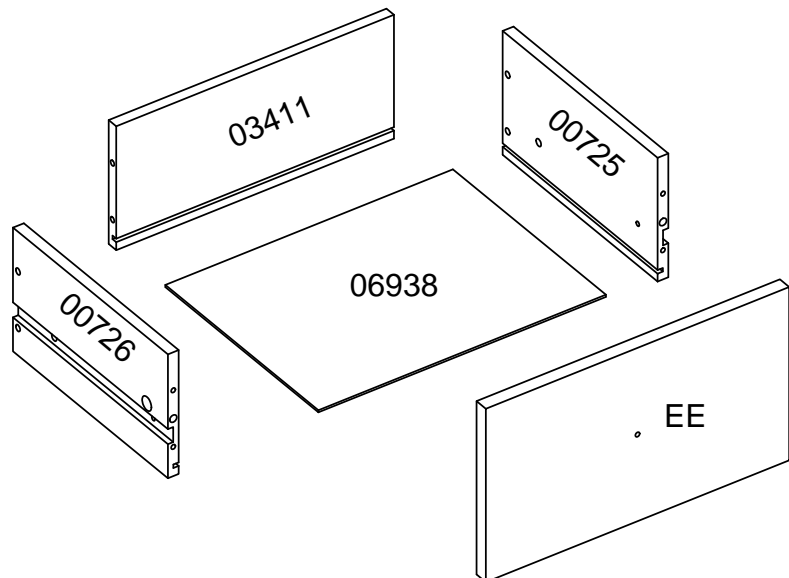
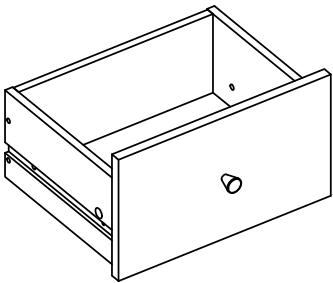
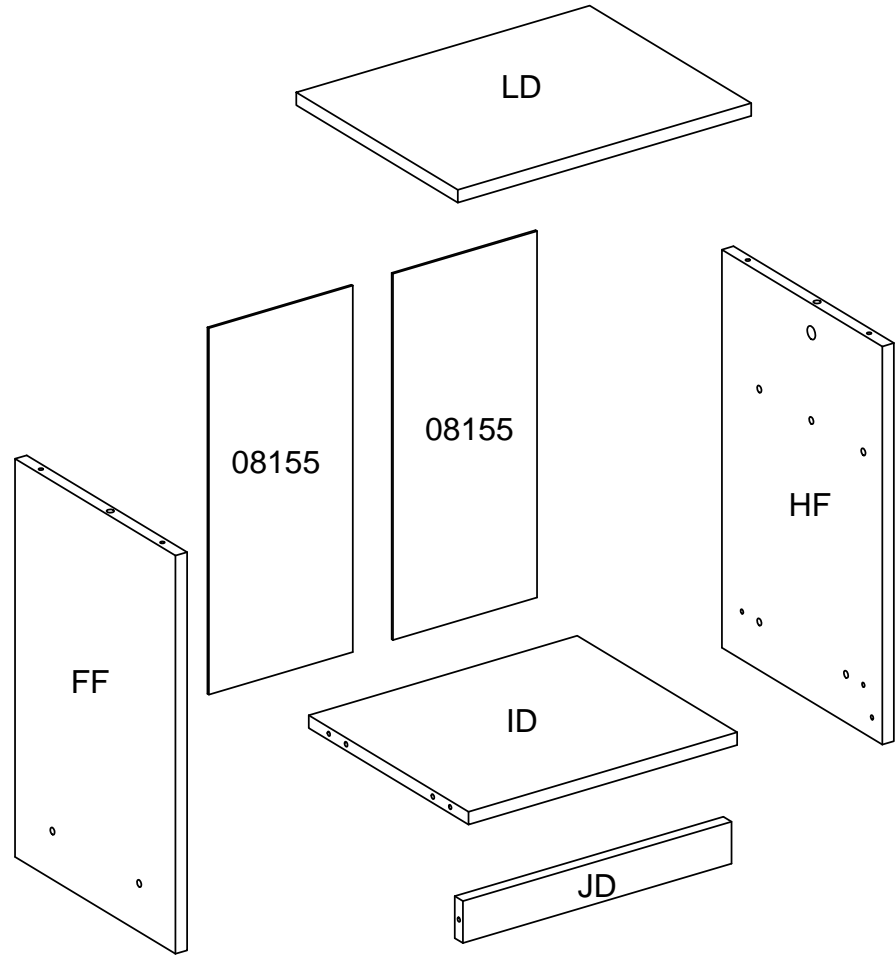
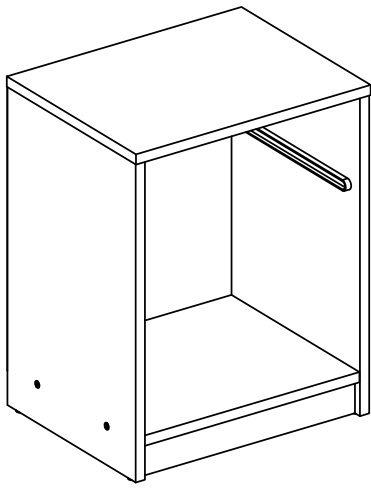


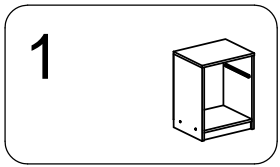
97201
x2



97642
x1

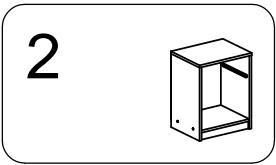
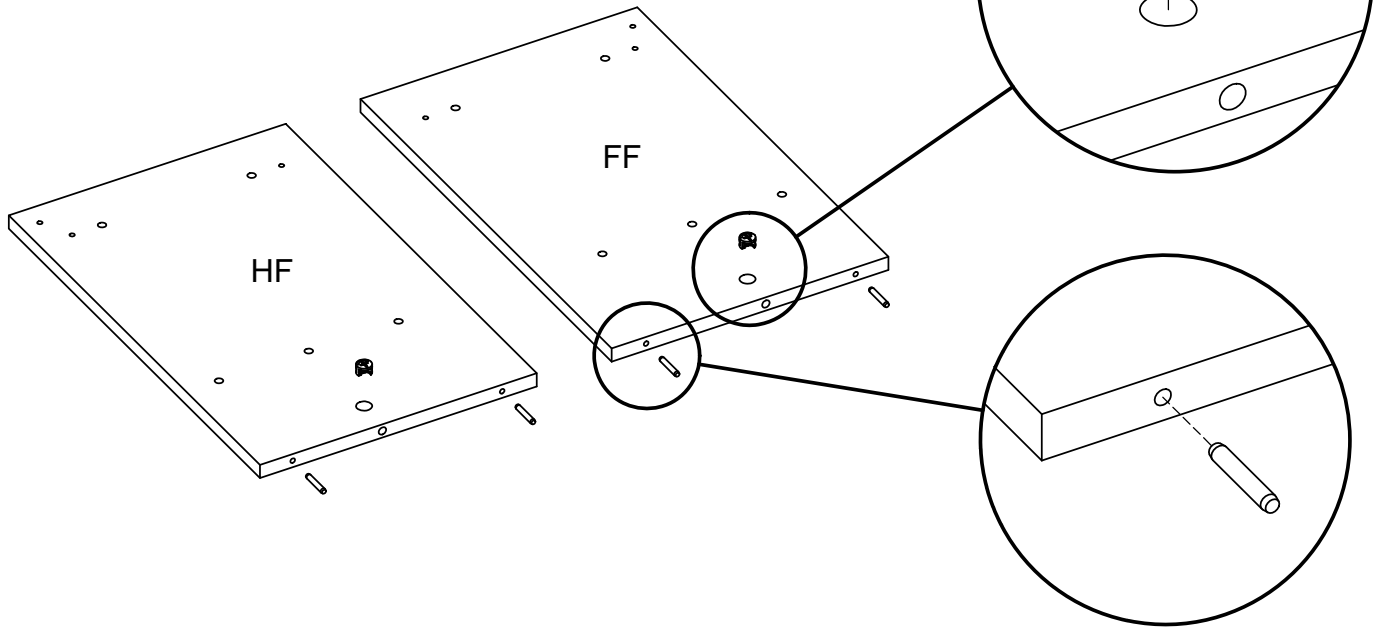




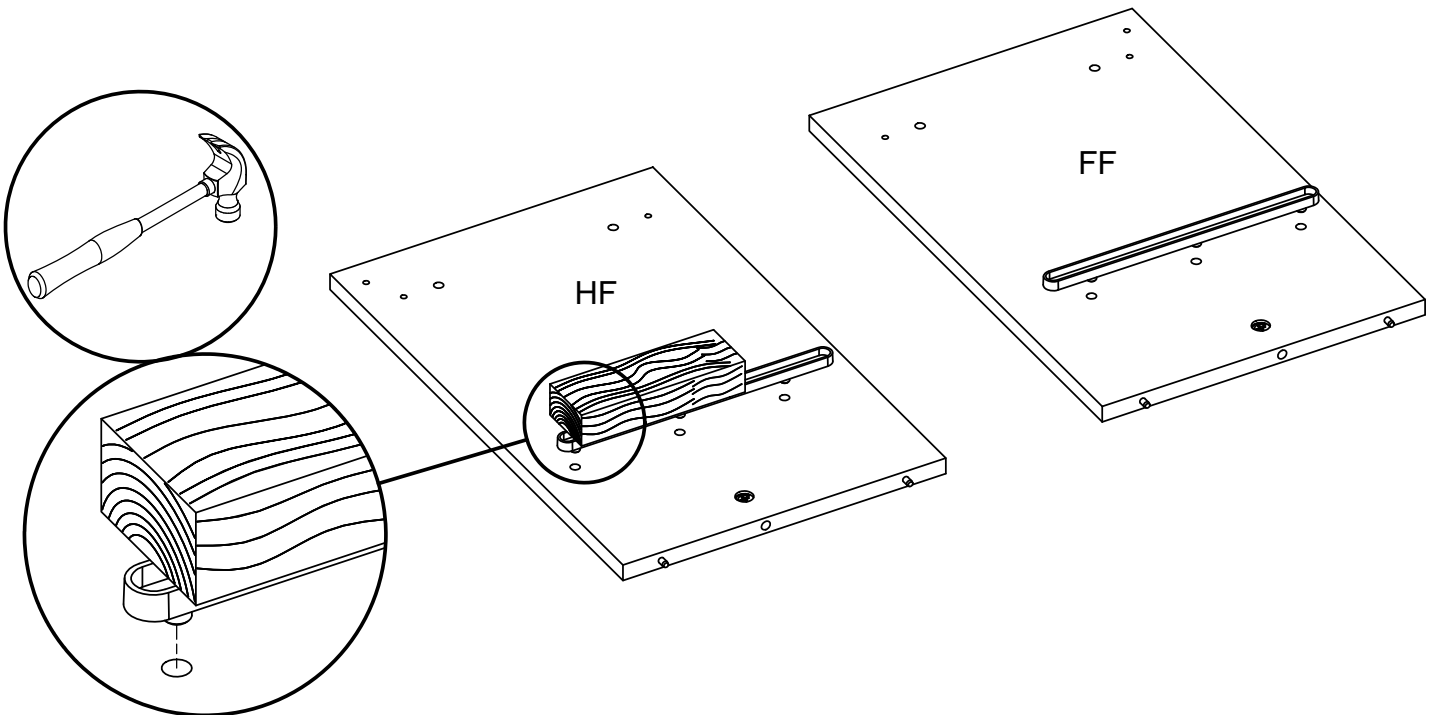
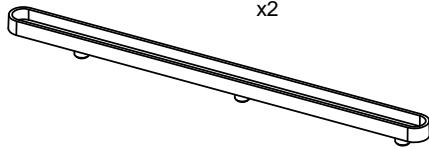


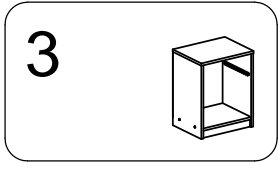
20203
x4

31687
x2

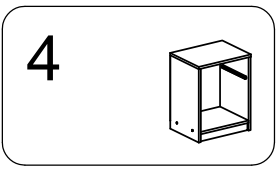
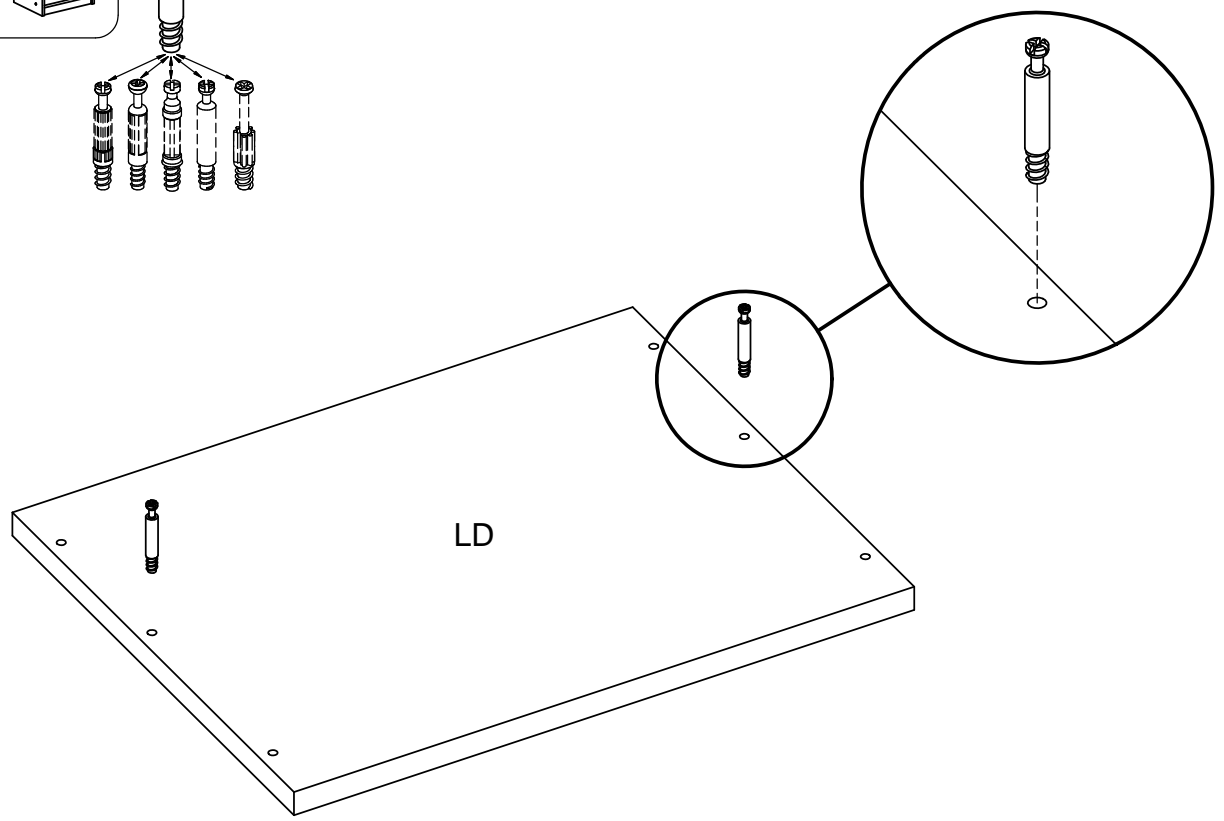
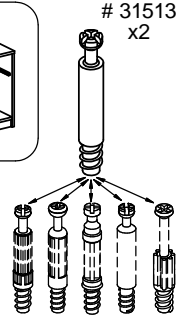


42615
x2



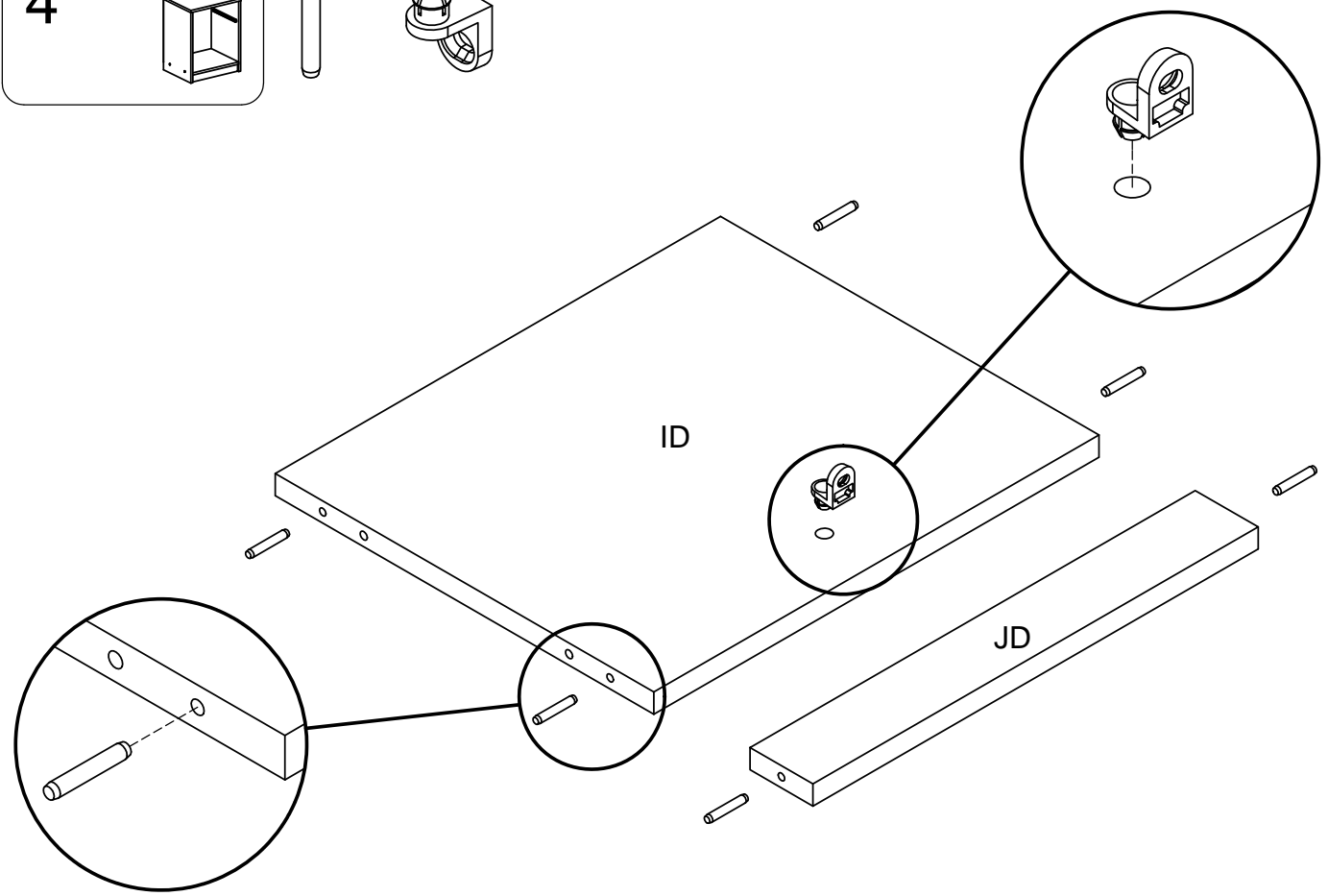
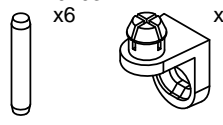


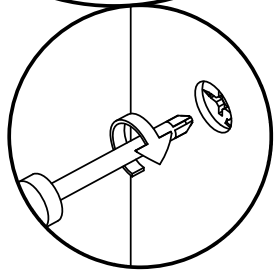
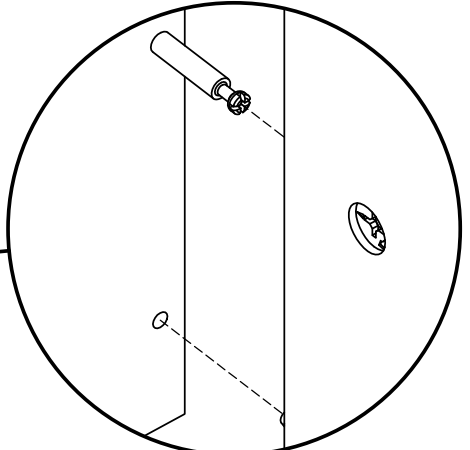
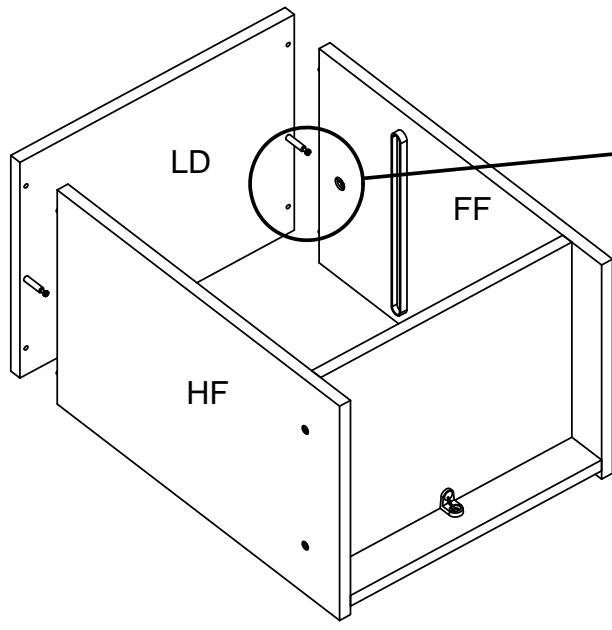
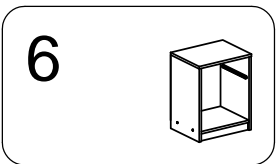
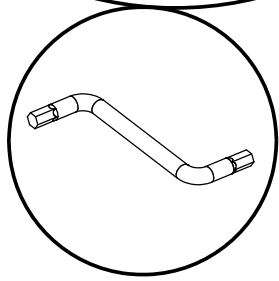
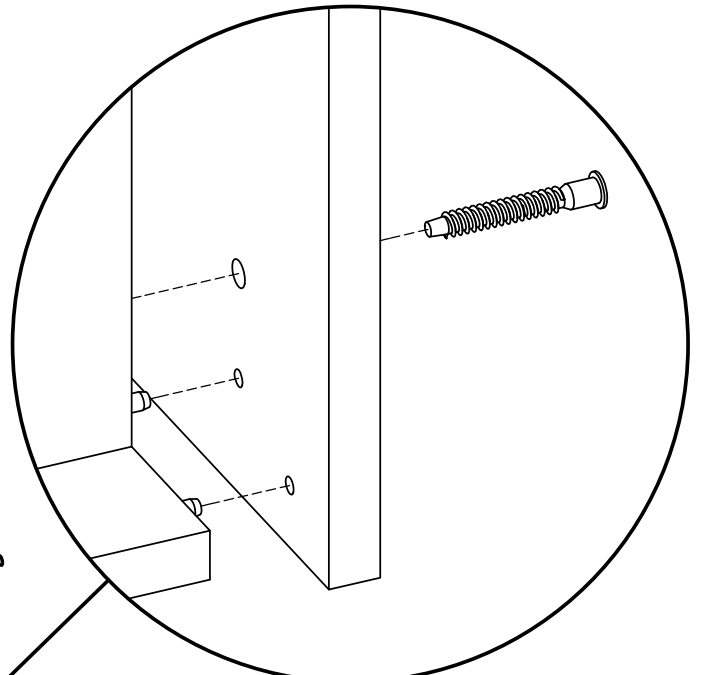
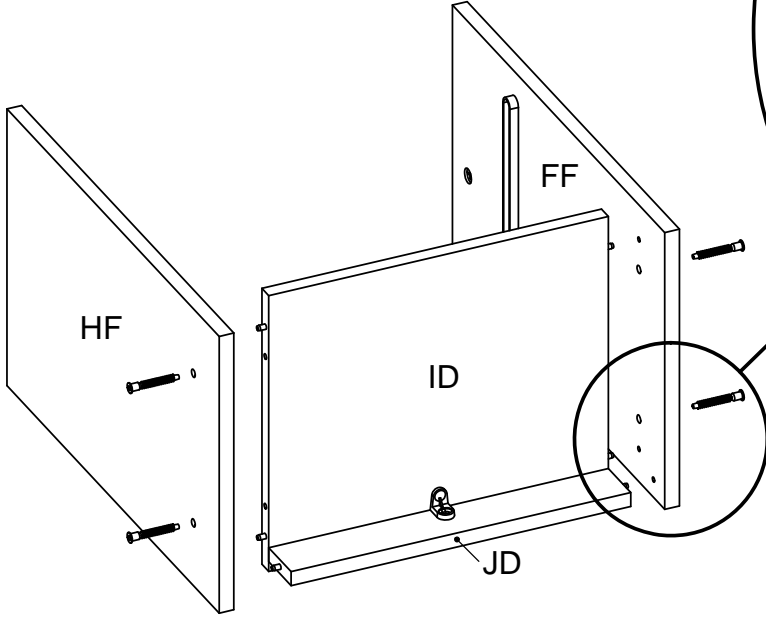
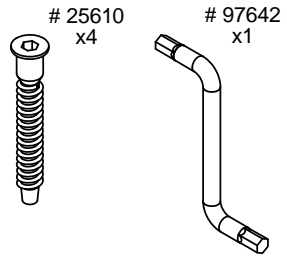
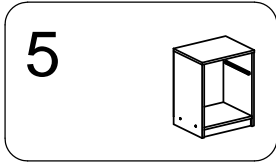
31513
x2

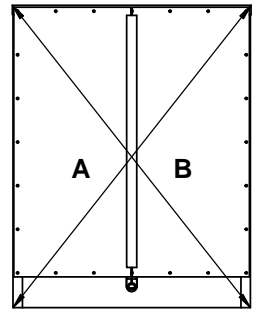
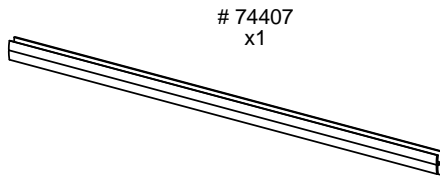
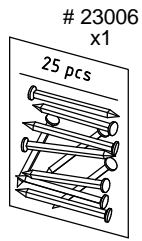
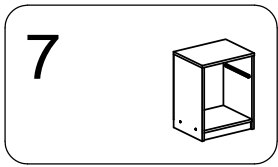


20203
x6

11023
x1







A = B

