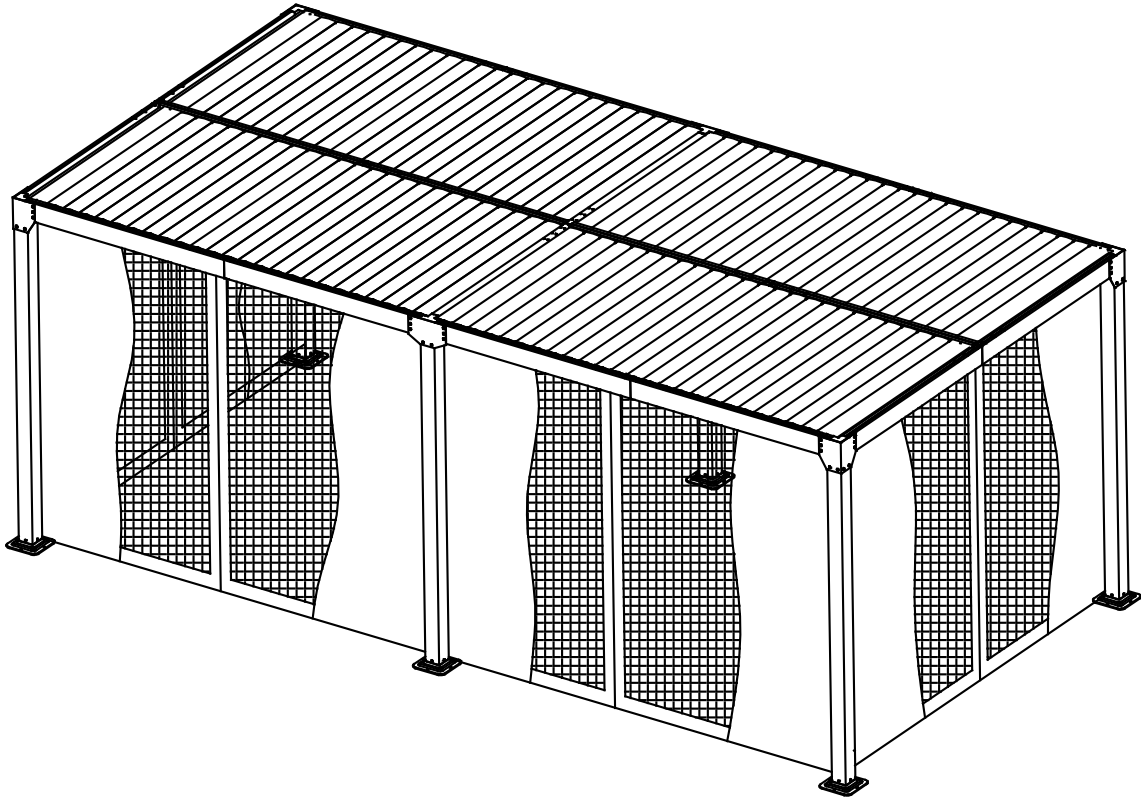


# INSTRUCTION MANUAL

SKU: WQG-205BK-1 / WQG-205WH-1

## 12FT x 24FT GAZEBO



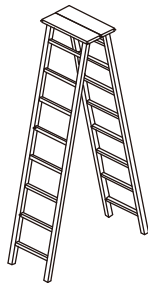
**Note: The gazebo needs to be installed in cooperation with six people. The following tools are not included and needed for assembly:**



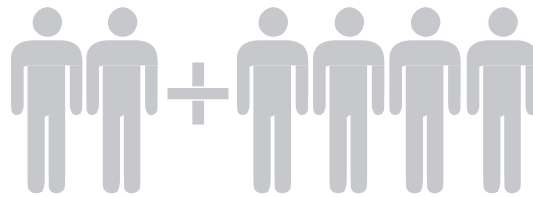
Pistol Drill



Tape Measure



2 m Adjustable Ladder

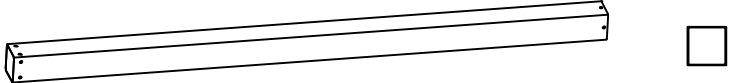
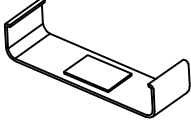
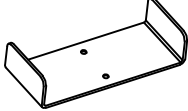
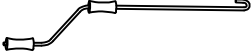



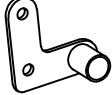
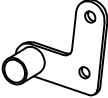



6 people





### Warning

1. 6 person assembly is required for this gazebo.
2. Please take appropriate actions as heavy rain, wind and snow can damage the gazebo. If necessary please disassemble and store for later use.
3. In snowy conditions, please do not allow the thickness of the snow to be more than 1.97 inches on the roof, this should be cleared as soon as possible for your safety. When the wind speed reaches 38mph, please take measures to avoid the wind.

## Parts List ( BOX A )








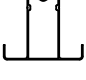


PART NO	DESCRIPTION	QTY	PART NAME
A		3	
F		2	
F1		1	
J		2	
L		4	
M		4	
N		4	
Q		4	
R		4	
S		8	

## Parts List ( BOX A )








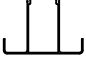




PART NO	DESCRIPTION	QTY	PART NAME
T		4	
U		8	
X		4	
PP		2	





Parts List ( BOX B )

PART NO	DESCRIPTION	QTY	PART NAME
B	 	2	
C1	 	1	
D	 	2	
D1	 	1	
E	 	2	



Parts List ( BOX C )

PART NO	DESCRIPTION	QTY	PART NAME
B1	 	2	
C	 	2	
C1	 	1	
D1	 	1	
E1	 	2	
E2	 	2	

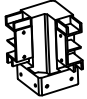
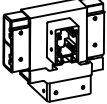

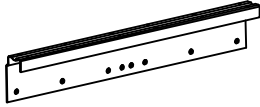
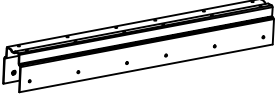

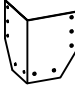
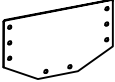
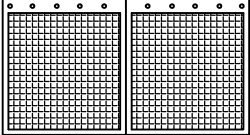
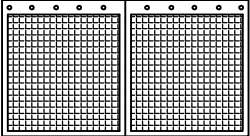
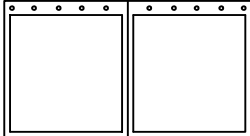
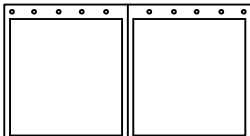
Parts List ( BOX D )

PART NO	DESCRIPTION	QTY	PART NAME
G		2	
H		60	


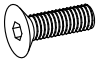
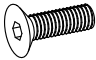







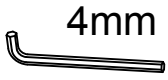
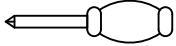
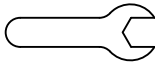

Parts List ( BOX E )

PART NO	DESCRIPTION	QTY	PART NAME
G		2	
H		60	

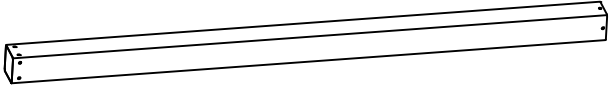
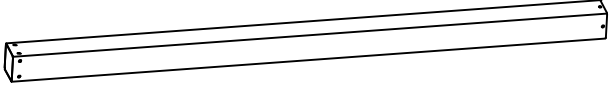

## Parts List ( BOX F )

PART NO	DESCRIPTION	QTY	PART NAME
K		4	
K1		2	
O		6	
V		6	
W		2	
W1		1	
P		4	
P1		2	
Y		4	
Y1		2	
Z		4	
Z1		2	

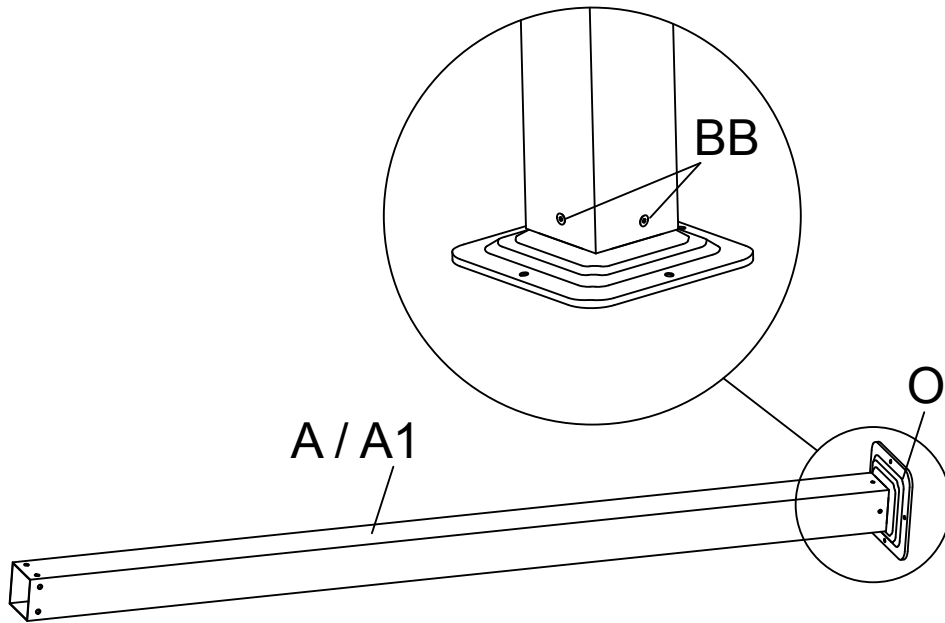
# Parts List (BOX F )

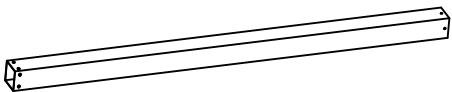
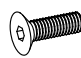
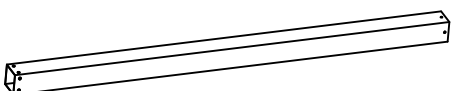

PART NO	DESCRIPTION	QTY	PART NAME
AA	 M6*18	84+2	
BB	 M6*15	116+2	
CC	 M6*13	8	
DD	 M4*12	10	
EE	 M6*10	196+3	
FF	 M6	16	
GG	 M6*40	8	
HH	 M4*20	4	
II	 4mm  4mm  4mm	3	
JJ		1	
KK	 10mm	1	
NN	 M6*50	24	

# Parts List (BOX G )

PART NO	DESCRIPTION	QTY	PART NAME
A	 <input type="checkbox"/>	1	
A1	 <input type="checkbox"/>	2	
I		8	

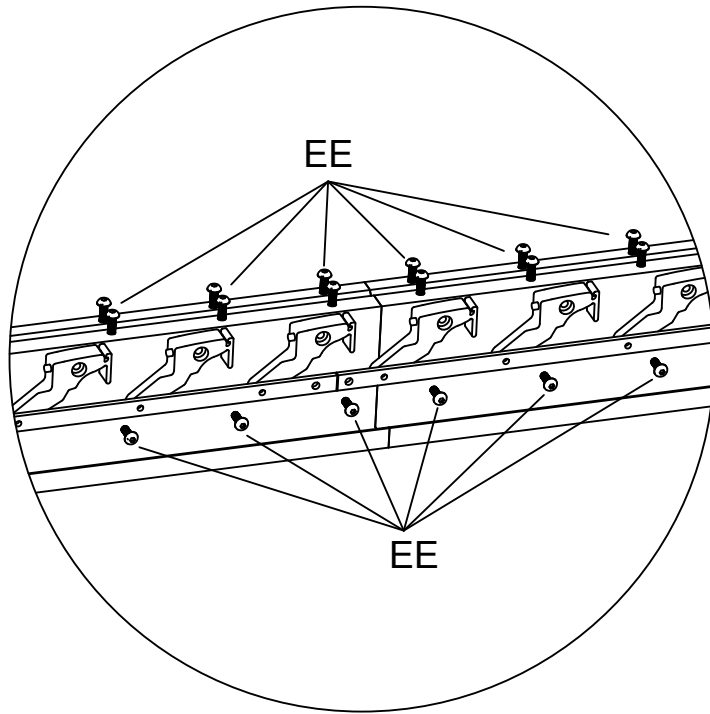
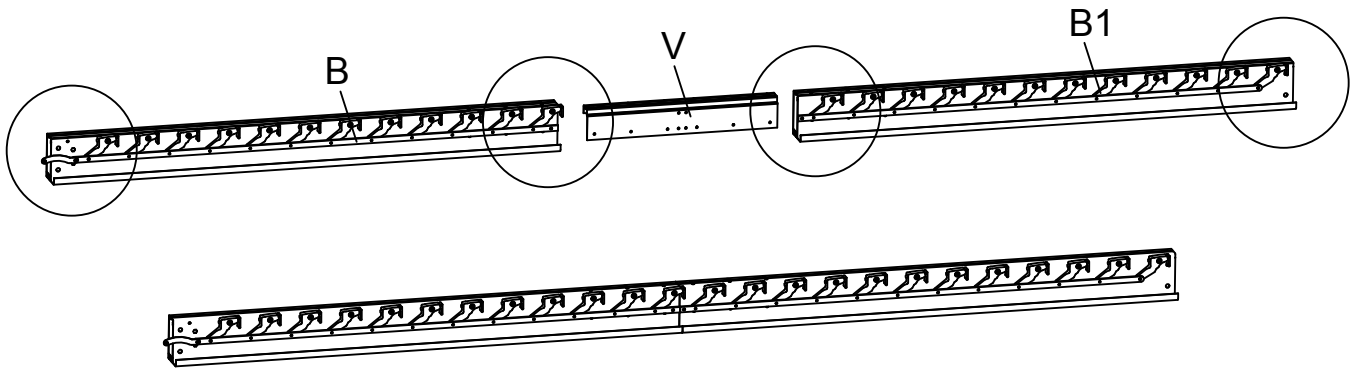
1




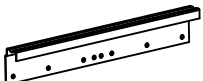


A	4		BB	24	 M6*15
A1	2		O	6	



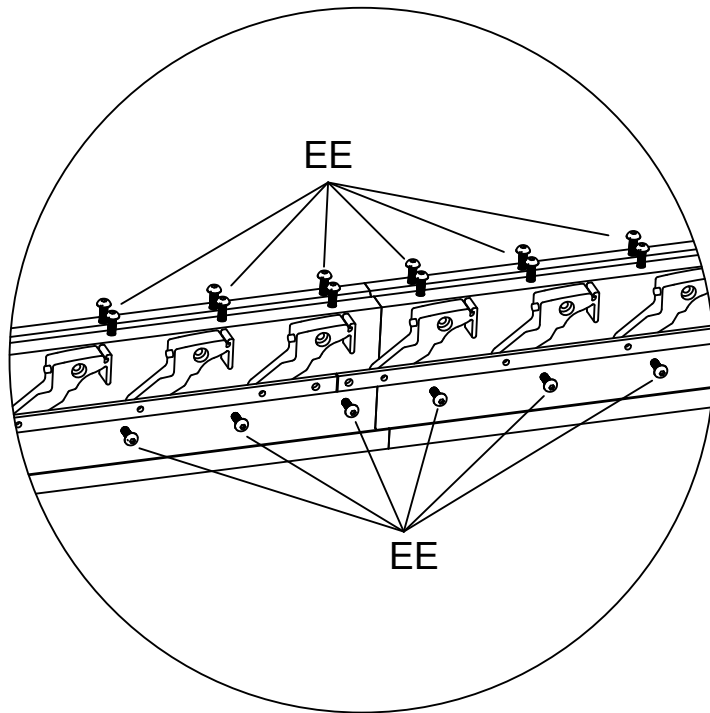
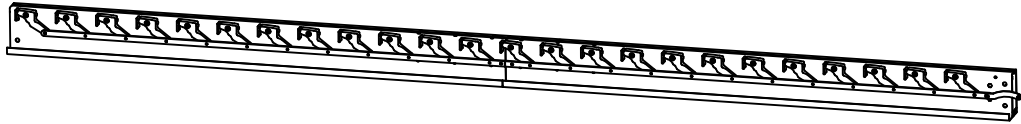
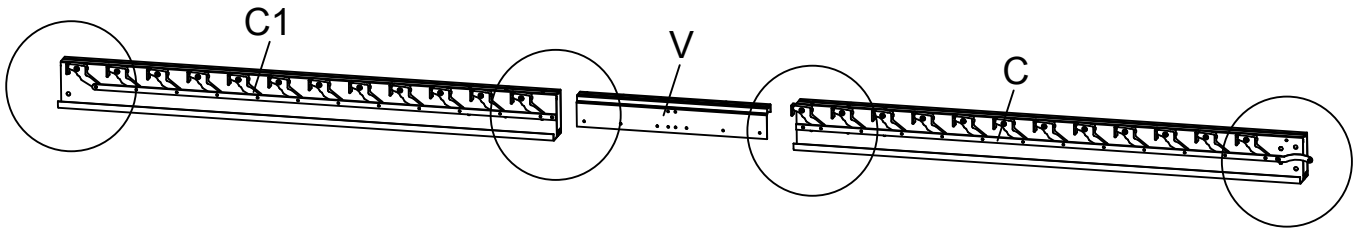
2




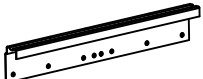


X2

B	2		V	2	
B1	2		EE	36	 M6*10

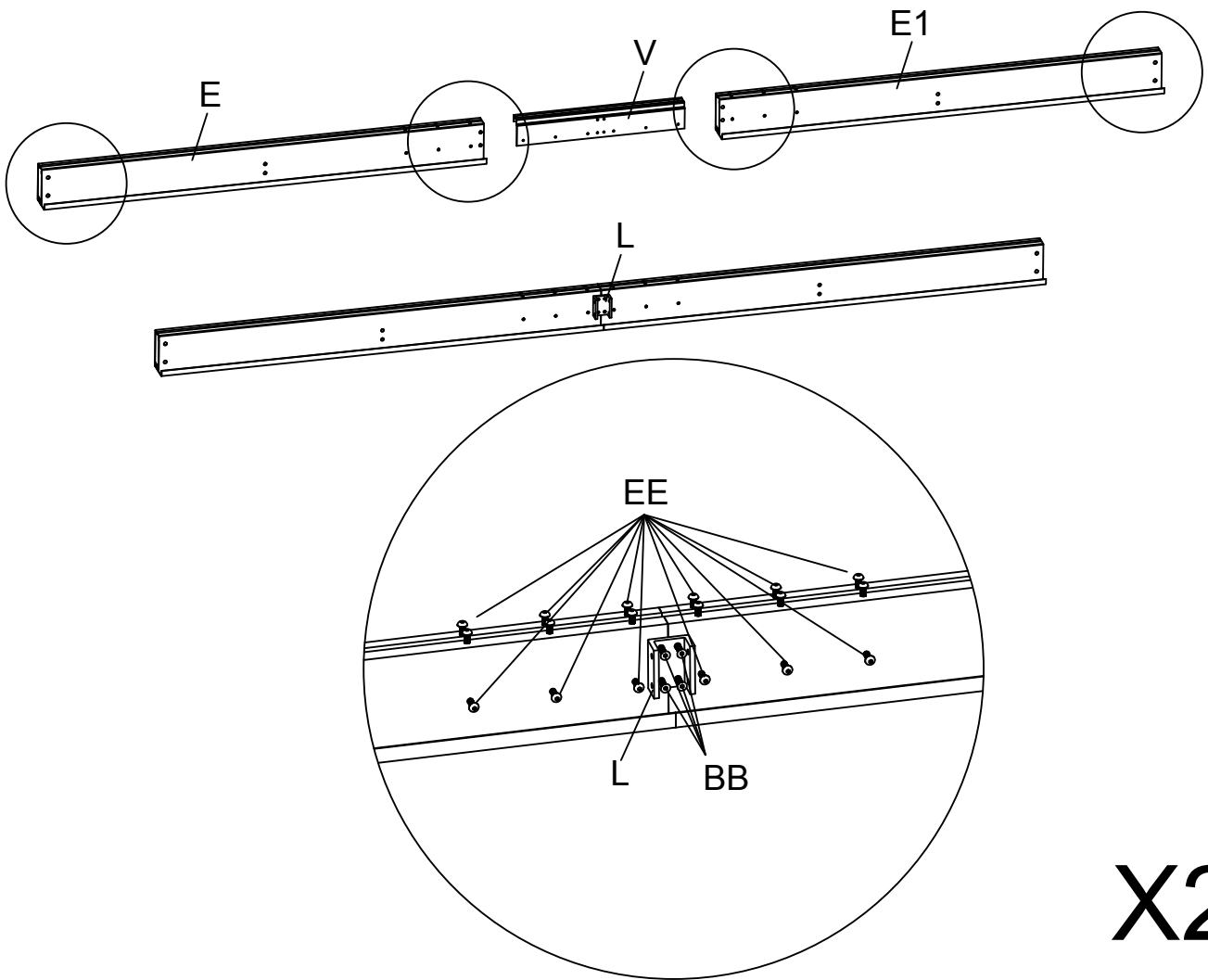
3



X2

C	2		V	2	
C1	2		EE	36	 M6*10

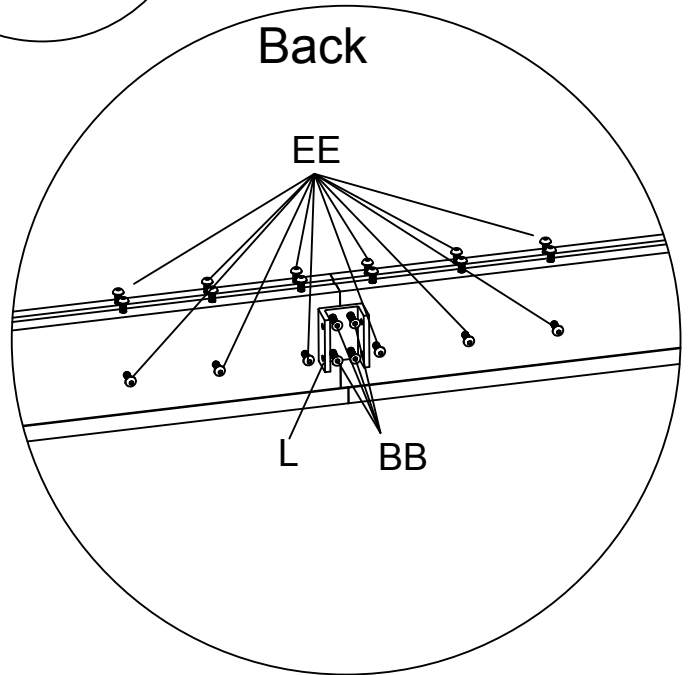
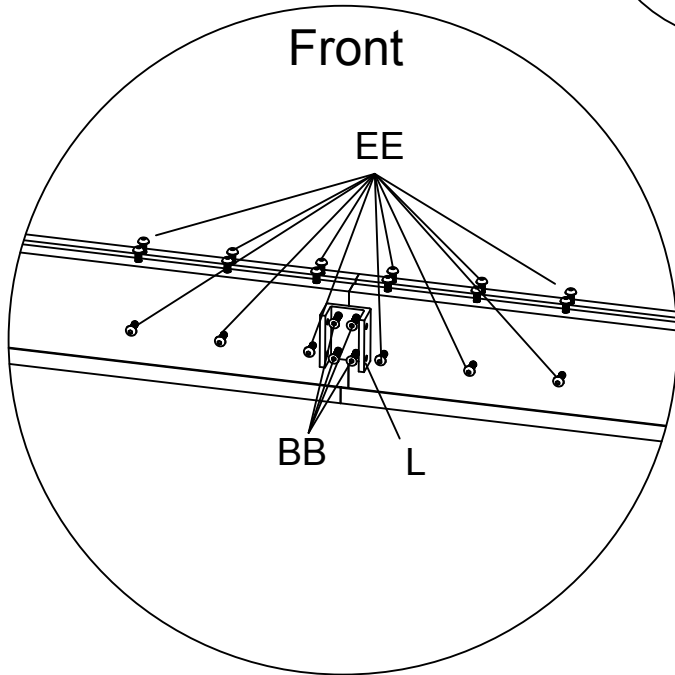
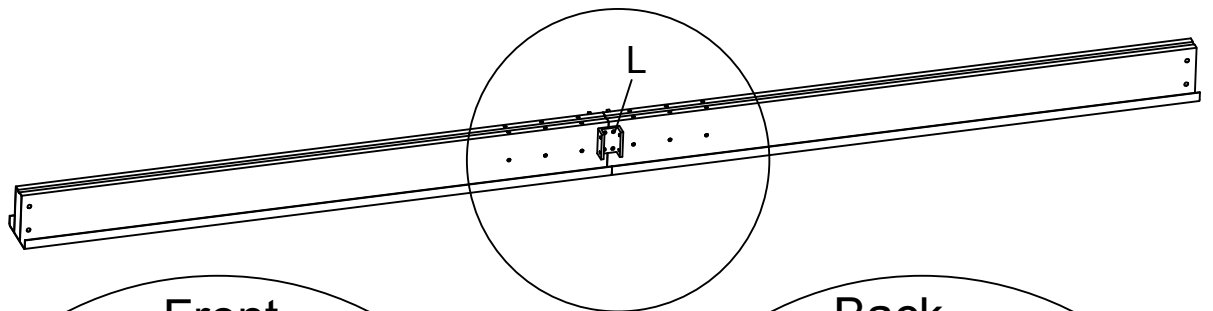
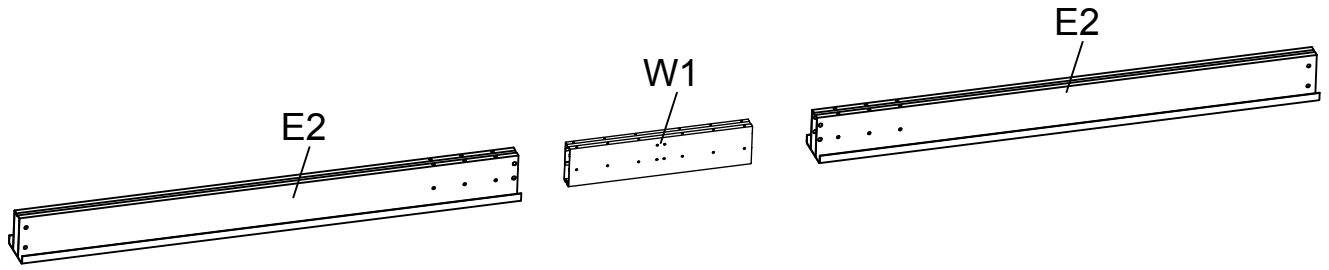
4


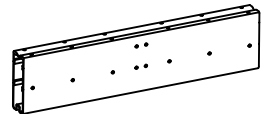
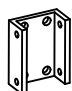
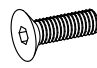
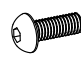


X2

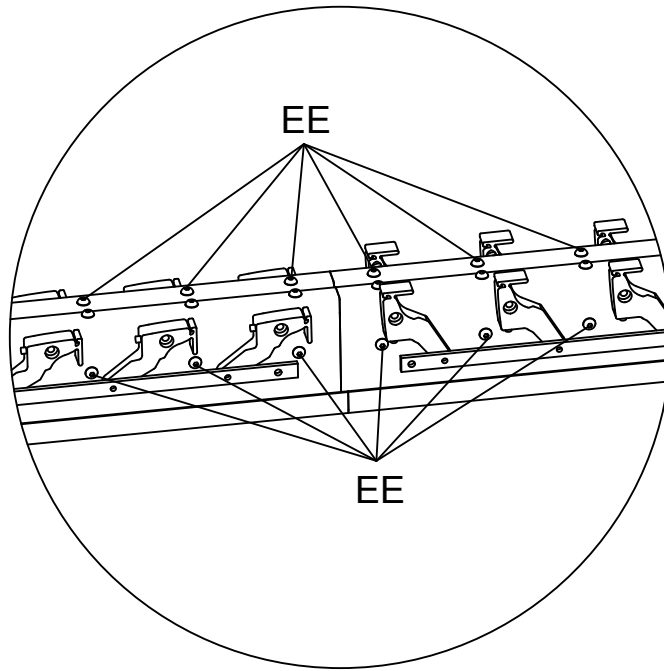
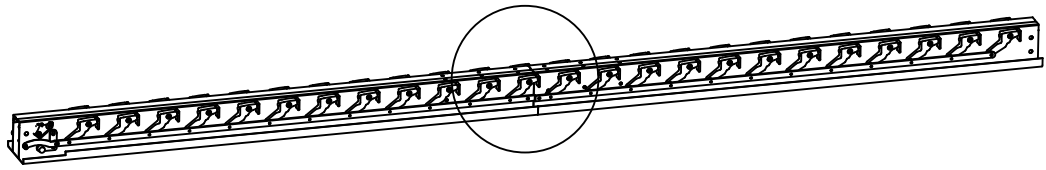
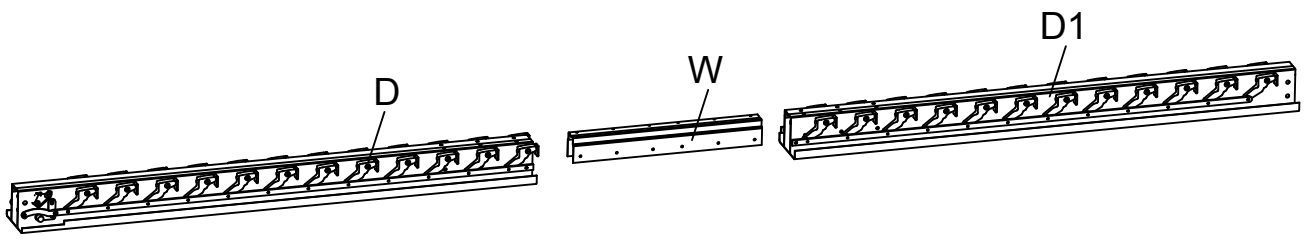
E	2		V	2	
E1	2		BB	8	
L	2		EE	36	

5


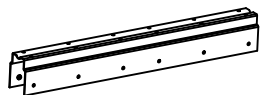

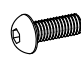


E2	2		W1	1	
L	2		BB	8	 M6*15
EE	24	 M6*10			

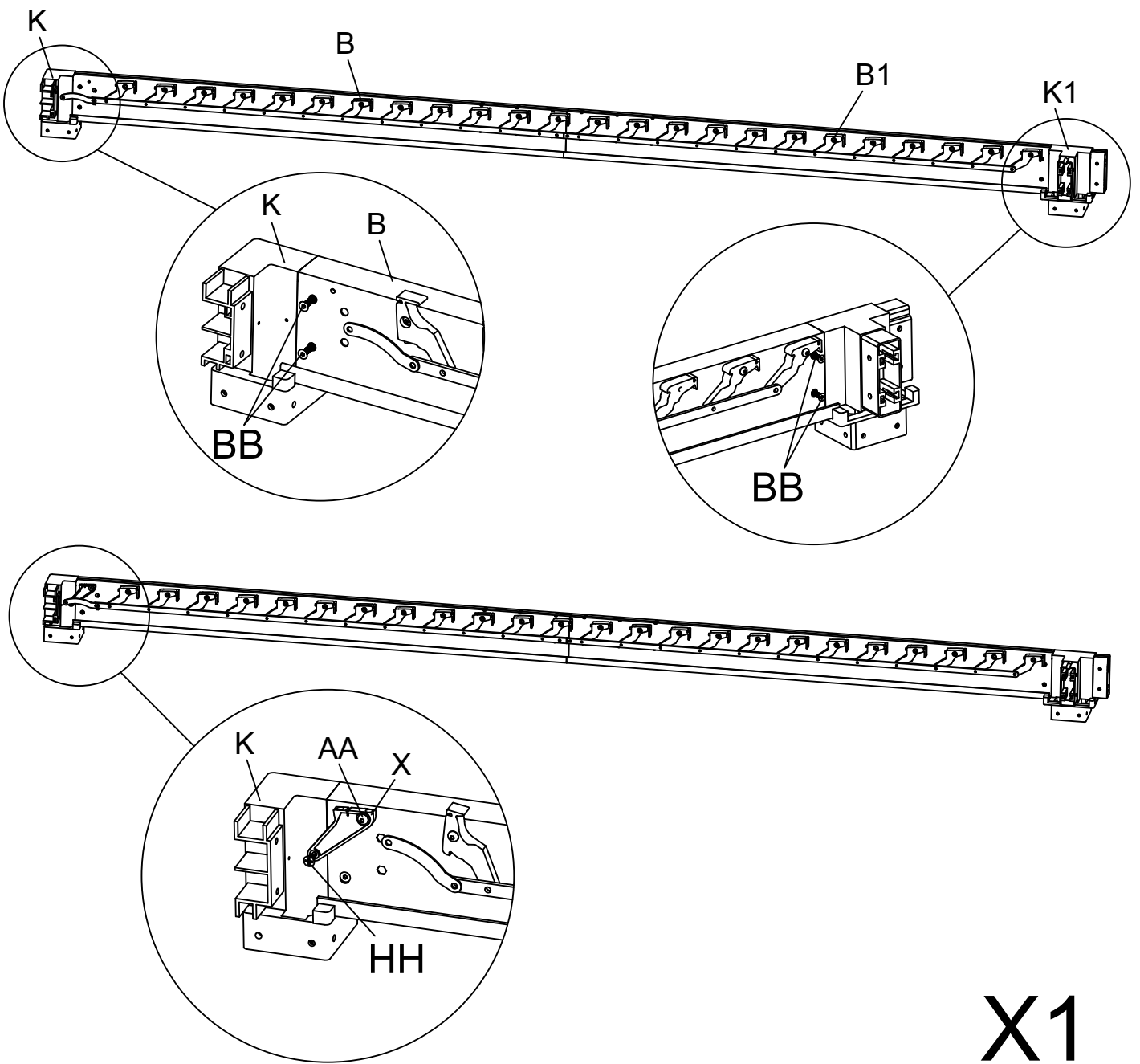
6



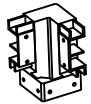

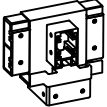
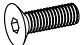


X2

D	2		W	2	
D1	2		EE	48	 M6*10

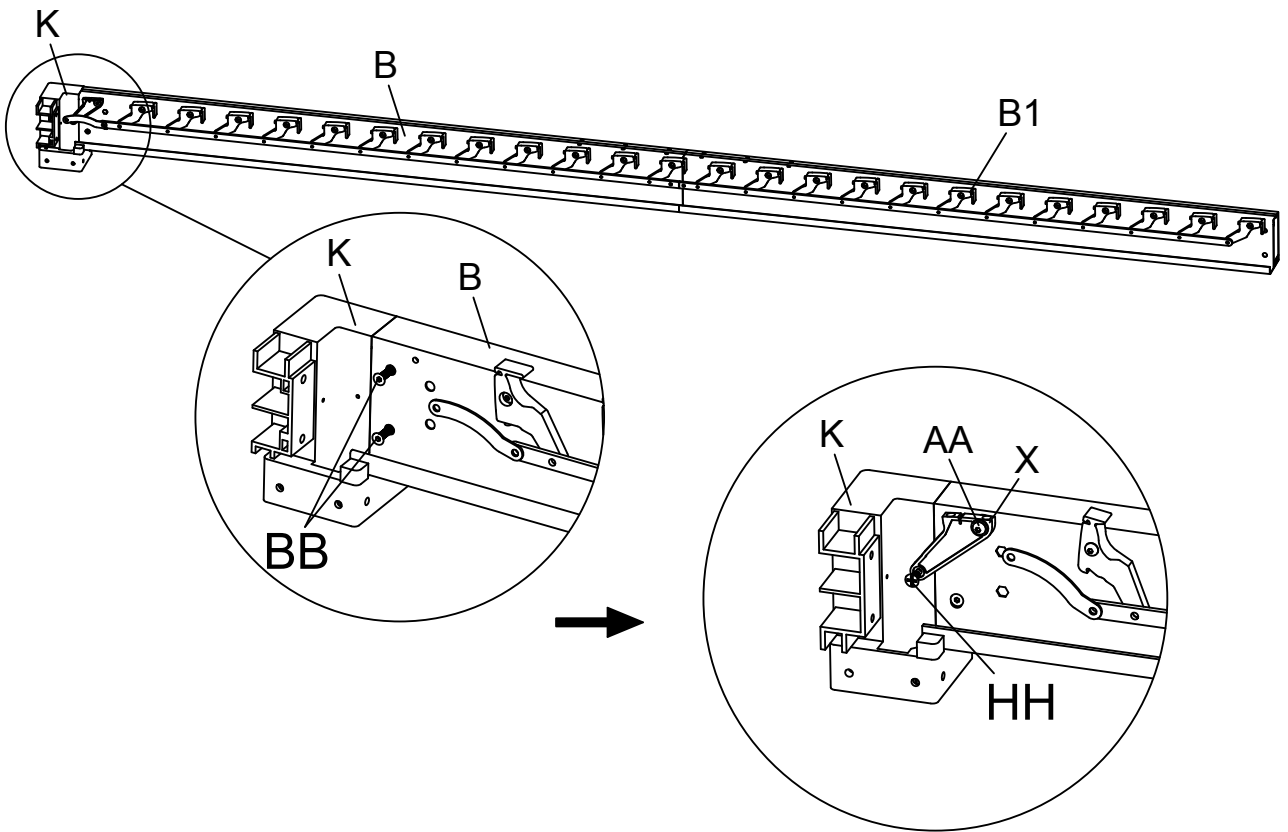
7



X1

K	1		AA	1	 M6*18
K1	1		BB	4	 M6*15
X	1		HH	1	 M4*20

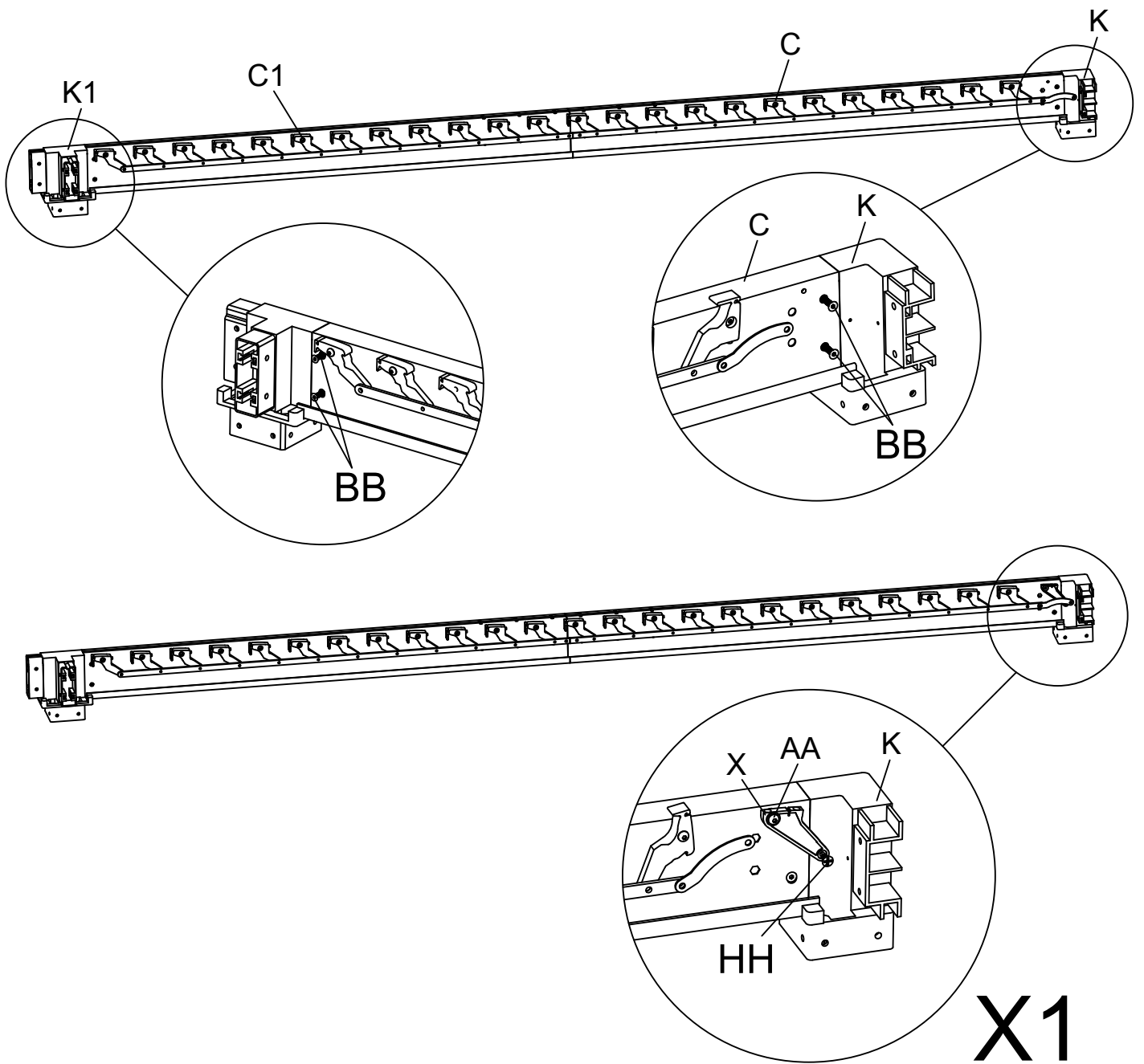
8

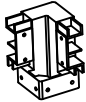

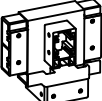
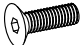




X1

K	1		AA	1	
X	1		BB	2	
			HH	1	

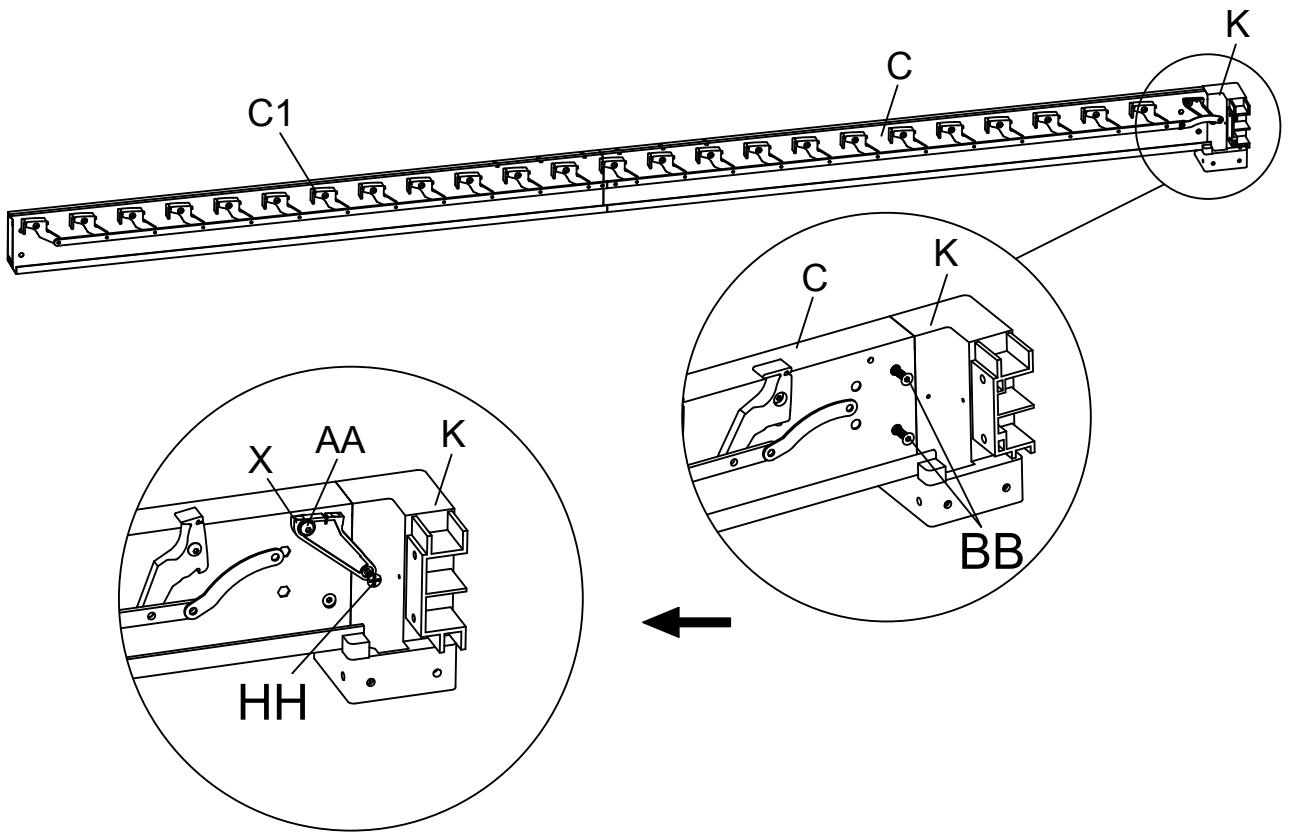
9



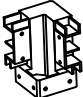




K	1		AA	1	 M6*18
K1	1		BB	4	 M6*15
X	1		HH	1	 M4*20



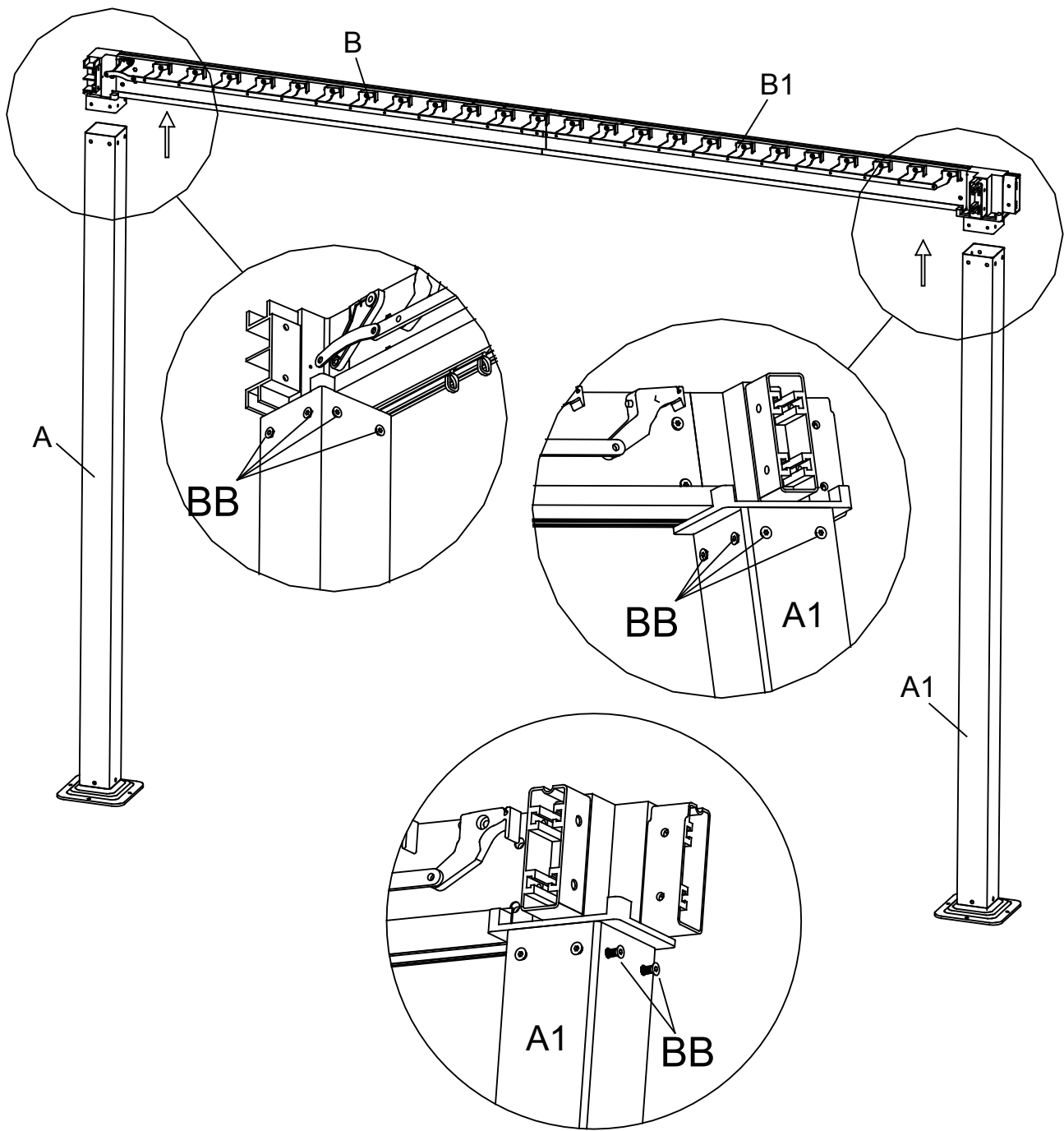
10

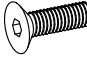


X1

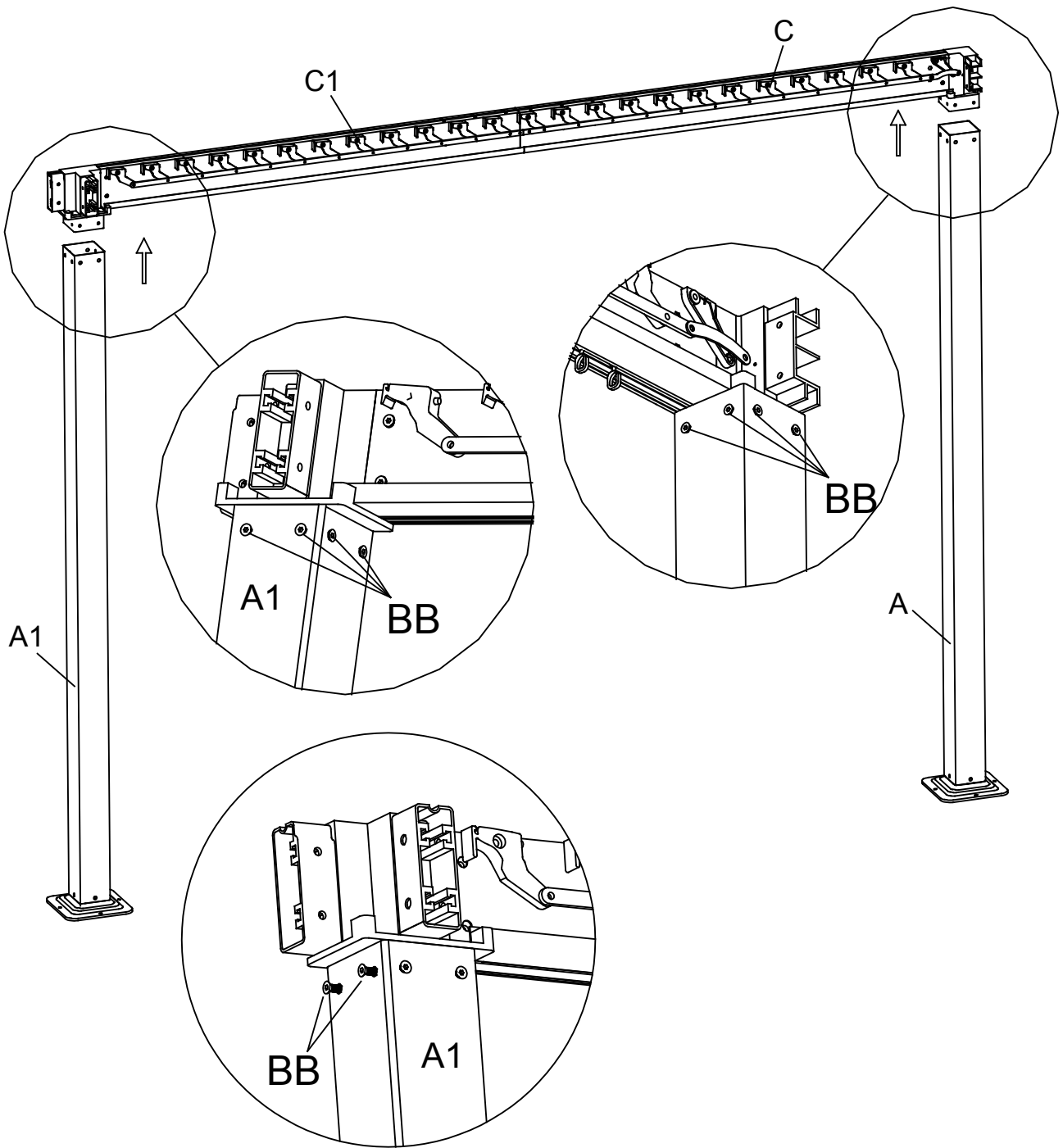
K	1		AA	1	 M6*18
X	1		BB	2	 M6*15
			HH	1	 M4*20

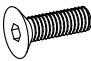
11



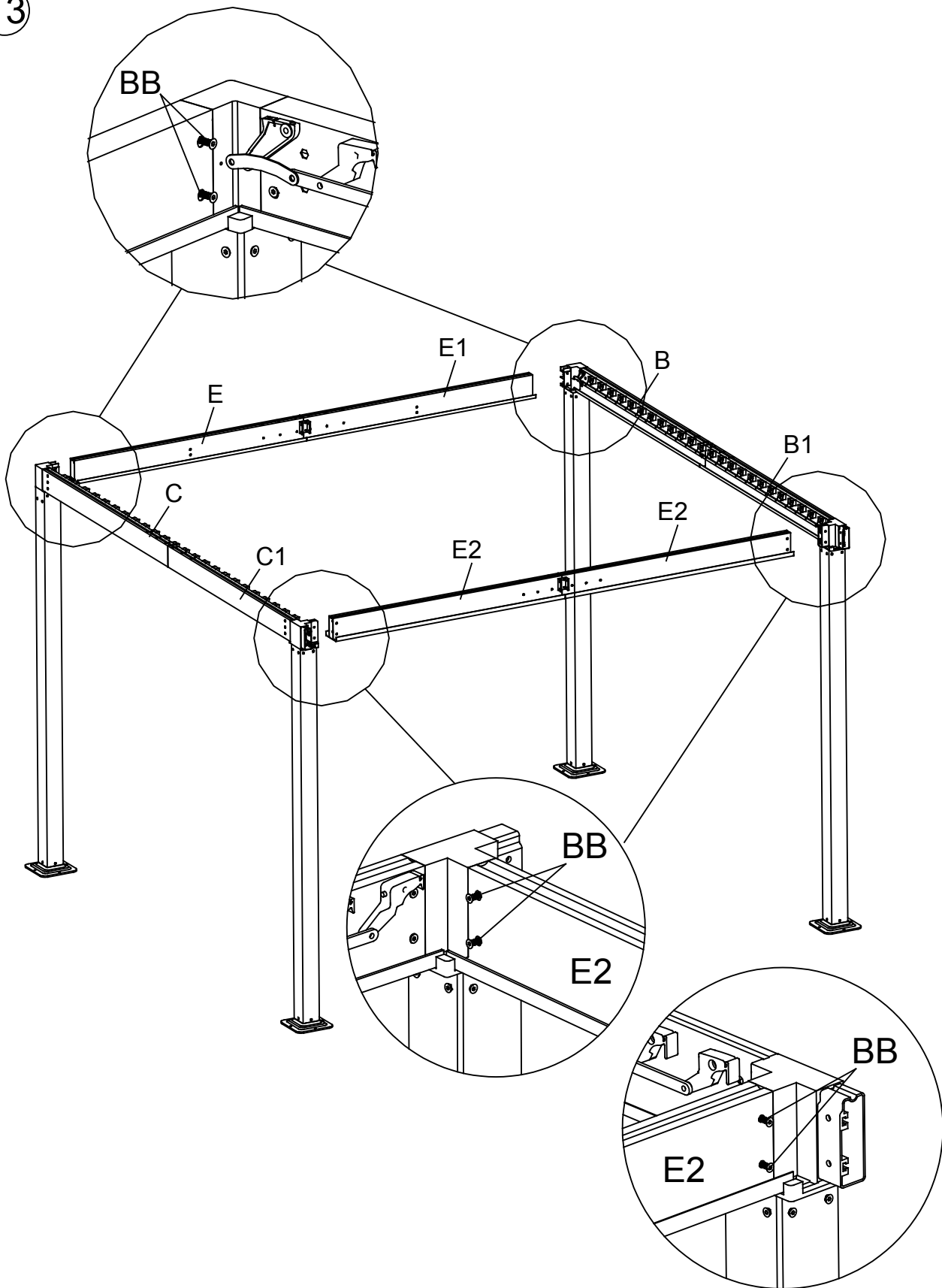
BB	10	 M6*15
----	----	---

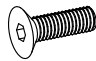
12



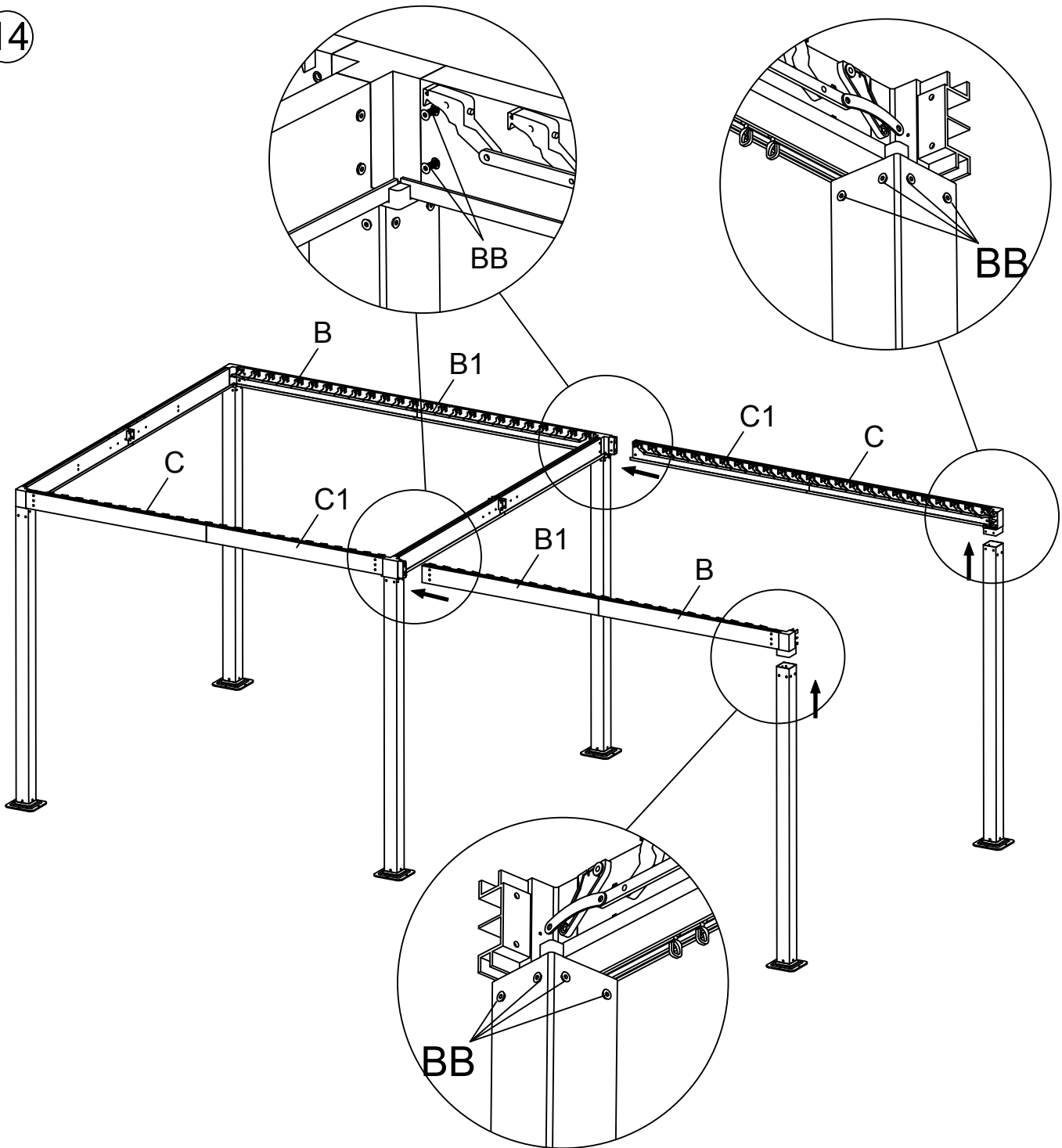
BB	10	 M6*15
----	----	---

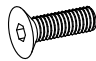
13



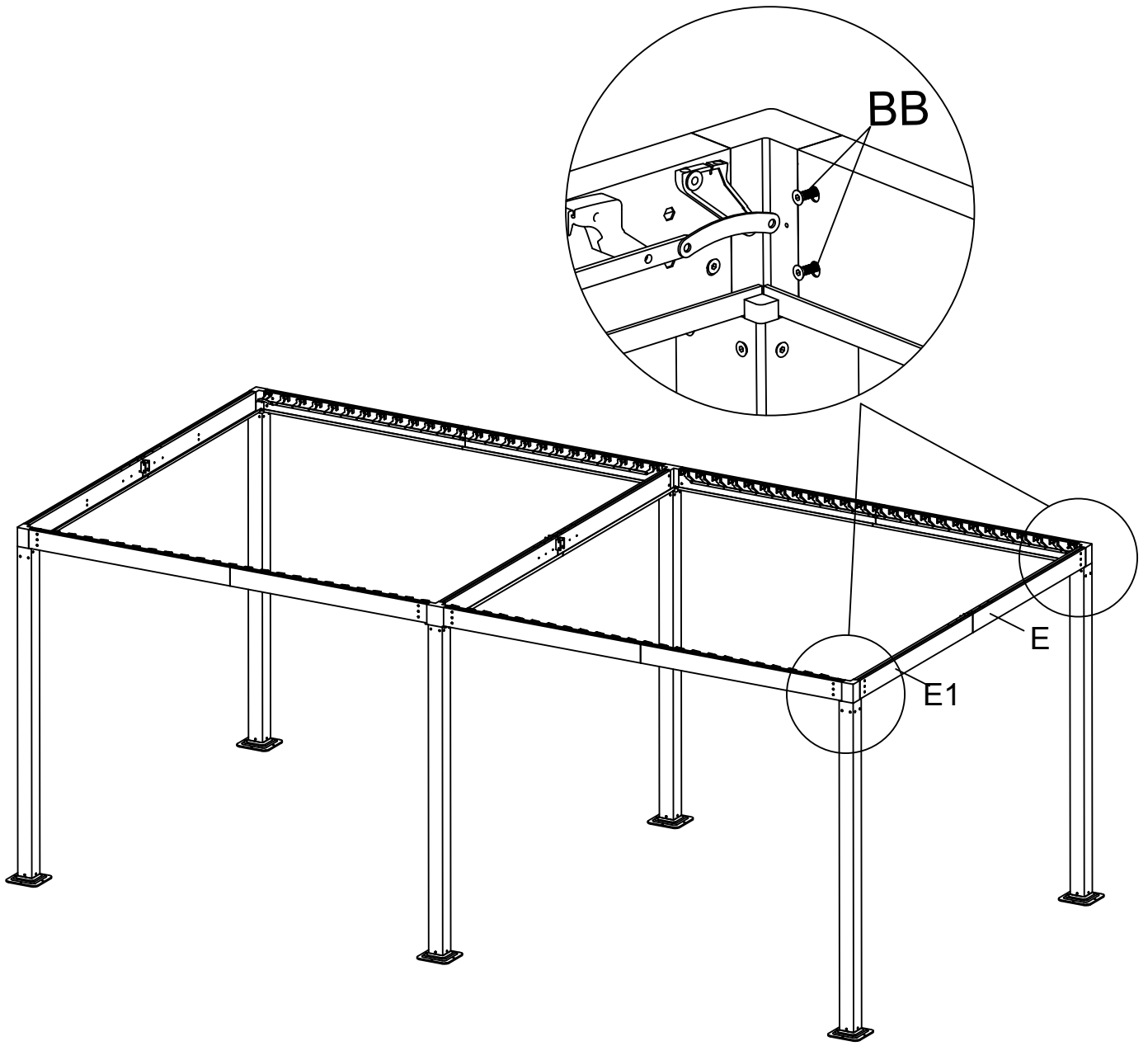
BB	12		M6*15
----	----	---	-------

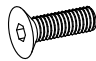
14



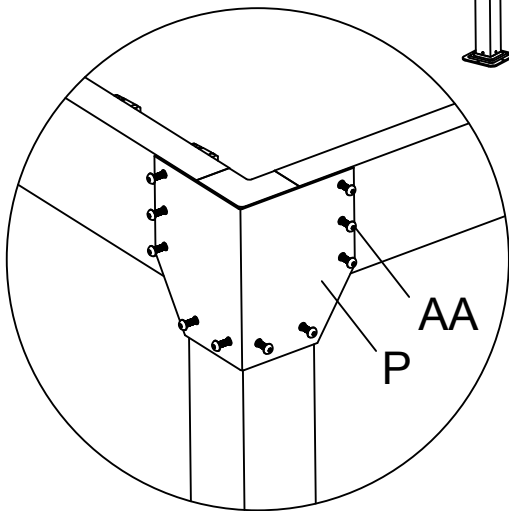
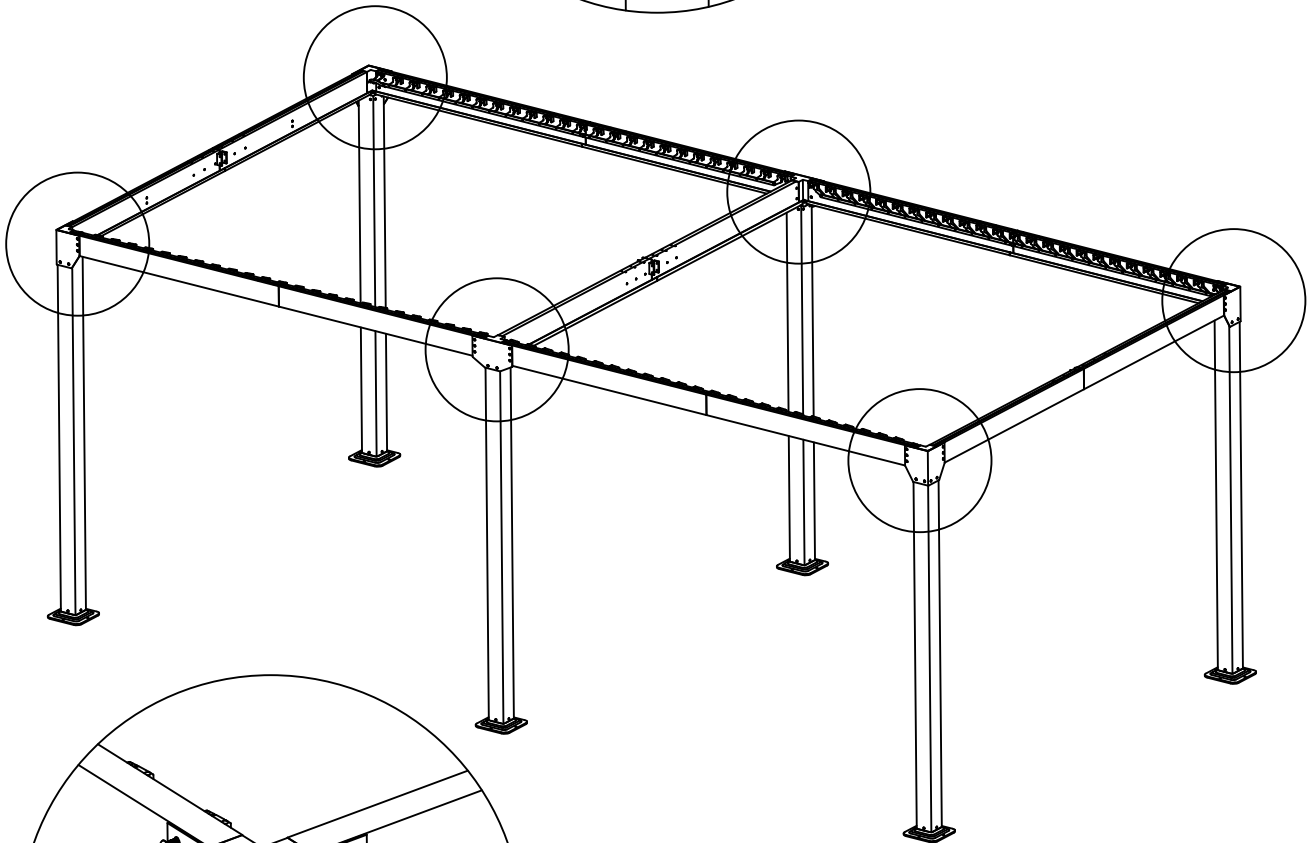
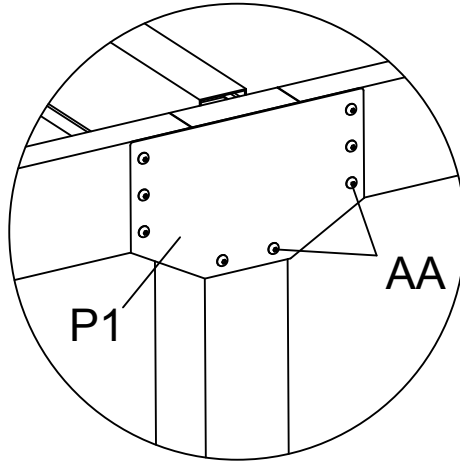
BB	12		M6*15
----	----	---	-------

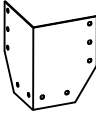
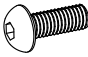
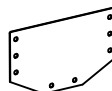
15



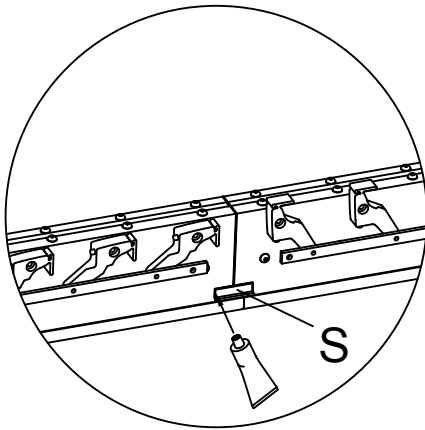
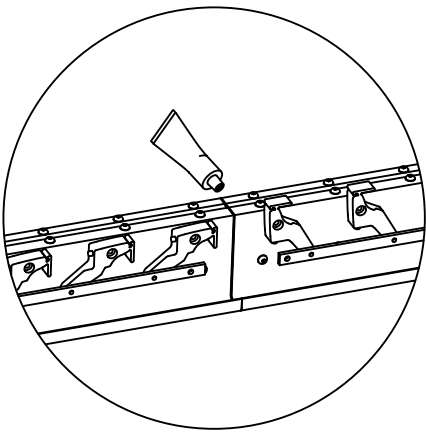
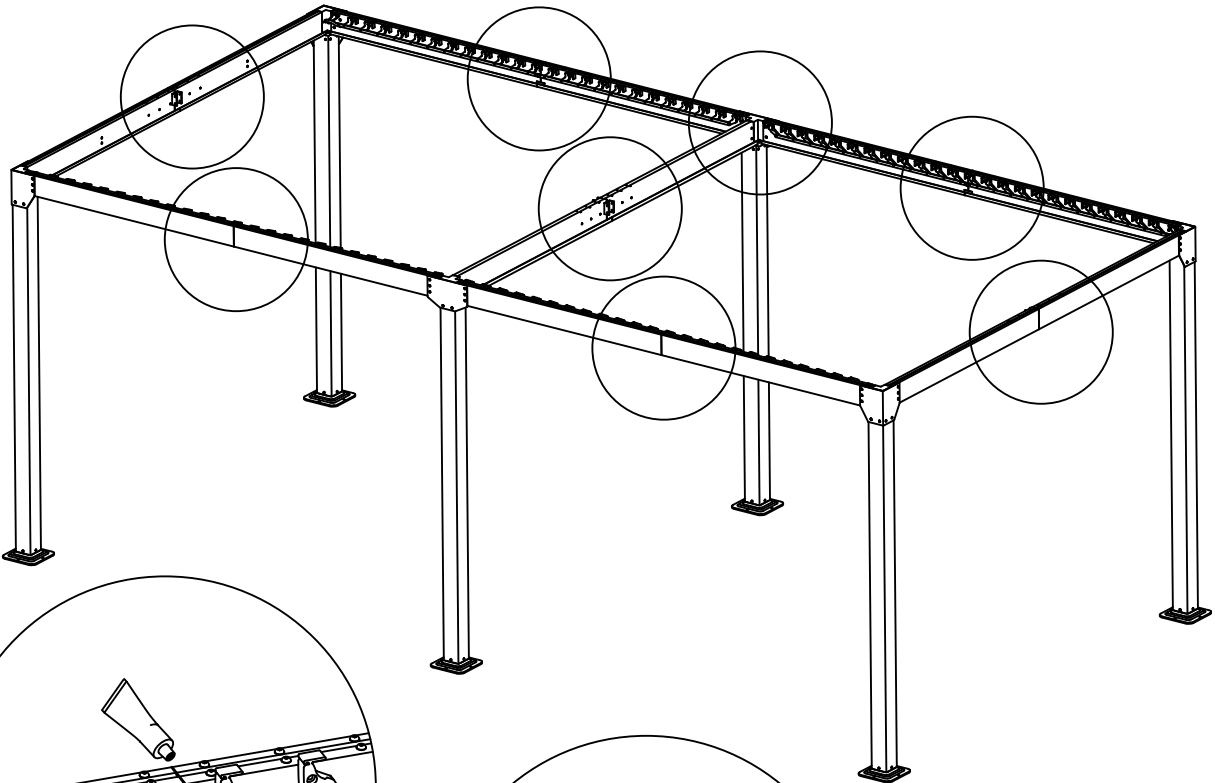
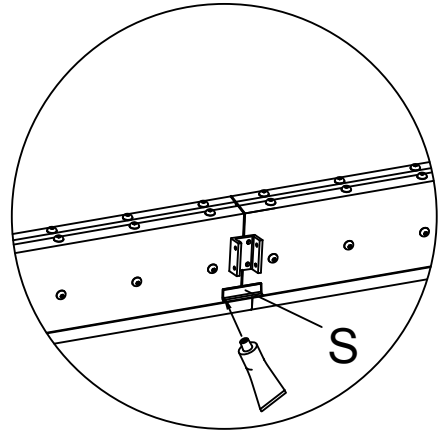
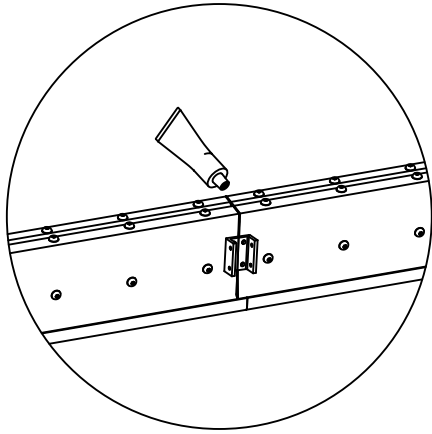
BB	4	 M6*15
----	---	---



16



P	4		AA	56	 M6*18
P1	2				

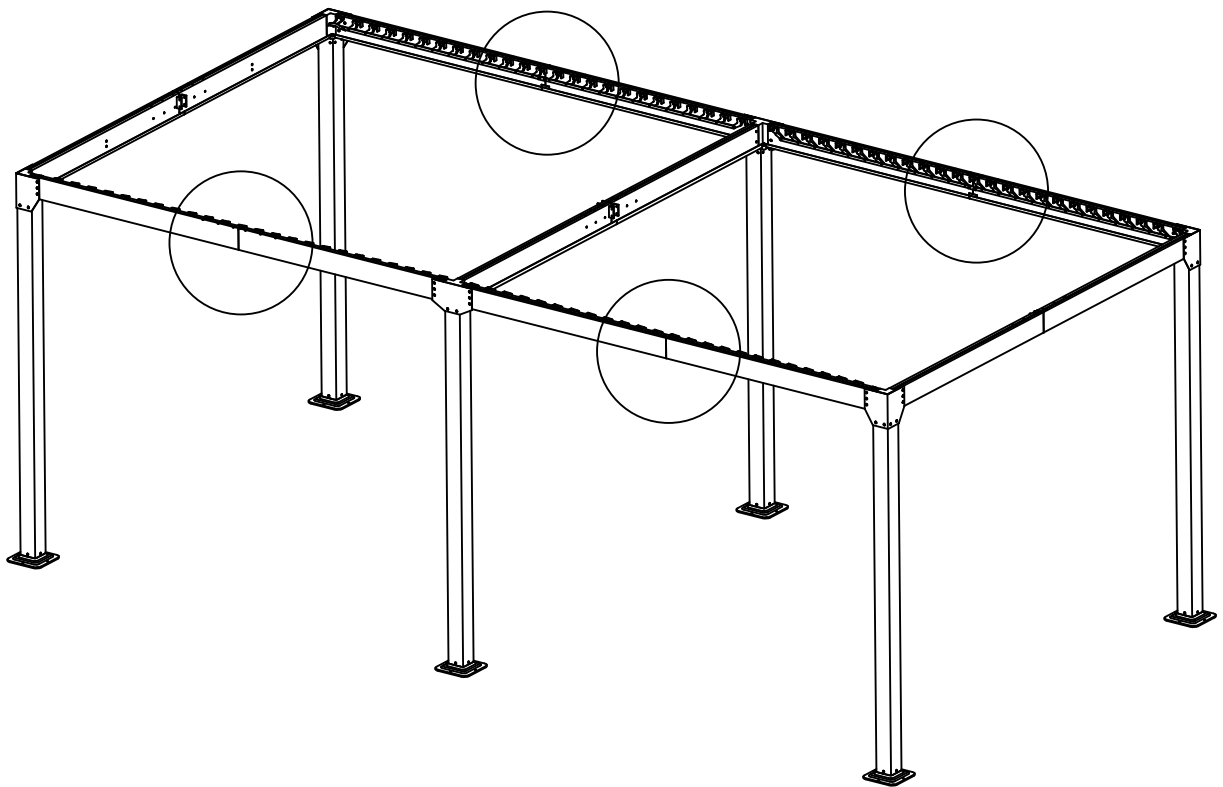
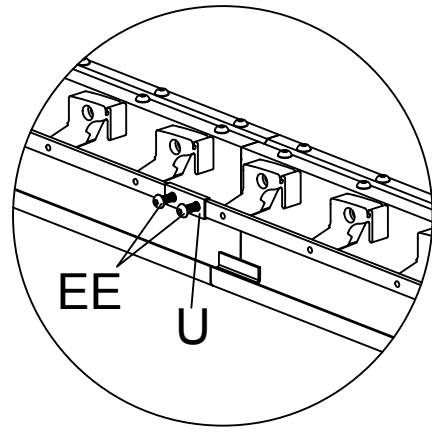
17



S	8		PP	1	
---	---	---	----	---	---

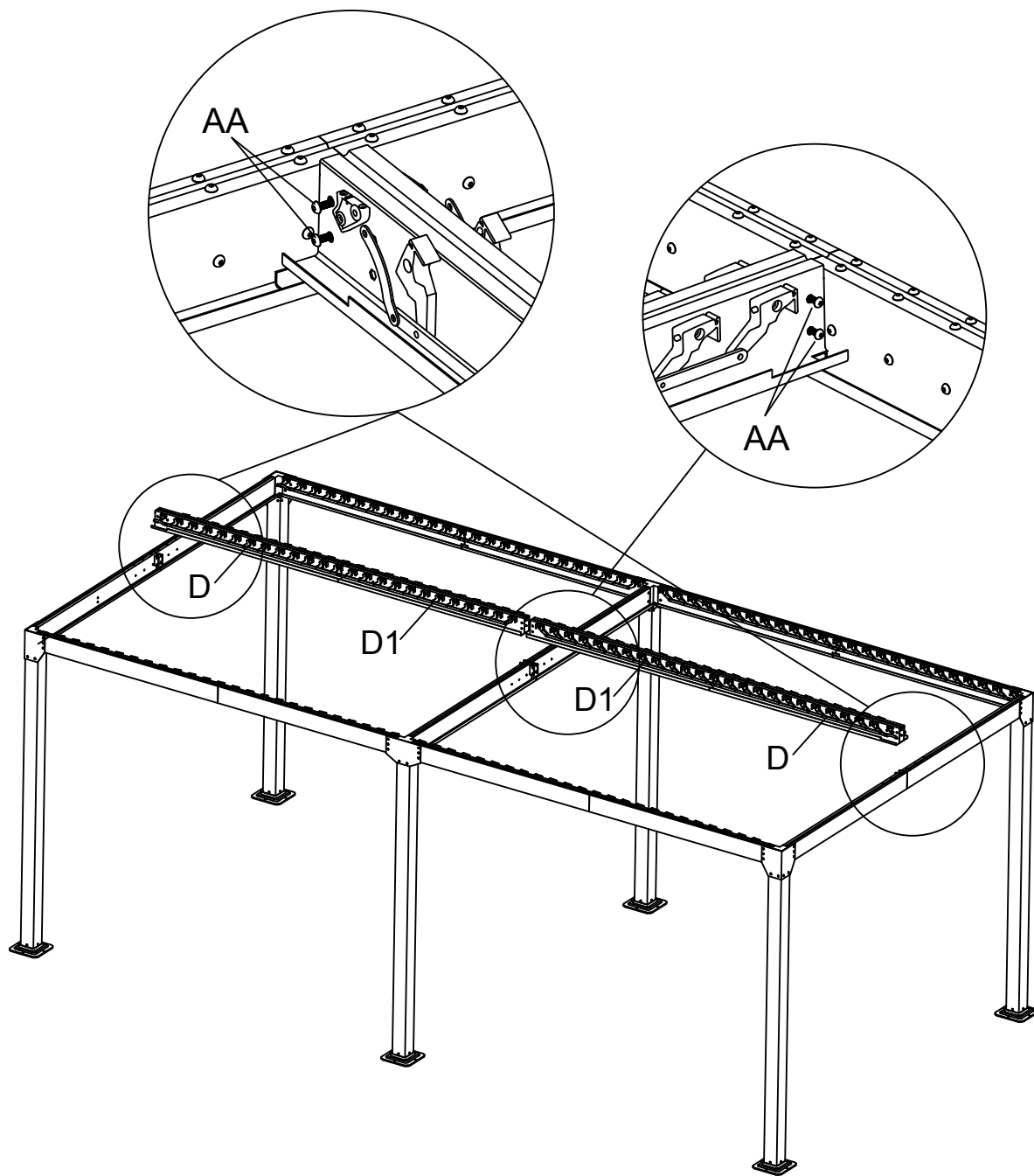


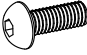
18

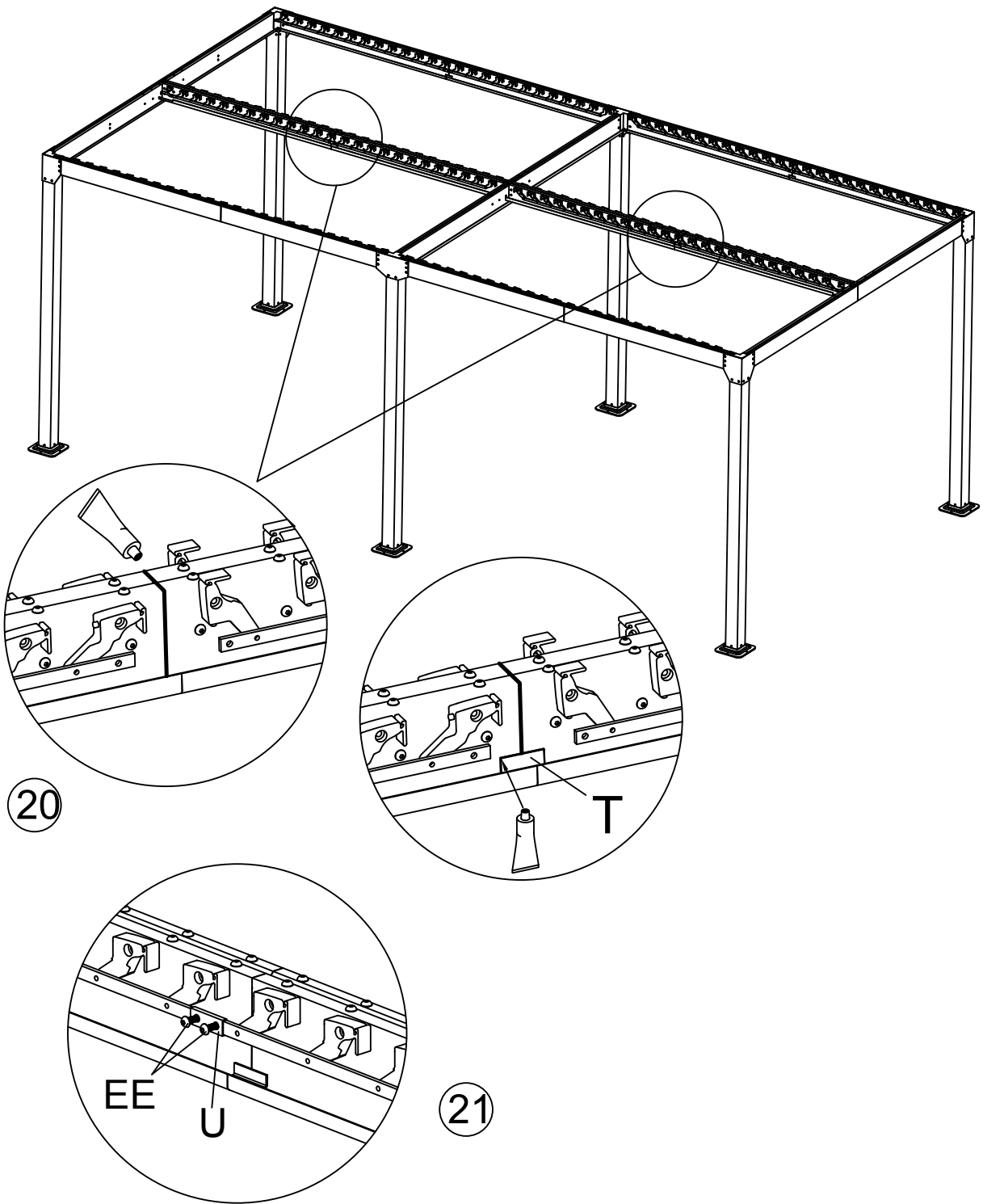






U	4		EE	8	 M6*10
---	---	---	----	---	---

19

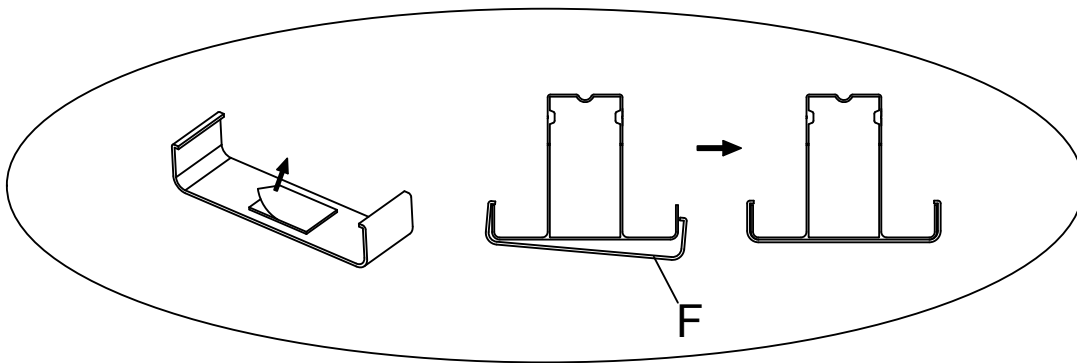
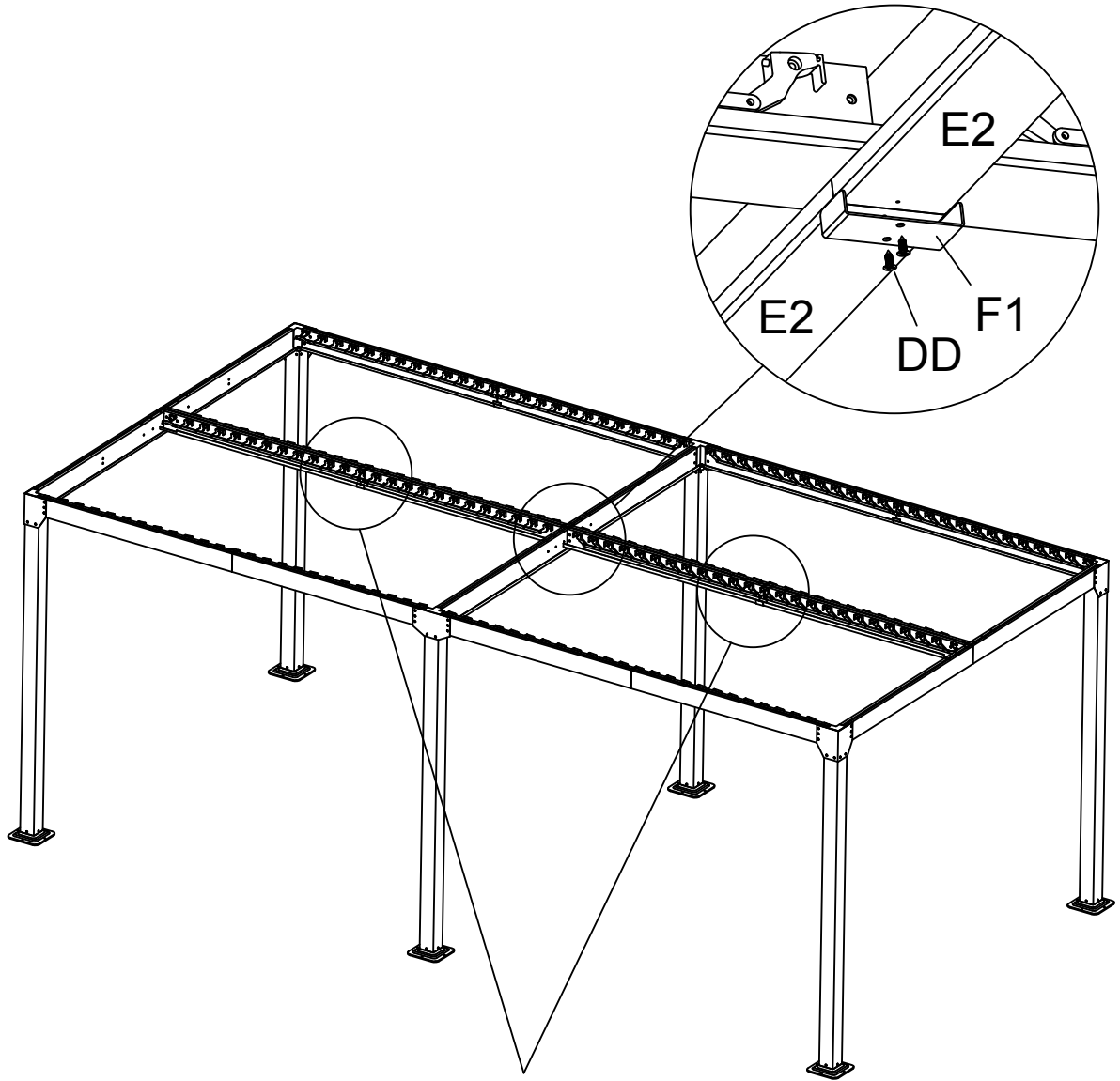


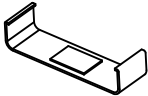
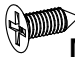
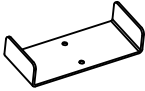
AA	16	 M6*18
----	----	---



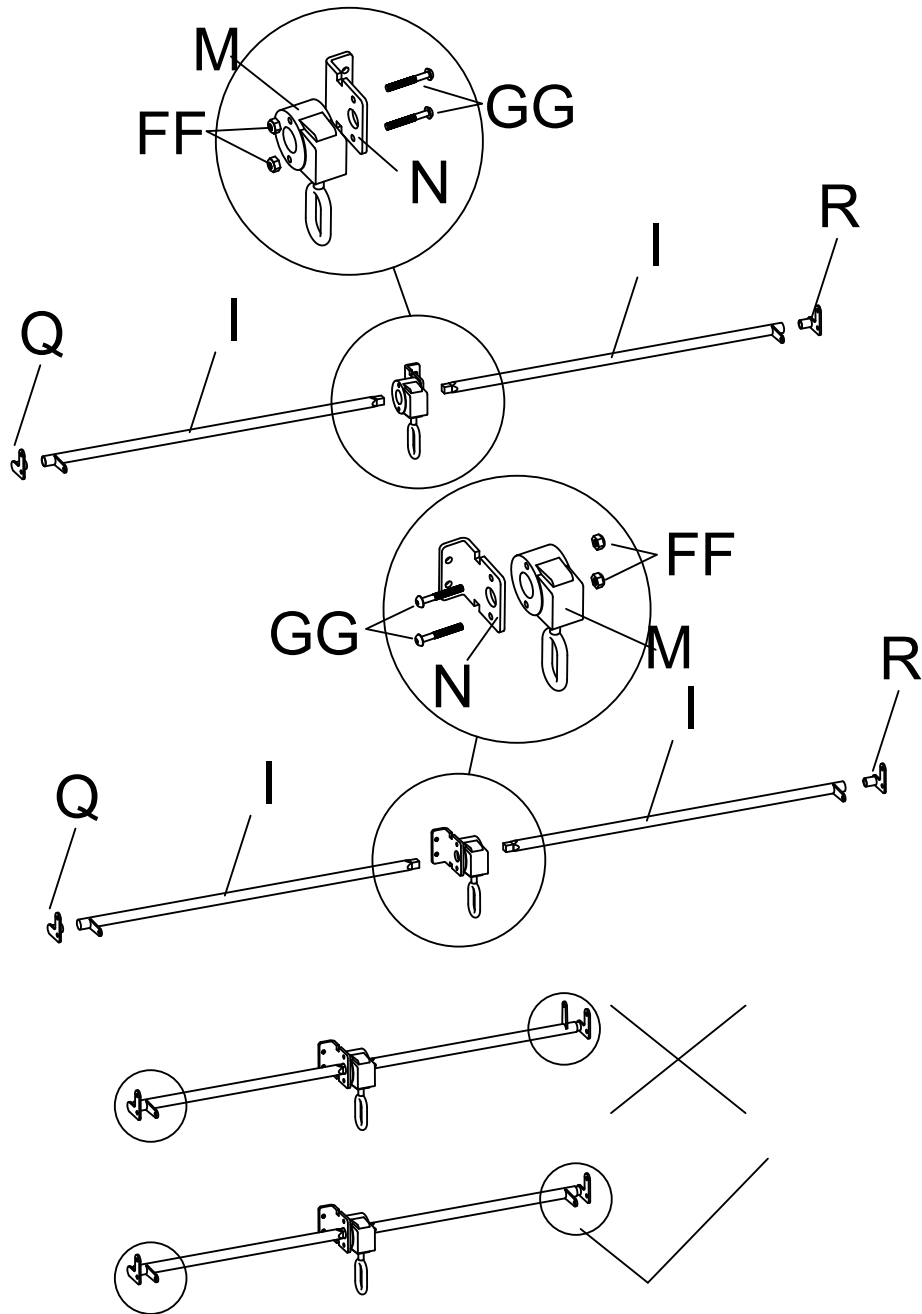
T	4		PP	1	
U	4		EE	8	 M6*10

22



F	2		DD	2	 M4*12
F1	1				

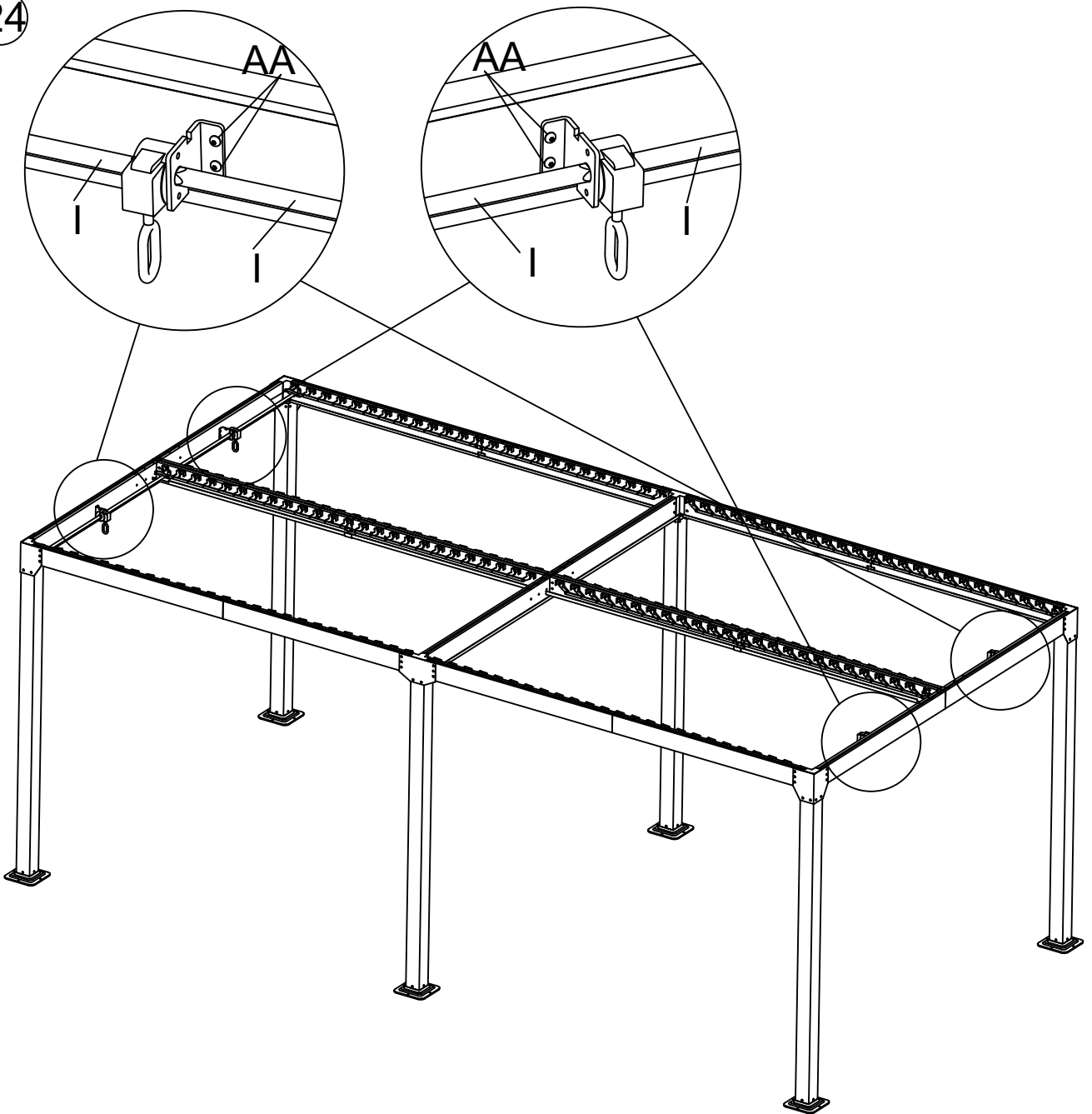
23




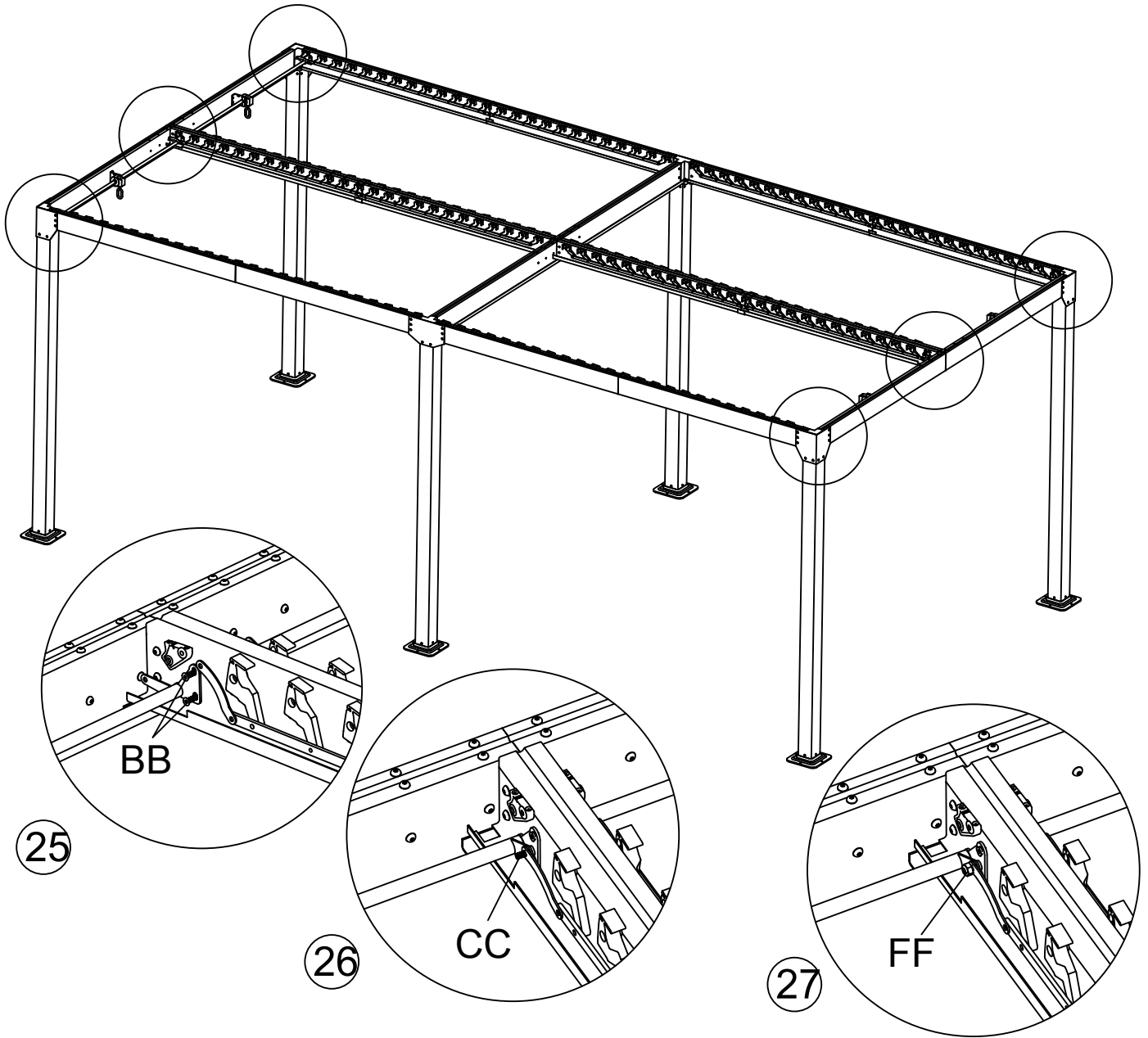
X2

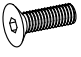

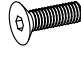
I	8		M	4	
Q	4		N	4	
R	4		GG	8	M6*40
FF	8	M6			

24

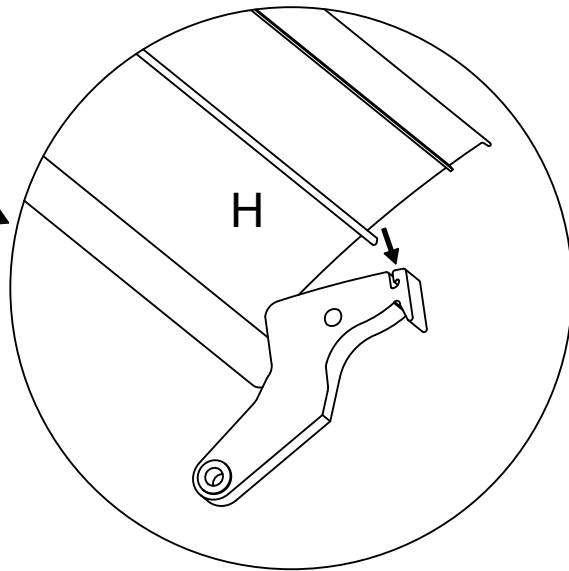
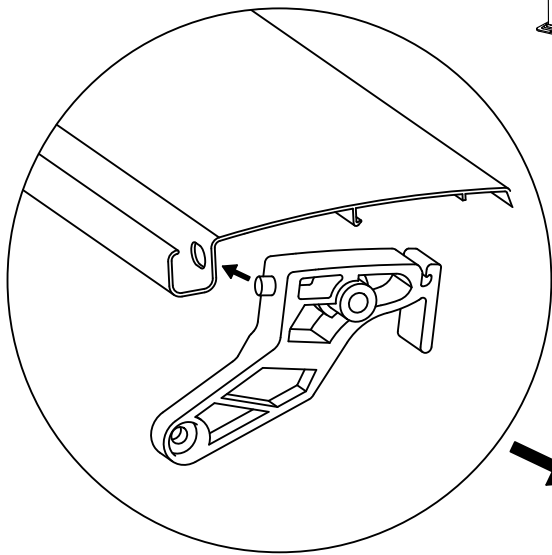
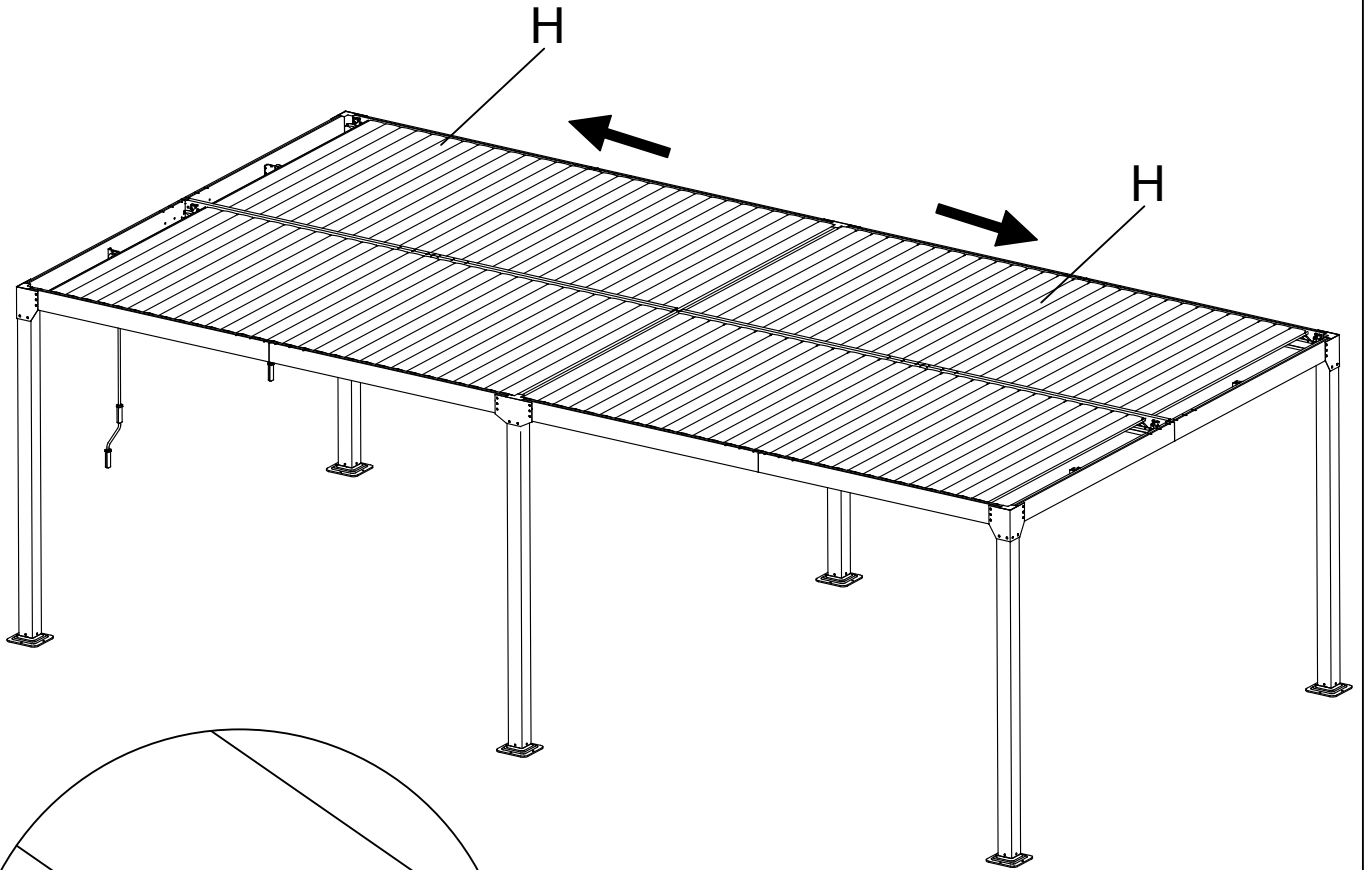


AA	8	 M6*18
----	---	---



BB	16	 M6*15	FF	8	 M6
CC	8	 M6*13			

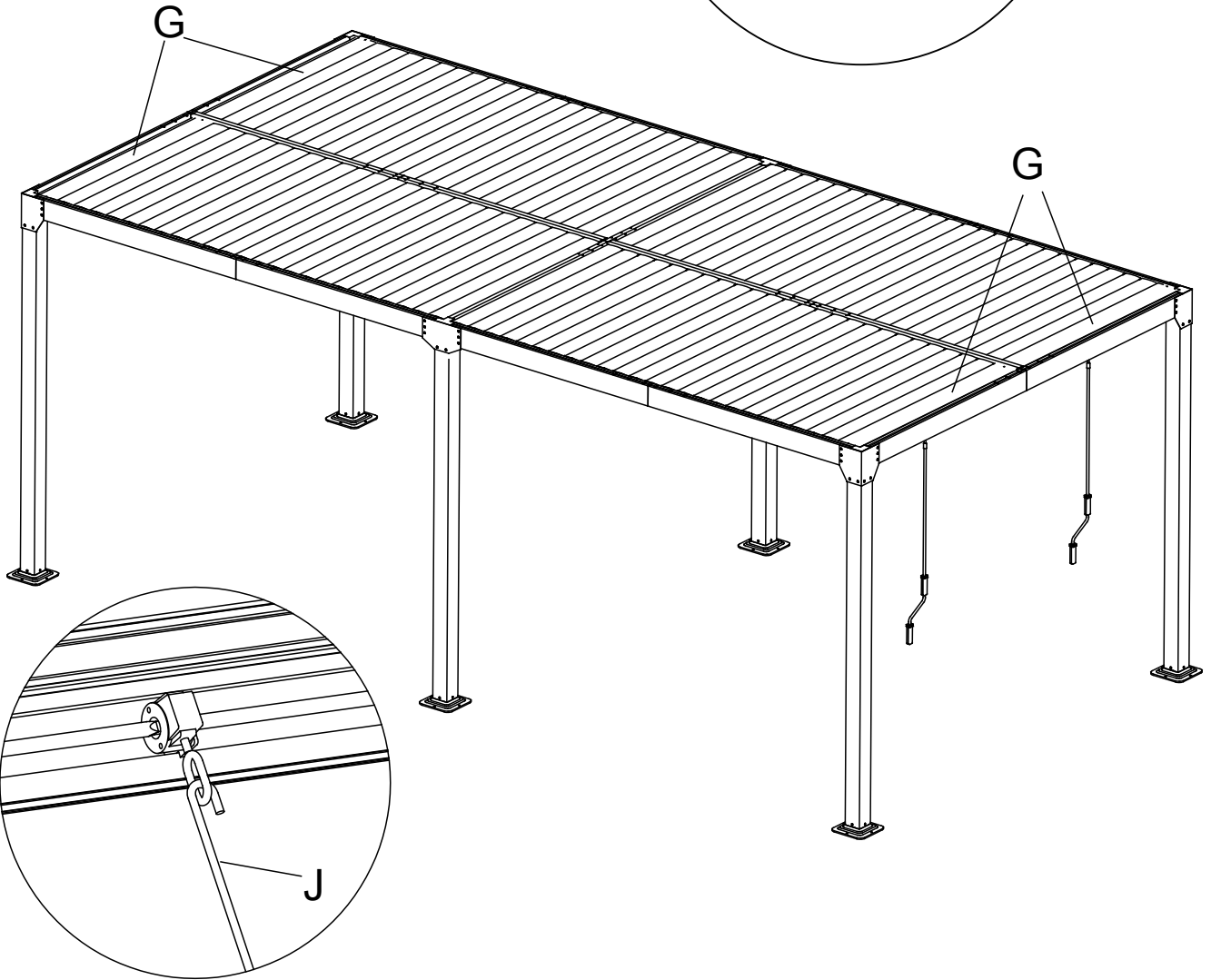
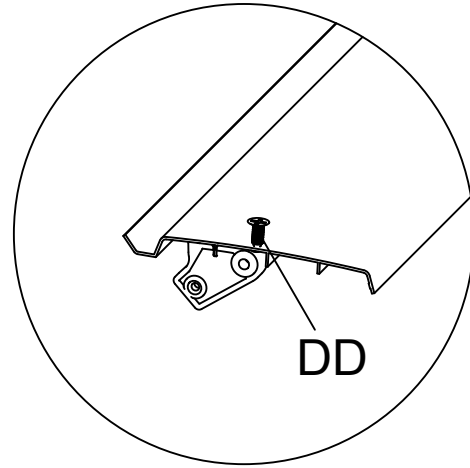
28



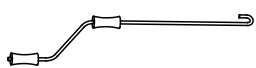


H	120	
---	-----	--

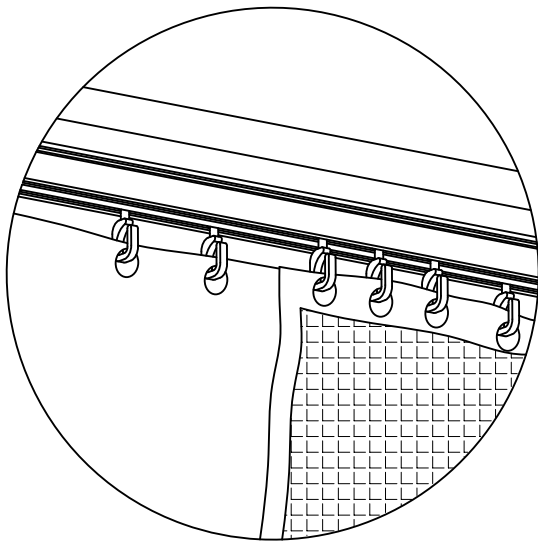
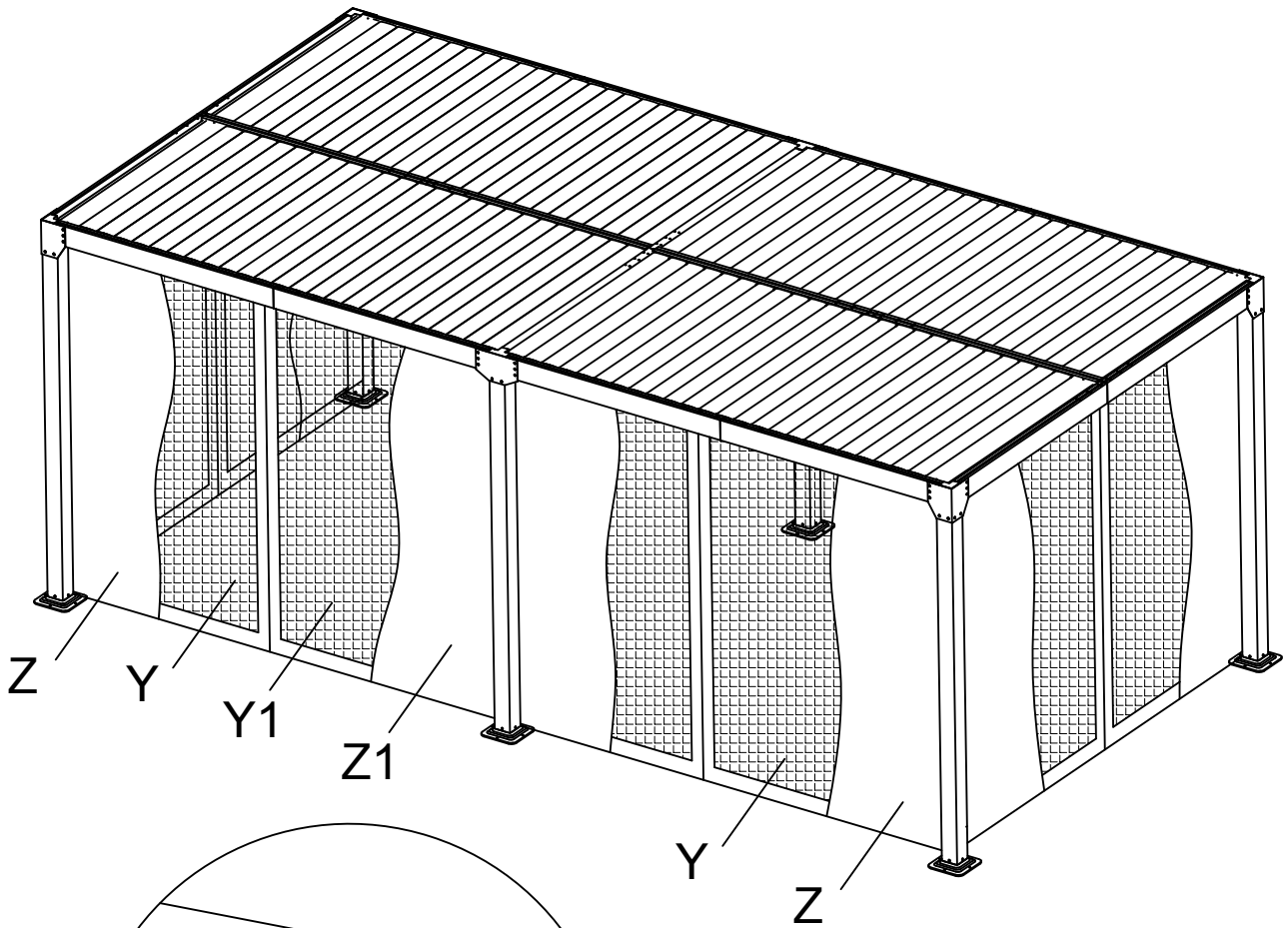


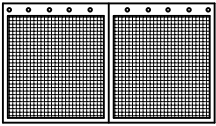
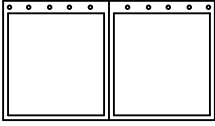
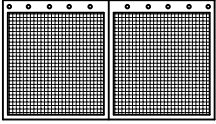
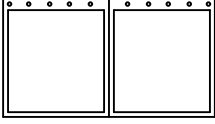
29



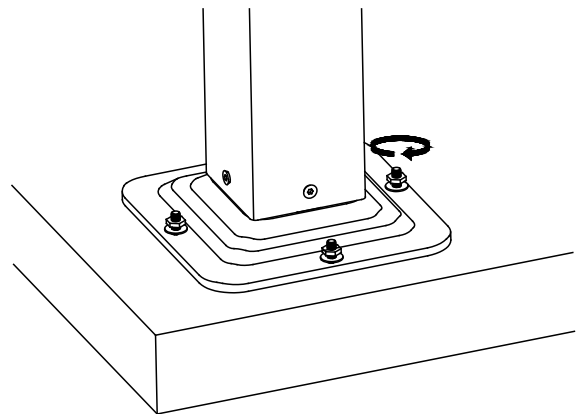
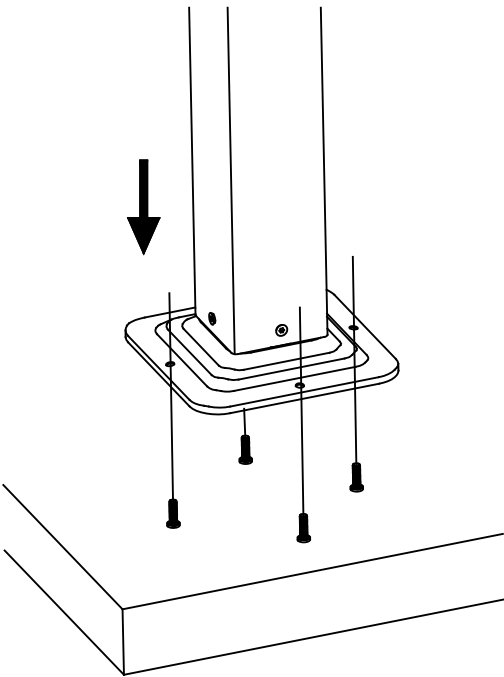
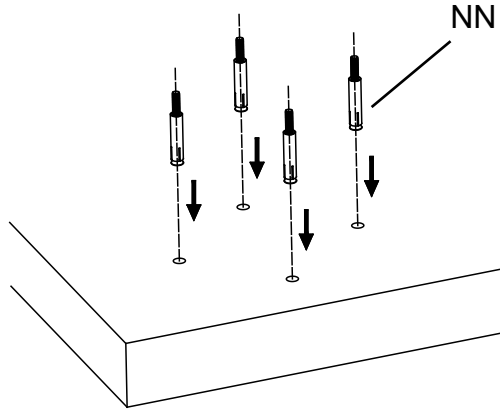
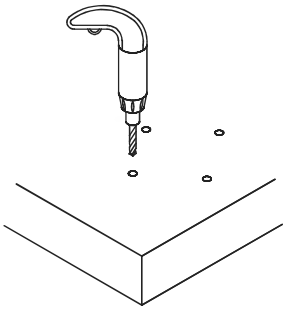
G	4		DD	8	 M4*12
J	2				

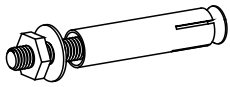
30



Y	4		Z	4	
Y1	2		Z1	2	

31



NN	24	
----	----	---